



US00D674262S

(12) **United States Design Patent**
Dressel et al.

(10) **Patent No.:** **US D674,262 S**
(45) **Date of Patent:** **** Jan. 15, 2013**

(54) **CYLINDRICAL MARKING DEVICE**

(75) Inventors: **Bruce B. Dressel**, Aylett, VA (US);
Marshall V. C. Dressel, Everson, WA (US)

(73) Assignee: **Dressel Designs, LLC**, Everson, WA (US)

(**) Term: **14 Years**

(21) Appl. No.: **29/388,835**

(22) Filed: **Apr. 1, 2011**

(51) **LOC (9) Cl.** **10-04**

(52) **U.S. Cl.** **D8/64**

(58) **Field of Classification Search** D8/14,
D8/45; D10/61, 64-65; 33/528, 562, 565-566,
33/574-579, 644, 669

See application file for complete search history.

(56) **References Cited**

U.S. PATENT DOCUMENTS

1,222,961	A *	4/1917	Maker	30/446
1,260,226	A *	3/1918	Maker	30/446
2,775,812	A	1/1957	Mohr	
2,809,440	A *	10/1957	Schlage	33/197
2,887,776	A *	5/1959	Eisner	33/528
2,898,688	A	8/1959	Cottar	
3,940,857	A	3/1976	Giordano	
D242,903	S *	1/1977	Benoit	D10/64
D242,904	S *	1/1977	Benoit	D10/64
4,059,905	A *	11/1977	Wieting	33/528
4,259,785	A *	4/1981	Wortham	33/528
4,589,211	A *	5/1986	Policka	33/669
4,802,284	A *	2/1989	Jackson	33/528
4,837,942	A *	6/1989	Watts	33/666
5,040,304	A *	8/1991	Jackson	33/528
5,103,695	A *	4/1992	Dolle et al.	81/53.11
5,136,788	A *	8/1992	Jackson	33/528
5,157,844	A	10/1992	Mallison et al.	
5,172,483	A *	12/1992	Yocono et al.	33/528
D374,320	S *	10/1996	Grande	D32/35
6,055,736	A *	5/2000	Gaston	33/528

(Continued)

OTHER PUBLICATIONS

Rockers Stub-Out Clip. Downloaded at <http://www.dresseldesigns.com/Products.html> on Sep. 8, 2012.*

(Continued)

Primary Examiner — Philip S Hyder

Assistant Examiner — Roselynn Cody

(74) *Attorney, Agent, or Firm* — Seed IP Law Group PLLC

(57) **CLAIM**

The ornamental design for a cylindrical marking device, as shown and described.

DESCRIPTION

FIG. 1 is a top isometric view of an embodiment of a cylindrical marking device.

FIG. 2 is a bottom isometric view of the cylindrical marking device of FIG. 1.

FIG. 3 is a top plan view of the cylindrical marking device of FIG. 1.

FIG. 4 is a bottom plan view of the cylindrical marking device of FIG. 1.

FIG. 5 is a front elevational view of the cylindrical marking device of FIG. 1.

FIG. 6 is a top isometric view of an alternative embodiment of a cylindrical marking device.

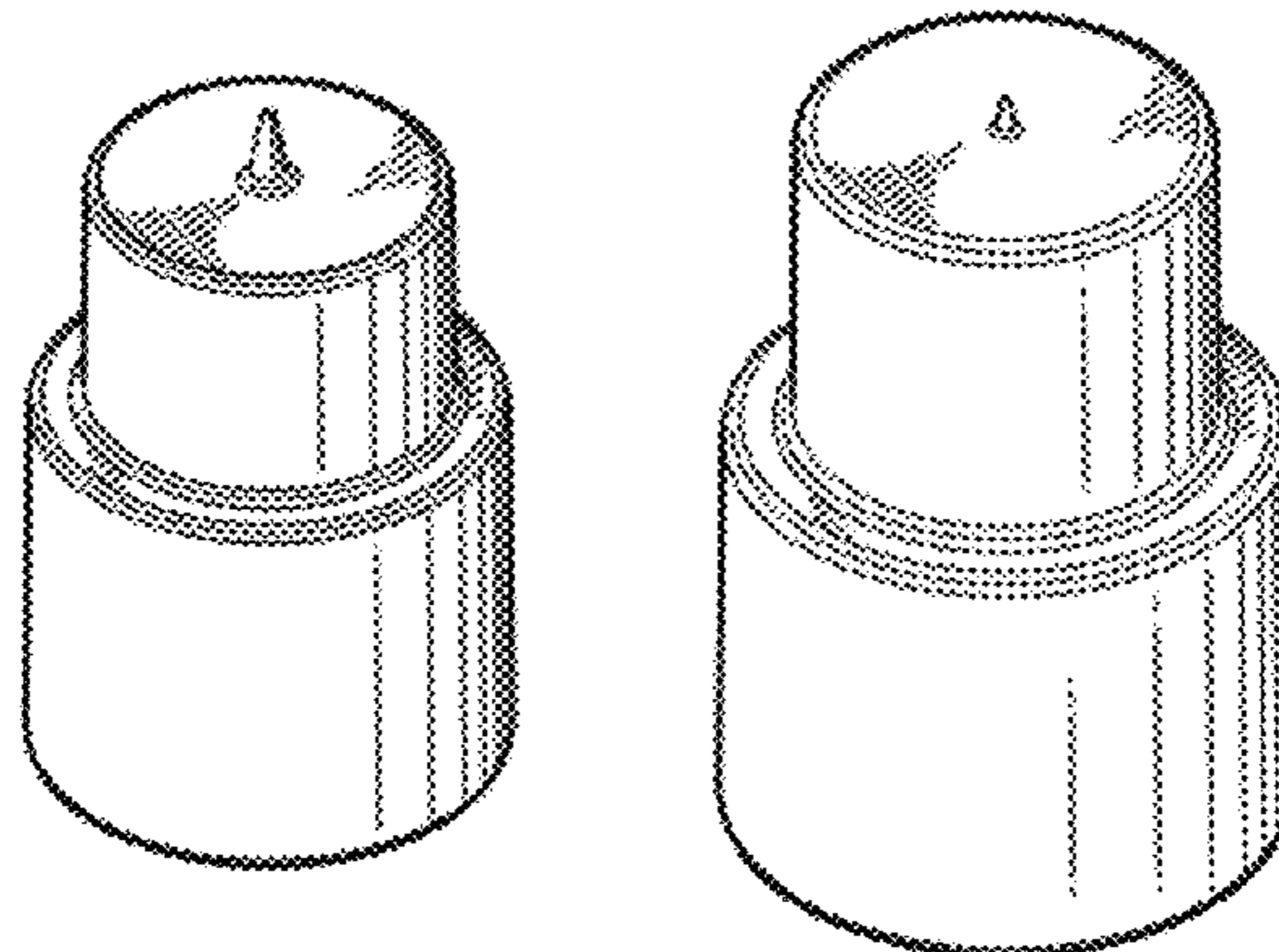
FIG. 7 is a bottom isometric view of the cylindrical marking device of FIG. 6.

FIG. 8 is a top plan view of the cylindrical marking device of FIG. 6.

FIG. 9 is a bottom plan view of the cylindrical marking device of FIG. 6; and,

FIG. 10 is a front elevational view of the cylindrical marking device of FIG. 6.

1 Claim, 2 Drawing Sheets



US D674,262 S

Page 2

U.S. PATENT DOCUMENTS

6,101,731 A 8/2000 Mesa
6,289,594 B1 * 9/2001 Wrobbel 33/42
D456,287 S * 4/2002 Ferruggia D10/64
6,463,668 B1 * 10/2002 Williams 33/528
6,467,174 B1 * 10/2002 Kotori 30/293
D484,013 S * 12/2003 Alverson, Jr. D8/14
6,938,354 B2 * 9/2005 Worthington 33/668
6,944,962 B2 * 9/2005 Tessel et al. 33/414
6,952,887 B2 * 10/2005 Muchnik 33/666

7,572,978 B1 * 8/2009 Keith, Jr. 174/58
7,891,108 B1 * 2/2011 Cordobes 33/528
D636,645 S * 4/2011 Bell D8/14

OTHER PUBLICATIONS

HandyMark Drywall Tool, URL=<http://www.handymark.net>, download date Apr. 1, 2011, 1 page.

* cited by examiner

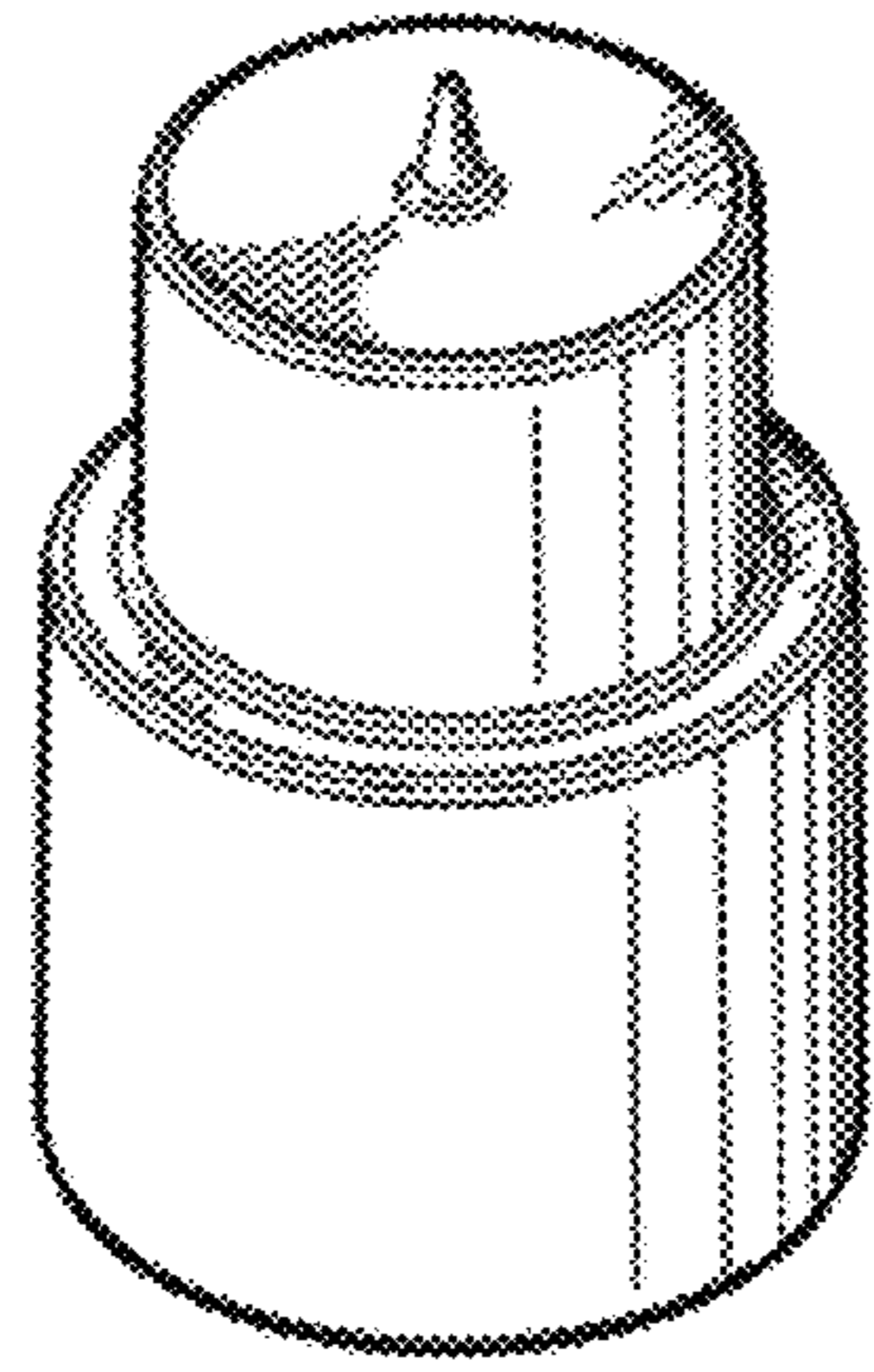


FIG. 1

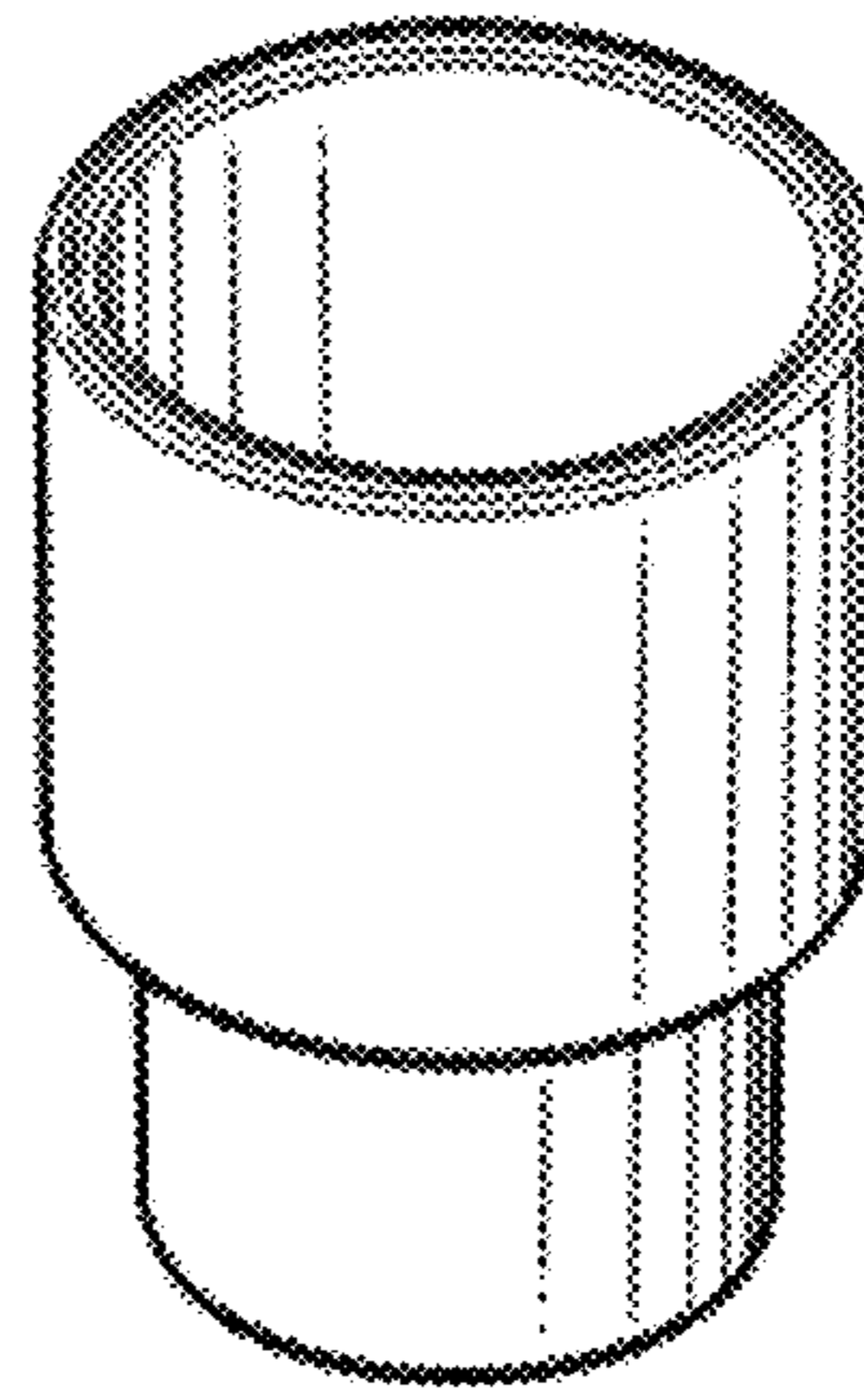


FIG. 2

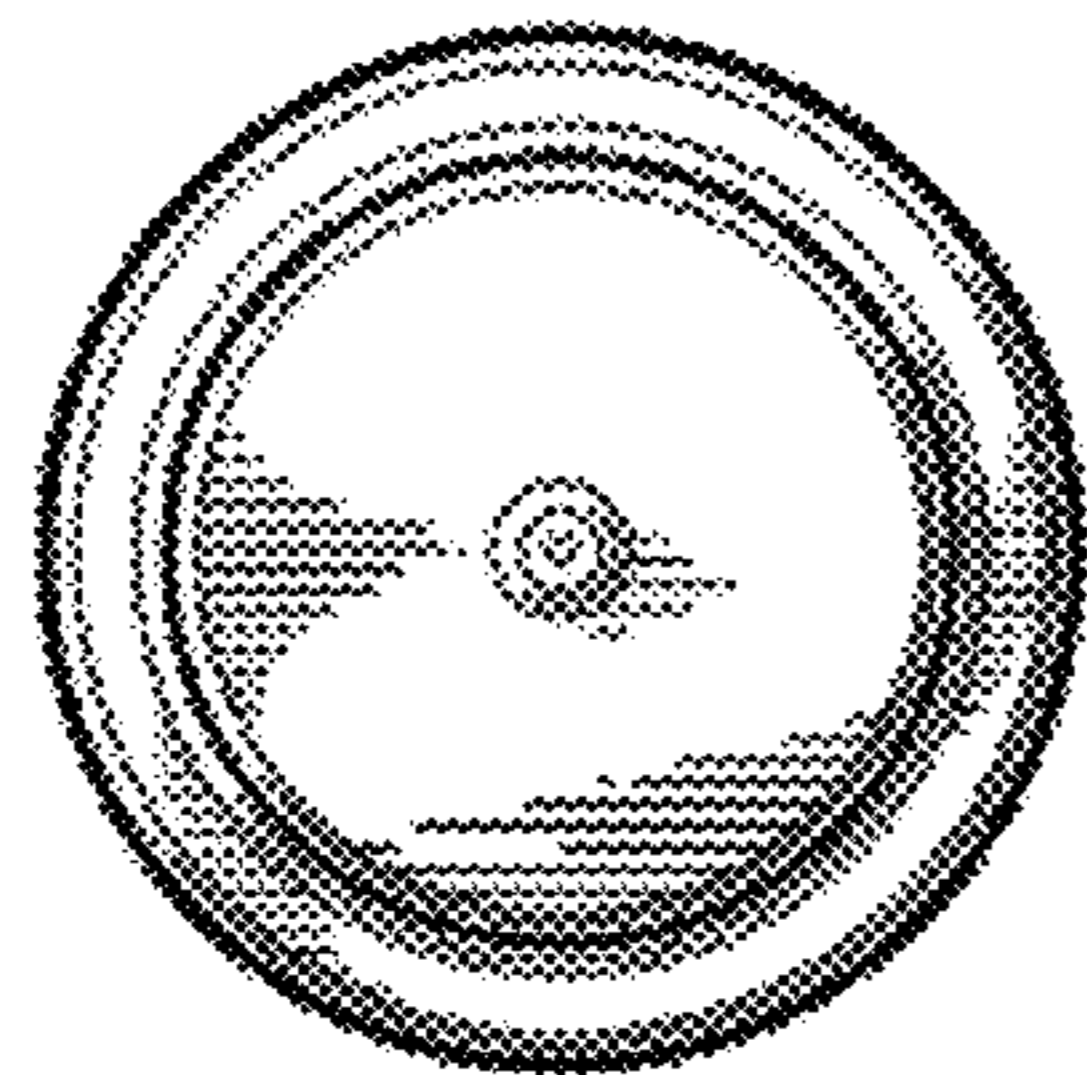


FIG. 3

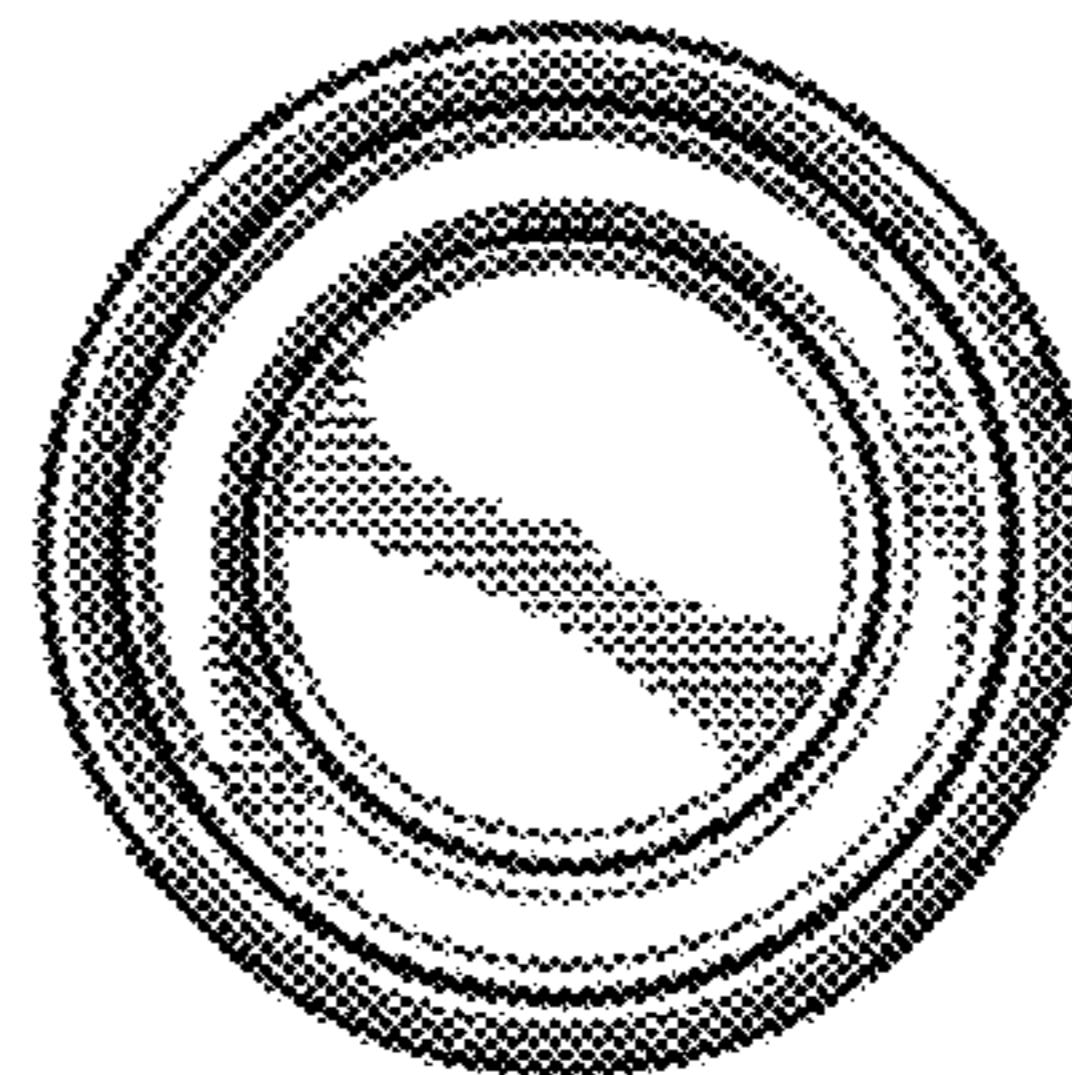


FIG. 4

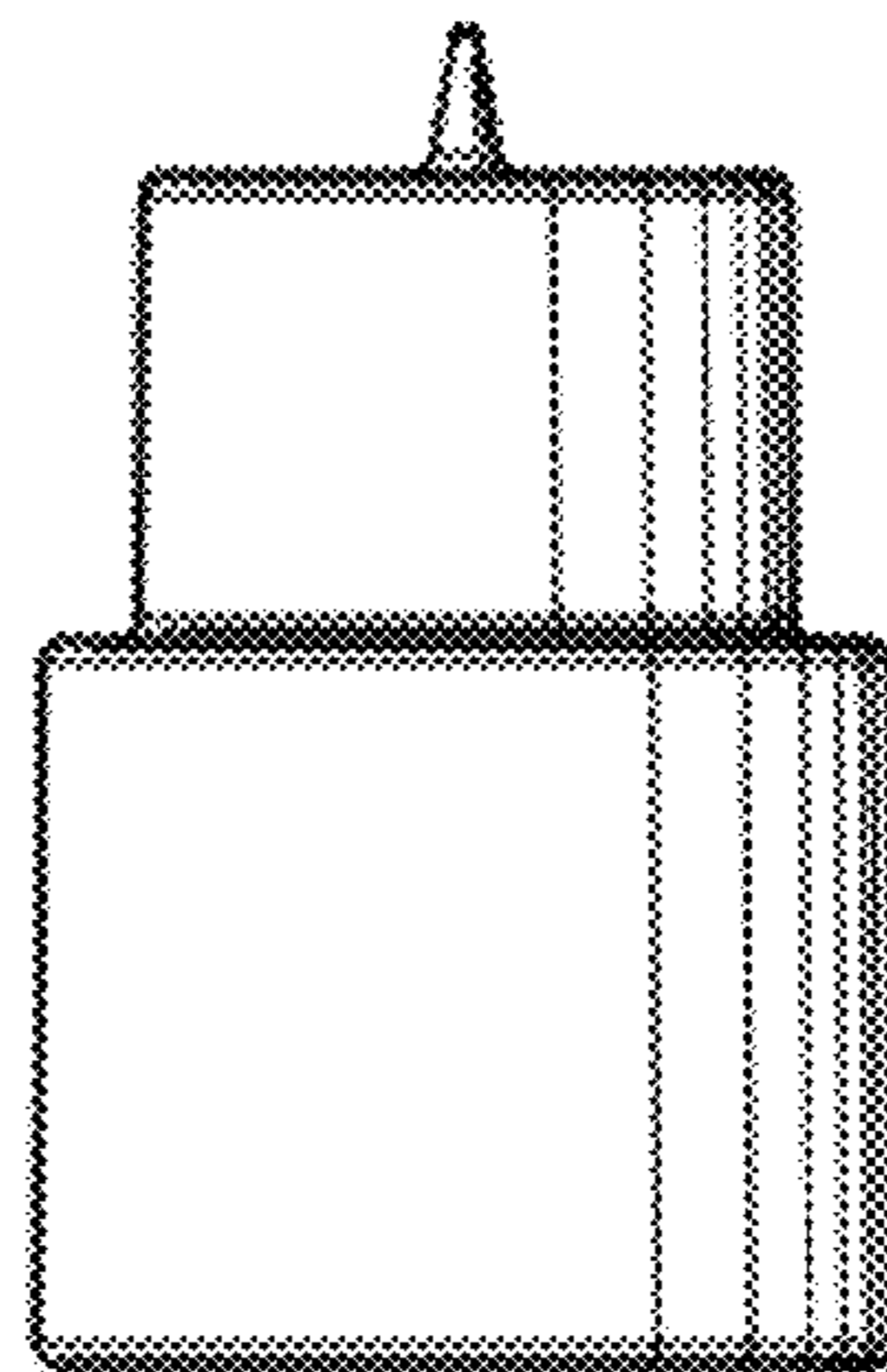


FIG. 5

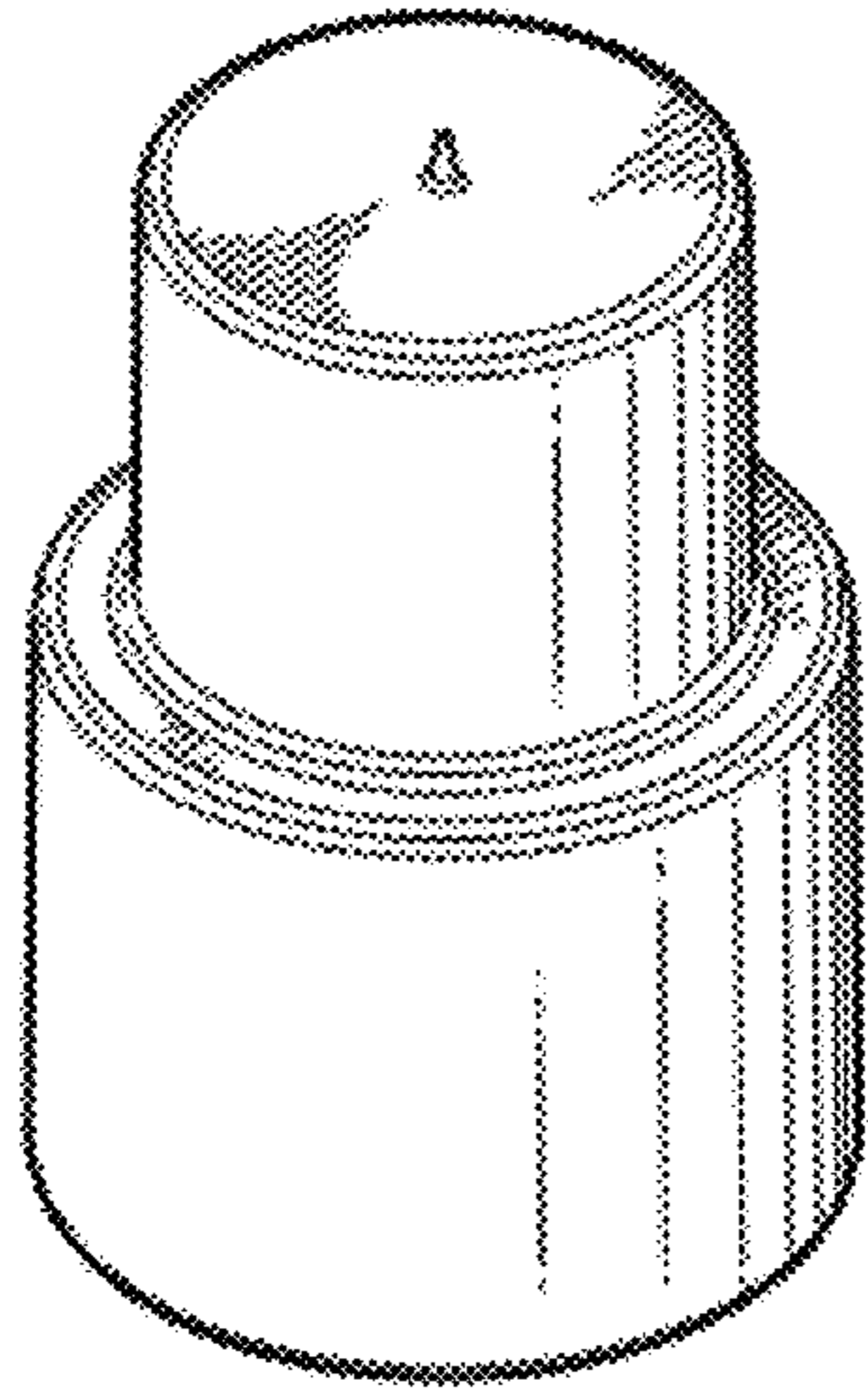


FIG. 6

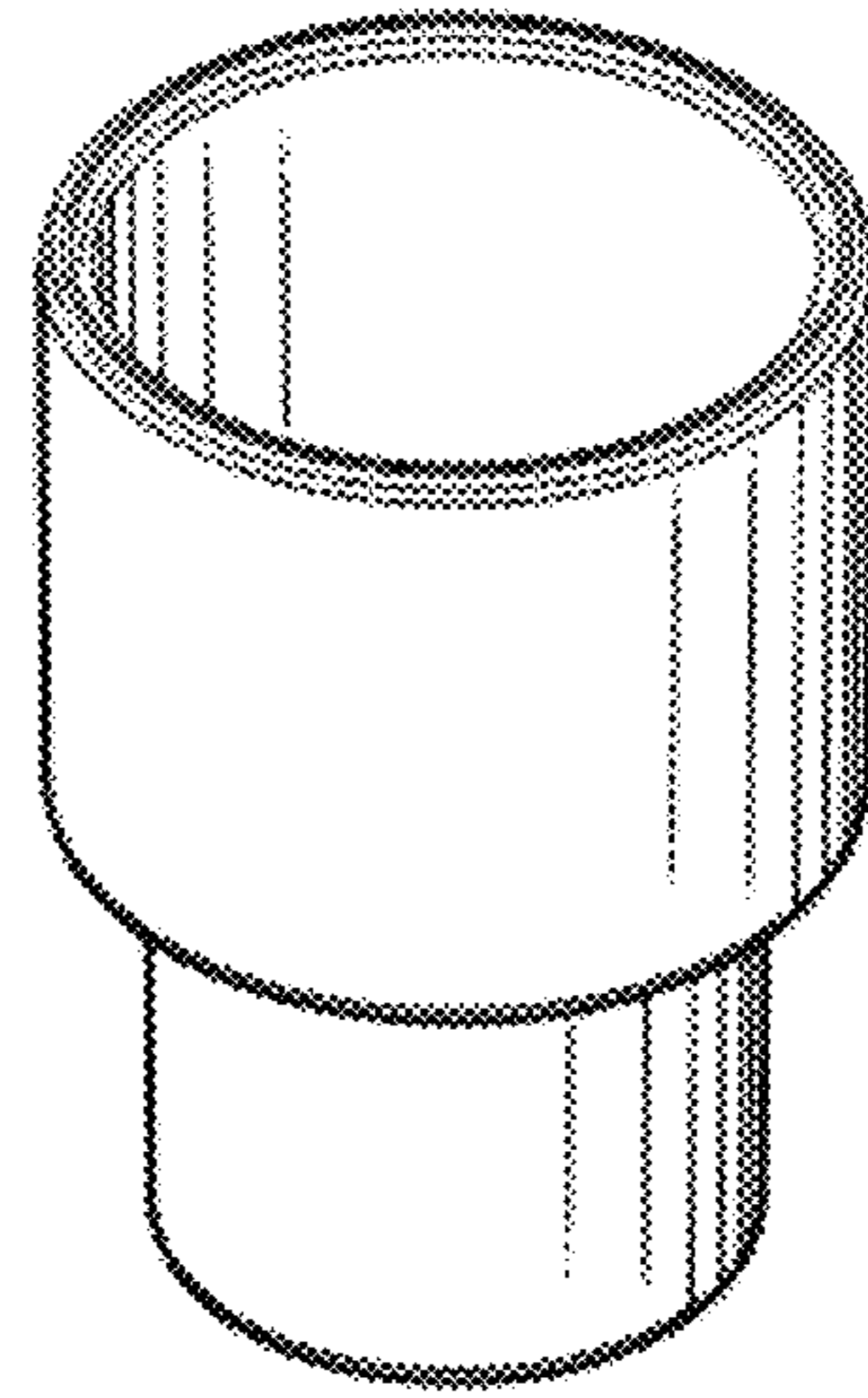


FIG. 7

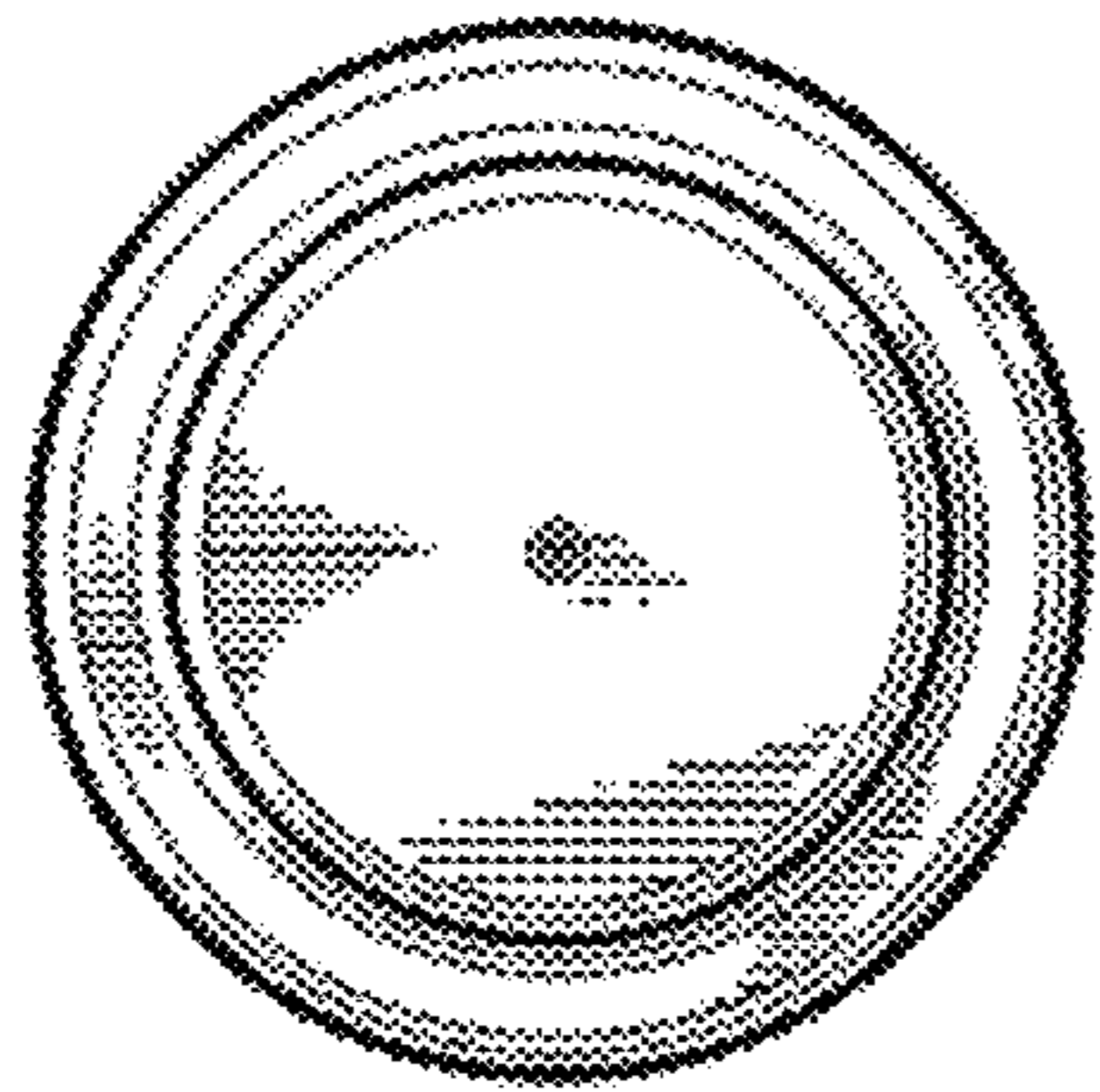


FIG. 8

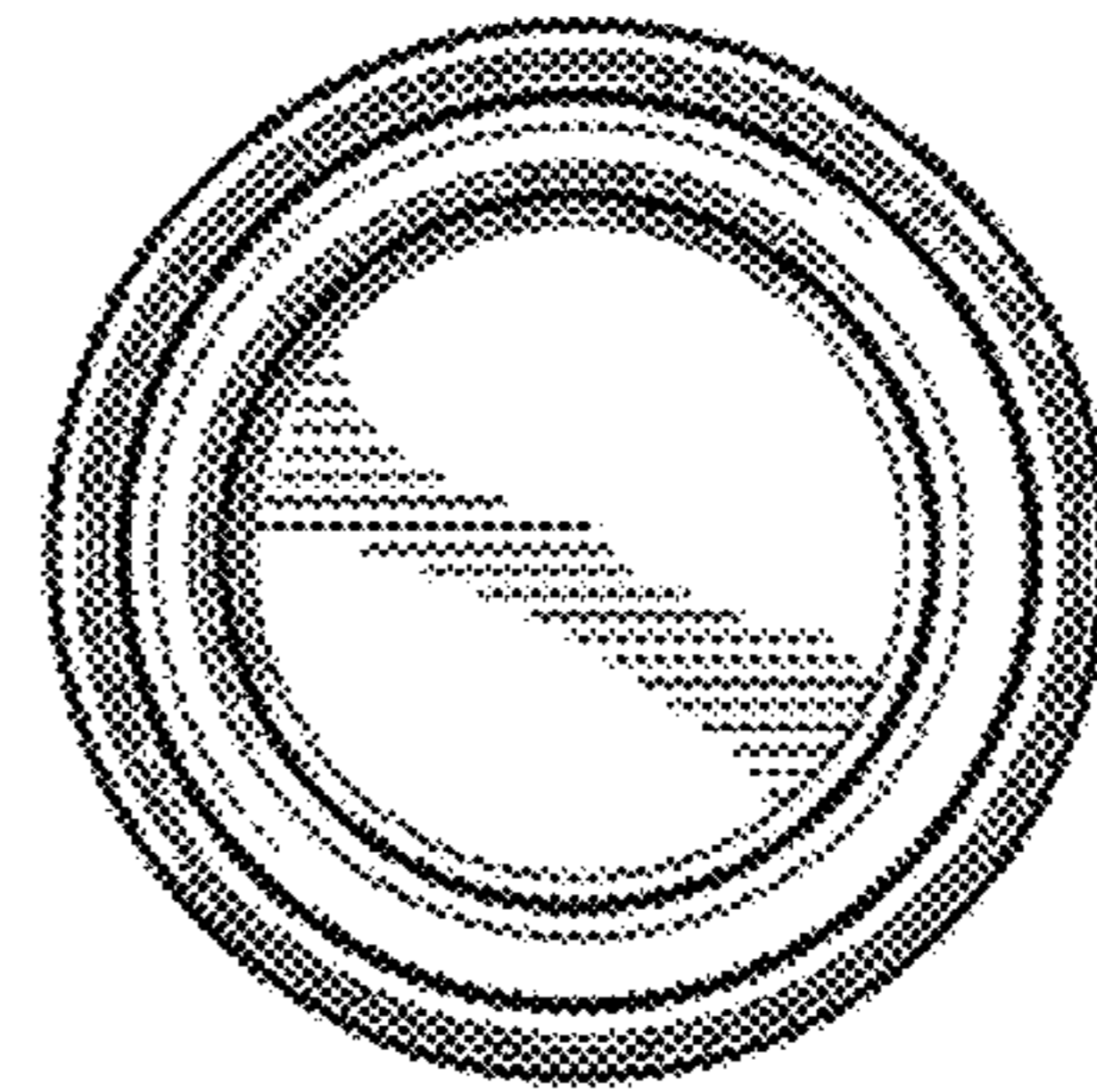


FIG. 9

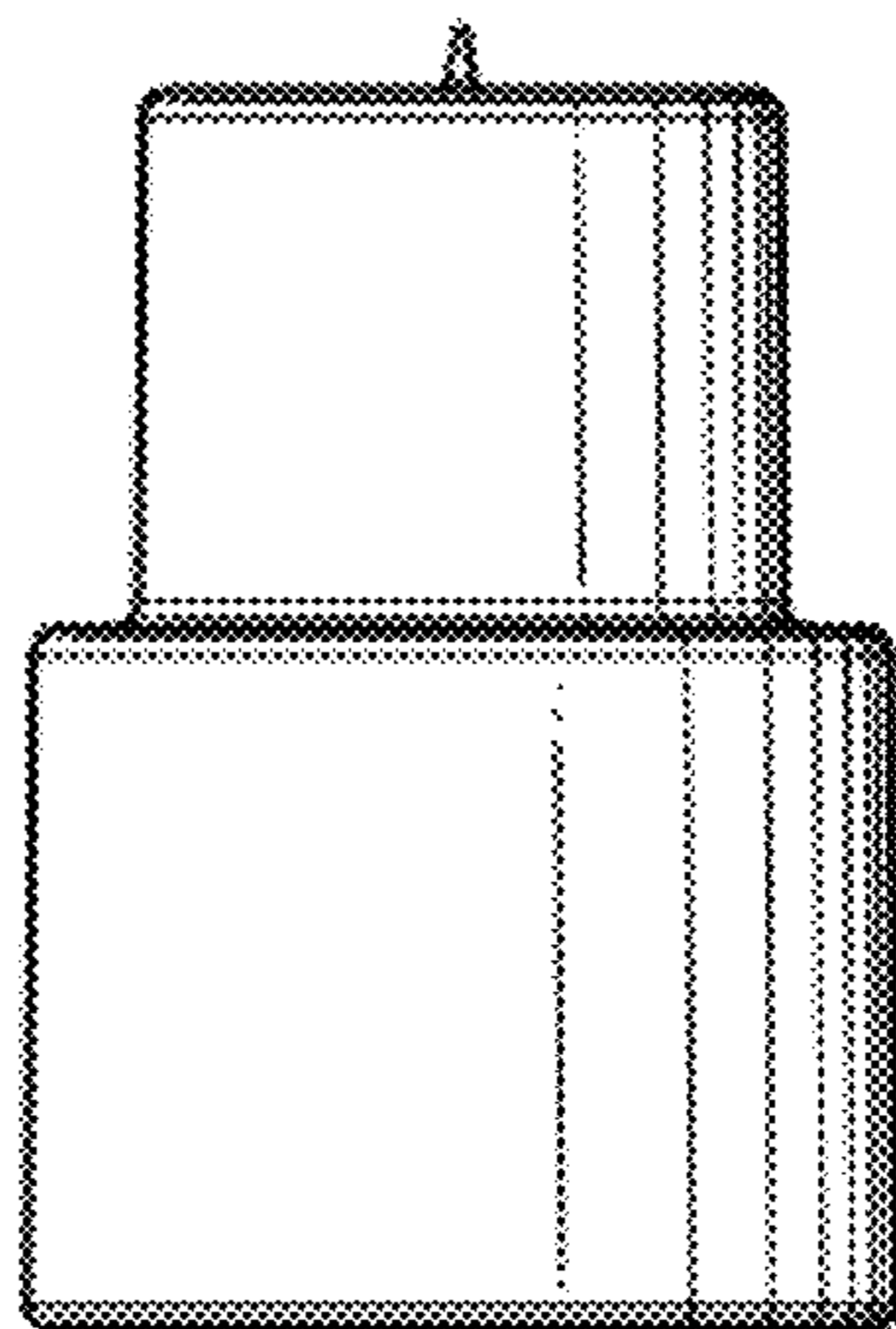


FIG. 10