



US00D674261S

(12) **United States Design Patent**
Aoi

(10) **Patent No.:** **US D674,261 S**
(45) **Date of Patent:** **** Jan. 15, 2013**

(54) **STAPLER**

(75) Inventor: **Hirokazu Aoi**, Osaka (JP)

(73) Assignee: **Kokuyo Co., Ltd.**, Osaka (JP)

(**) Term: **14 Years**

(21) Appl. No.: **29/400,588**

(22) Filed: **Aug. 30, 2011**

(51) **LOC (9) Cl.** **19-02**

(52) **U.S. Cl.** **D8/50**

(58) **Field of Classification Search** D8/48,
D8/49, 50, 61, 68, 69, 70; D19/72, 73, 65,
D19/69; D21/532; D24/145; 7/158, 160;
227/4, 5, 6, 7, 8, 120, 127, 128, 131, 132,
227/134, 144, 156, 175.1; 606/139, 143,
606/153, 219

See application file for complete search history.

(56) **References Cited**

U.S. PATENT DOCUMENTS

| | | | | |
|--------------|---------|---------------|-------|-------|
| D318,407 S * | 7/1991 | Williams | | D8/50 |
| D320,147 S * | 9/1991 | Mayo et al. | | D8/50 |
| D392,858 S | 3/1998 | Jacquet | | |
| D502,850 S * | 3/2005 | Sauter et al. | | D8/50 |
| D514,904 S * | 2/2006 | Sauter et al. | | D8/50 |
| D529,773 S * | 10/2006 | Harris et al. | | D8/50 |
| D531,866 S * | 11/2006 | Harris et al. | | D8/50 |
| D537,689 S * | 3/2007 | Kent et al. | | D8/50 |

| | | | | |
|--------------|---------|-------------------|-------|-------|
| D558,012 S * | 12/2007 | Balma | | D8/50 |
| D570,170 S * | 6/2008 | Kent et al. | | D8/50 |
| D579,295 S * | 10/2008 | Cunningham et al. | | D8/50 |
| D597,391 S * | 8/2009 | Cunningham et al. | | D8/50 |
| D605,483 S * | 12/2009 | Cedar | | D8/50 |
| D606,826 S * | 12/2009 | Marks et al. | | D8/50 |
| D622,570 S * | 8/2010 | Miyagi et al. | | D8/50 |

FOREIGN PATENT DOCUMENTS

| | | |
|----|----------|---------|
| JP | D1101420 | 2/2001 |
| JP | D1398926 | 10/2010 |

* cited by examiner

Primary Examiner — Austin Murphy

(74) *Attorney, Agent, or Firm* — Dennis R. Haszko

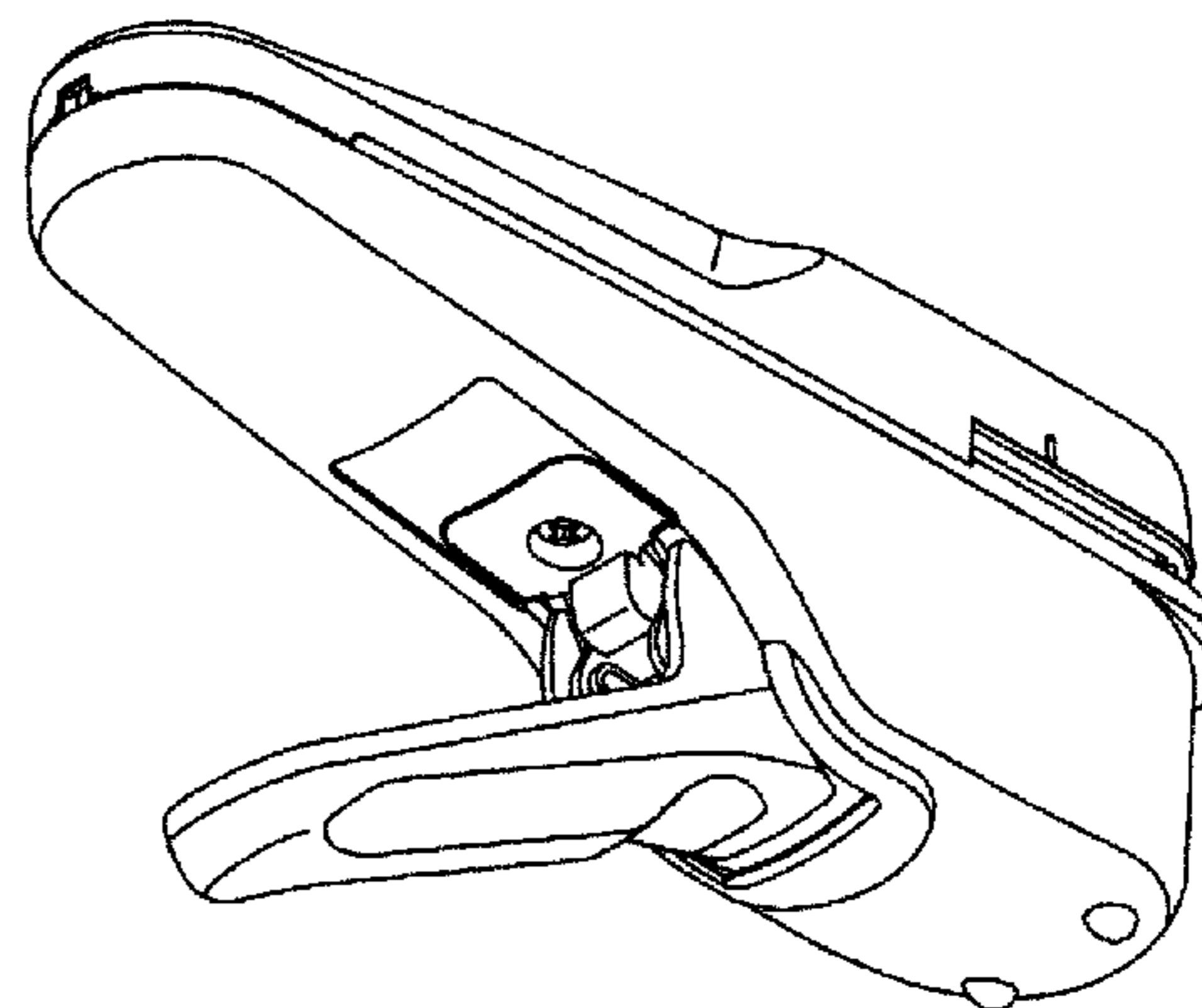
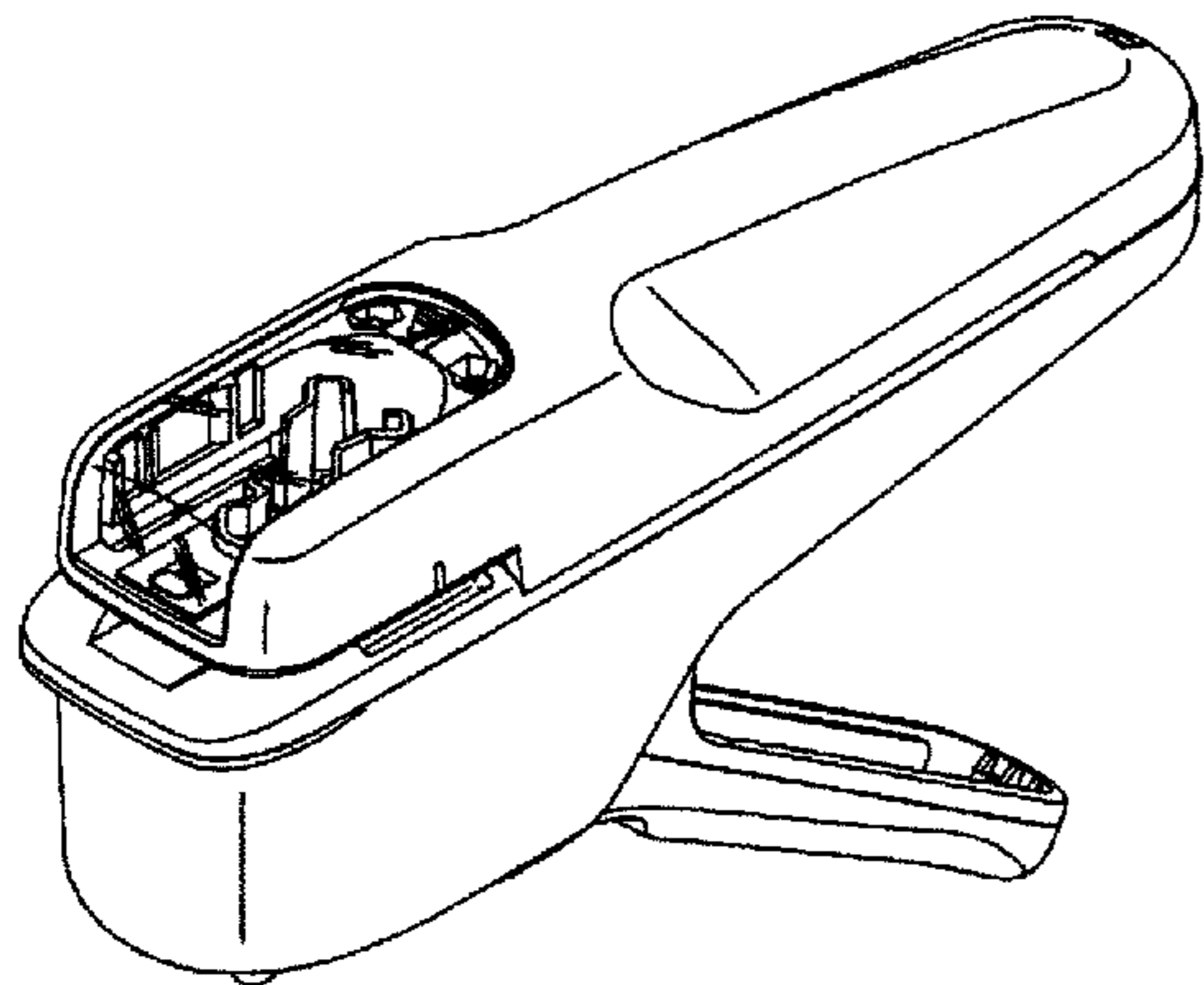
(57) **CLAIM**

The ornamental design for a stapler, as shown and described.

DESCRIPTION

FIG. 1 is a top perspective view of the stapler;
FIG. 2 is a bottom perspective view thereof;
FIG. 3 is a front view thereof;
FIG. 4 is a rear view thereof;
FIG. 5 is a plan view thereof;
FIG. 6 is a bottom view thereof;
FIG. 7 is a right side view thereof;
FIG. 8 is a left side view thereof; and,
FIG. 9 is a cross-sectional view thereof along line 9-9 of FIG. 3.

1 Claim, 7 Drawing Sheets



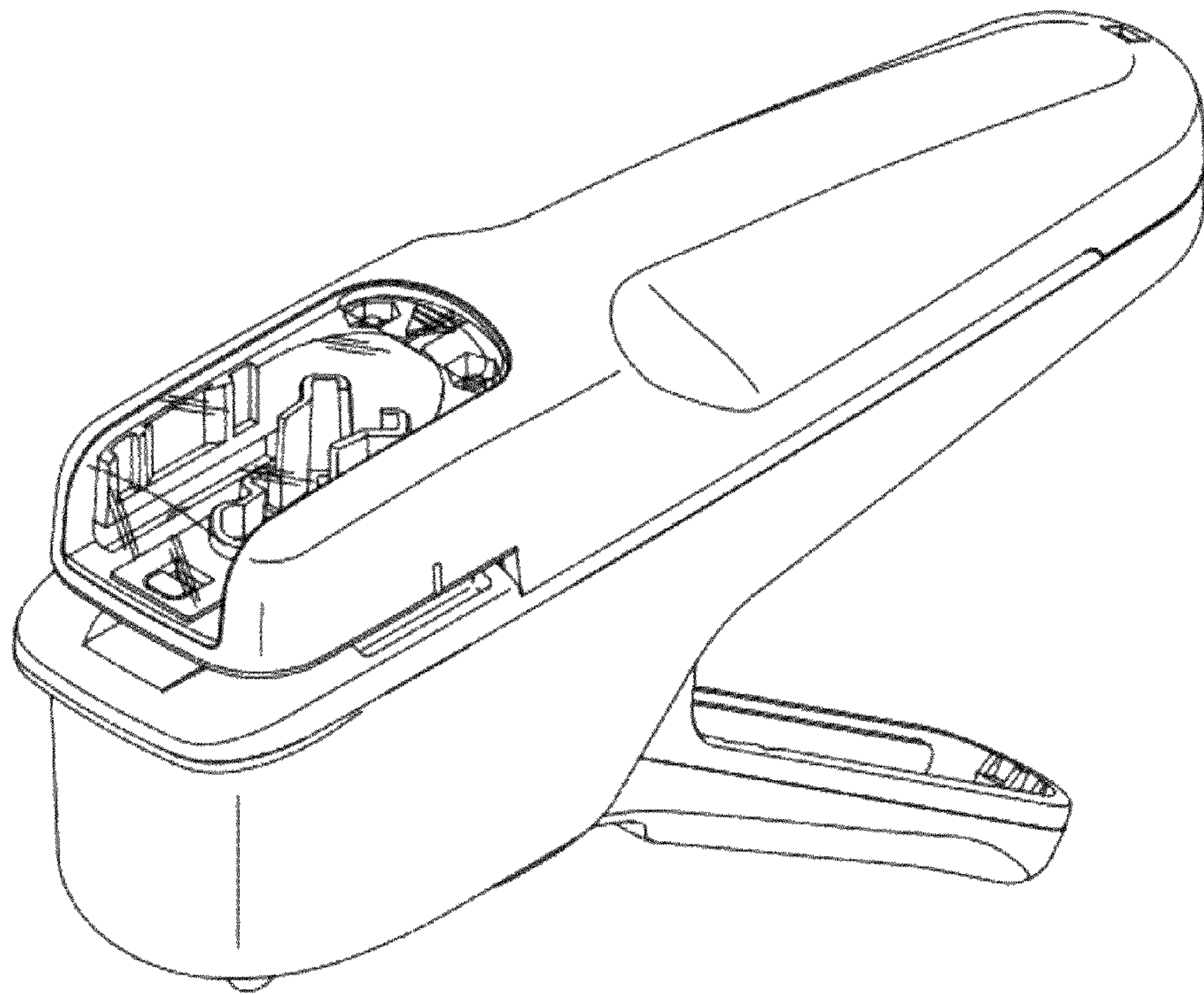


FIG.1

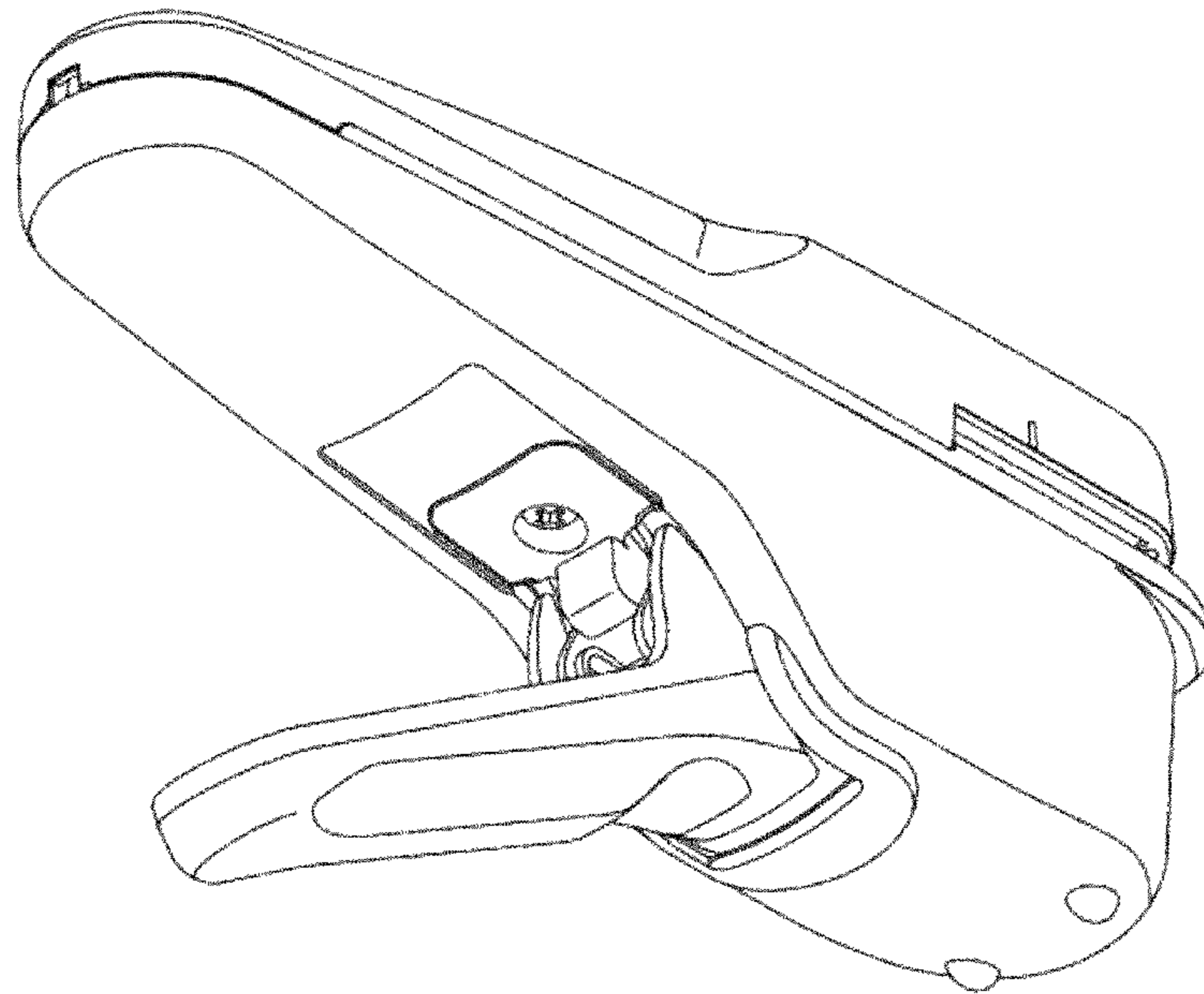


FIG.2

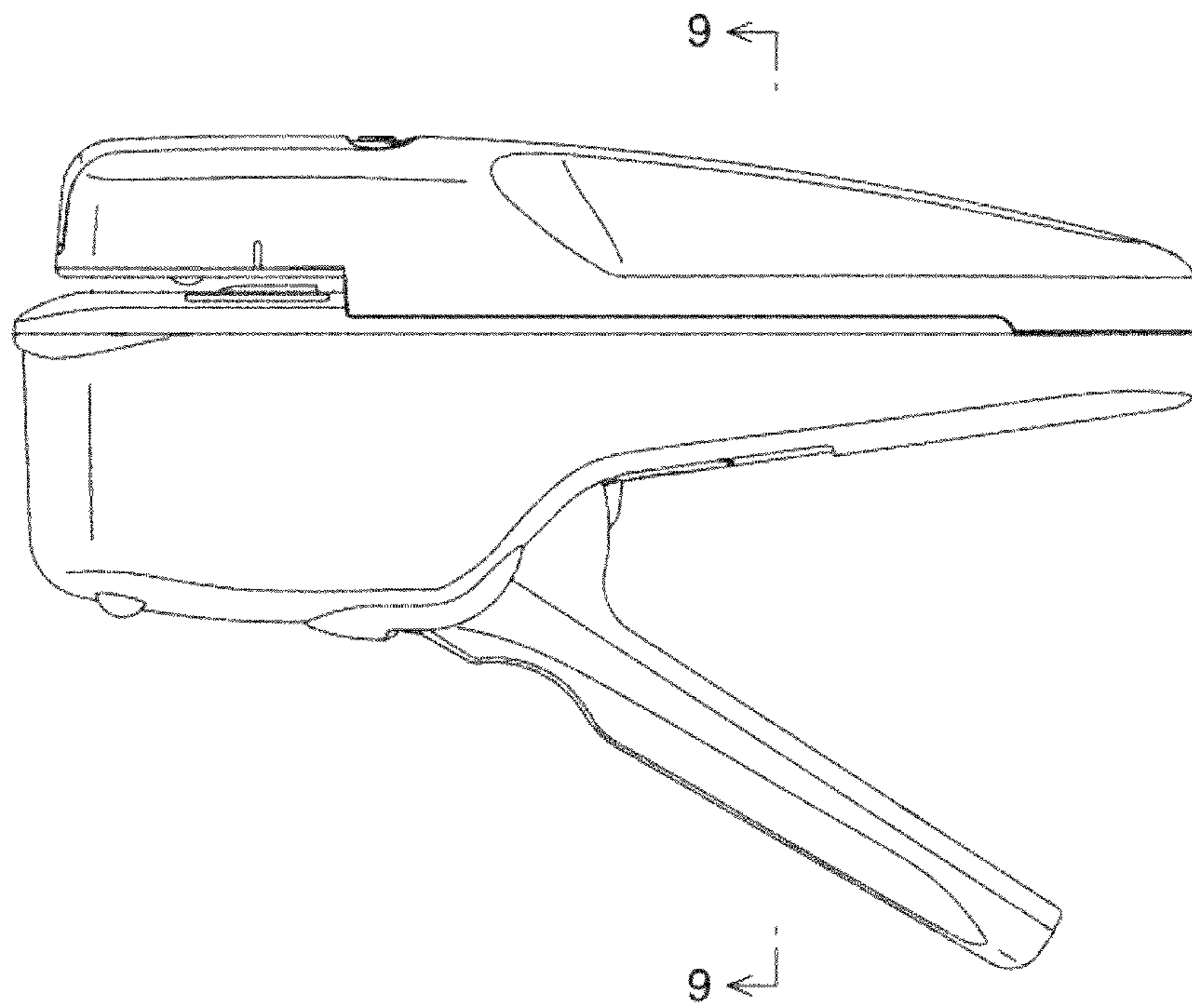


FIG.3

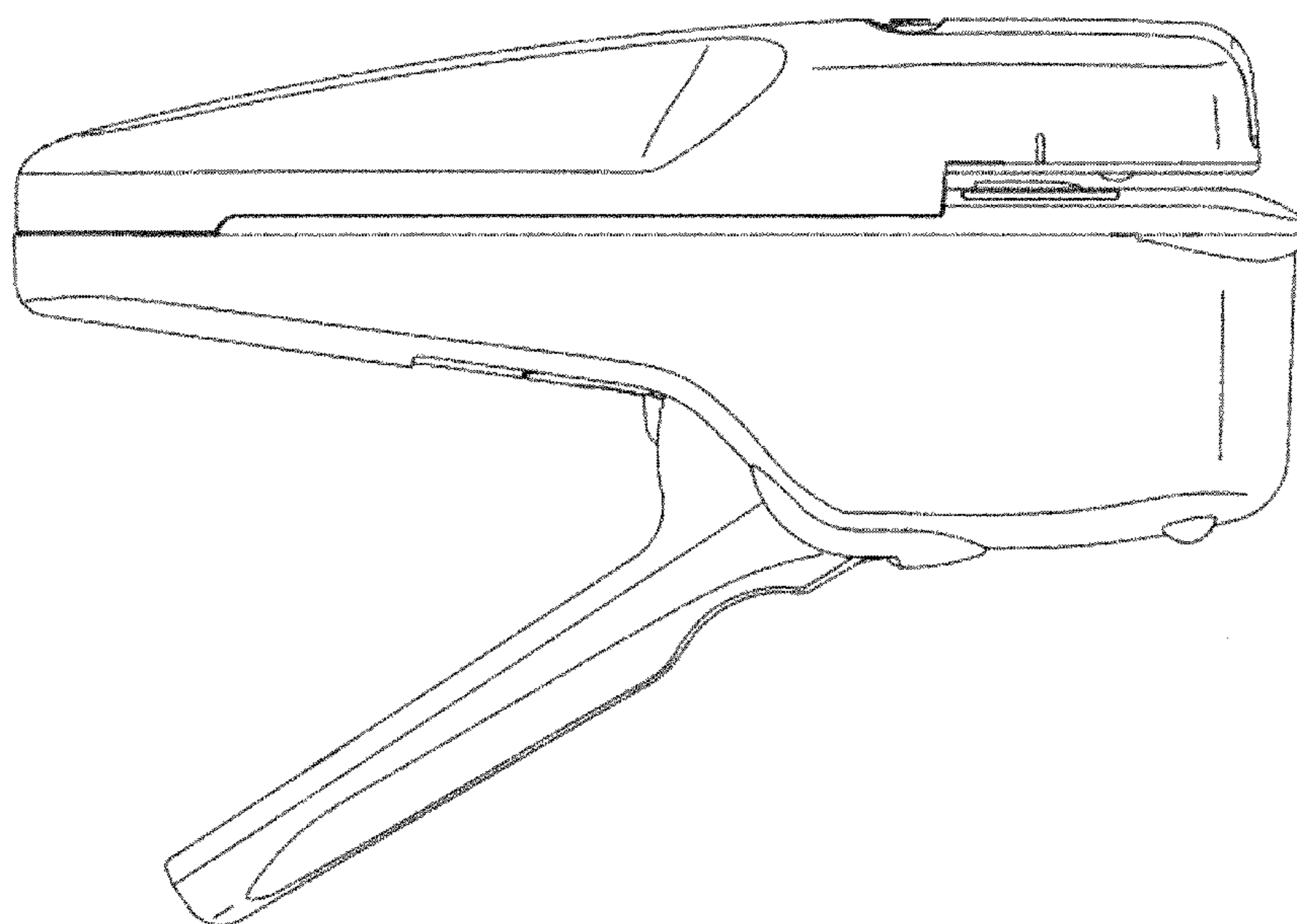


FIG.4

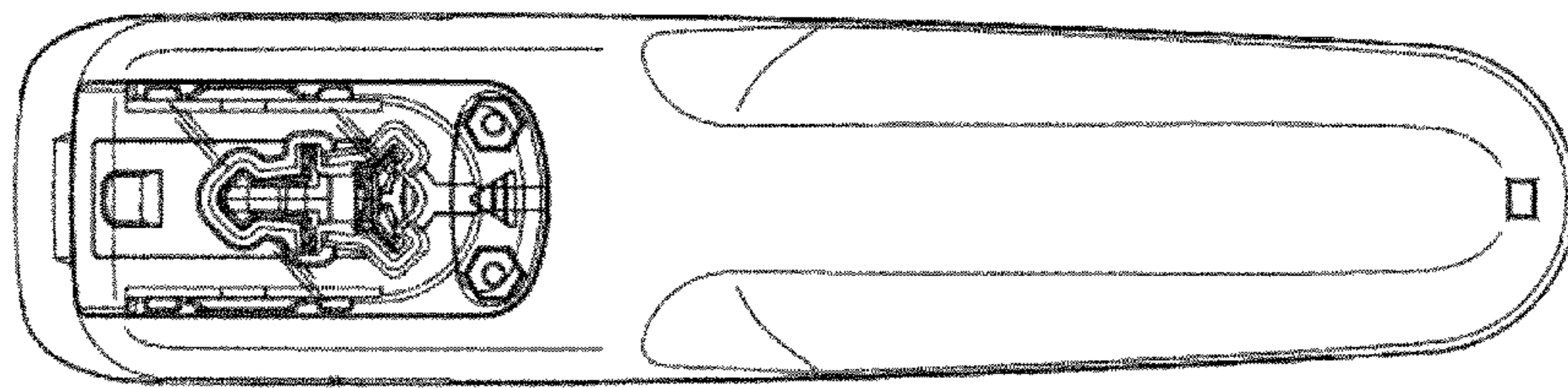


FIG. 5

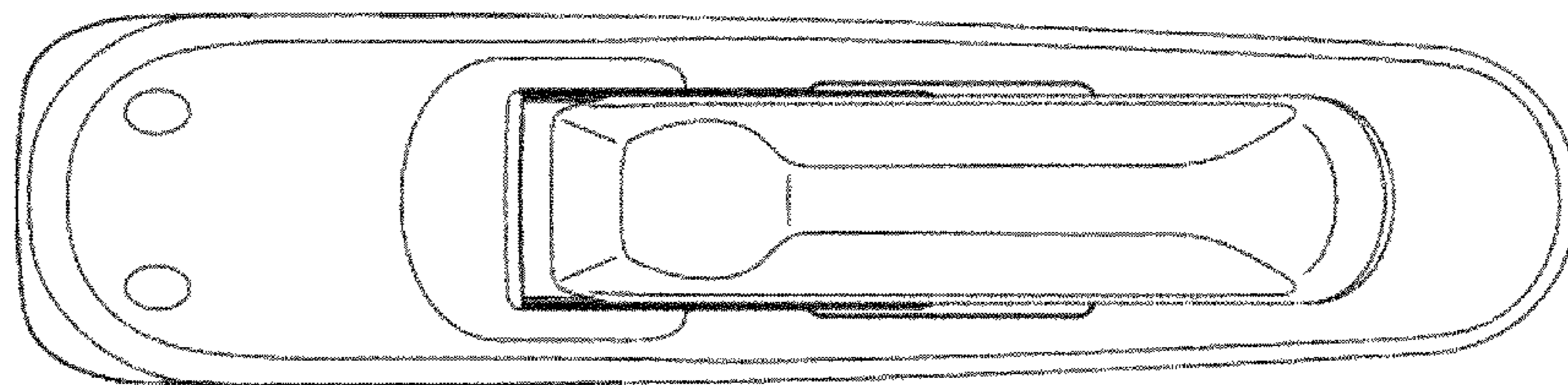


FIG. 6

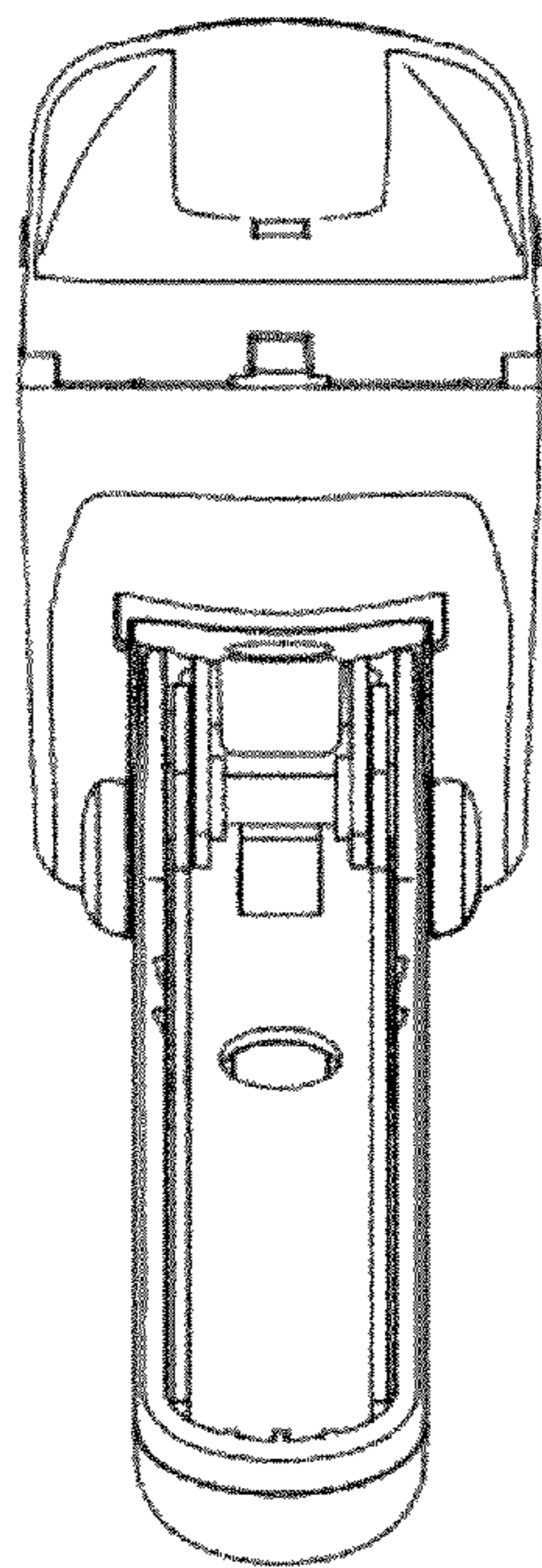
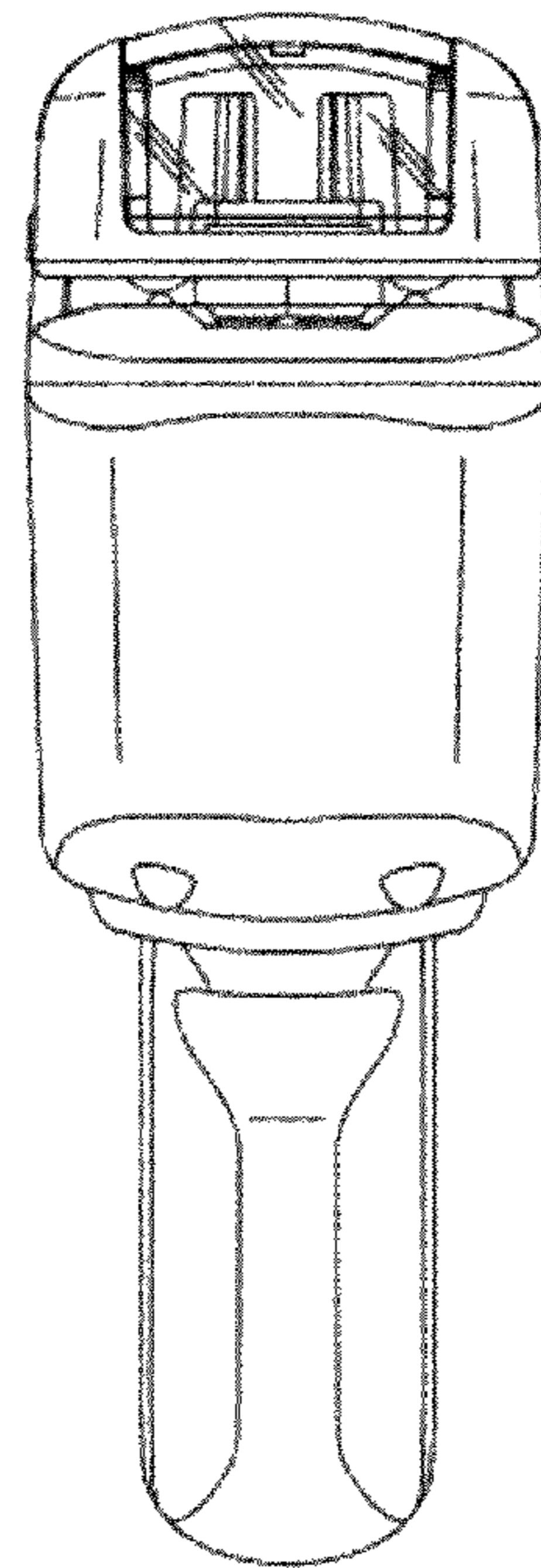


FIG. 7

10 ←



10 ←

FIG. 8

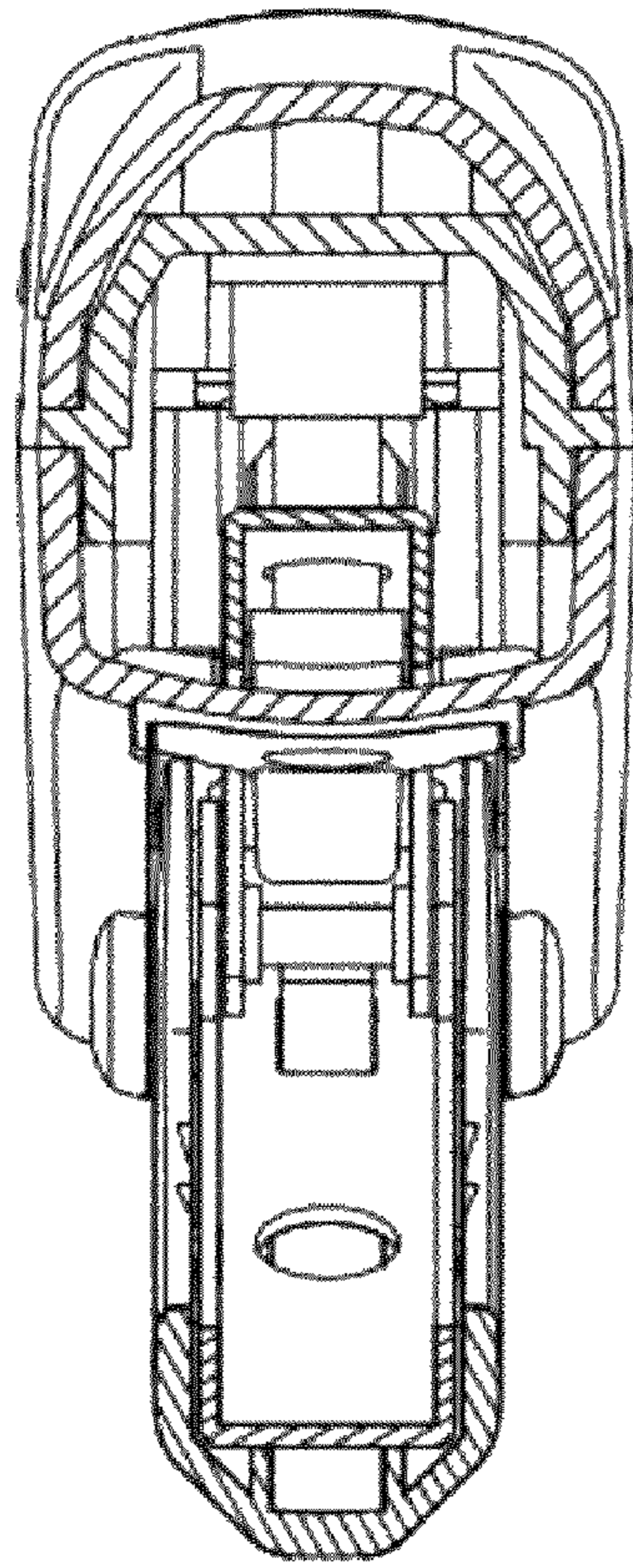


FIG.9