



US00D674259S

(12) **United States Design Patent**  
**Metaxatos et al.**

(10) **Patent No.:** **US D674,259 S**  
(45) **Date of Patent:** **\*\* Jan. 15, 2013**

(54) **SURFACE-PREPARATION TOOL HANDLE**

(75) Inventors: **Paul Metaxatos**, Swampscott, MA (US);  
**Steffen Koury**, Everett, MA (US);  
**James McGee**, Chelsea, MA (US);  
**Richard M. Farland**, Fiskdale, MA  
(US); **Corey Talbot**, Hebron, CT (US)

(73) Assignee: **Hyde Tools, Inc.**, Southbridge, MA (US)

(\*\*) Term: **14 Years**

(21) Appl. No.: **29/420,415**

(22) Filed: **May 9, 2012**

(51) **LOC (9) Cl.** ..... **08-05**

(52) **U.S. Cl.** ..... **D8/45**

(58) **Field of Classification Search** ..... D8/10,  
D8/45, 107; 15/235.3, 235.4, 235.5, 235.6,  
15/235.7, 236.1, 245.1; 294/49; D32/46,  
D32/48-49, 52

See application file for complete search history.

(56) **References Cited**

**U.S. PATENT DOCUMENTS**

D414,395	S	*	9/1999	Panfili	.....	D8/107
D465,389	S	*	11/2002	Norton	.....	D8/14
D486,046	S	*	2/2004	Norton	.....	D8/45
6,742,215	B2	*	6/2004	Panfili et al.	.....	15/236.01
D498,124	S	*	11/2004	Mitchell	.....	D8/45
D534,781	S	*	1/2007	Chen	.....	D8/107
D535,174	S	*	1/2007	Chen	.....	D8/107
D551,925	S	*	10/2007	Liao	.....	D8/25
D562,652	S	*	2/2008	Liao	.....	D8/25
D569,215	S	*	5/2008	Chiu	.....	D8/107
7,509,893	B2	*	3/2009	Wu	.....	81/177.8
D607,708	S	*	1/2010	Himbert et al.	.....	D8/107
D608,177	S	*	1/2010	Perlman	.....	D8/107
D612,702	S	*	3/2010	Perlman	.....	D8/107
D643,275	S	*	8/2011	Wang	.....	D8/107
2007/0074401	A1	*	4/2007	Myers et al.	.....	30/142
2007/0294850	A1	*	12/2007	Murphy et al.	.....	15/235.4

**OTHER PUBLICATIONS**

Hyde Pro Stainless Steel Folded Backing Taping Knife. Downloaded from <http://www.hydetools.com/catalog/tool/12-pro-stainless-steel-folded-backing-taping-knife> on Sep. 25, 2012.\*

Kobalt Drywall Taping Knife. Downloaded from [http://www.lowes.com/pd\\_245845-51834-8091\\_0\\_?productId=3054677](http://www.lowes.com/pd_245845-51834-8091_0_?productId=3054677) on Sep. 25, 2012.\*

\* cited by examiner

*Primary Examiner* — Philip S Hyder

*Assistant Examiner* — Roselynn Cody

(74) *Attorney, Agent, or Firm* — Louis J. Franco; Law Office of Louis J. Franco

(57) **CLAIM**

The ornamental design for a surface-preparation tool handle, as shown and described.

**DESCRIPTION**

FIG. 1 is a top perspective view of a surface-preparation tool handle showing our design;

FIG. 2 is a side elevational view of the surface-preparation tool handle of FIG. 1, the left and right sides being mirror images of one another;

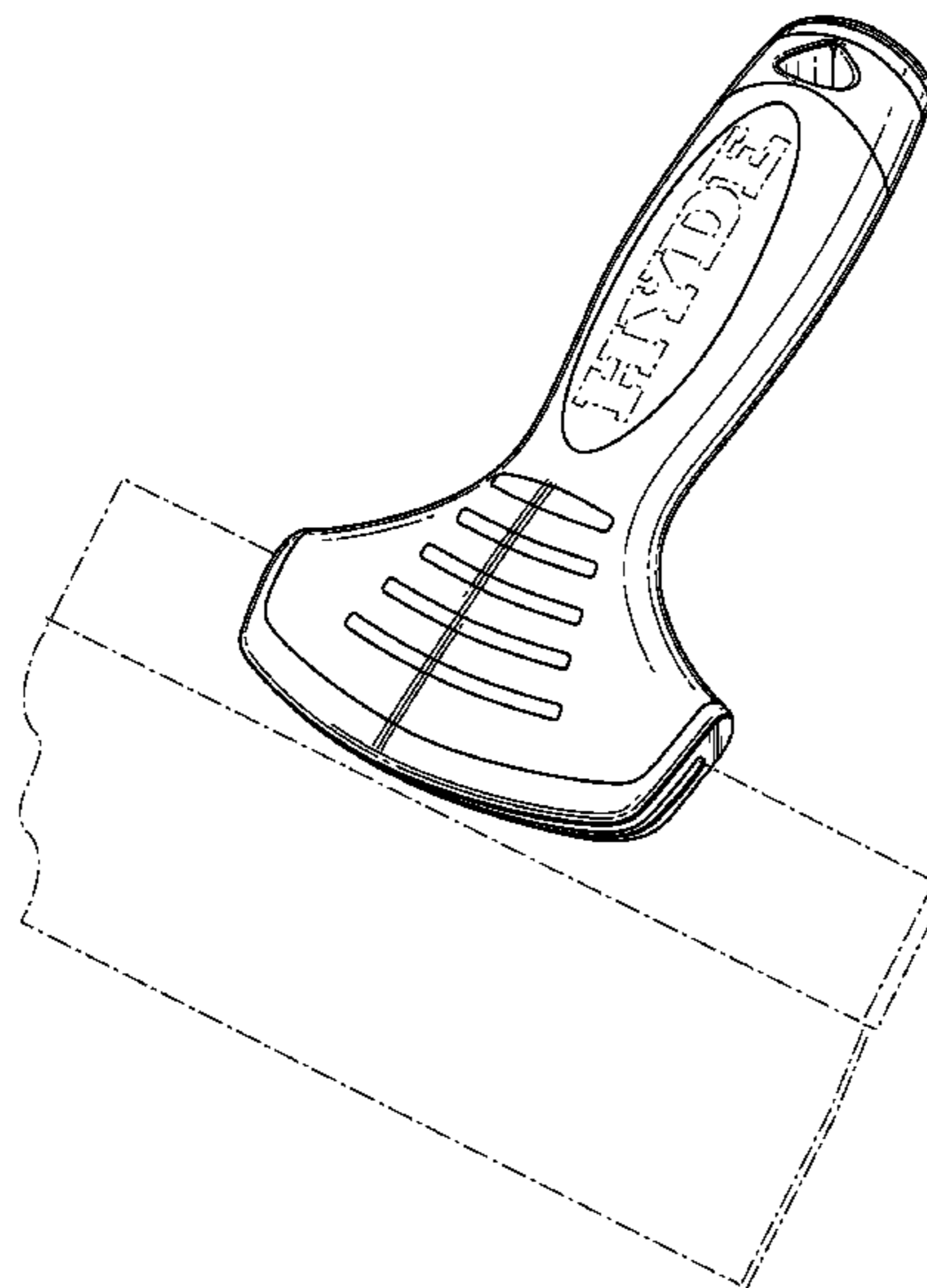
FIG. 3 is a top view of the surface-preparation tool handle of FIG. 1;

FIG. 4 is a rear view of the surface-preparation tool handle of FIG. 1; and,

FIG. 5 is a front view of the surface-preparation tool handle of FIG. 1.

The broken lines showing “HYDE” illustrate an aspect of the handle that forms no part of the claim, while the broken lines showing a blade are directed to environment that also forms no part of the claim.

**1 Claim, 4 Drawing Sheets**



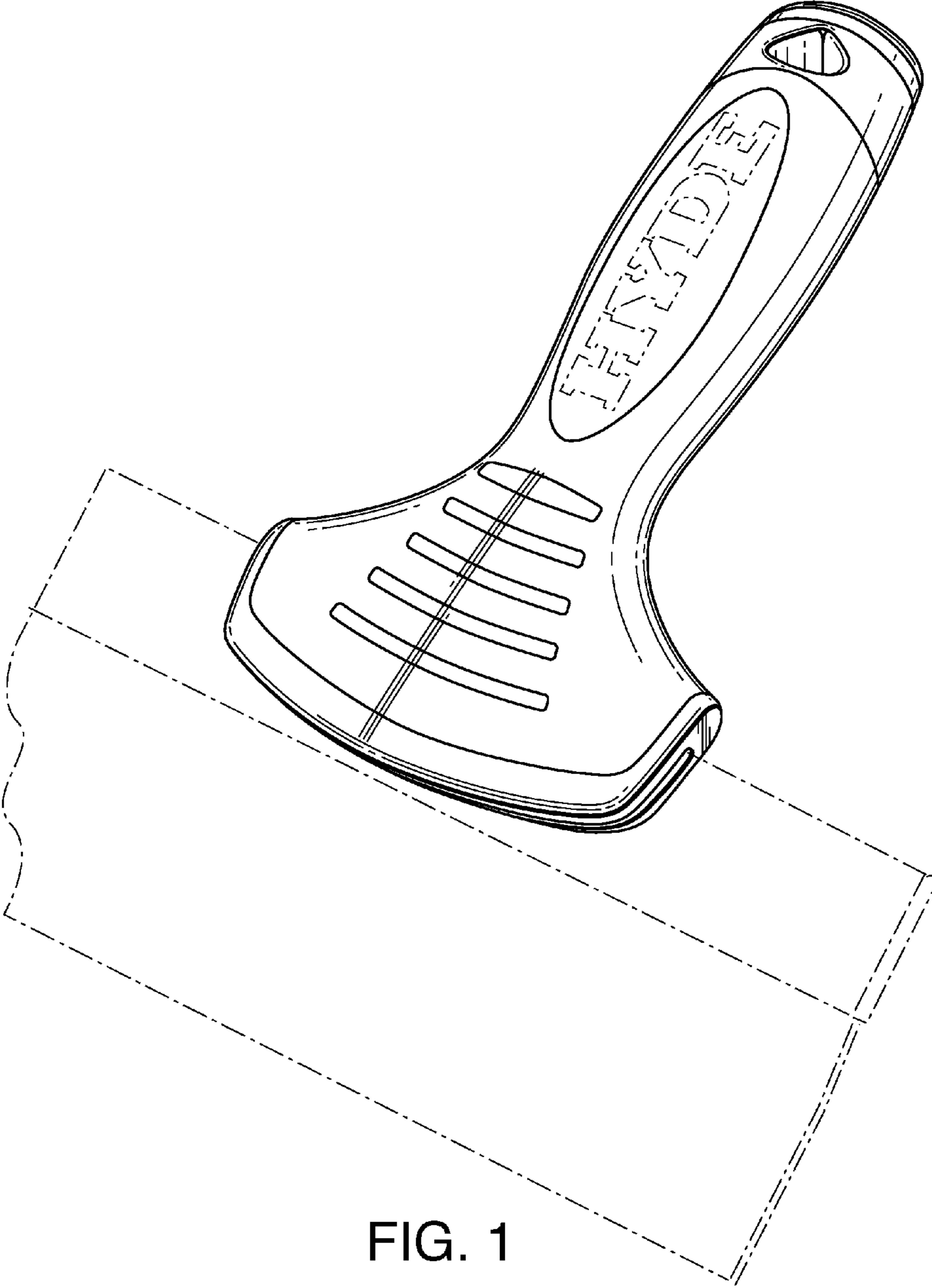


FIG. 1

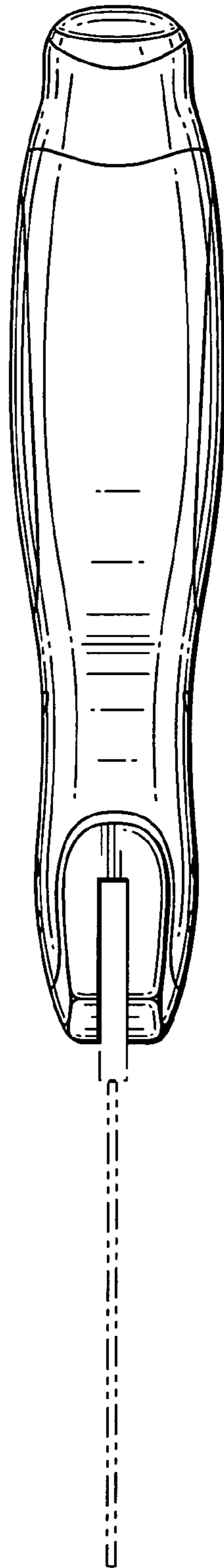


FIG. 2

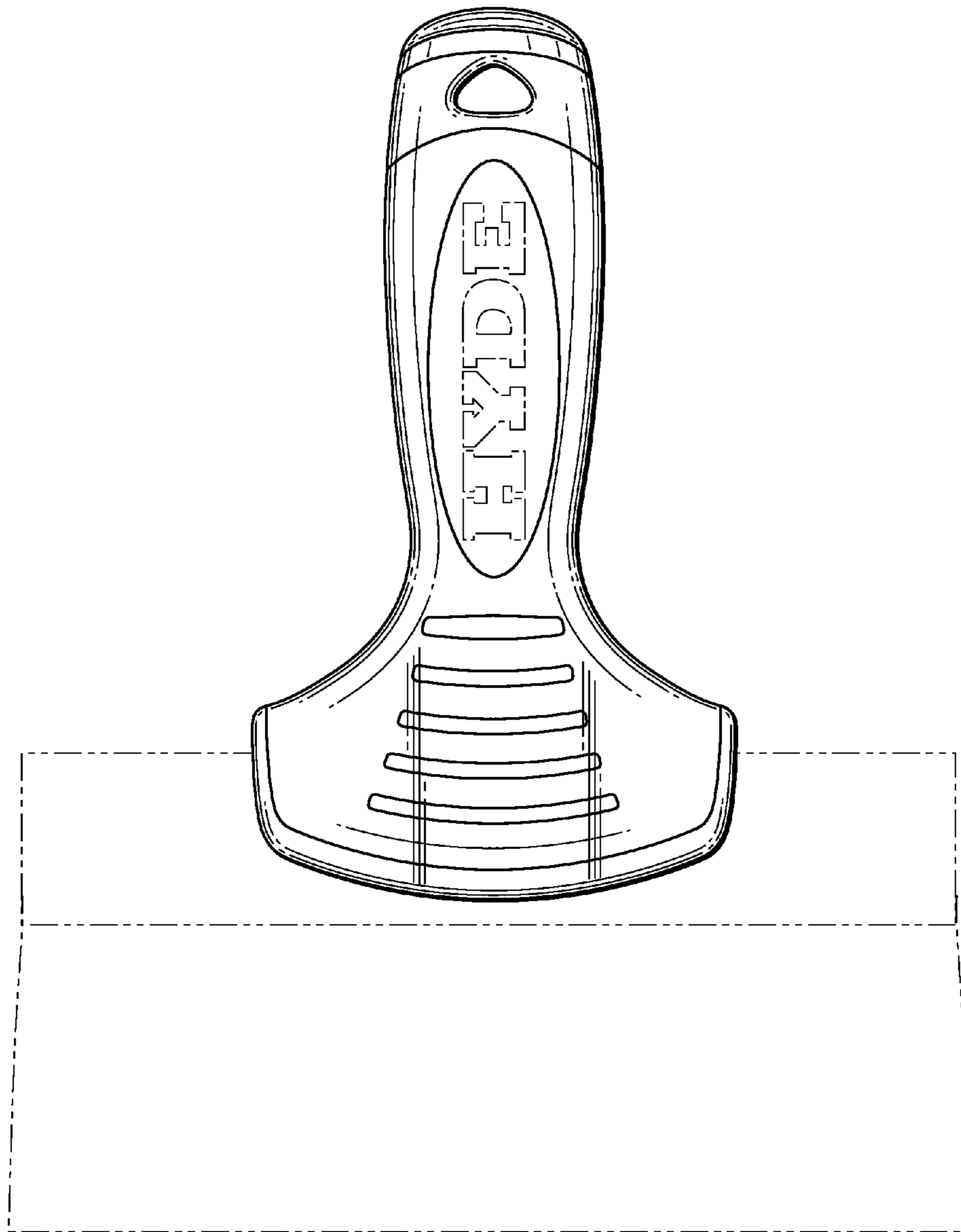


FIG. 3

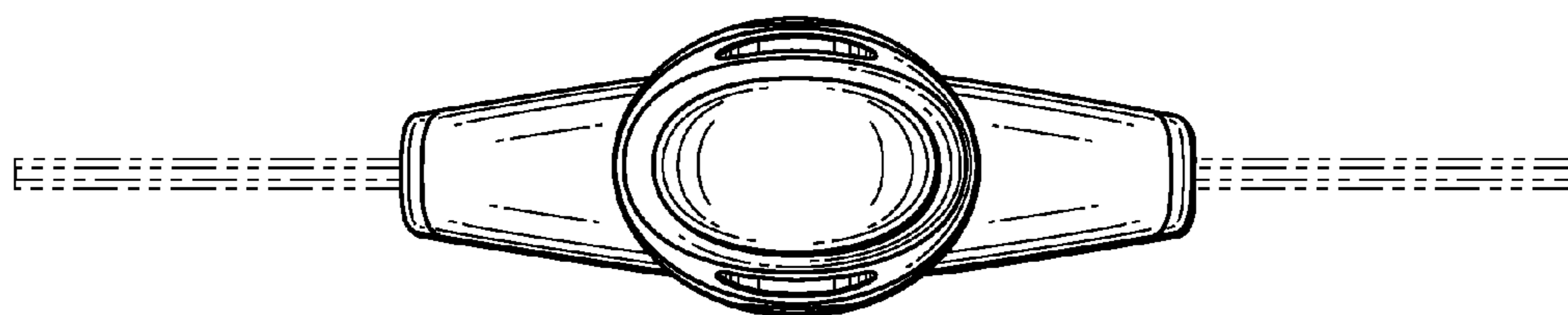


FIG. 4

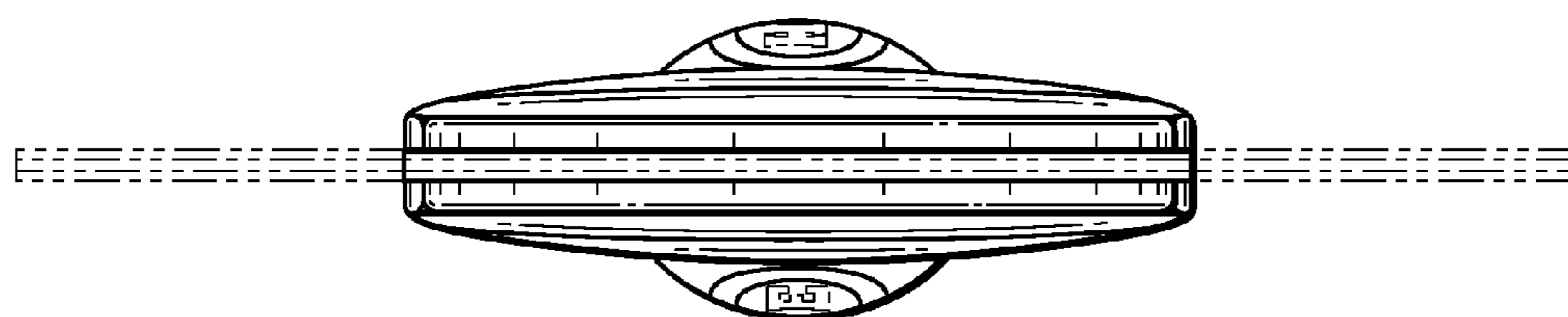


FIG. 5