



US00D674252S

(12) **United States Design Patent**  
**Fu**

(10) **Patent No.:** **US D674,252 S**  
(45) **Date of Patent:** **\*\* Jan. 15, 2013**

(54) **ICE CREAM SCOOP**

(75) Inventor: **Chin Jen Fu**, Tainan (TW)

(73) Assignee: **Jinn Dong Industrial Co., Ltd.**,  
Xintian, Rende, Tainan (TW)

(\*\*) Term: **14 Years**

(21) Appl. No.: **29/411,398**

(22) Filed: **Jan. 20, 2012**

(51) **LOC (9) Cl.** ..... **07-99**

(52) **U.S. Cl.** ..... **D7/681**

(58) **Field of Classification Search** ..... D7/681-696,  
D7/395; 425/276-286, 187, 299, DIG. 13;  
30/324-328; 294/176-180

See application file for complete search history.

(56) **References Cited**

**U.S. PATENT DOCUMENTS**

1,168,919	A *	1/1916	Surface	.....	425/283
1,888,739	A *	11/1932	Sanders	.....	425/278
D112,151	S *	11/1938	Price	.....	D7/681
2,164,429	A *	7/1939	Ritter	.....	425/283
2,165,941	A *	7/1939	Price	.....	425/278

2,351,568	A *	6/1944	Wheaton	.....	425/276
D242,977	S *	1/1977	Mason	.....	D7/681
4,553,921	A *	11/1985	Lamphere et al.	.....	425/279
5,000,672	A *	3/1991	Halimi	.....	425/279
D391,811	S *	3/1998	Molo	.....	D7/681
5,837,296	A *	11/1998	Virkler	.....	425/277
D628,027	S *	11/2010	Hung	.....	D7/681

\* cited by examiner

*Primary Examiner* — Terry Wallace

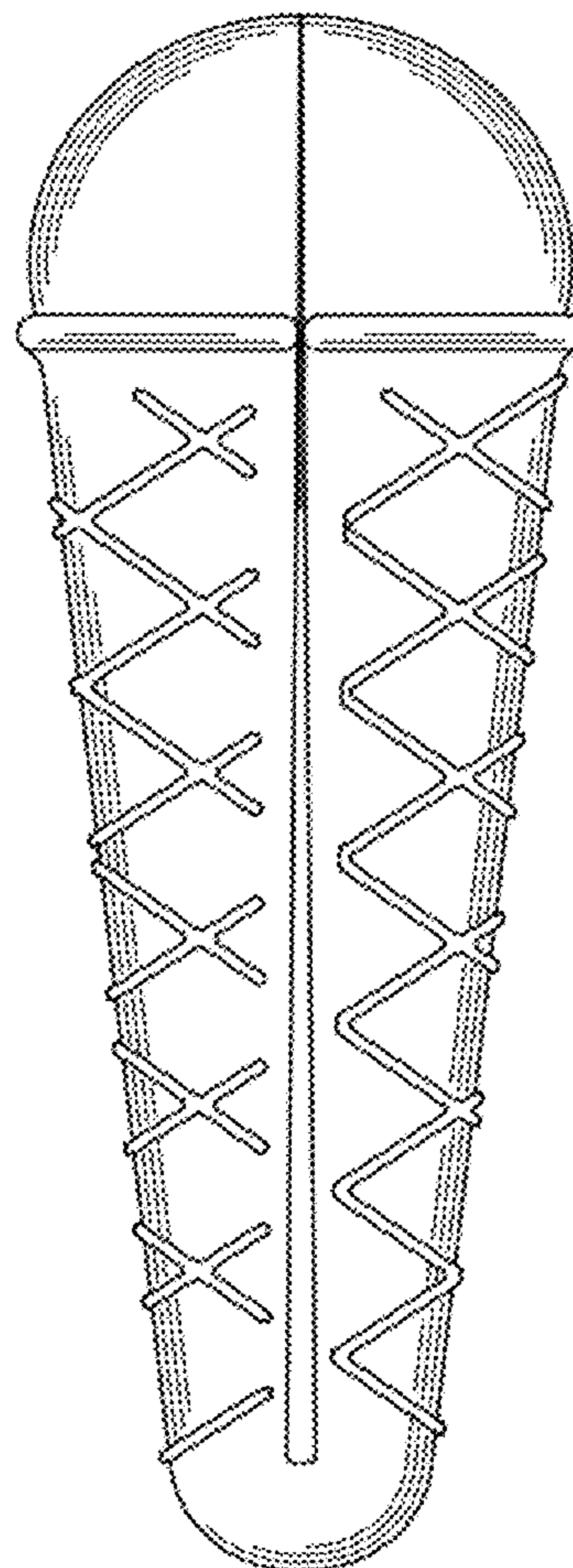
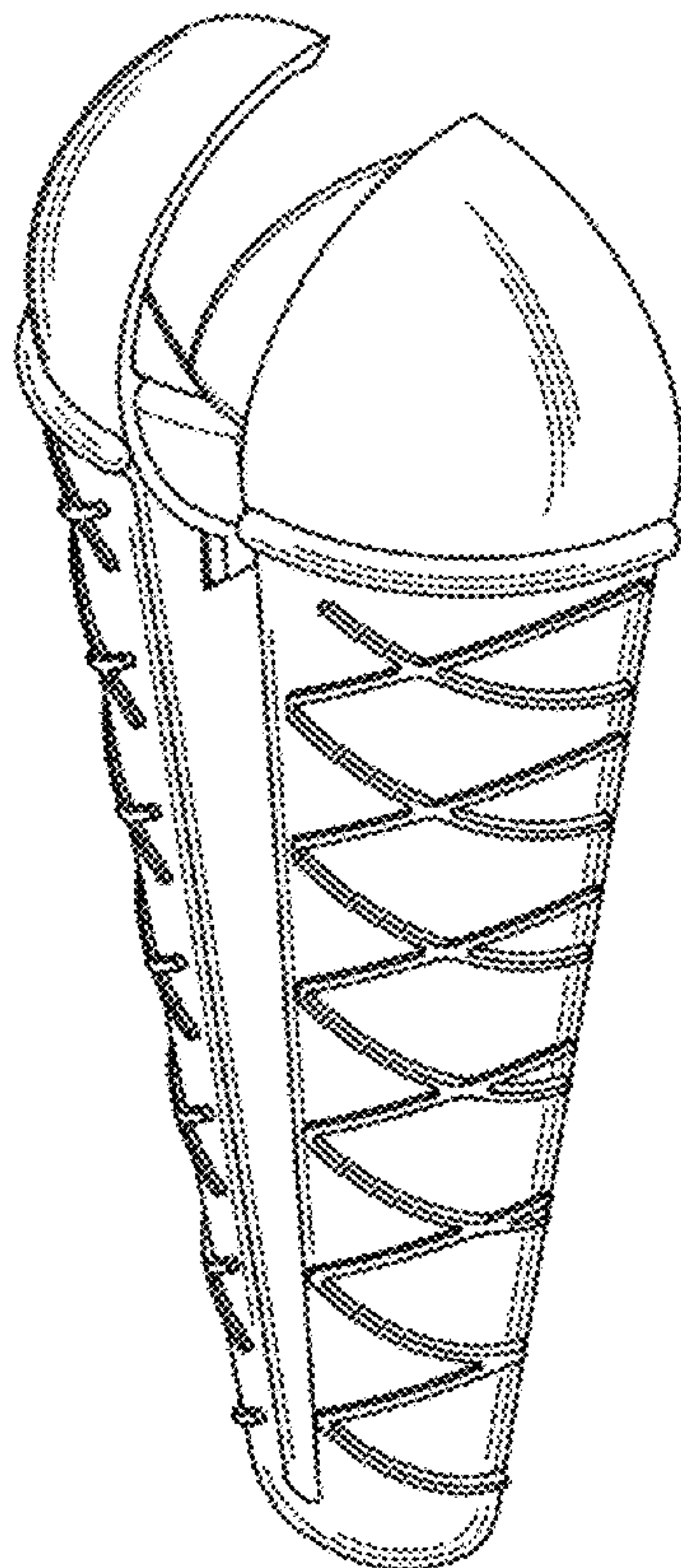
(57) **CLAIM**

The ornamental design for an ice cream scoop, as shown and described.

**DESCRIPTION**

FIG. 1 is a perspective view of an ice cream scoop showing my design;  
FIG. 2 is a front elevational view thereof;  
FIG. 3 is a rear elevational view thereof;  
FIG. 4 is a left side elevational view thereof;  
FIG. 5 is a right side elevational view thereof;  
FIG. 6 is a top plan view thereof;  
FIG. 7 is a bottom plan view thereof; and,  
FIG. 8 is an illustrative view while using thereof.

**1 Claim, 8 Drawing Sheets**



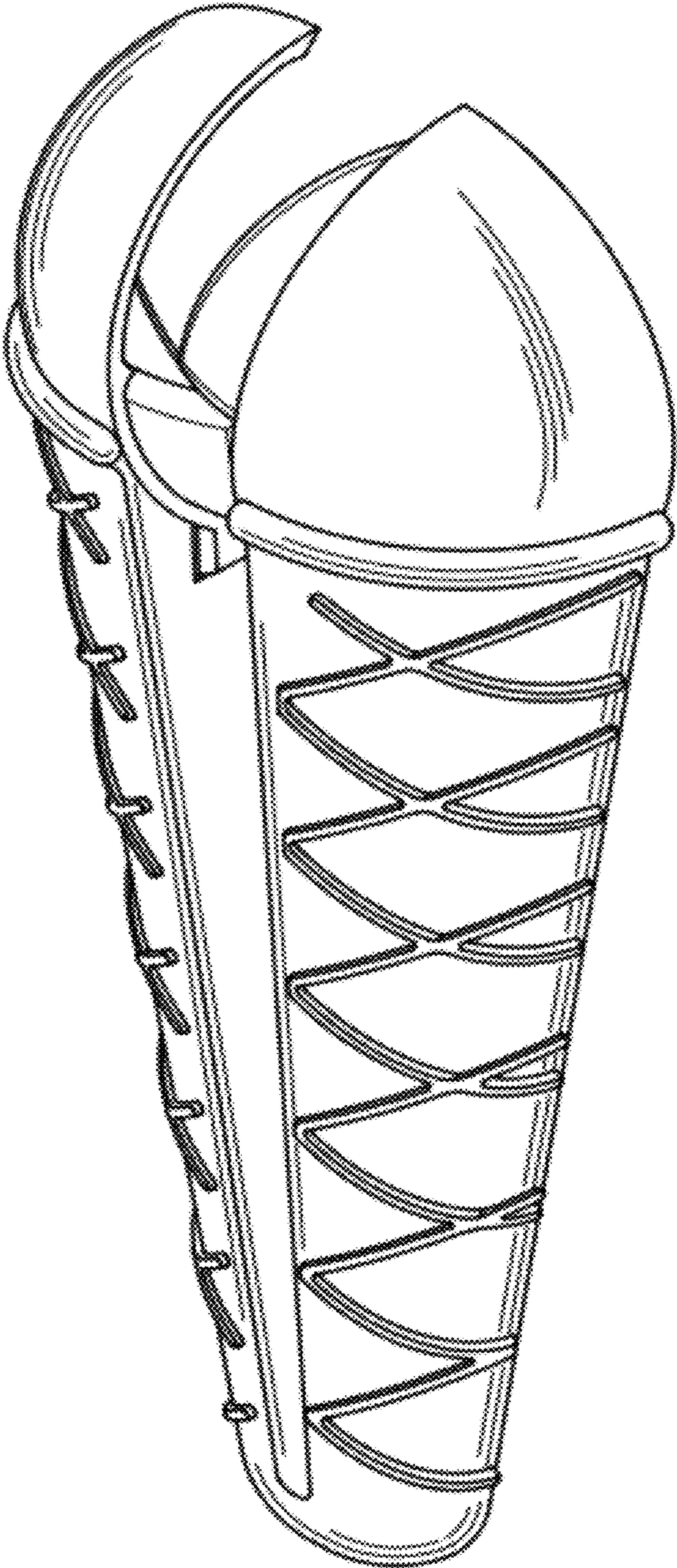


FIG. 1



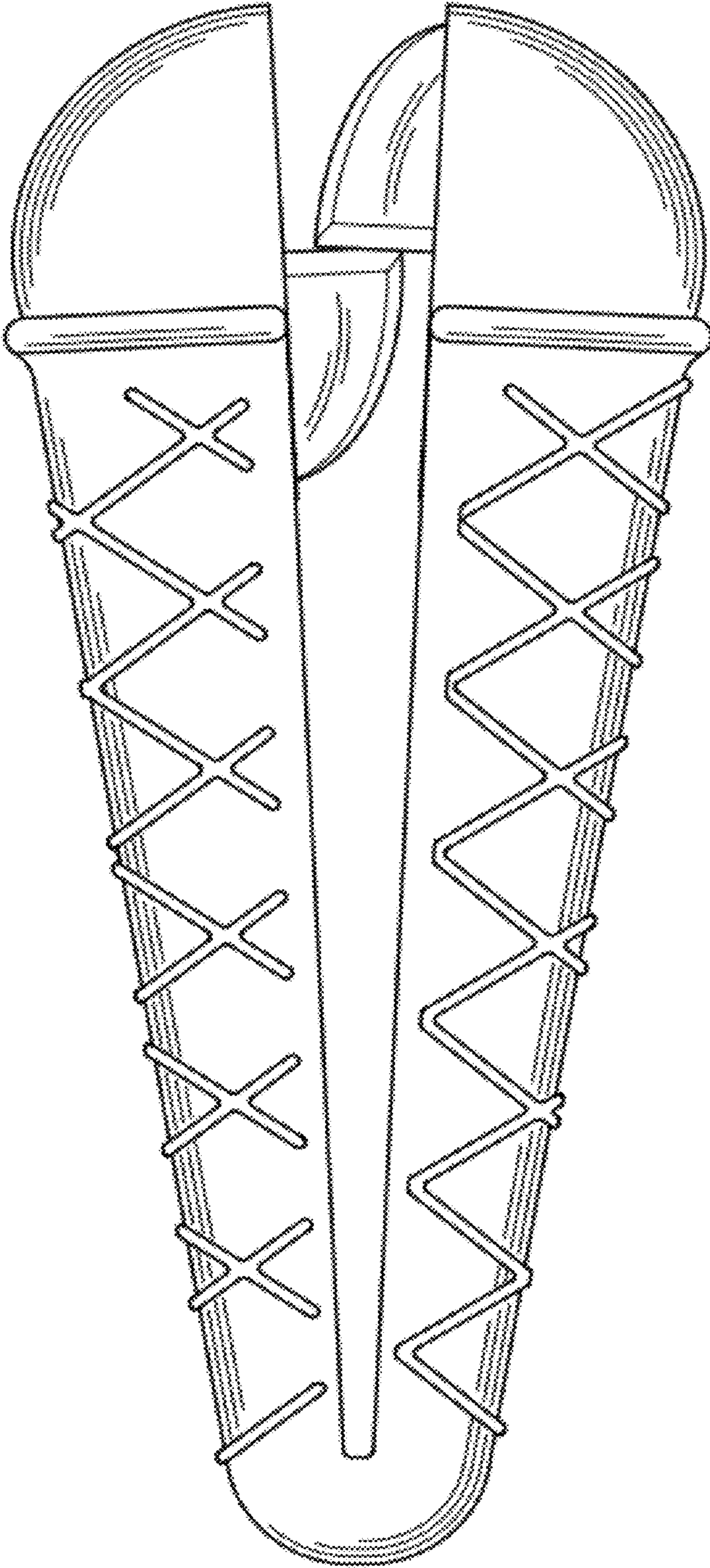


FIG.2

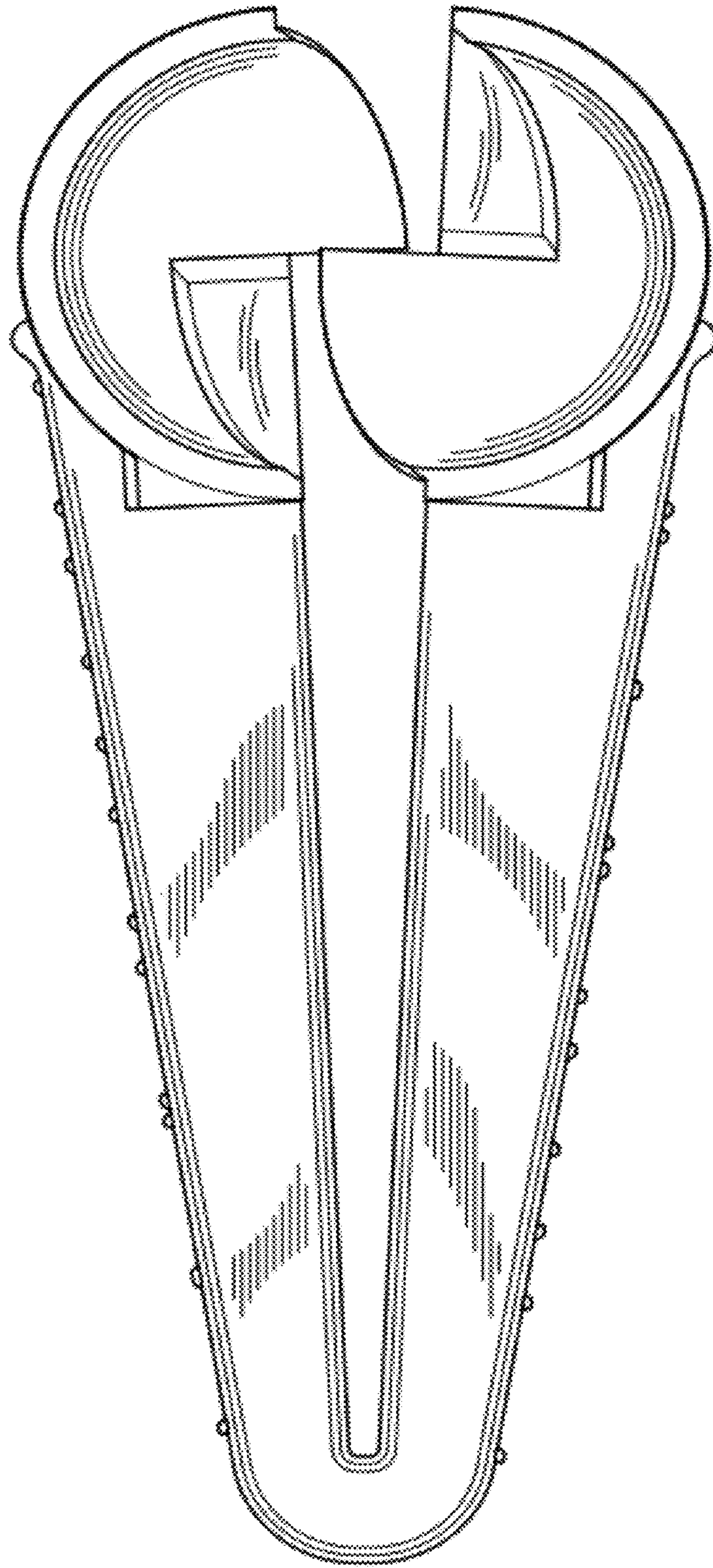


FIG.3

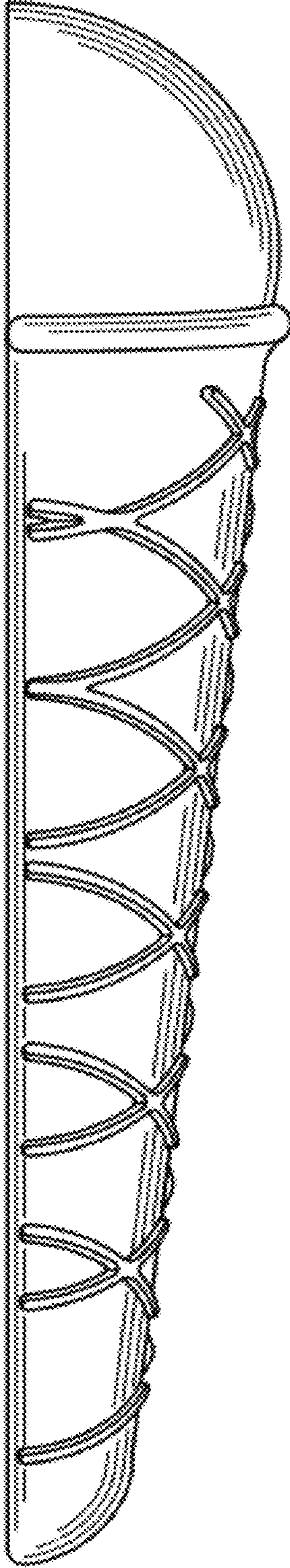


FIG.4



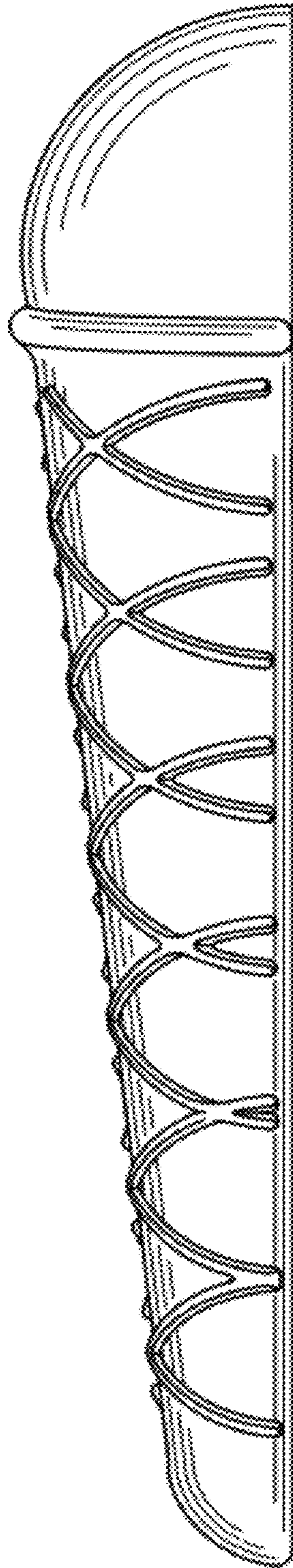


FIG. 5

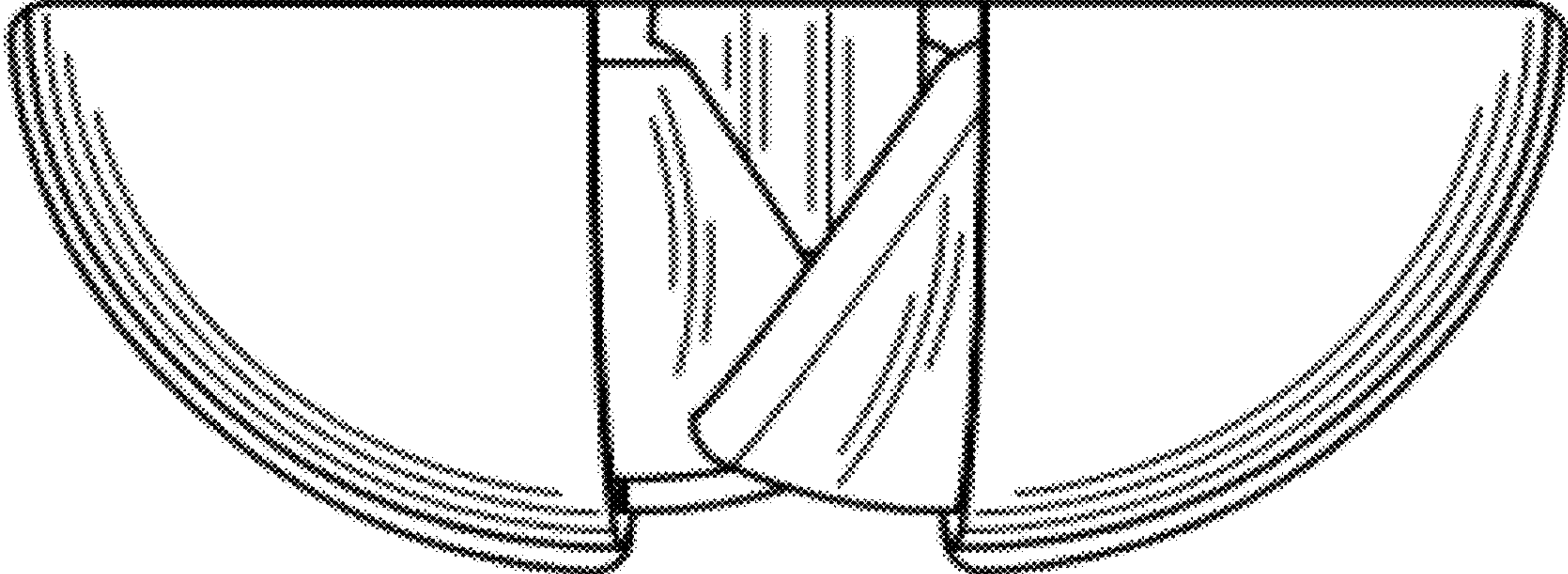


FIG.6

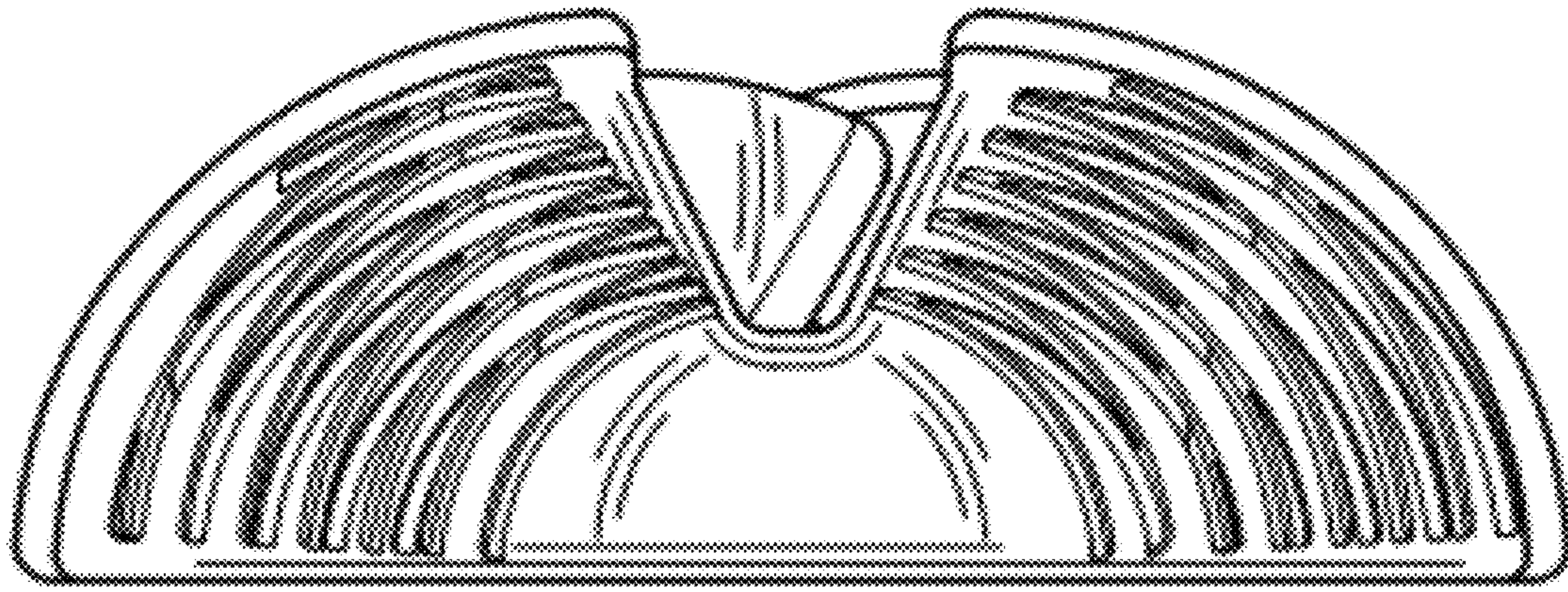


FIG. 7



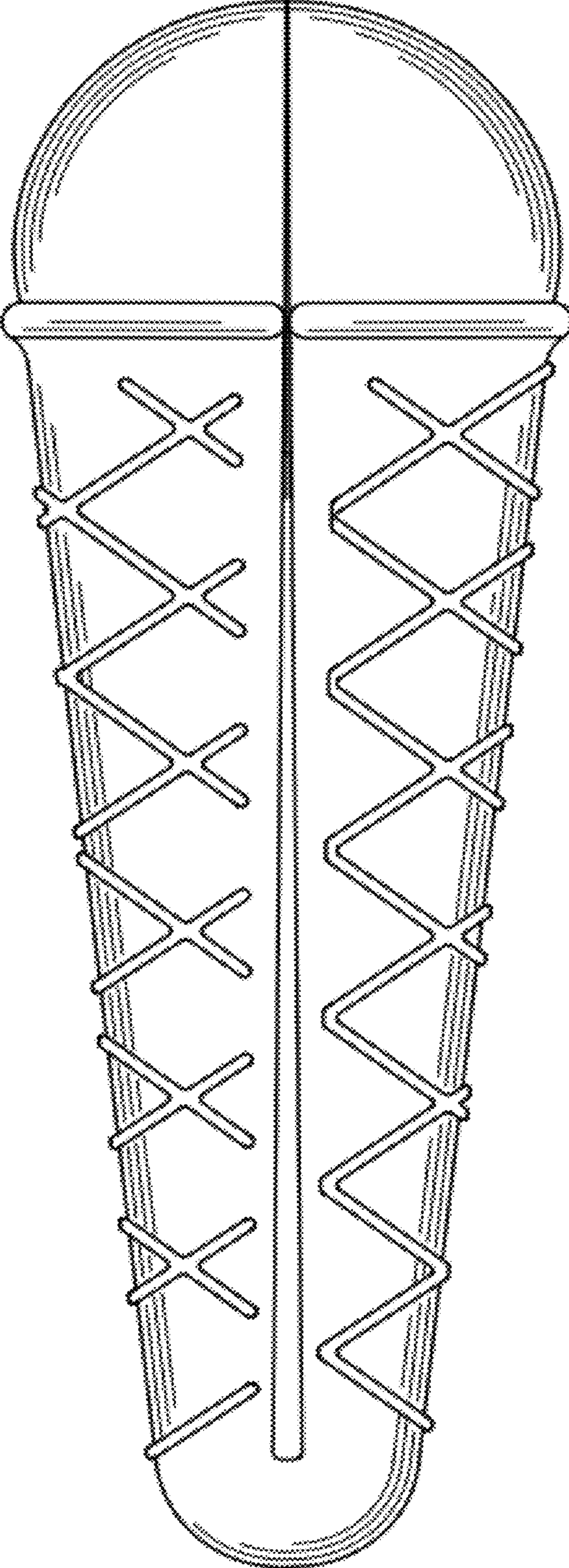


FIG.8