



US00D674249S

(12) **United States Design Patent**  
**Duvigneau**

(10) **Patent No.:** **US D674,249 S**  
(45) **Date of Patent:** **\*\* Jan. 15, 2013**

(54) **CONTAINER**

(75) Inventor: **Nikolai Duvigneau, Zichron Yaacov (IL)**

(73) Assignee: **Curver Luxembourg SARL,**  
**Neidercorn (LU)**

(\*\*) Term: **14 Years**

(21) Appl. No.: **29/399,148**

(22) Filed: **Aug. 10, 2011**

(30) **Foreign Application Priority Data**

Feb. 11, 2011 (EM) ..... 1259949

(51) **LOC (9) Cl.** ..... **07-07**

(52) **U.S. Cl.** ..... **D7/629**

(58) **Field of Classification Search** ..... D7/601,  
D7/602, 629, 630, 300, 317, 321, 322; D3/273;  
220/260, 288, 780-806, 326, 236, 4.21, 4.24,  
220/574-575, 573.1, 669-673, 675; 222/158,  
222/173, 454-456, 456.1; D10/46.2, 46.3

See application file for complete search history.

(56) **References Cited**

**U.S. PATENT DOCUMENTS**

D284,728 S \* 7/1986 Trivison ..... D7/629  
D311,665 S \* 10/1990 Carlson ..... D7/629  
D369,755 S \* 5/1996 Burcham et al. .... D10/46.2  
5,518,152 A \* 5/1996 Burcham et al. .... 222/454  
D511,655 S \* 11/2005 Kim ..... D7/629

D528,374 S \* 9/2006 Heiberg et al. .... D7/629  
D543,467 S \* 5/2007 Dorn ..... D9/543  
D554,301 S \* 10/2007 Fick ..... D7/629  
D651,528 S \* 1/2012 Robbins et al. .... D10/46.2

\* cited by examiner

*Primary Examiner* — Terry Wallace

(74) *Attorney, Agent, or Firm* — Nath, Goldberg & Meyer;  
Jerald L. Meyer

(57) **CLAIM**

The ornamental design for a container, as shown and described.

**DESCRIPTION**

FIG. 1 is a top perspective view for the first design for a container;

FIG. 2 is a front elevational view of the design for a container as seen in FIG. 1;

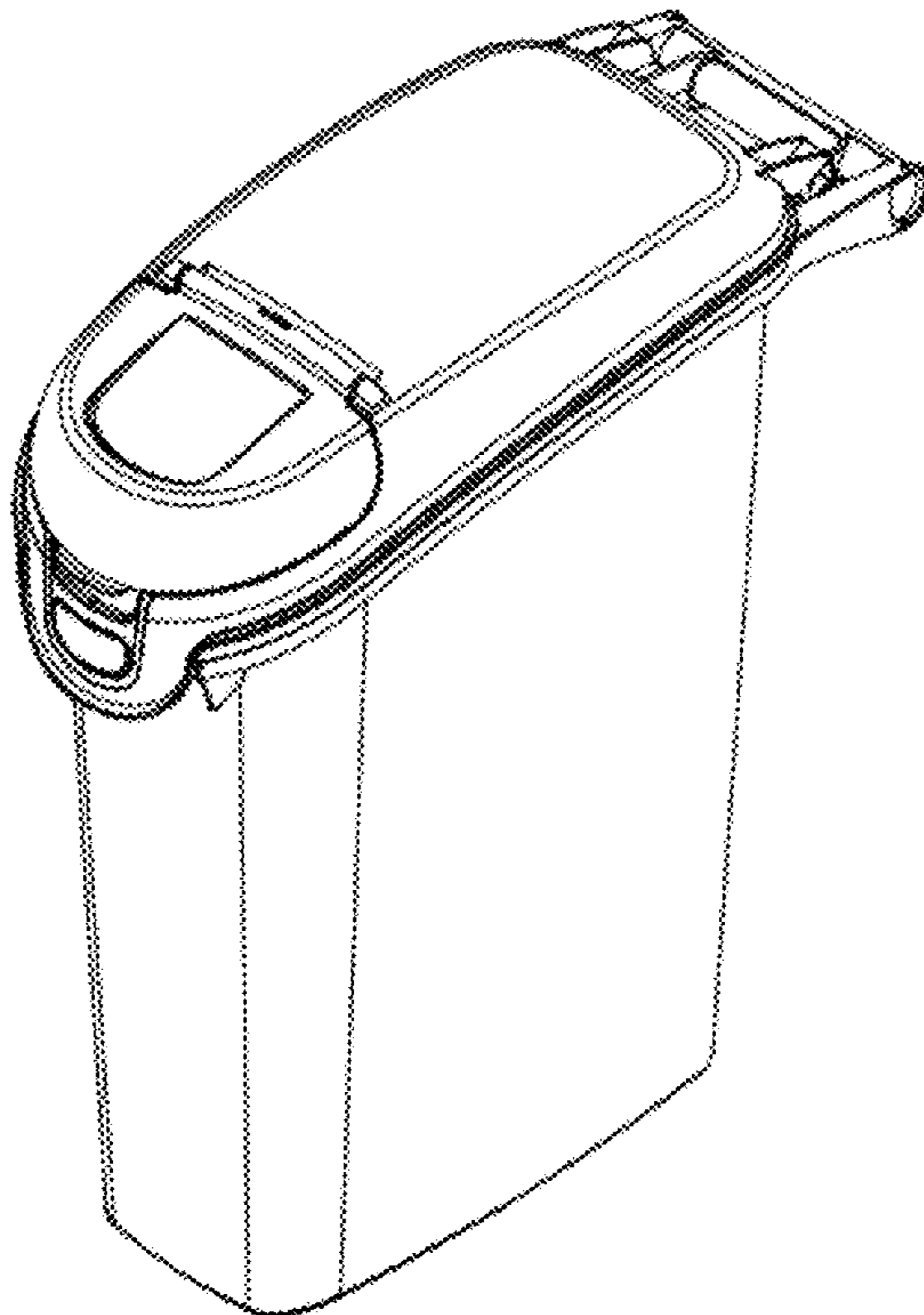
FIG. 3 is a rear elevational view of the design for a container as seen in FIG. 1;

FIG. 4 is a right elevational view of the design for a container as seen in FIG. 1; the left elevational view being a mirror image;

FIG. 5 is a top planar view of the design for a container as seen in FIG. 1; and,

FIG. 6 is a bottom planar view of the design for a container as seen in FIG. 1.

**1 Claim, 6 Drawing Sheets**



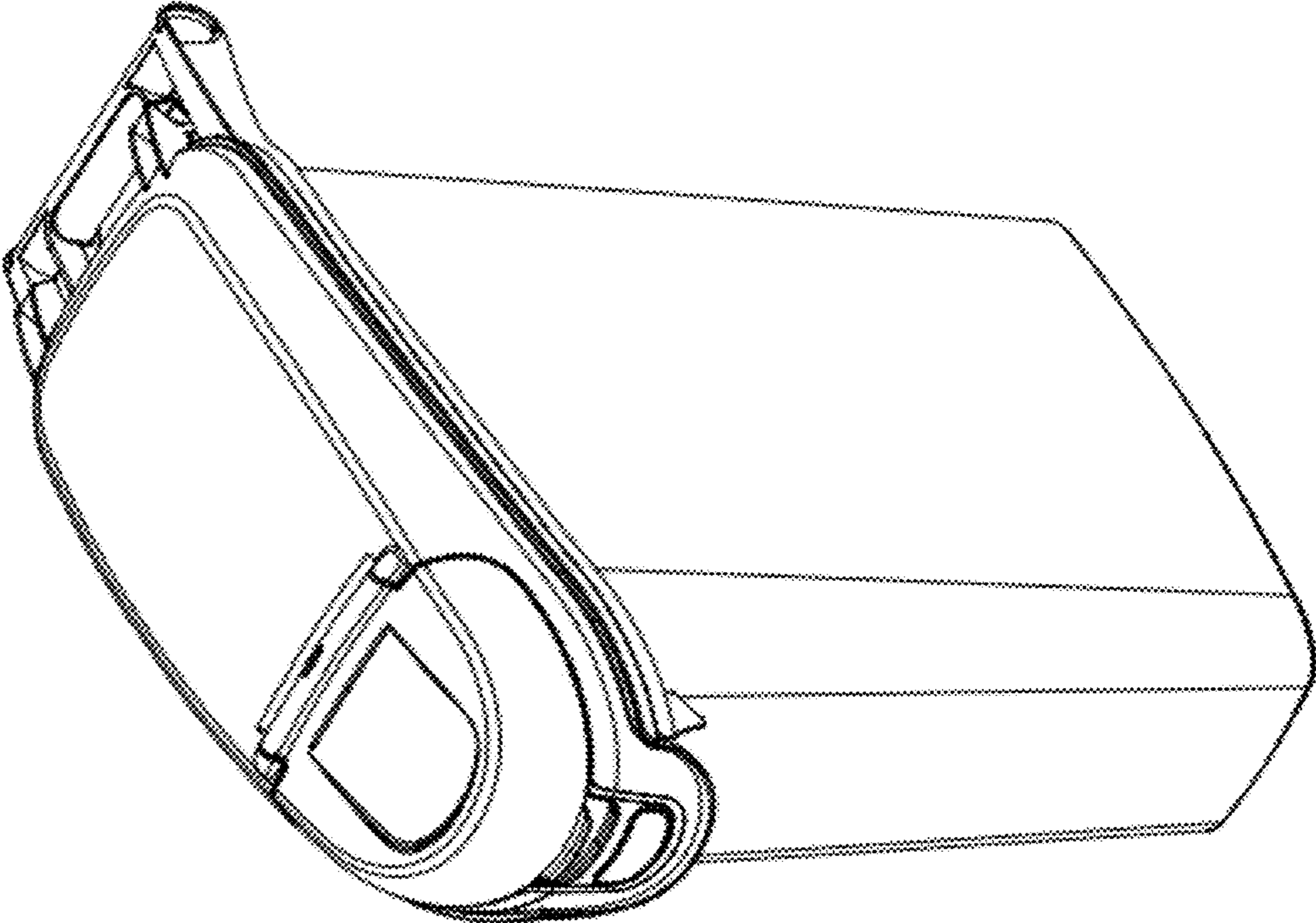


FIG. 1

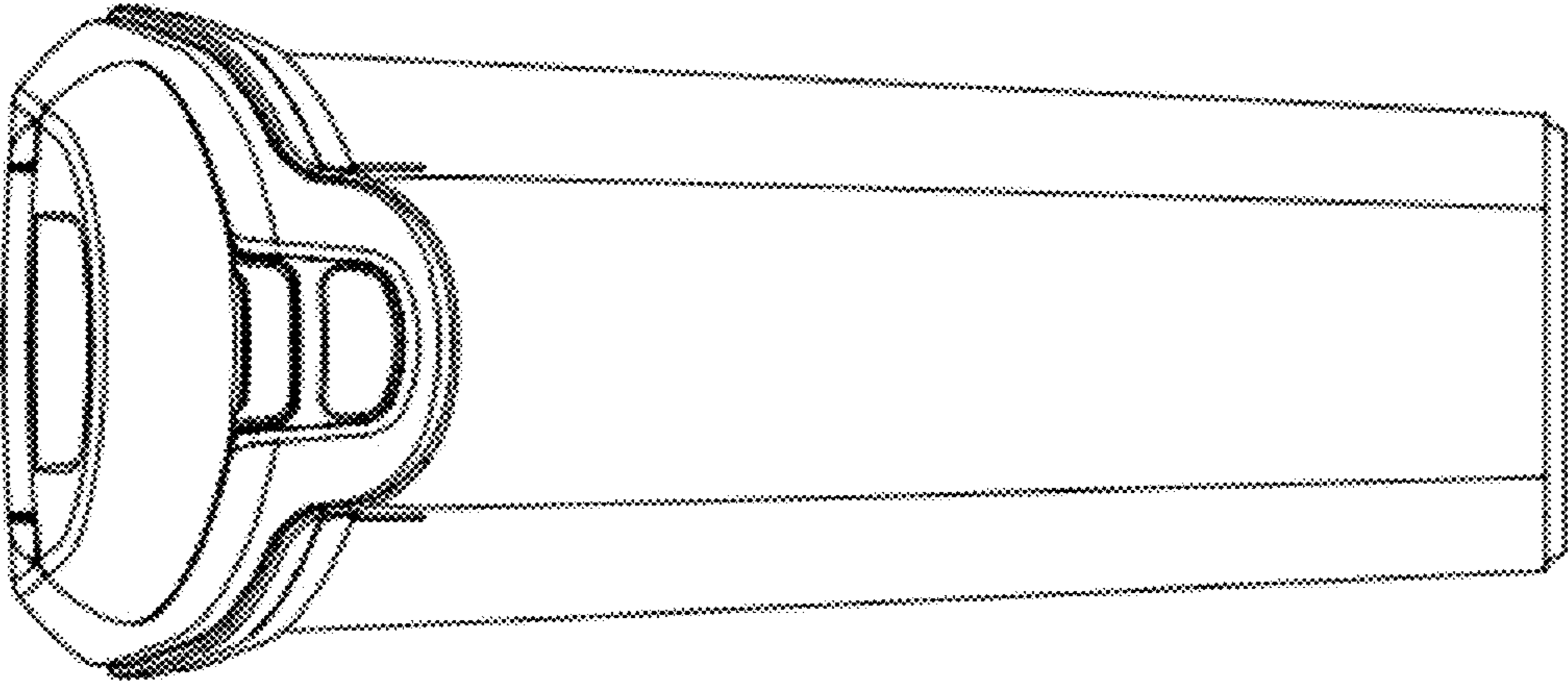


FIG. 2

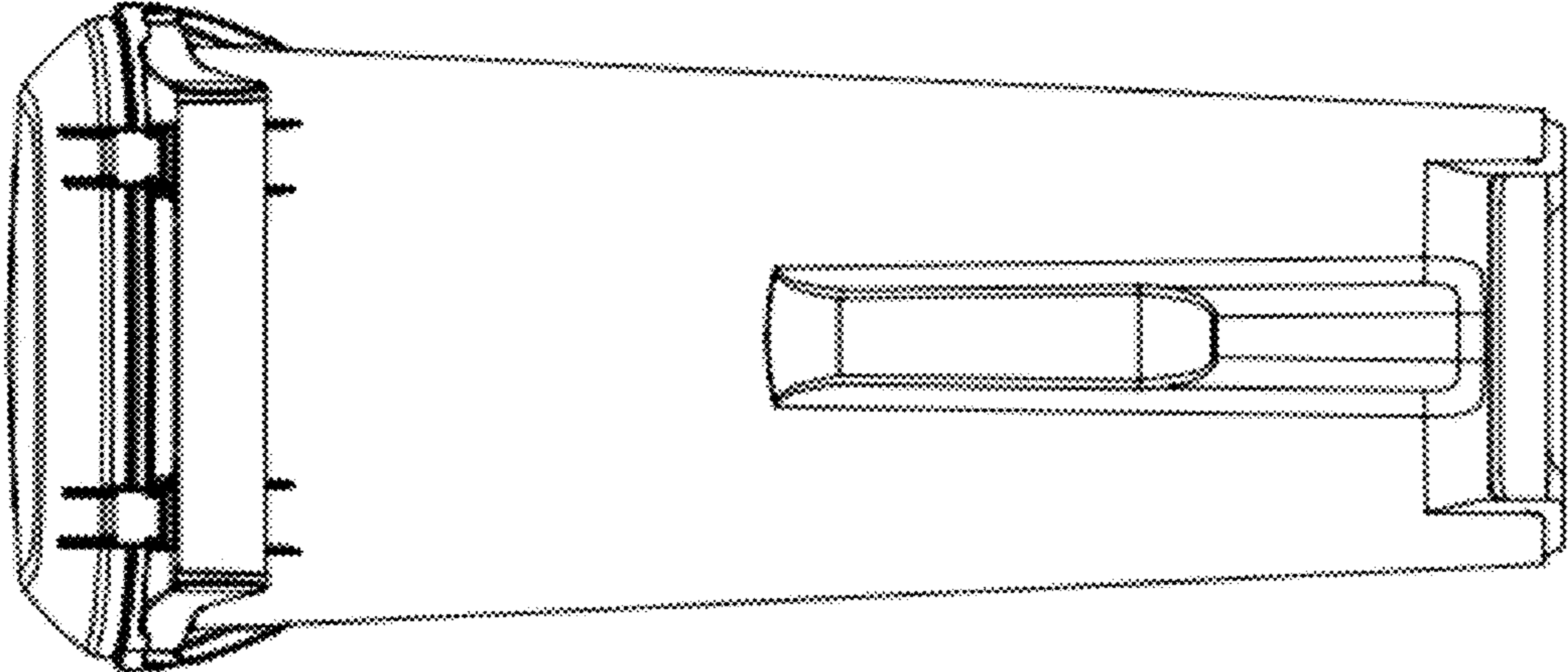


FIG. 3

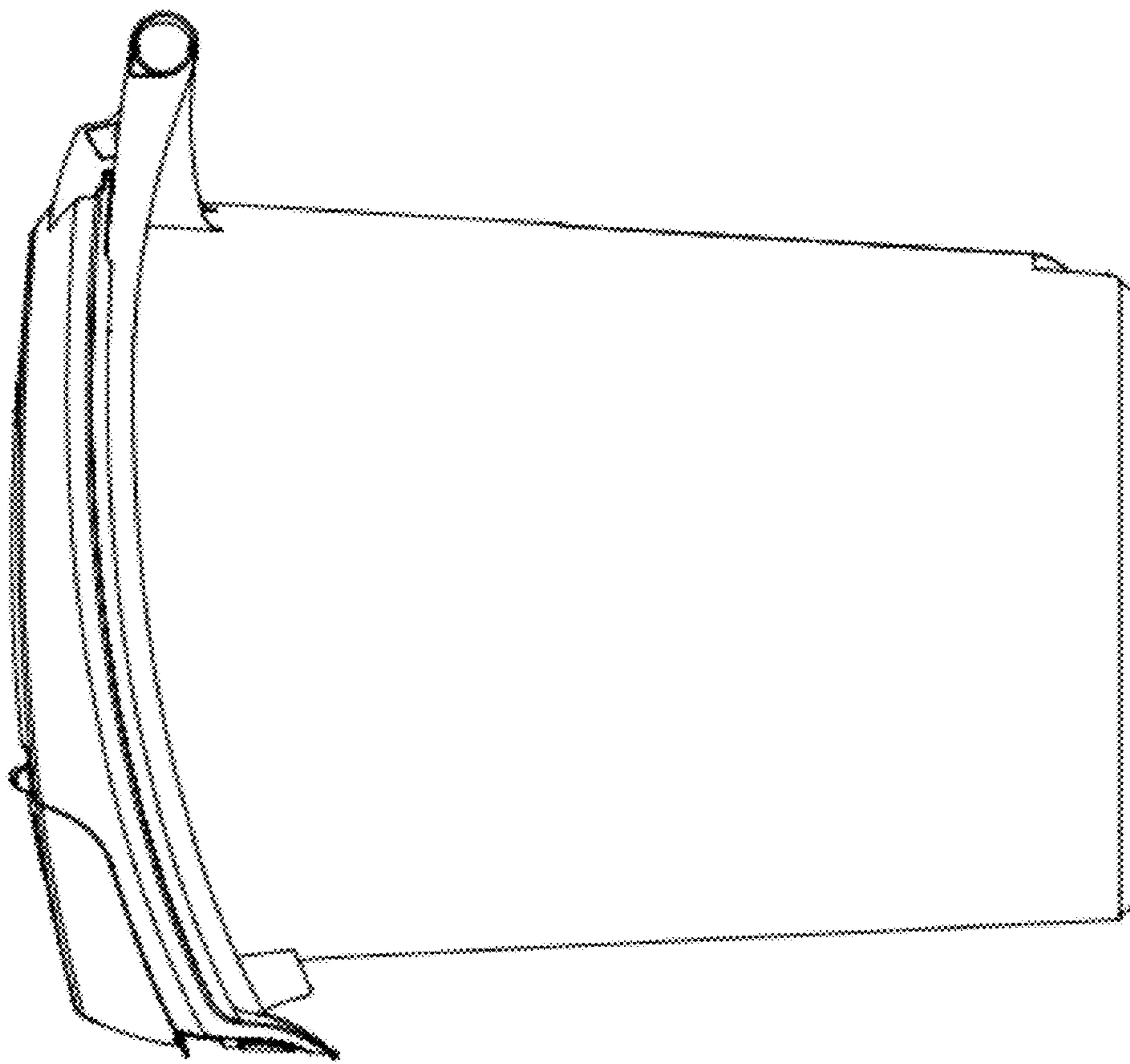


FIG. 4



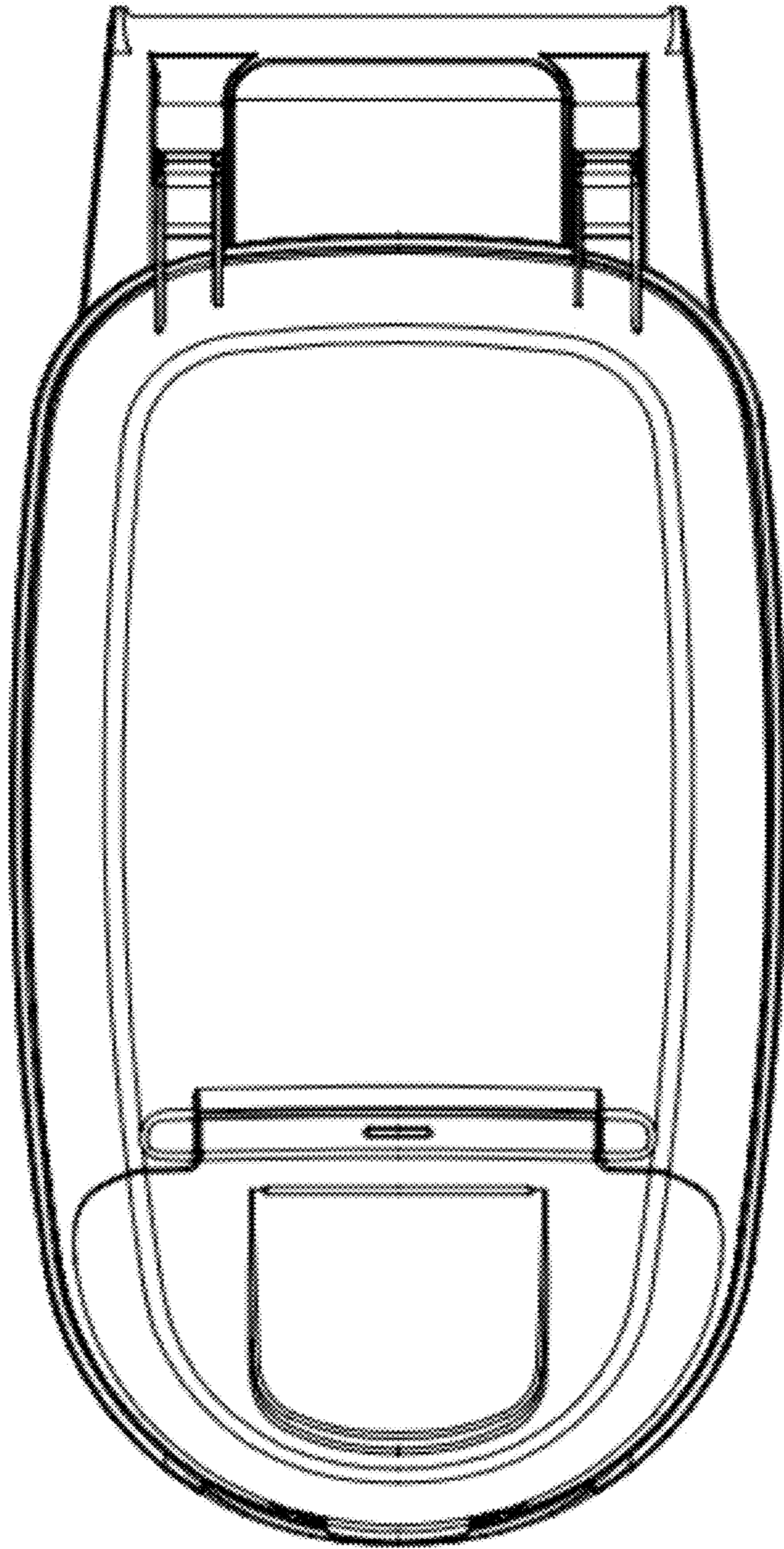


FIG. 5

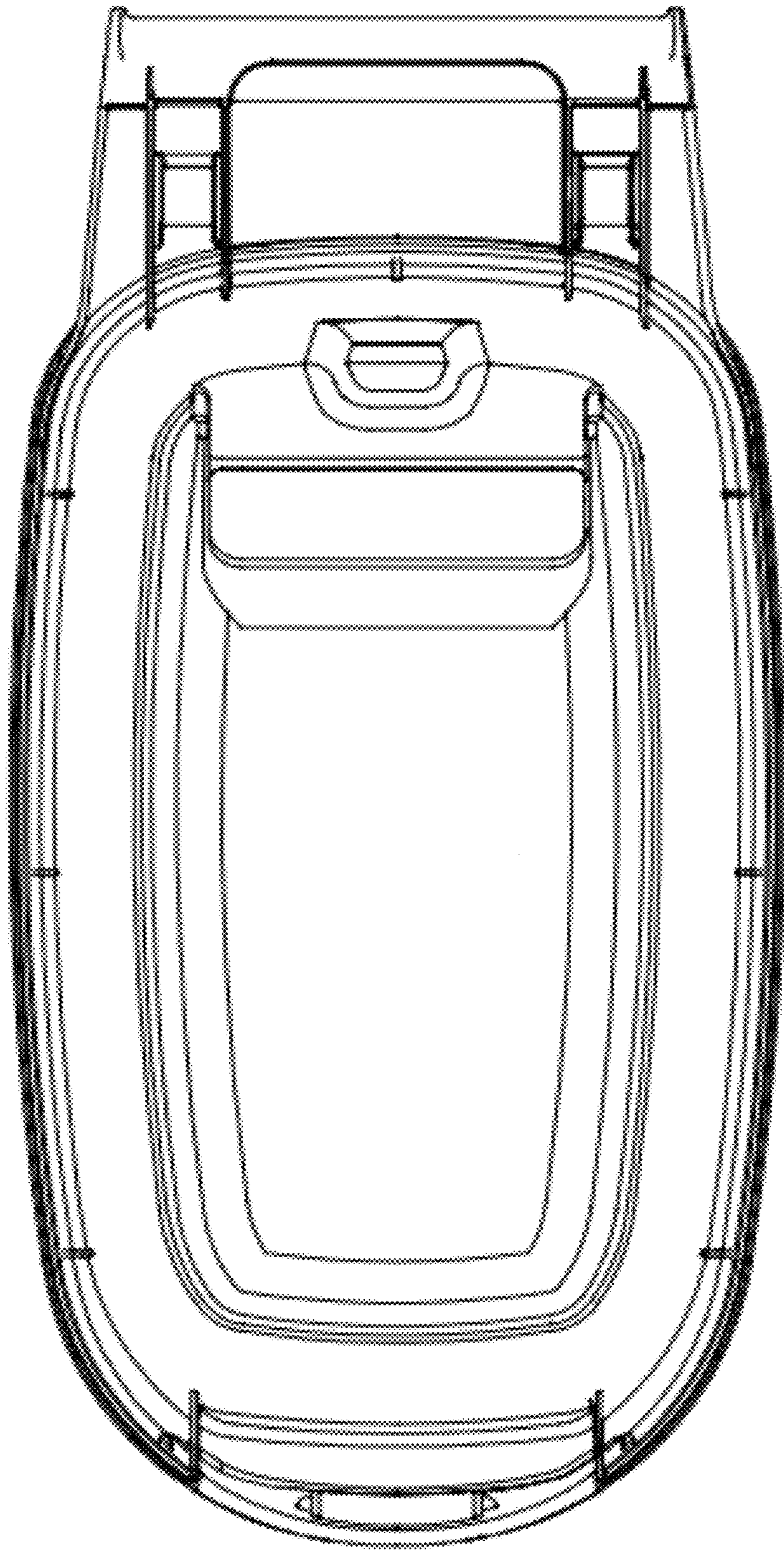


FIG. 6