



US00D674245S

(12) **United States Design Patent**  
**Williams, Jr. et al.**

(10) **Patent No.:** **US D674,245 S**  
(45) **Date of Patent:** **\*\* Jan. 15, 2013**

(54) **COOLER WITH ATTACHED UMBRELLA RECEIVER**

(76) Inventors: **Donald T. Williams, Jr.**, Lakewood, CA (US); **Elvira Munoz**, Lakewood, CA (US)

(\*\*) Term: **14 Years**

(21) Appl. No.: **29/420,394**

(22) Filed: **May 8, 2012**

(51) **LOC (9) Cl.** ..... **07-01**

(52) **U.S. Cl.** ..... **D7/605**

(58) **Field of Classification Search** ..... D7/603-608;  
62/457.1-457.9, 371, 372, 331, 258; D34/24,  
D34/25; 220/915.1, 915.2, 592.2, 592.01,  
220/592.03, 592.16, 592.17; 280/87.043,  
280/30, 79.2, 655, 638, 652, 655.1, 47.26,  
280/47.131, 47.17, 47.23, 47.33, 47.2  
See application file for complete search history.

(56) **References Cited**

U.S. PATENT DOCUMENTS

4,724,681	A *	2/1988	Bartholomew et al. ....	62/239
5,373,708	A *	12/1994	Dumoulin, Jr. ....	62/457.7
5,803,472	A *	9/1998	Lien ....	280/47.26
D416,447	S *	11/1999	Levy et al. ....	D7/605
6,047,976	A	4/2000	Wang	
6,216,488	B1	4/2001	Rucker	
6,536,733	B1	3/2003	Sharp	
6,554,012	B2	4/2003	Patarra	
D486,357	S *	2/2004	Leba et al. ....	D7/605
6,739,150	B2	5/2004	Mompo Garcia	

D514,891	S	2/2006	Garcia et al.	
6,993,931	B1	2/2006	Hamilton	
D528,368	S *	9/2006	Maldonado .....	D7/605
7,140,507	B2 *	11/2006	Maldonado et al. ....	220/592.2
7,143,601	B1	12/2006	Jimenez	
2002/0095947	A1	7/2002	Treppedi et al.	
2005/0279123	A1 *	12/2005	Maldonado et al. ....	62/457.7
2011/0056233	A1	3/2011	Flaker et al.	

\* cited by examiner

*Primary Examiner* — Terry Wallace

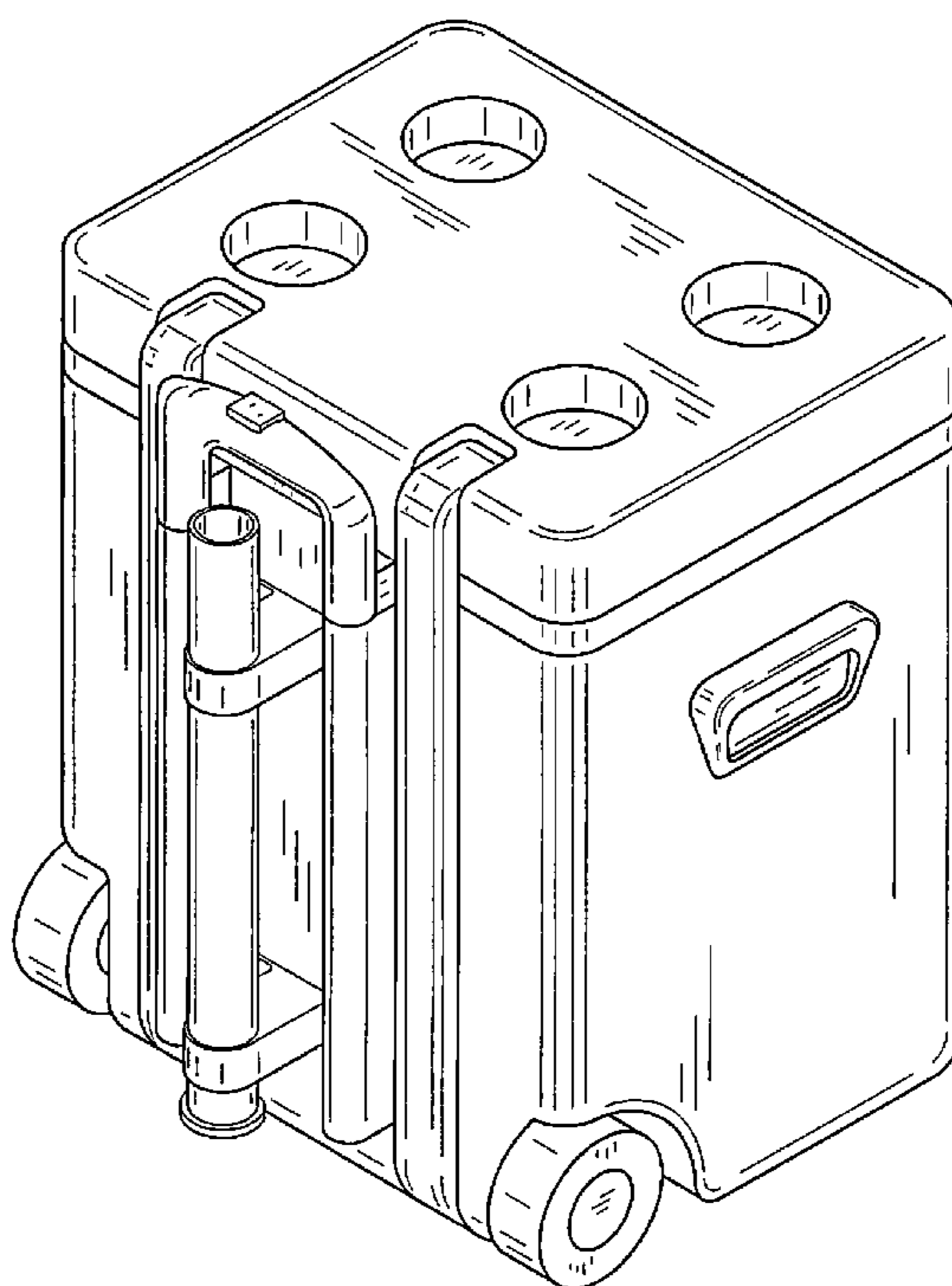
(57) **CLAIM**

The ornamental design for a cooler with attached umbrella receiver, as shown and described.

**DESCRIPTION**

FIG. 1 is a rear elevated view of a cooler with attached umbrella receiver showing my new design;  
 FIG. 2 is a front elevated view of the cooler with attached umbrella receiver;  
 FIG. 3 is a right side elevated view of the cooler with attached umbrella receiver, a left side elevated view being a mirror thereof, the broken portion thereof being provided to indicate a depth of an umbrella receiver;  
 FIG. 4 is a top plan view of the cooler with attached umbrella receiver;  
 FIG. 5 is a bottom plan view of the cooler with attached umbrella receiver.  
 FIG. 6 is a rear perspective view of the cooler with attached umbrella receiver; and,  
 FIG. 7 is a front perspective view of the cooler with attached umbrella receiver.

**1 Claim, 6 Drawing Sheets**



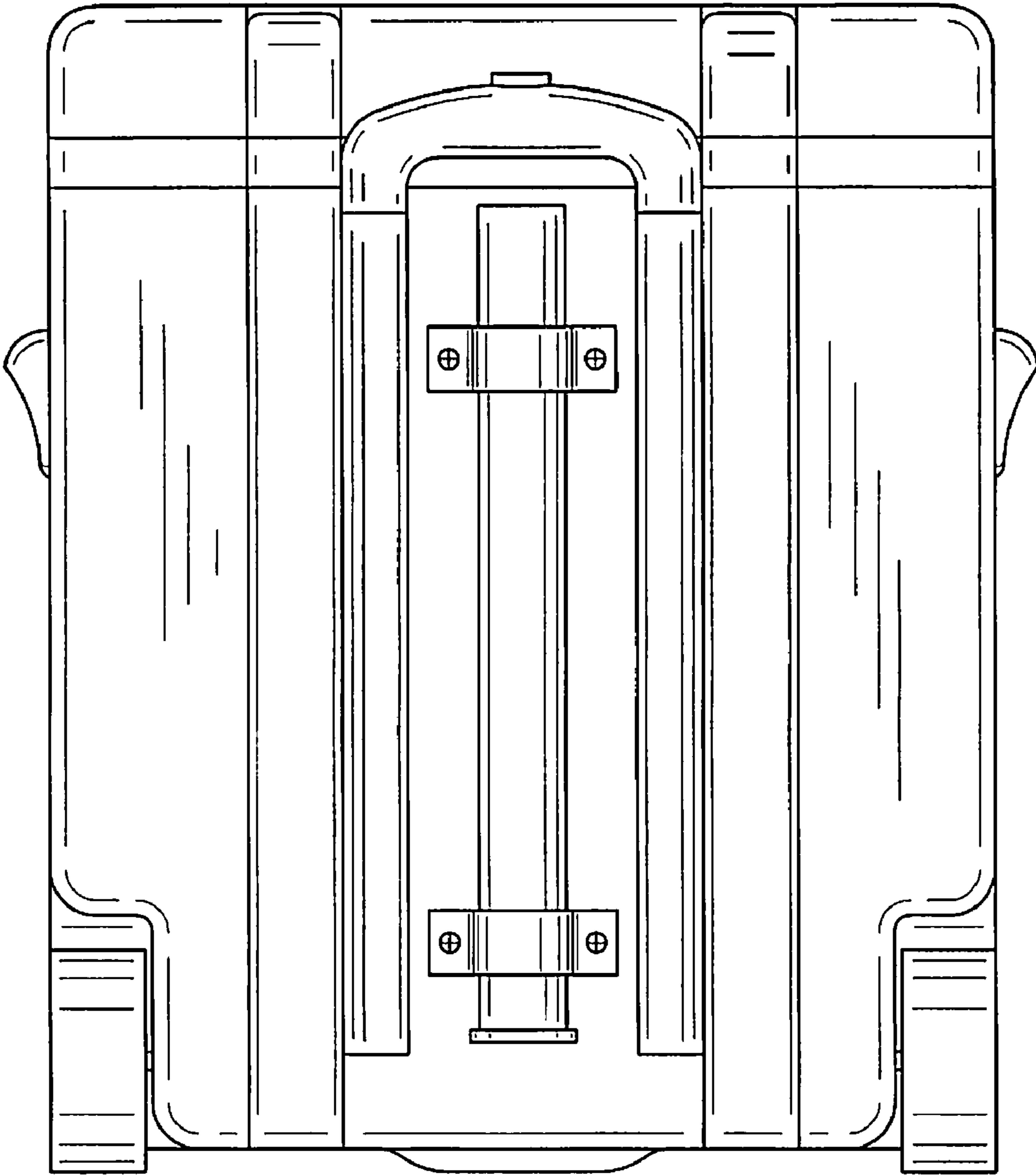


FIG. 1

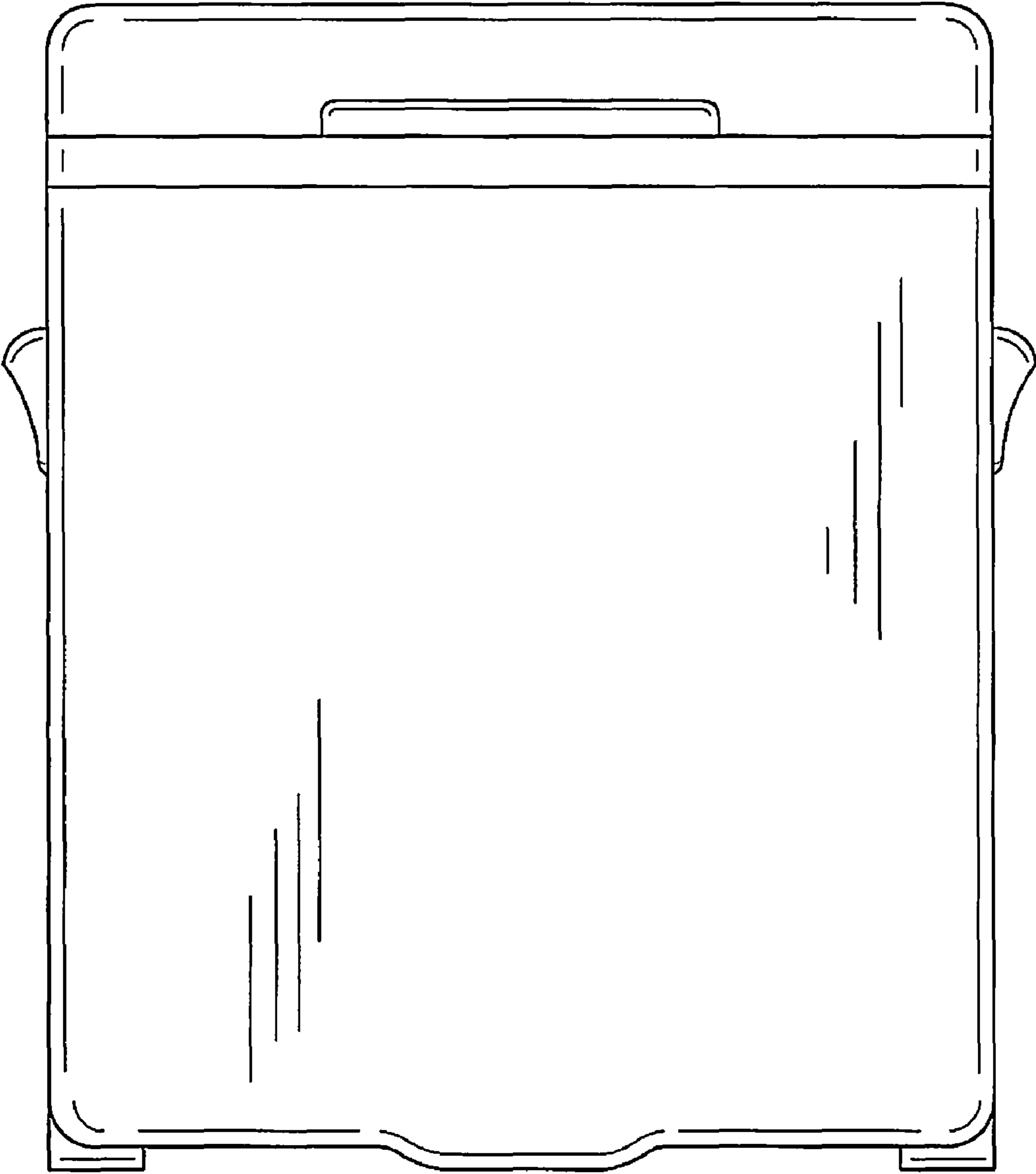


FIG. 2

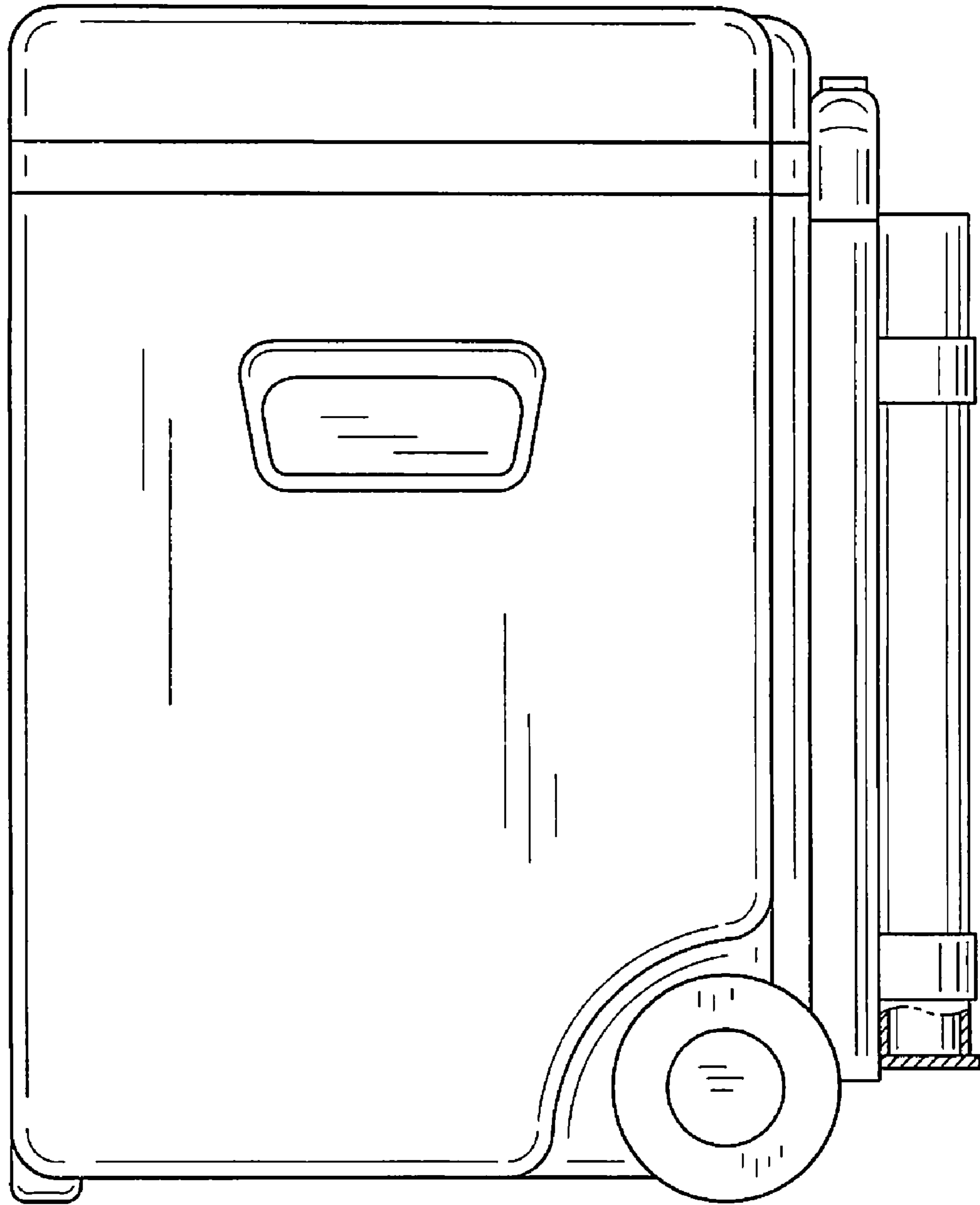


FIG. 3

FIG. 4

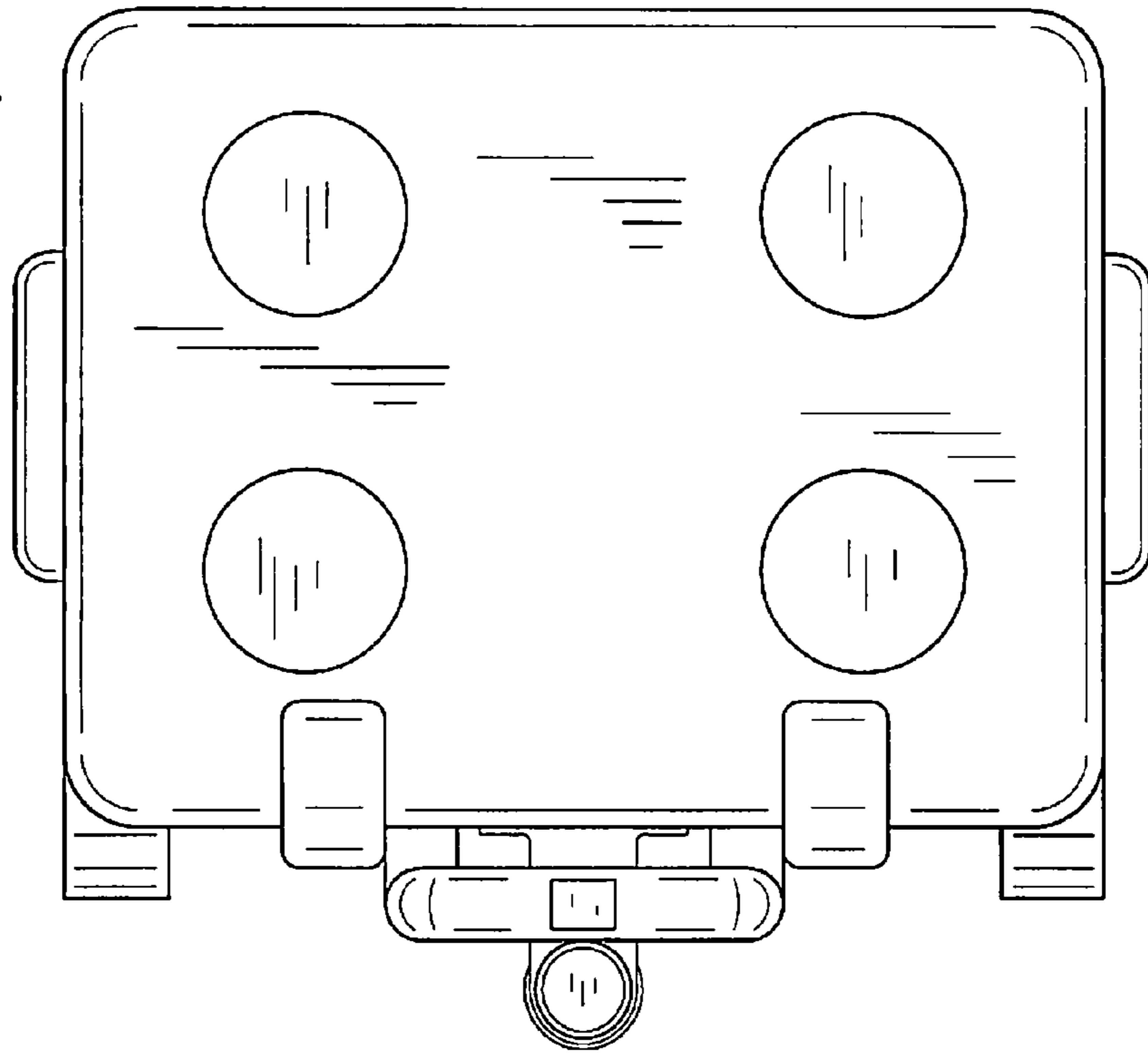
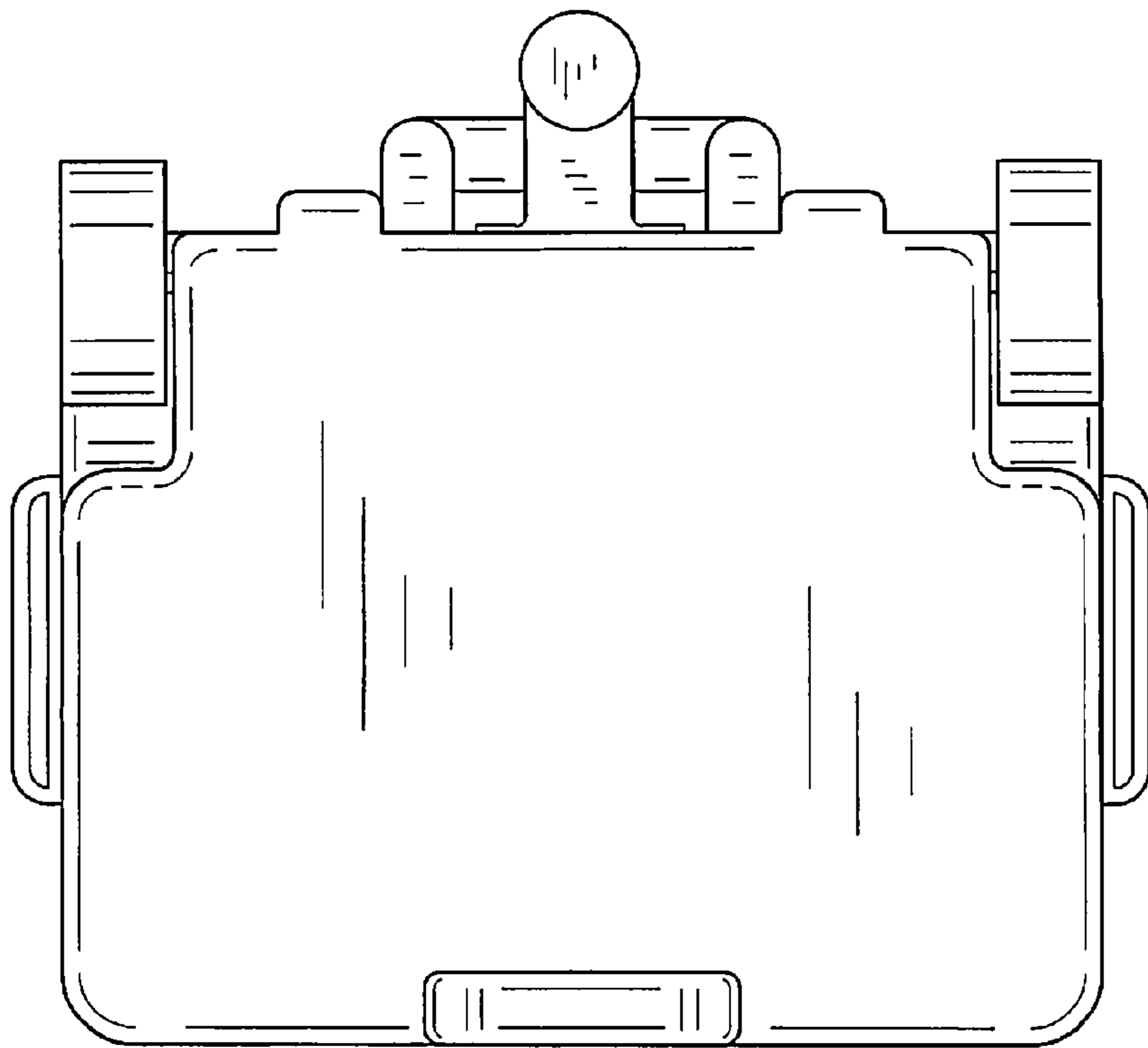


FIG. 5



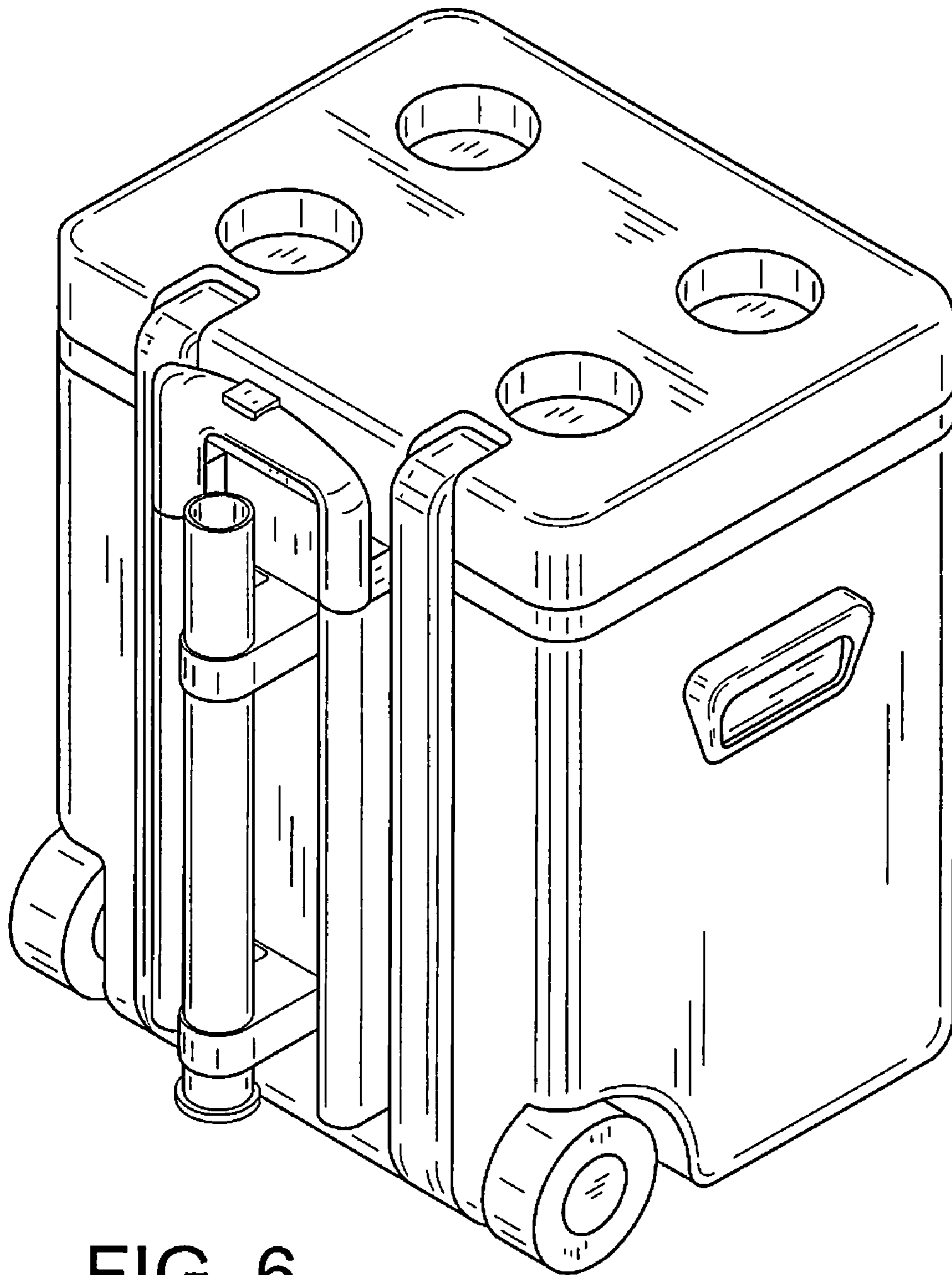


FIG. 6



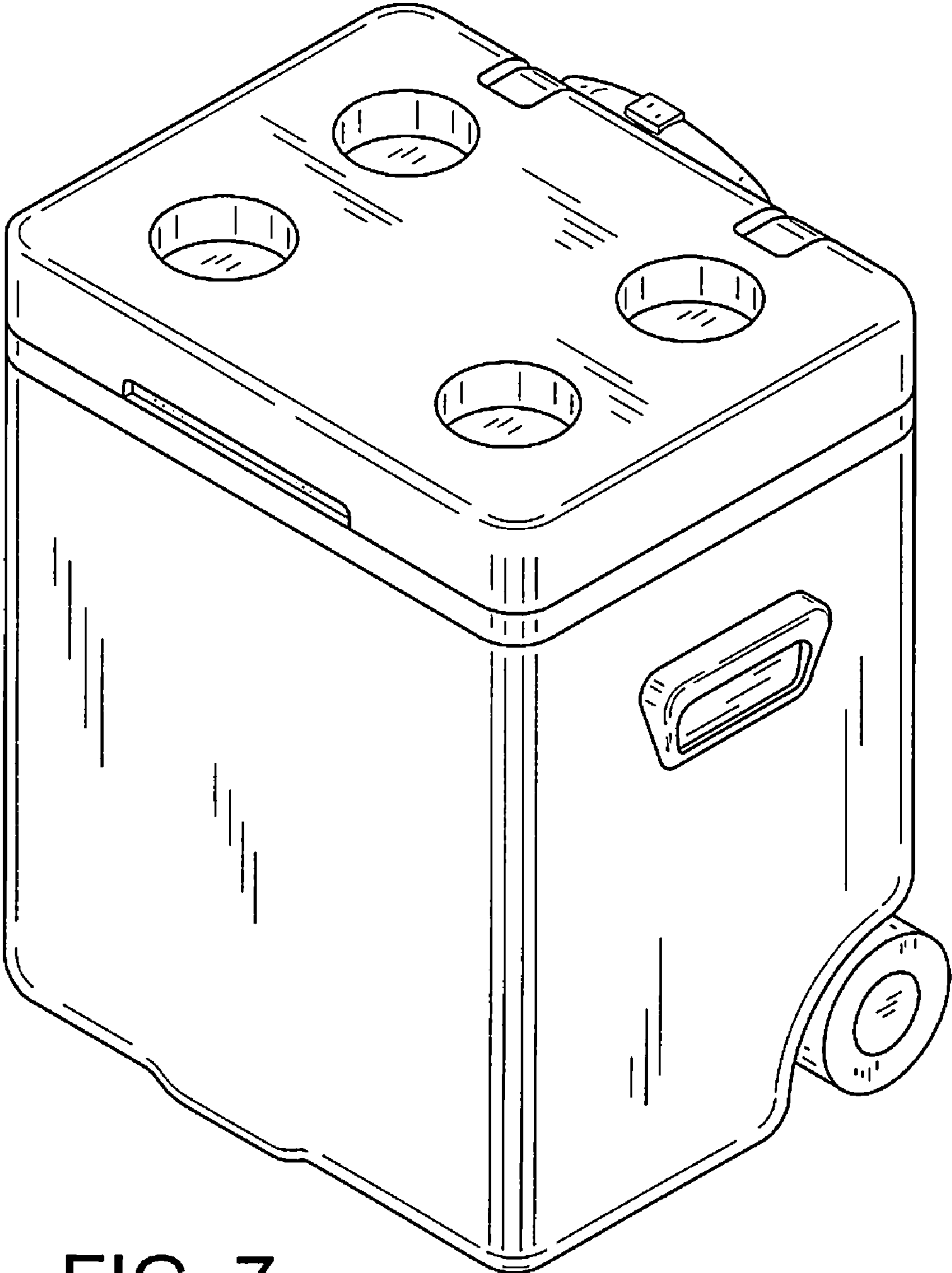


FIG. 7