



US00D674241S

(12) **United States Design Patent**
Bickert et al.

(10) **Patent No.:** **US D674,241 S**
(45) **Date of Patent:** **** Jan. 15, 2013**

- (54) **TUMBLER**
- (75) Inventors: **Robert Bickert**, Mobile, AL (US);
Mark Eyman, Chicago, IL (US);
Michael Prince, Chicago, IL (US)
- (73) Assignee: **EBSCO Industries, Inc.**, Birmingham,
AL (US)

- 2,979,267 A 4/1961 Miller
- 3,038,256 A 6/1962 Mayer
- D201,320 S 6/1965 Hirohama
- D211,046 S 5/1968 Saffran
- D218,698 S 9/1970 Mannheimer, Jr.
- 3,648,369 A 3/1972 Frodsham
- 3,904,072 A 9/1975 Whiteside

(Continued)

(**) Term: **14 Years**

(21) Appl. No.: **29/392,653**

(22) Filed: **May 24, 2011**

Related U.S. Application Data

- (63) Continuation-in-part of application No. 29/390,295,
filed on Apr. 22, 2011, now Pat. No. Des. 649,389.
 - (51) **LOC (9) Cl.** **07-01**
 - (52) **U.S. Cl.** **D7/510; D7/525**
 - (58) **Field of Classification Search** D7/510,
D7/507, 511, 532, 500, 300.2; 215/388;
206/217, 388; 220/705
- See application file for complete search history.

(56) **References Cited**

U.S. PATENT DOCUMENTS

- 674,446 A 5/1901 Marx
- D64,325 S 3/1924 Smyth
- D64,326 S 3/1924 Smyth
- D98,420 S 2/1936 Deskey
- 2,092,353 A 9/1937 Kyseth et al.
- D162,302 S 3/1951 Horne
- 2,613,107 A 10/1952 Hartnett
- D171,434 S 2/1954 Borgfeldt
- 2,682,970 A 7/1954 Brothers, Jr.
- 2,956,721 A 10/1960 Bennett

FOREIGN PATENT DOCUMENTS

EP 1 832 208 9/2007

(Continued)

OTHER PUBLICATIONS

U.S. Appl. No. 29/390,299, filed Apr. 22, 2011, Bickert et al.

(Continued)

Primary Examiner — Cynthia Underwood

(74) *Attorney, Agent, or Firm* — Smith Gambrell & Russell
LLP

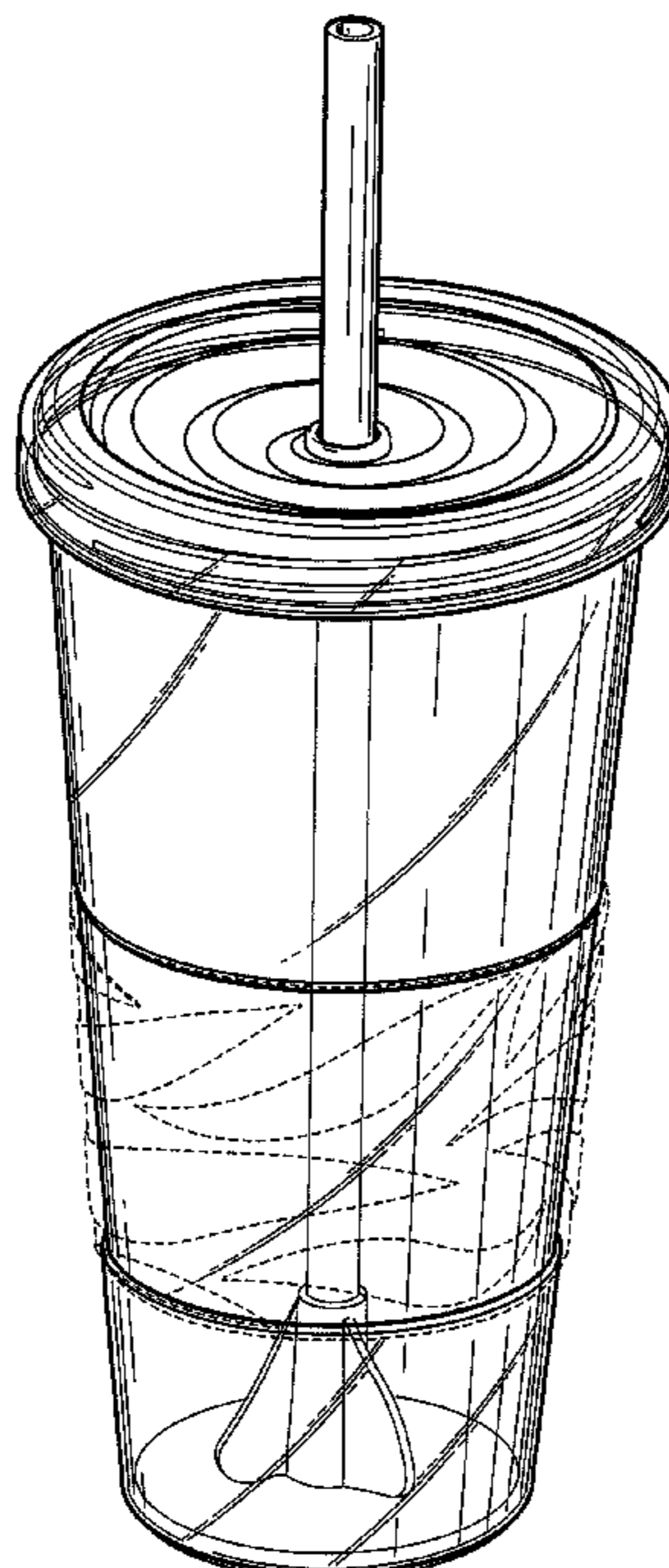
(57) **CLAIM**

The ornamental design for a tumbler, as shown and described.

DESCRIPTION

FIG. 1 is a perspective view of the tumbler;
 FIG. 2 is a top view of the tumbler of FIG. 1;
 FIG. 3 is a bottom view of the tumbler of FIG. 1;
 FIG. 4 is a front side view of the tumbler grip of FIG. 1;
 FIG. 5 is a rear side view of the tumbler opposite the front
 view of FIG. 1.
 FIG. 6 is a first side view of the tumbler of FIG. 1; and,
 FIG. 7 is a second side view of the tumbler of FIG. 1.
 The broken lines are for illustrative purposes only and form
 no part of the claim.

1 Claim, 3 Drawing Sheets



US D674,241 S

Page 2

U.S. PATENT DOCUMENTS

D240,595	S	7/1976	Kress	
4,121,835	A *	10/1978	Garabedian	369/68
4,183,168	A	1/1980	Ross	
4,260,267	A	4/1981	Walton	
4,302,901	A	12/1981	Psyras	
4,494,668	A *	1/1985	Lottick	220/709
D278,065	S	3/1985	Sydrowski et al.	
D291,040	S	7/1987	Dart	
D297,309	S	8/1988	Andersson	
D301,691	S	6/1989	Mobberley	
D304,893	S	12/1989	Scaggs	
D317,972	S	7/1991	Liu et al.	
D318,220	S	7/1991	Stenberg	
D328,905	S	8/1992	Triano	
5,222,656	A	6/1993	Carlson	
D358,294	S	5/1995	Letica	
D362,834	S	10/1995	Stout et al.	
D381,267	S	7/1997	Rush et al.	
D381,268	S	7/1997	Rush et al.	
D383,947	S	9/1997	Schaefer	
D393,566	S	4/1998	Buehner	
D401,122	S	11/1998	Rench et al.	
D402,847	S	12/1998	Kinder	
D417,845	S	12/1999	Sadlier et al.	
D422,841	S	4/2000	Milford et al.	
6,056,206	A	5/2000	Whiton	
D440,810	S	4/2001	Olson	
6,260,729	B1	7/2001	Mitchell	
6,265,040	B1	7/2001	Neale et al.	
D451,760	S	12/2001	Fox	
6,561,434	B2	5/2003	Kaplan	
6,619,833	B1	9/2003	Skudelny	
D489,573	S	5/2004	Li	
6,814,253	B2	11/2004	Wong	
D509,707	S	9/2005	Tien	
D512,872	S	12/2005	McMahon	
D532,242	S	11/2006	Aikens	
D548,012	S	8/2007	Tien	
D550,078	S	9/2007	Henry	
D565,950	S	4/2008	Mitchell	
7,441,940	B2	10/2008	Vanek	
7,484,639	B2	2/2009	Maravich et al.	
7,537,136	B2	5/2009	Hechmati	
D595,099	S	6/2009	Dederer	
D600,496	S	9/2009	Fernandes	
D600,510	S	9/2009	Courington et al.	
D603,653	S	11/2009	Wong	
D612,196	S	3/2010	Furlong	
7,699,216	B2	4/2010	Smith et al.	
D618,967	S	7/2010	Bodum	
D621,659	S	8/2010	Liu	

D623,474	S *	9/2010	Carlson et al.	D7/510
D623,476	S	9/2010	Carlson et al.	
D631,936	S	2/2011	Wright	
7,922,031	B1	4/2011	Prince	
D638,243	S *	5/2011	Carlson et al.	D7/300.2
D638,244	S	5/2011	Wallace	
D640,094	S *	6/2011	Carlson et al.	D7/510
D640,507	S	6/2011	Selina et al.	
D642,057	S	7/2011	Reed	
D643,689	S	8/2011	Selina et al.	
D643,690	S	8/2011	Selina et al.	
D643,691	S	8/2011	Selina et al.	
D643,692	S	8/2011	Selina et al.	
8,006,861	B2	8/2011	Kim	
D645,741	S	9/2011	Dunwoody	
D648,985	S *	11/2011	Chiu et al.	D7/510
D656,365	S	3/2012	Bickert et al.	
D662,362	S	6/2012	Bickert et al.	
2004/0128877	A1	7/2004	Luedde	
2006/0027640	A1	2/2006	Smith et al.	
2006/0186129	A1	8/2006	Allnutt et al.	
2007/0125787	A1	6/2007	Oathout et al.	
2007/0125791	A1	6/2007	Donnelly et al.	
2007/0181591	A1 *	8/2007	Pierce et al.	220/801
2008/0078824	A1	4/2008	Spiegel et al.	
2008/0128529	A1	6/2008	Fernandez	
2008/0264937	A1	10/2008	D'Amato	
2009/0050641	A1	2/2009	Ivey	
2009/0110782	A1	4/2009	Mellor	
2010/0000998	A1	1/2010	Schutz	
2011/0062168	A1	3/2011	Chow et al.	

FOREIGN PATENT DOCUMENTS

WO WO 2009/008587 1/2009

OTHER PUBLICATIONS

U.S. Appl. No. 29/392,654, filed May 24, 2011, Bickert et al.
 U.S. Appl. No. 29/392,401, filed May 20, 2011, Bickert et al.
 Playtex Baby Twist n' Click Lil' Gripper No-Spout replacement Lid:
<http://www.playtexstore.com/cgi-bin/item/TB50036>; available at
 least as early as Feb. 3, 2011.
 Applicant's copending U.S. Appl. No. 29/390,299; Robert Bickert
 (First named inventor); filed on Apr. 22, 2011.
 Applicant's copending U.S. Appl. No. 29/392,654; Robert Bickert
 (First named inventor); filed on May 24, 2011.
 Applicant's copending U.S. Appl. No. 29/392,401; Robert Bickert
 (First named inventor); filed on May 20, 2011.
 U.S. Appl. No. 29/392,722, Bickert et al.
 U.S. Appl. No. 29/393,720, Bickert et al.

* cited by examiner

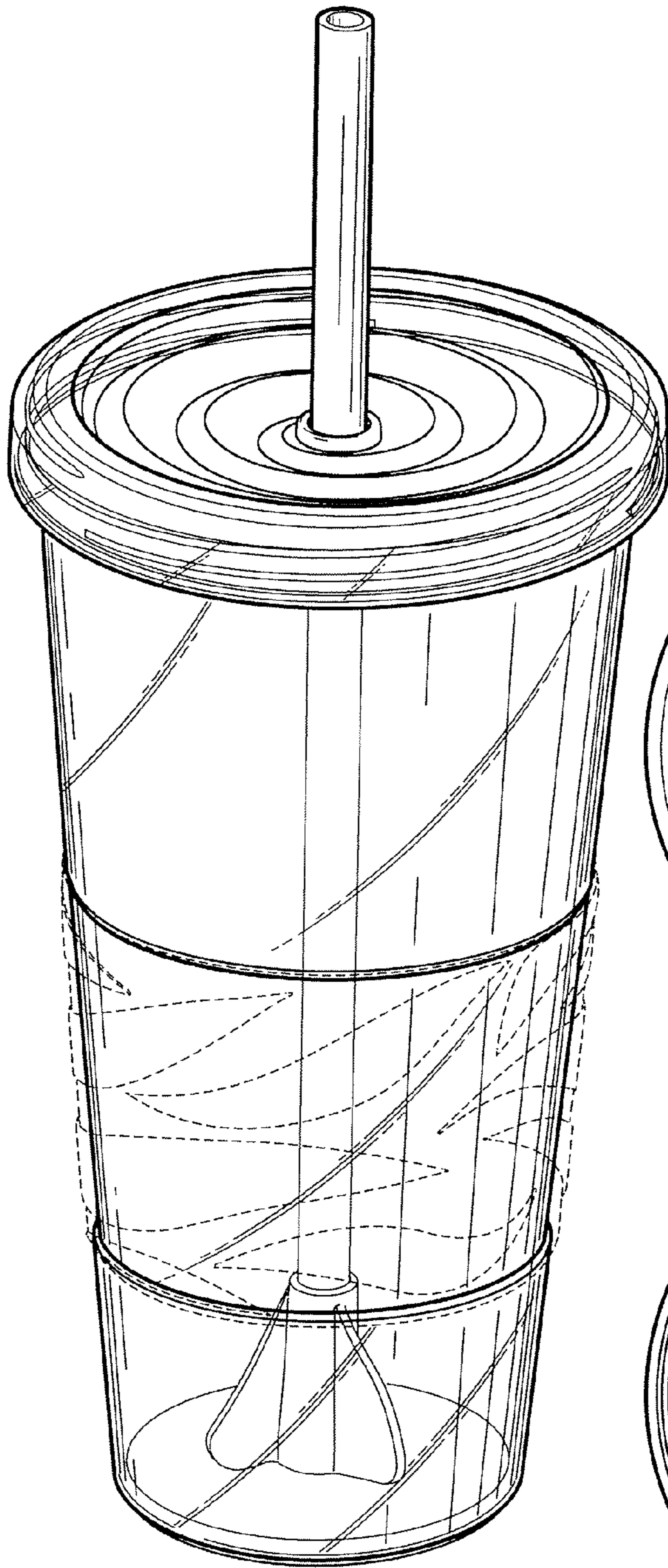


FIG. 1

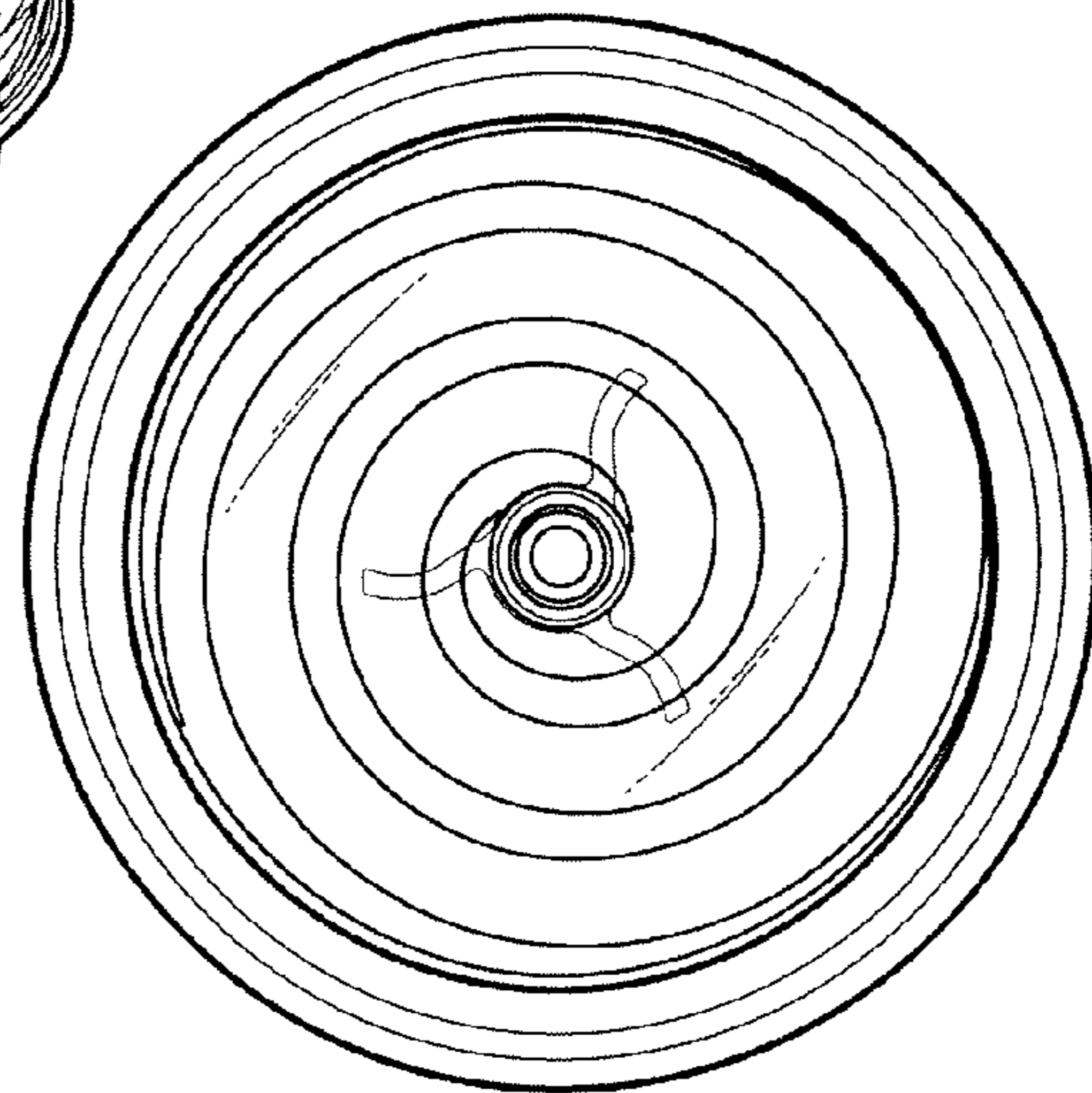


FIG. 2

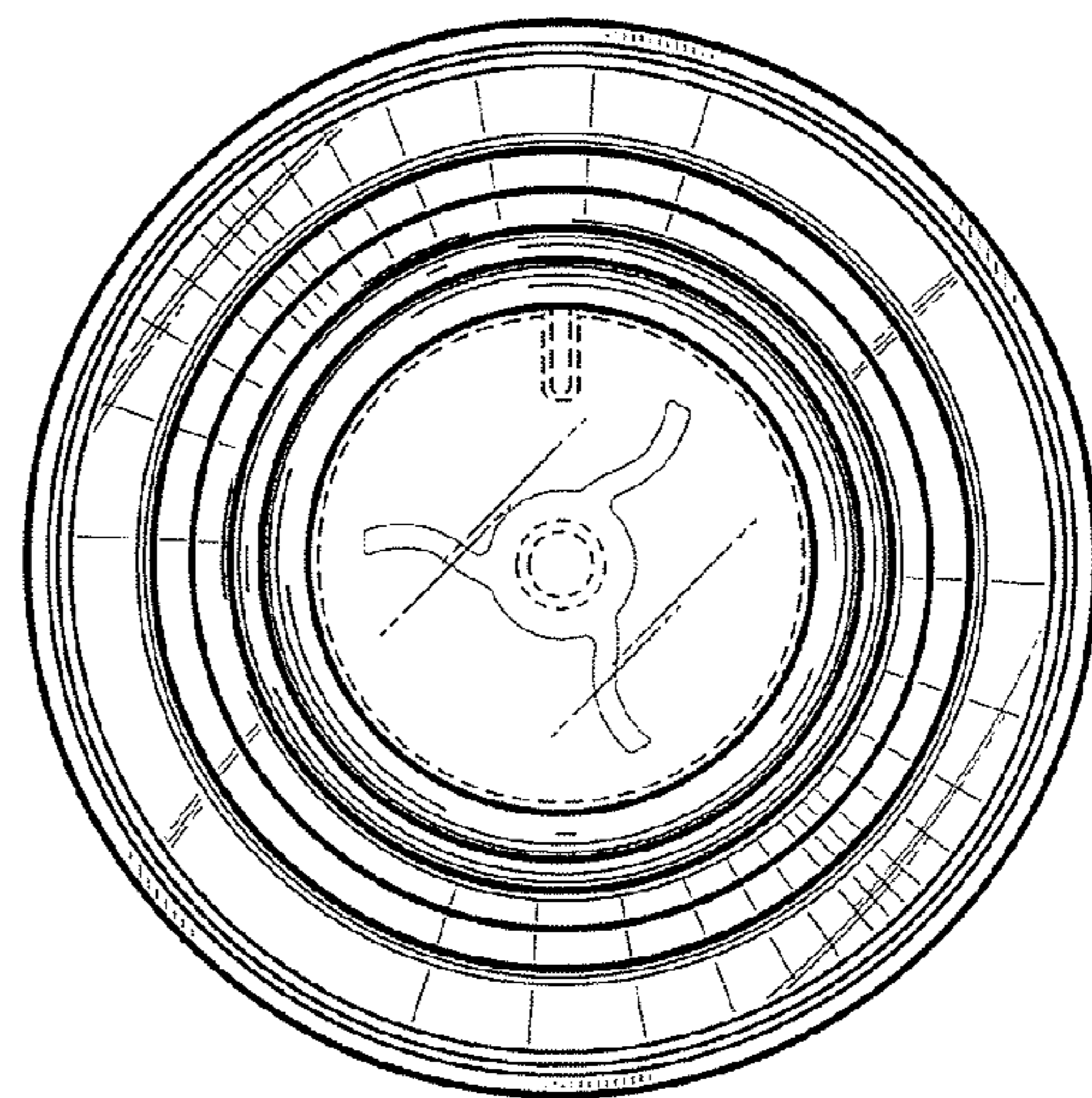


FIG. 3

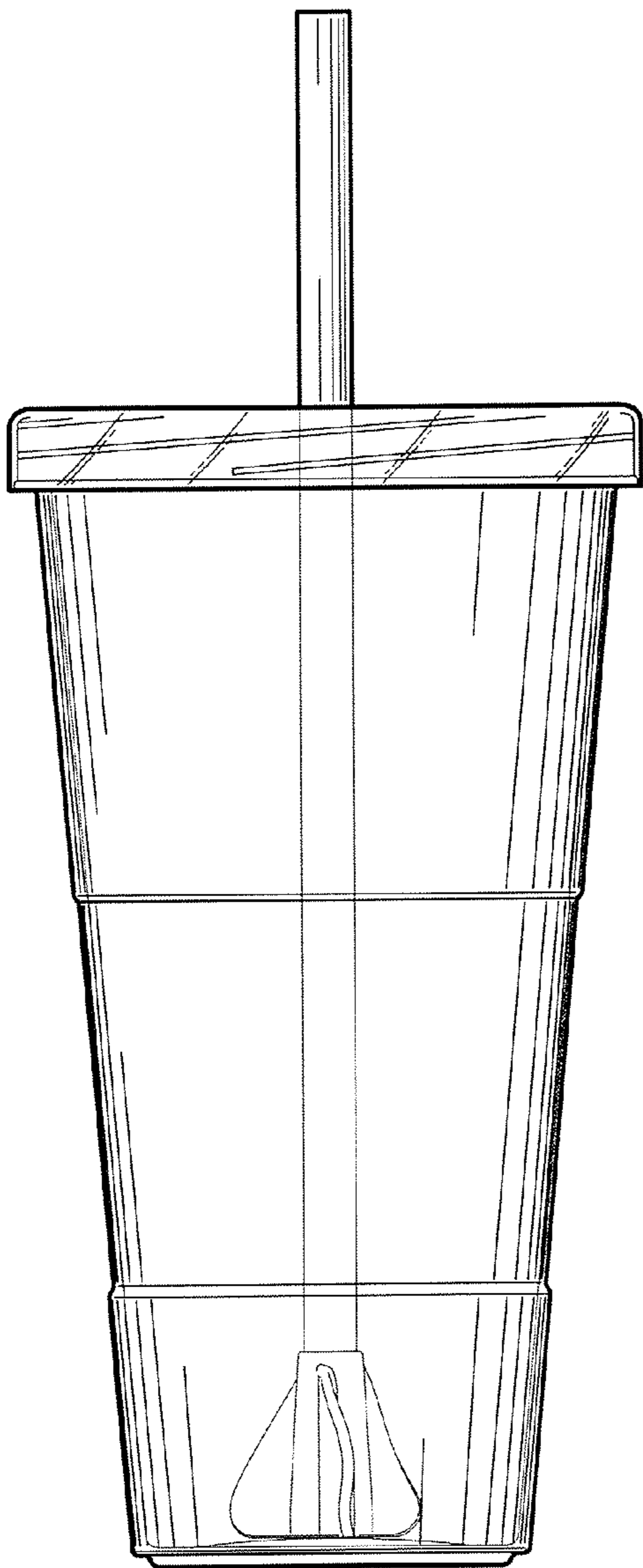


FIG. 4

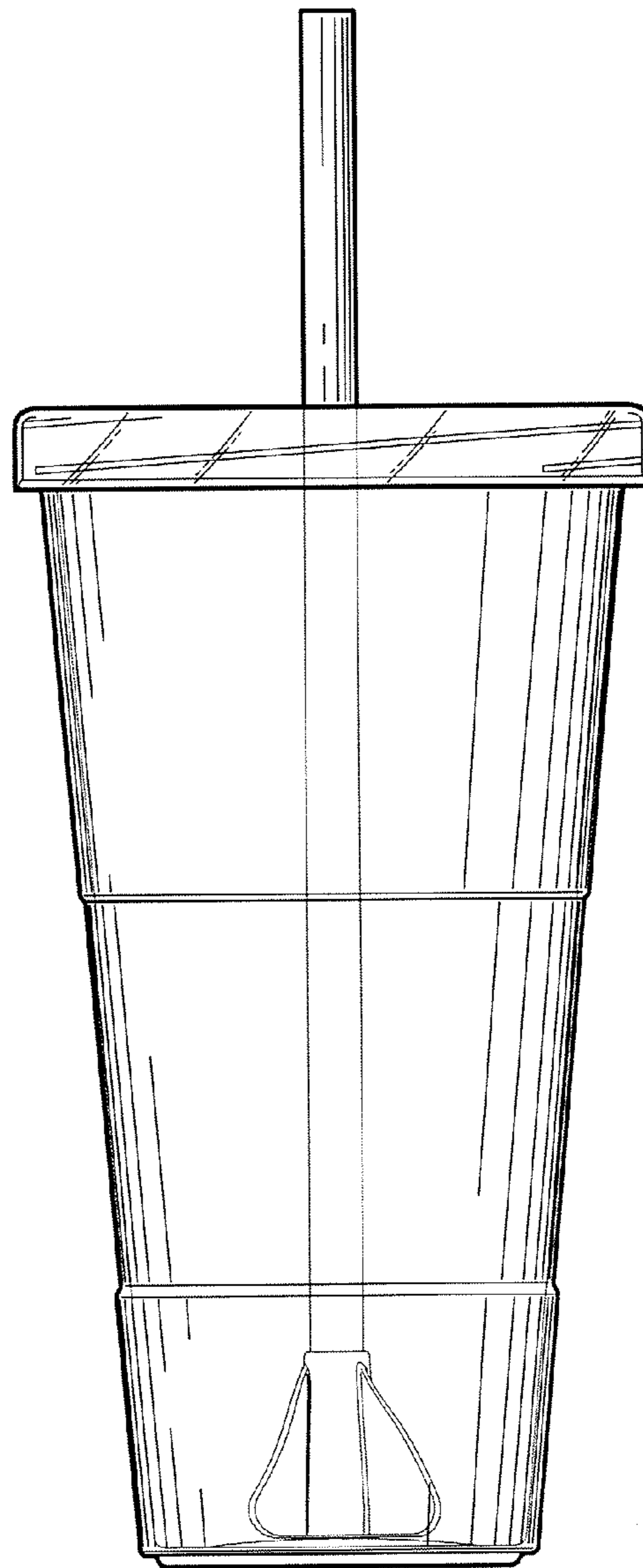


FIG. 5

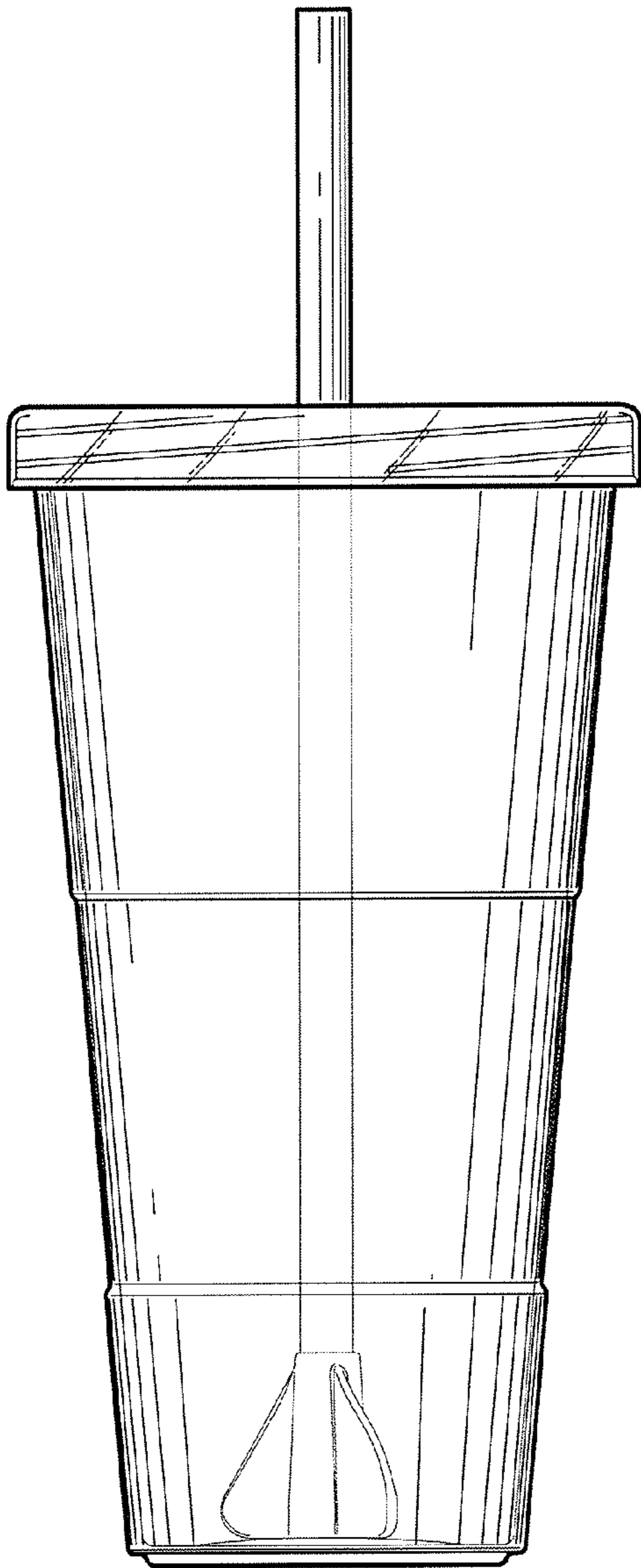


FIG. 6

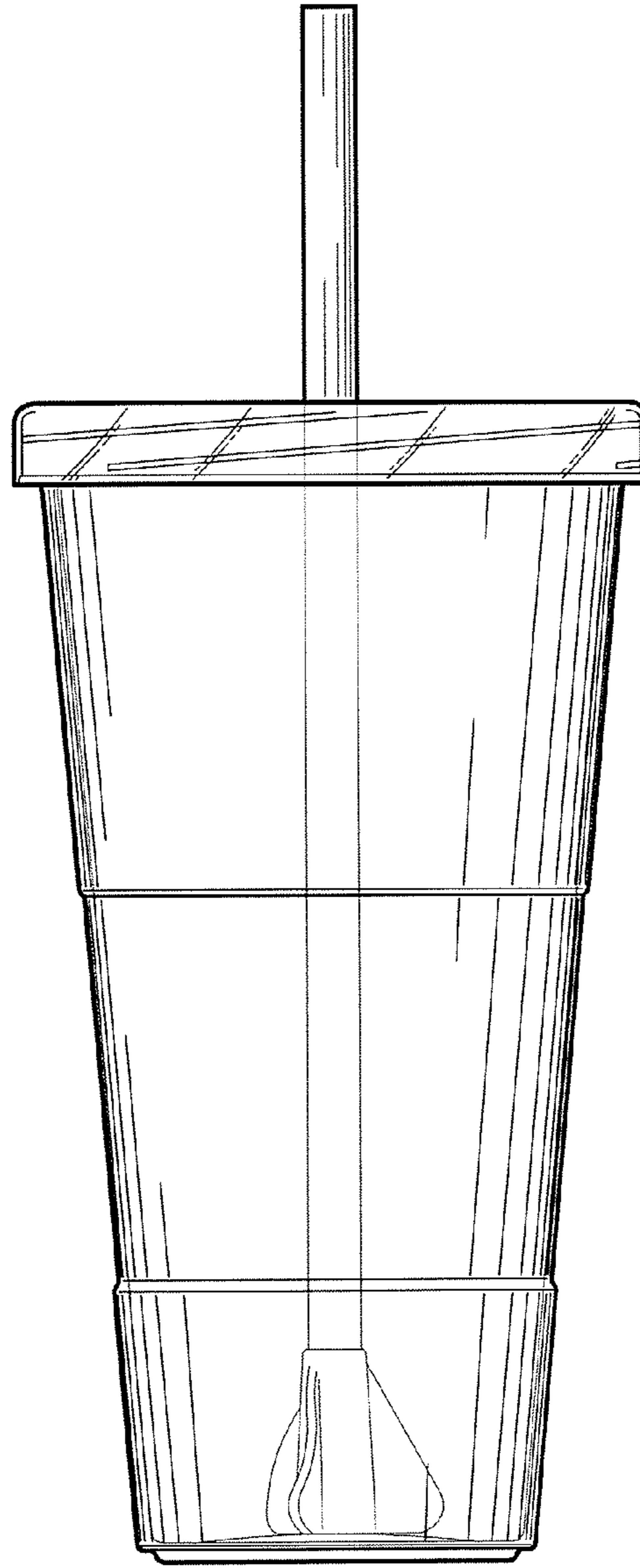


FIG. 7