

US00D674240S

(12) **United States Design Patent**  
**Wilder et al.**

(10) **Patent No.:** **US D674,240 S**  
(45) **Date of Patent:** **\*\* Jan. 15, 2013**

- (54) **TRAY FOR A LIQUID DISPENSER**
- (75) Inventors: **Haim Wilder**, Raanana (IL); **Eyal Krystal**, Kfar Saba (IL); **Omri Bar-On**, Jerusalem (IL); **Shlomi Hillel**, Petach Tikva (IL)
- (73) Assignee: **Strauss Water Ltd.**, Petach Tikva (IL)
- (\*\*) Term: **14 Years**
- (21) Appl. No.: **29/422,983**
- (22) Filed: **May 25, 2012**

D608,132 S *	1/2010	Bertolina	.....	D7/309
D610,389 S *	2/2010	Borin et al.	.....	D7/309
D611,289 S *	3/2010	de Visser	.....	D7/309
7,703,382 B2 *	4/2010	Oranski et al.	.....	99/295
D622,534 S *	8/2010	Zimmermann	.....	D7/307
D623,461 S *	9/2010	Ashbridge	.....	D7/306
D623,462 S *	9/2010	Ashbridge	.....	D7/306
D630,471 S *	1/2011	Wang	.....	D7/397
7,987,769 B2 *	8/2011	Oranski et al.	.....	99/295
D645,289 S *	9/2011	Lenzi	.....	D7/309
D646,109 S *	10/2011	Zoppellari	.....	D7/309
D646,518 S *	10/2011	De' Longhi	.....	D7/309
D648,972 S *	11/2011	Buttler	.....	D7/309
D649,826 S *	12/2011	Garman	.....	D7/306
D660,071 S *	5/2012	Berlencourt	.....	D7/309
D665,218 S *	8/2012	Iseli	.....	D7/309

\* cited by examiner

**Related U.S. Application Data**

- (62) Division of application No. 29/389,614, filed on Apr. 14, 2011.

*Primary Examiner* — Marianne Pandozzi

(74) *Attorney, Agent, or Firm* — Nath, Goldberg & Meyer; Jerald L. Meyer

(30) **Foreign Application Priority Data**

Oct. 14, 2010 (IL)	.....	50163
Oct. 14, 2010 (IL)	.....	50164
Oct. 14, 2010 (IL)	.....	50165
Oct. 14, 2010 (IL)	.....	50166
Dec. 30, 2010 (IL)	.....	50468

(57) **CLAIM**

The ornamental design for a tray for a liquid dispenser, as shown and described.

- (51) **LOC (9) Cl.** ..... **07-99**
- (52) **U.S. Cl.** ..... **D7/399; D7/397**
- (58) **Field of Classification Search** ..... D7/306-311, D7/300, 397, 399, 406; D15/80; 222/146.6; D23/209, 207; 99/295, 305; D6/545, 542, D6/467

**DESCRIPTION**

FIG. 1 is a perspective view of a tray for a liquid dispenser showing our new design in extended position;  
 FIG. 2 is a front elevational view thereof;  
 FIG. 3 is a left side elevational view thereof, the right side being a mirror image;  
 FIG. 4 is a top plan view thereof;  
 FIG. 5 is a bottom perspective view thereof;  
 FIG. 6 is a perspective view of a tray for a liquid dispenser showing our new design in closed position; and,  
 FIG. 7 is a front elevational view thereof.  
 The broken lines are included for the purpose of illustrating environment and form no part of the claimed design.

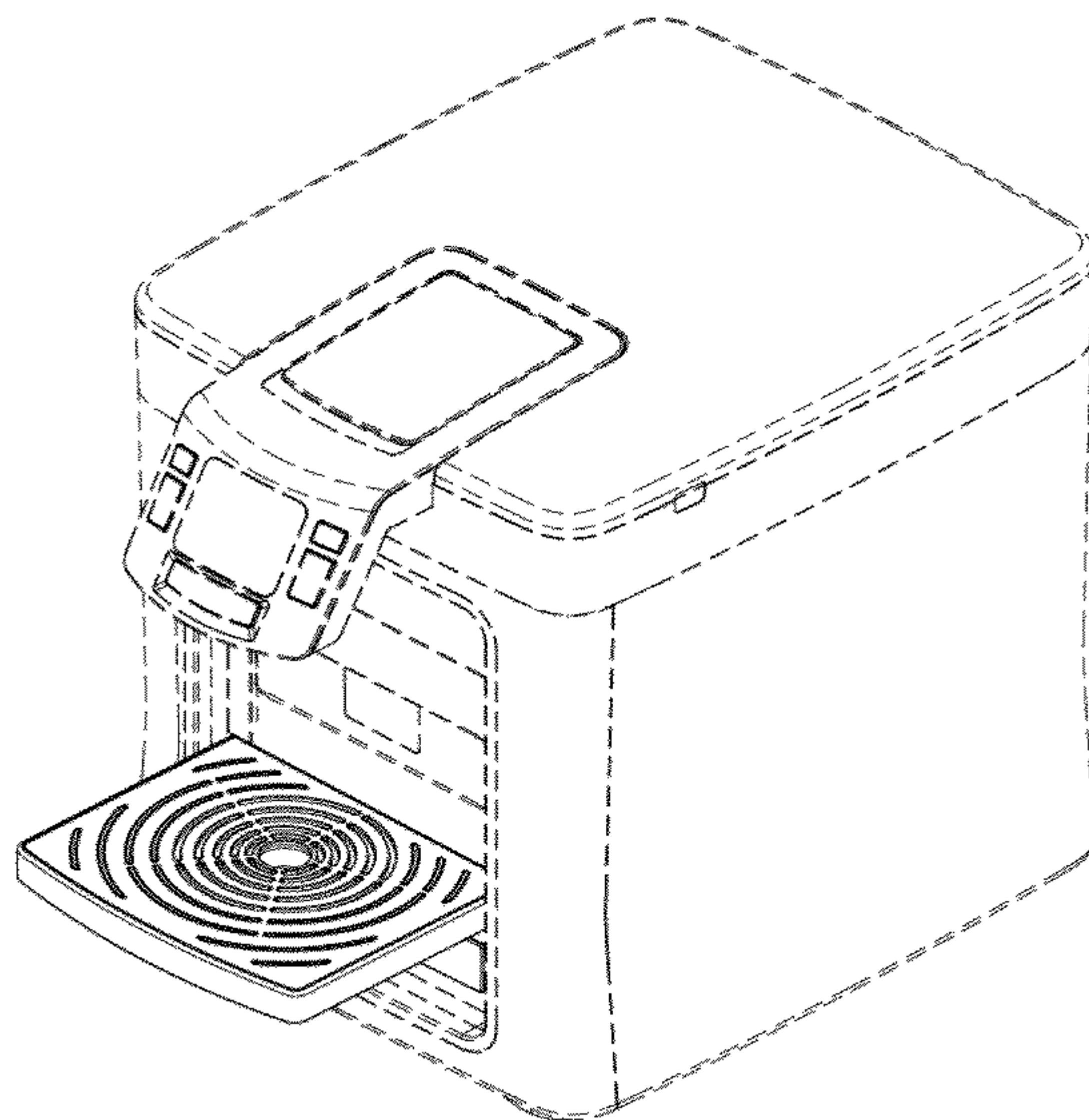
See application file for complete search history.

(56) **References Cited**

**U.S. PATENT DOCUMENTS**

D242,554 S *	11/1976	Flanagan	.....	D99/25
D445,292 S *	7/2001	Sowden	.....	D7/309
D486,880 S *	2/2004	Gracias et al.	.....	D23/207

**1 Claim, 7 Drawing Sheets**



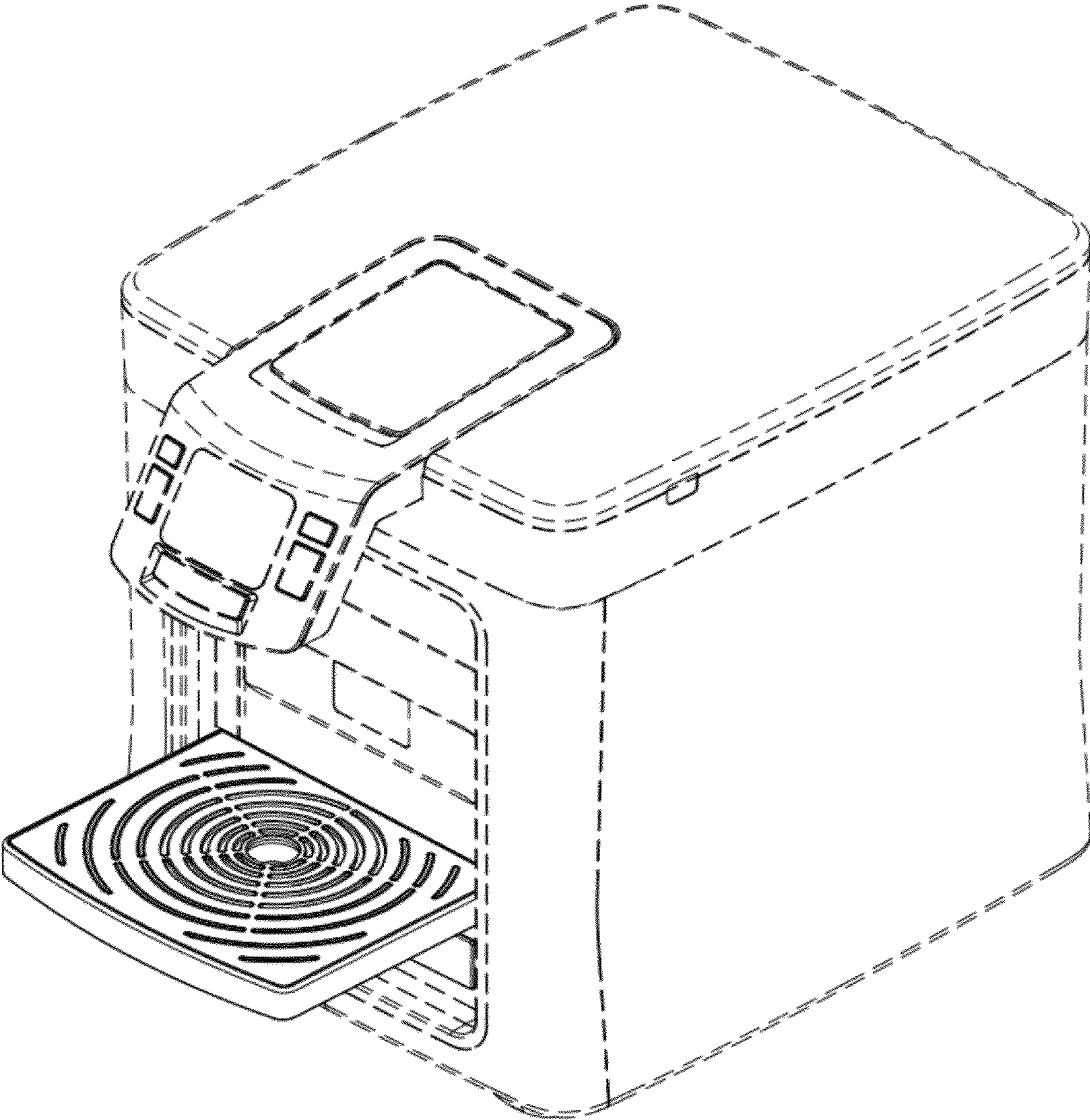


FIG. 1



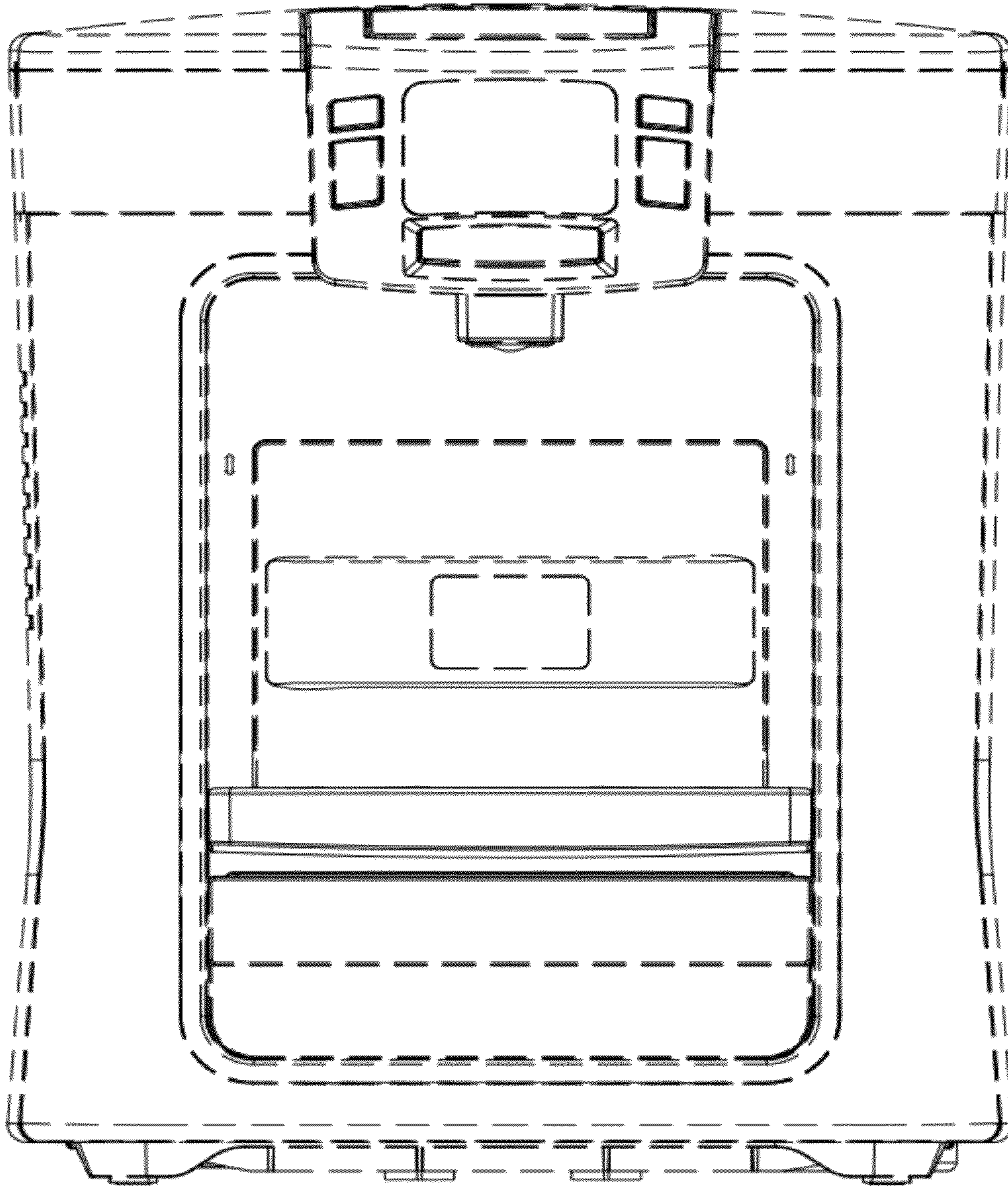


FIG. 2

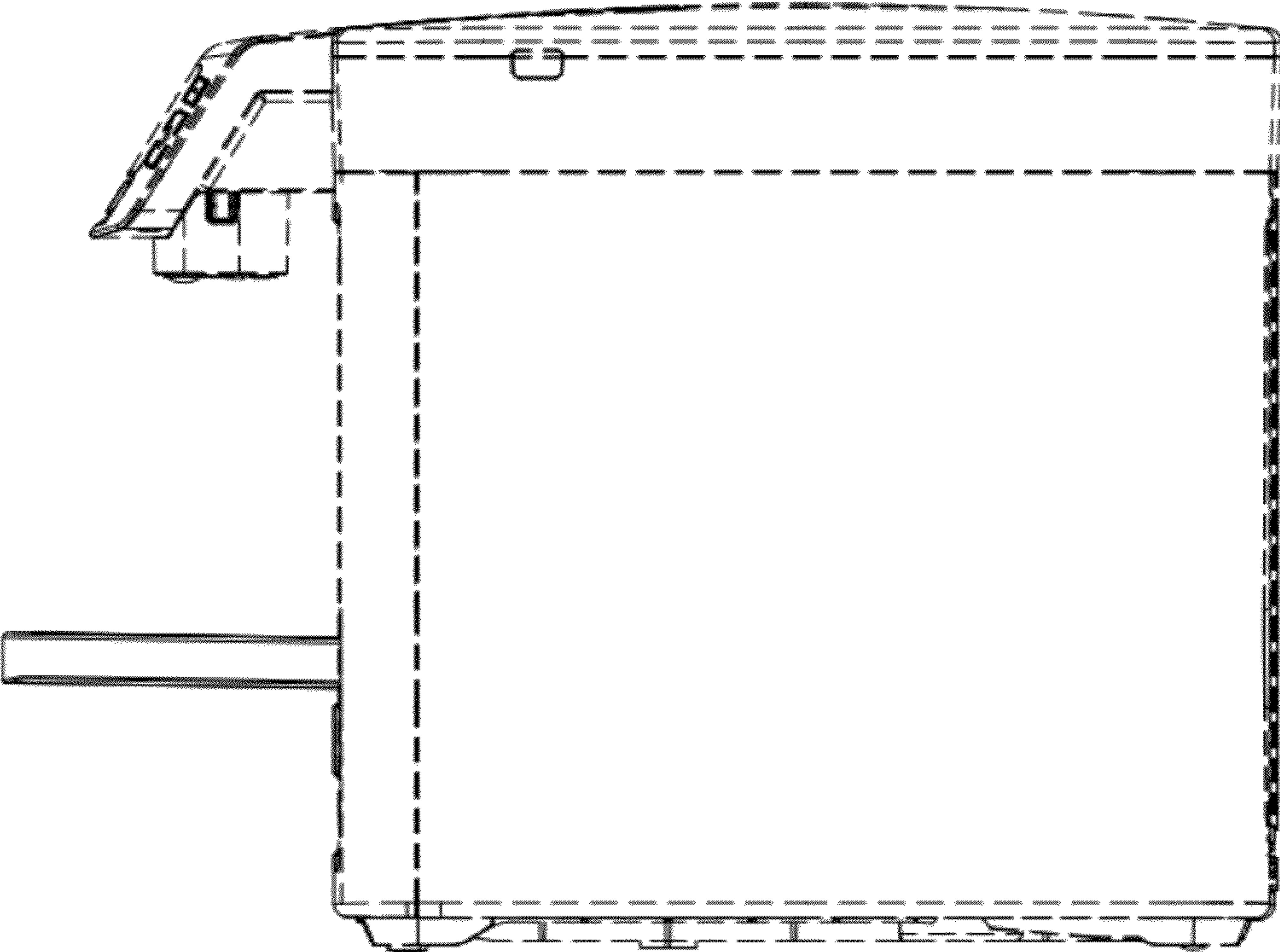


FIG. 3

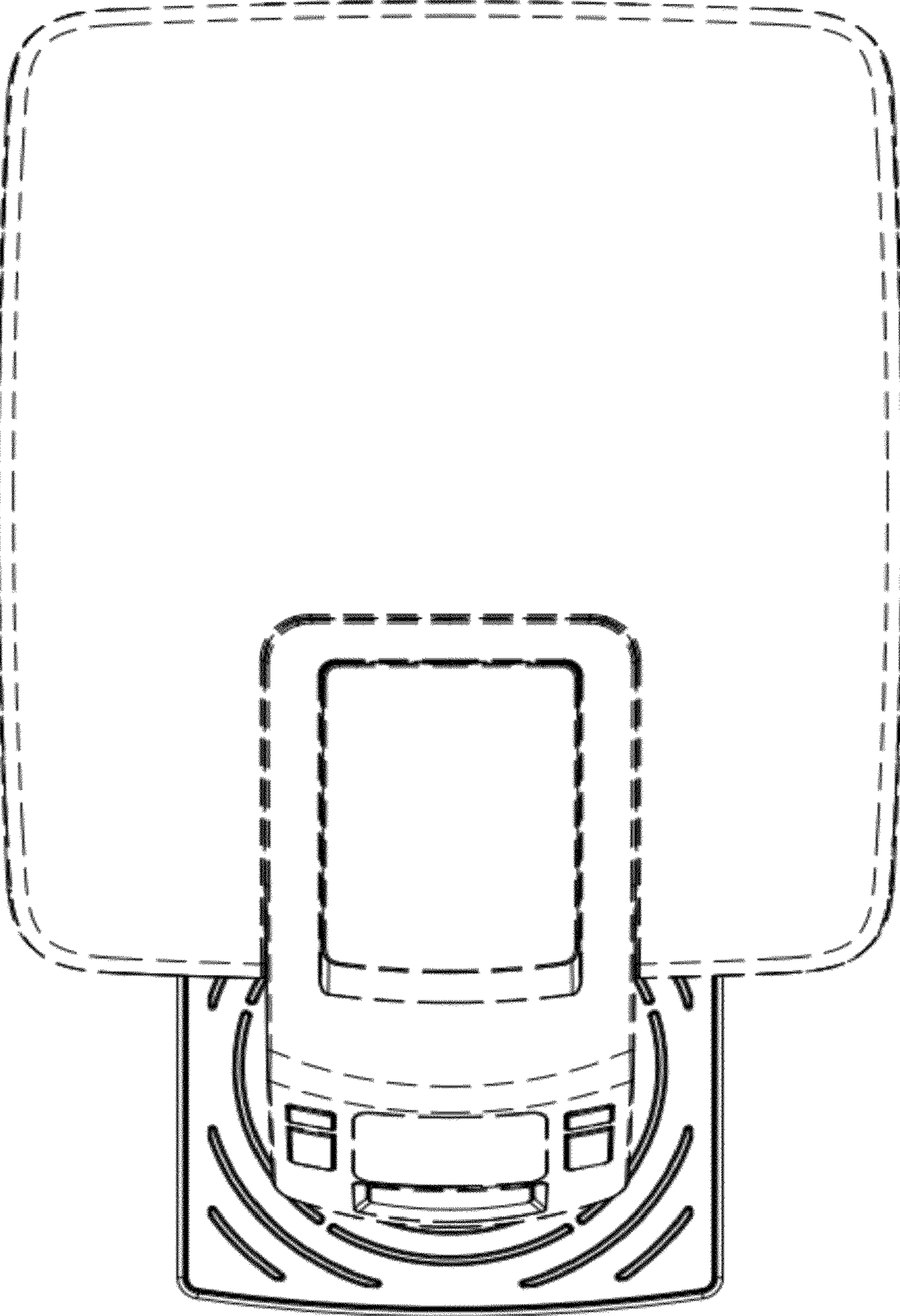


FIG. 4



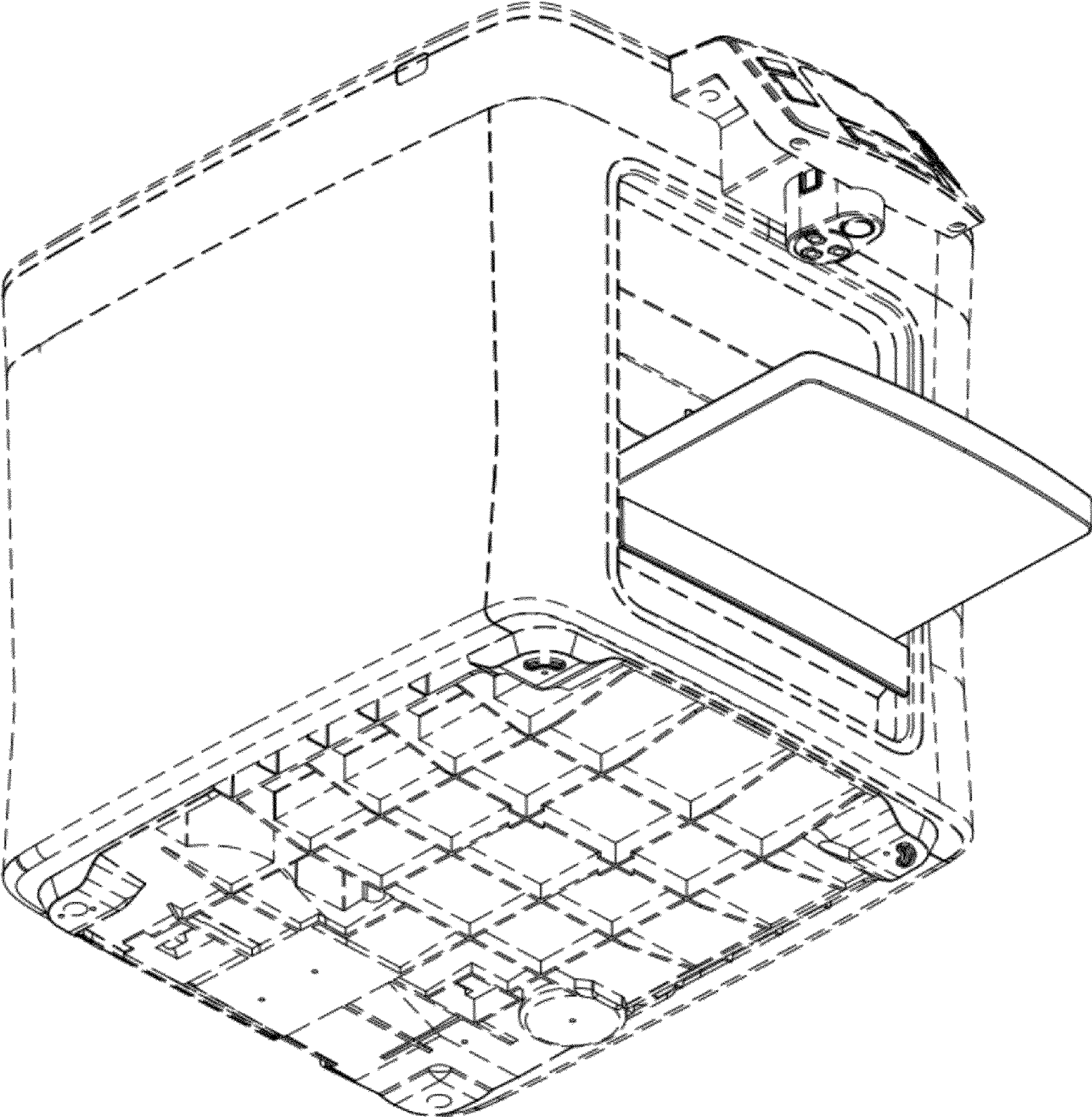


FIG. 5

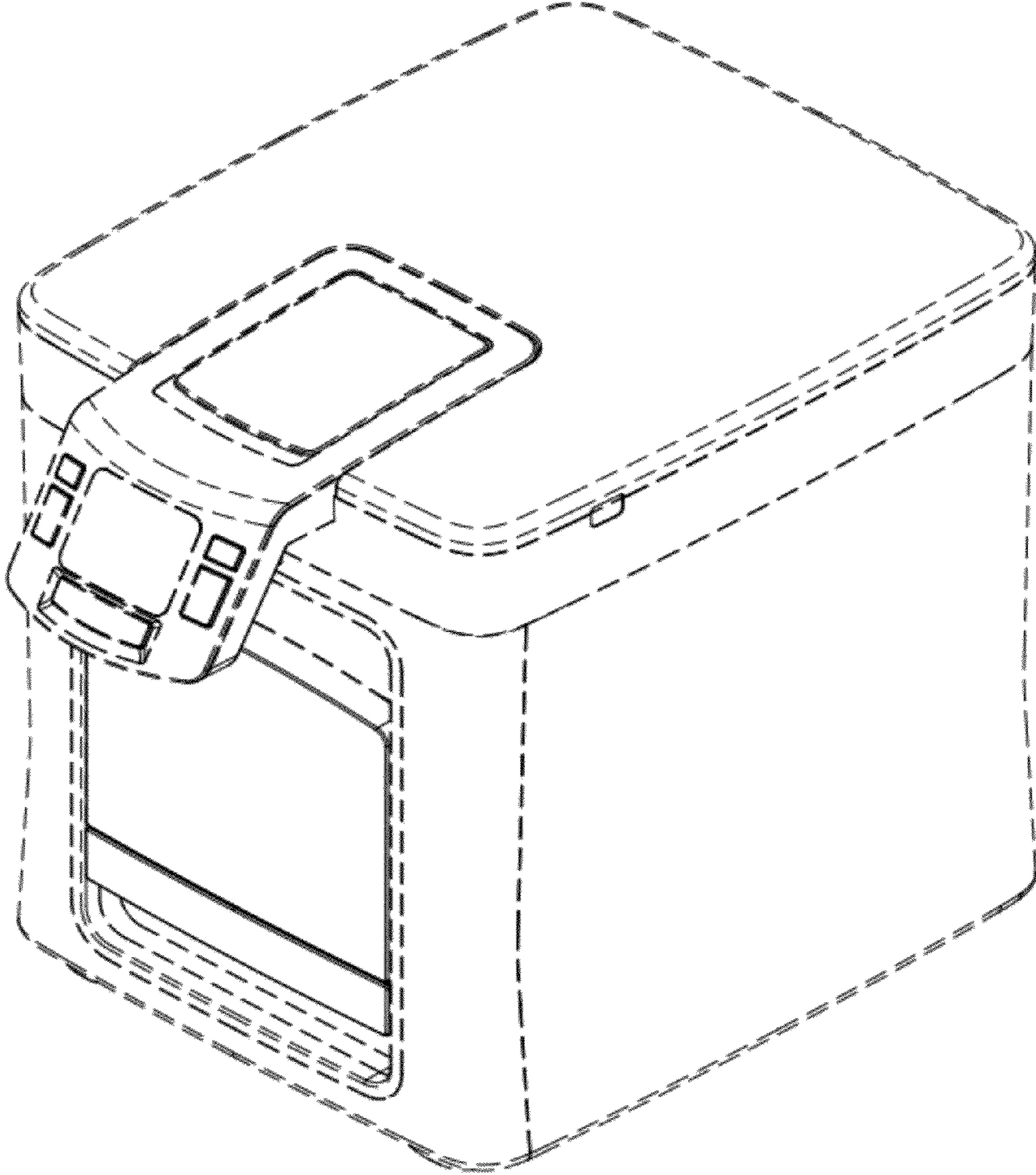


FIG. 6



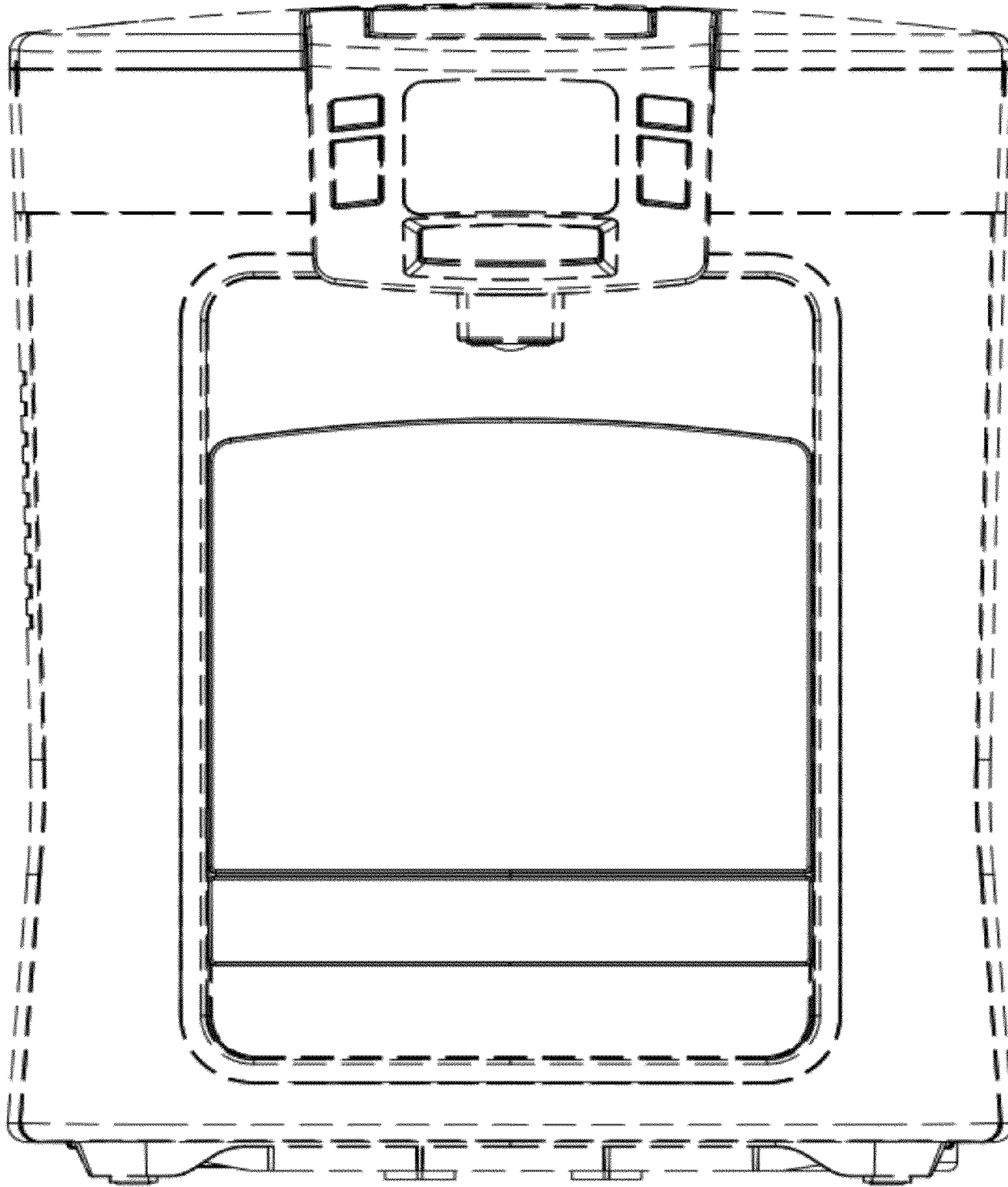


FIG. 7