

US00D674239S

(12) **United States Design Patent**
Wilder et al.

(10) **Patent No.:** **US D674,239 S**
(45) **Date of Patent:** **** Jan. 15, 2013**

(54) **CONTROL PANEL FOR A LIQUID DISPENSER**

(75) Inventors: **Haim Wilder**, Raanana (IL); **Eyal Krystal**, Kfar Saba (IL); **Omri Bar-On**, Jerusalem (IL); **Shlomi Hillel**, Petach Tikva (IL)

(73) Assignee: **Strauss Water Ltd.**, Petach Tikva (IL)

(**) Term: **14 Years**

(21) Appl. No.: **29/422,980**

(22) Filed: **May 25, 2012**

Related U.S. Application Data

(62) Division of application No. 29/389,614, filed on Apr. 14, 2011.

(30) **Foreign Application Priority Data**

Oct. 14, 2010	(IL)	50163
Oct. 14, 2010	(IL)	50164
Oct. 14, 2010	(IL)	50165
Oct. 14, 2010	(IL)	50166
Dec. 30, 2010	(IL)	50468

(51) **LOC (9) Cl.** **07-99**

(52) **U.S. Cl.** **D7/399; D7/397; D7/406**

(58) **Field of Classification Search** D7/306-311,
D7/300, 397, 399, 406; D15/80; 222/146.6;
D23/209, 207; 99/295, 305; D6/545, 542,
D6/467

See application file for complete search history.

(56) **References Cited**

U.S. PATENT DOCUMENTS

D445,292	S	*	7/2001	Sowden	D7/309
D486,880	S	*	2/2004	Gracias et al.	D23/207
D604,554	S	*	11/2009	Lippert et al.	D7/306
D608,132	S	*	1/2010	Bertolina	D7/309
D610,389	S	*	2/2010	Borin et al.	D7/309
D611,289	S	*	3/2010	de Visser	D7/309
7,703,382	B2	*	4/2010	Oranski et al.	99/295
D622,534	S	*	8/2010	Zimmermann	D7/307
D623,461	S	*	9/2010	Ashbridge	D7/306
D623,462	S	*	9/2010	Ashbridge	D7/306
7,987,769	B2	*	8/2011	Oranski et al.	99/295
D645,289	S	*	9/2011	Lenzi	D7/309
D646,109	S	*	10/2011	Zoppellari	D7/309
D646,518	S	*	10/2011	De' Longhi	D7/309
D649,826	S	*	12/2011	Garman	D7/306
D660,071	S	*	5/2012	Berlencourt	D7/309
D665,218	S	*	8/2012	Iseli	D7/309

* cited by examiner

Primary Examiner — Marianne Pandozzi

(74) *Attorney, Agent, or Firm* — Nath, Goldberg & Meyer; Jerald L. Meyer

(57) **CLAIM**

The ornamental design for a control panel for a liquid dispenser, as shown and described.

DESCRIPTION

FIG. 1 is a perspective view of a control panel for a liquid dispenser showing our new design;

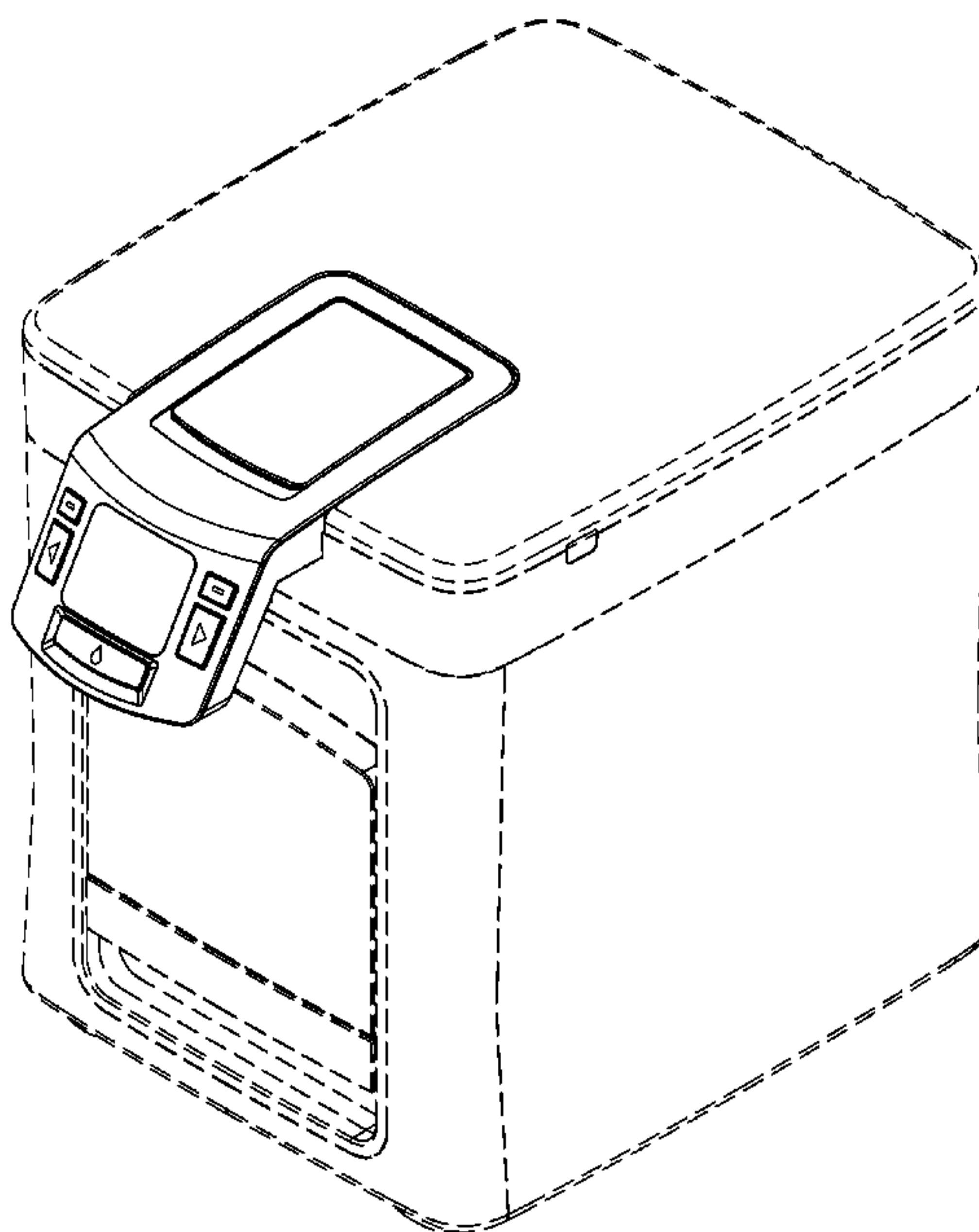
FIG. 2 is a front elevational view thereof;

FIG. 3 is a left side view thereof, the right side being a mirror image; and,

FIG. 4 is a top plan view thereof.

The broken lines are included for the purpose of illustrating environment and form no part of the claimed design.

1 Claim, 4 Drawing Sheets



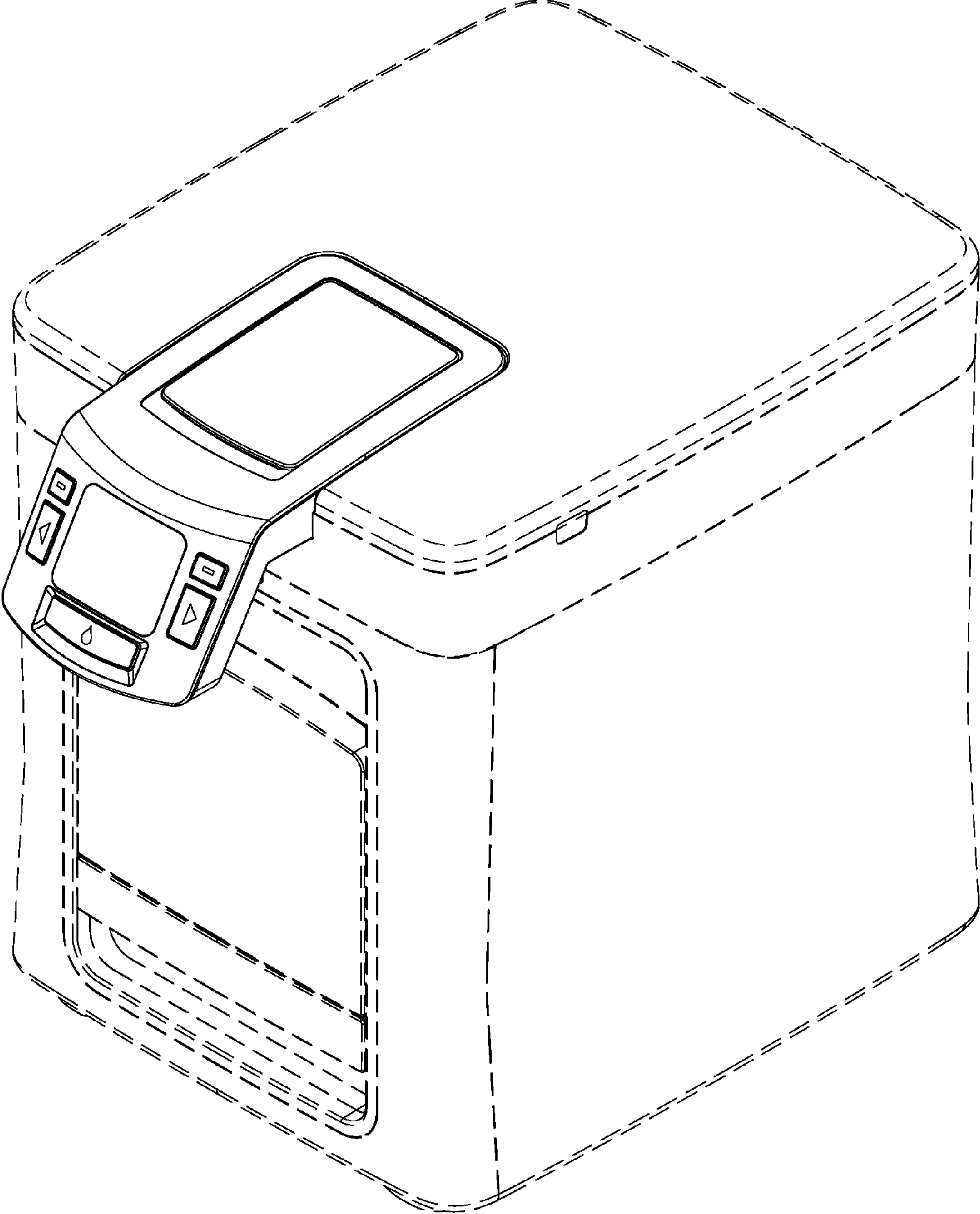


FIG. 1

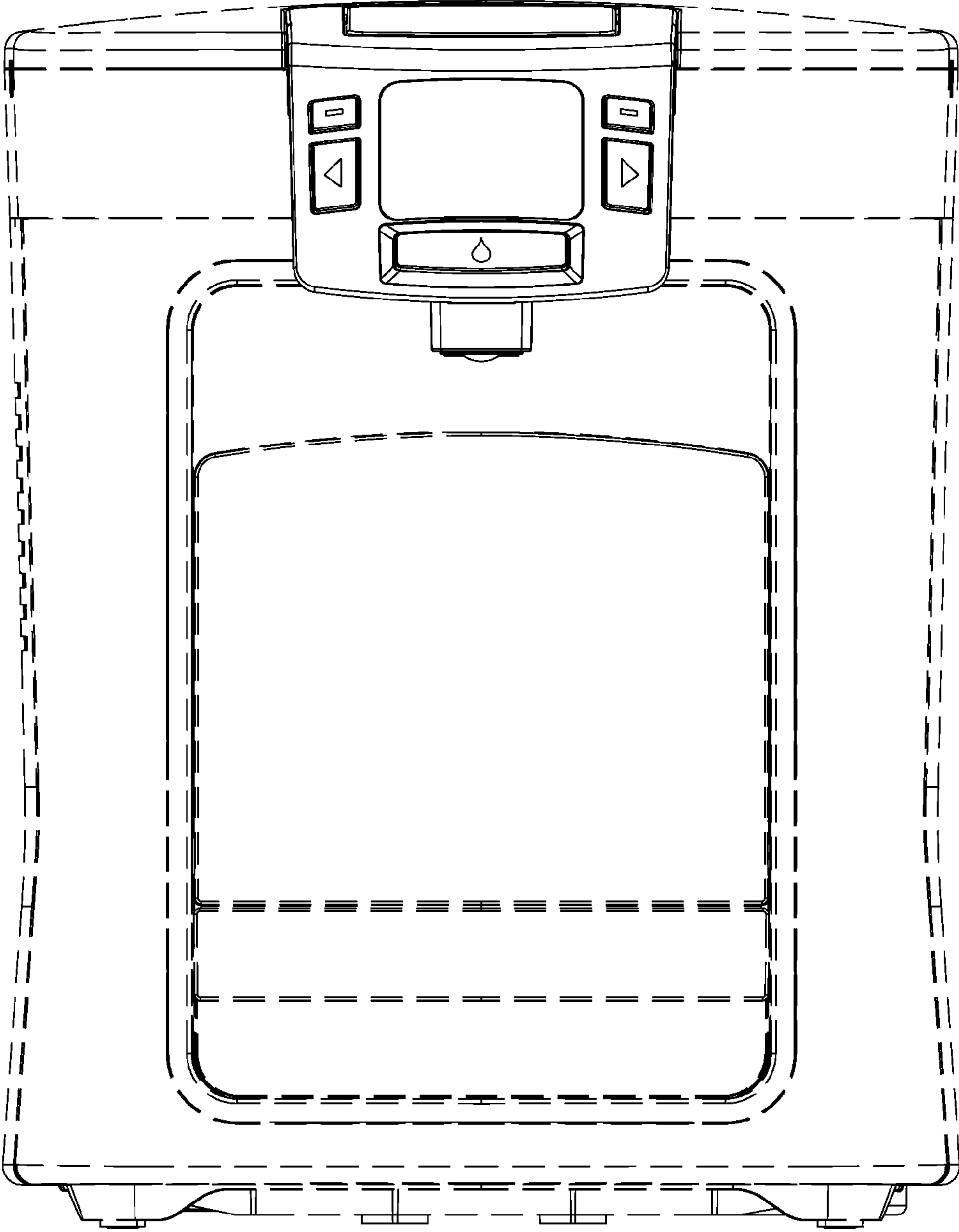


FIG. 2

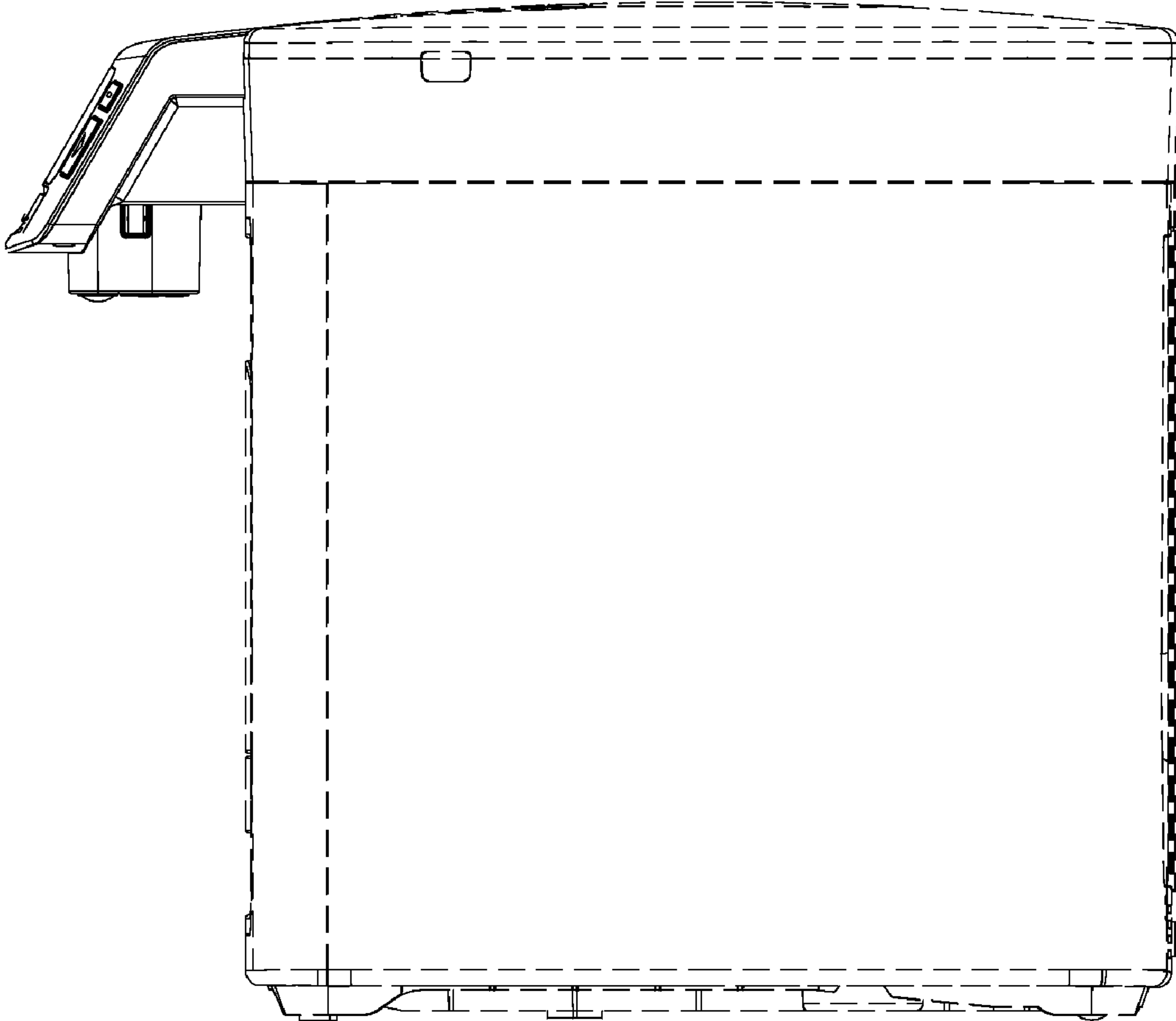


FIG. 3

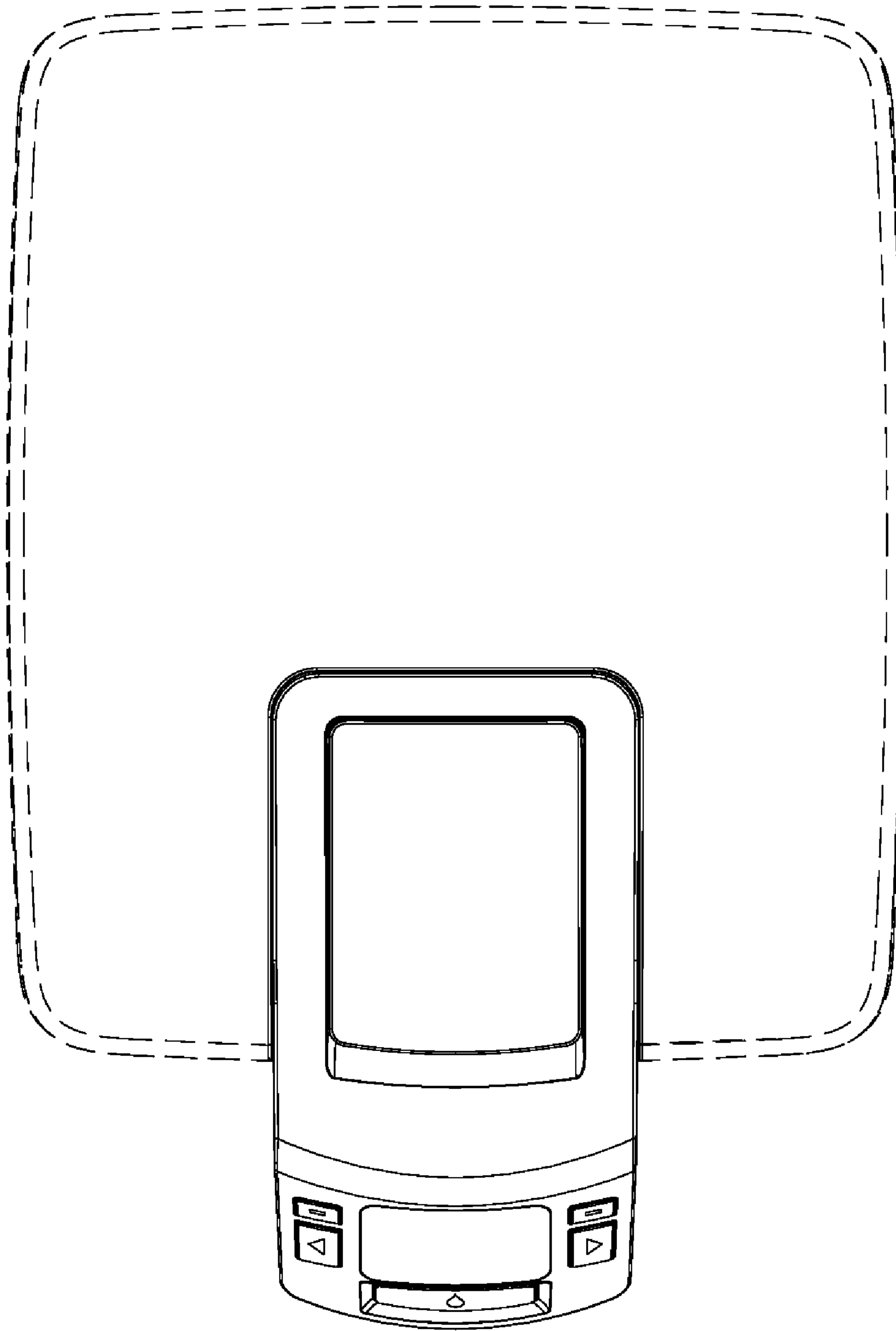


FIG. 4