



US00D674234S

(12) **United States Design Patent**  
**Todd**

(10) **Patent No.:** **US D674,234 S**  
(45) **Date of Patent:** **\*\* Jan. 15, 2013**

- (54) **ROTISSERIE SMOKER**
- (76) Inventor: **Ronny Dee Todd**, Hobbs, NM (US)
- (\*\*) Term: **14 Years**
- (21) Appl. No.: **29/397,103**
- (22) Filed: **Jul. 12, 2011**
- (51) **LOC (9) Cl.** ..... **07-02**
- (52) **U.S. Cl.** ..... **D7/334**
- (58) **Field of Classification Search** ..... D7/332,  
D7/334-337, 402-407, 409; 126/25 R, 25 A,  
126/25 AA, 29-30, 9 R, 37-38, 41 R, 40-50,  
126/332, 39 M, 214 R, 307 R, 334, 276,  
126/268; 99/481, 482; D6/511; 219/461.1;  
312/100, 236

See application file for complete search history.

(56) **References Cited**

**U.S. PATENT DOCUMENTS**

664,080	A *	12/1900	Geisenhoener	.....	200/13
3,489,131	A *	1/1970	Richins	.....	126/9 R
D223,065	S *	3/1972	Turner	.....	D7/334
D254,468	S *	3/1980	Cox	.....	D7/334
D255,639	S *	7/1980	Cox	.....	D7/334
D295,136	S *	4/1988	Cox, Jr.	.....	D7/334

D329,960	S *	10/1992	Reynolds	.....	D7/334
6,039,039	A *	3/2000	Pina, Jr.	.....	126/25 R
D430,772	S *	9/2000	Ganard	.....	D7/334
6,223,737	B1 *	5/2001	Buckner	.....	126/25 R
6,564,793	B2	5/2003	DeClue		
D478,463	S *	8/2003	Mouly	.....	D7/334
D578,334	S *	10/2008	Abrahams	.....	D7/334
D581,357	S	11/2008	Hsu		

\* cited by examiner

*Primary Examiner* — Ruth McInroy

(74) *Attorney, Agent, or Firm* — Susanne M Moore

(57) **CLAIM**

I claim the ornamental design for a rotisserie smoker, as shown and described.

**DESCRIPTION**

FIG. 1 is a top perspective view of a rotisserie smoker showing my new design;

FIG. 2 is a front perspective view thereof;

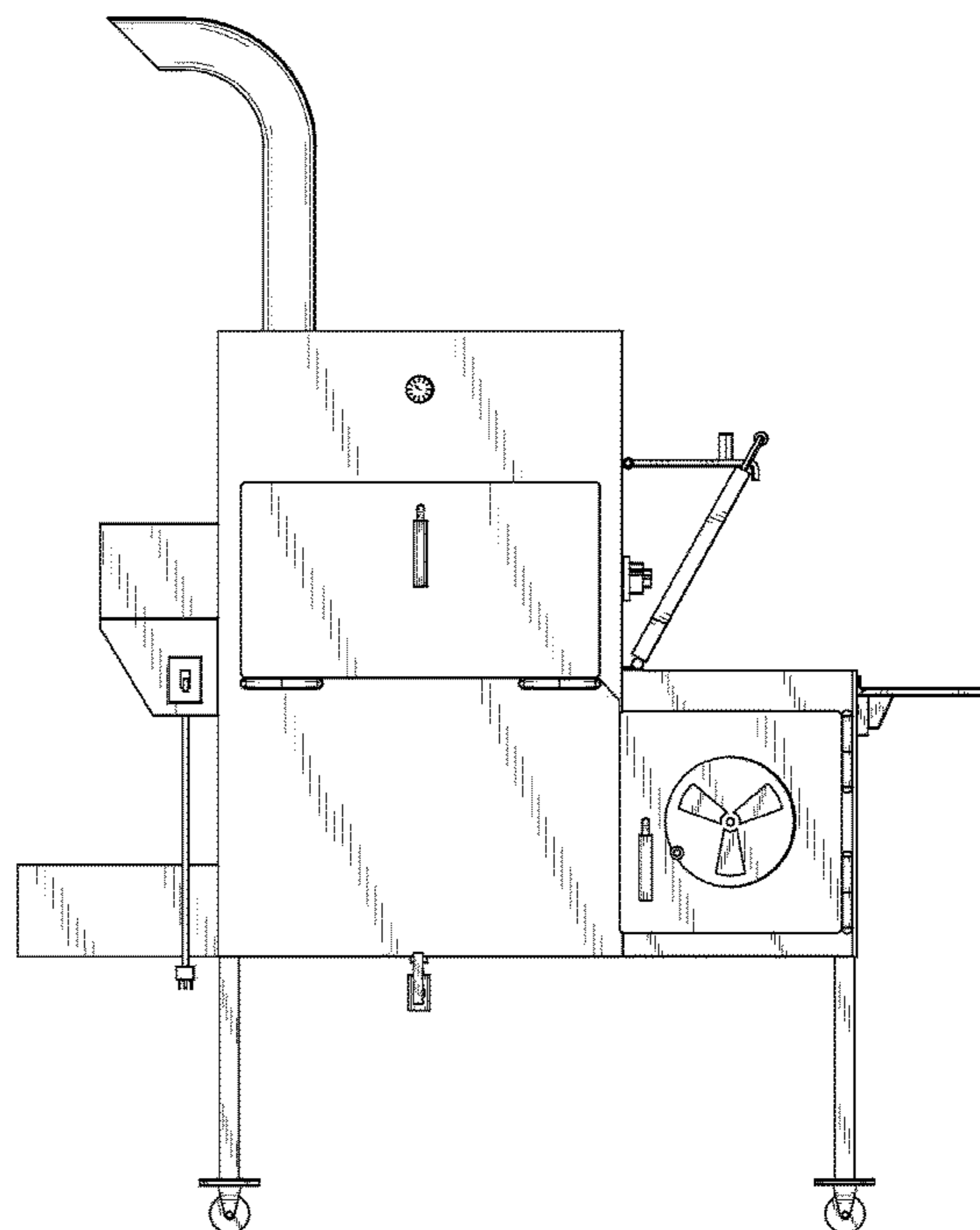
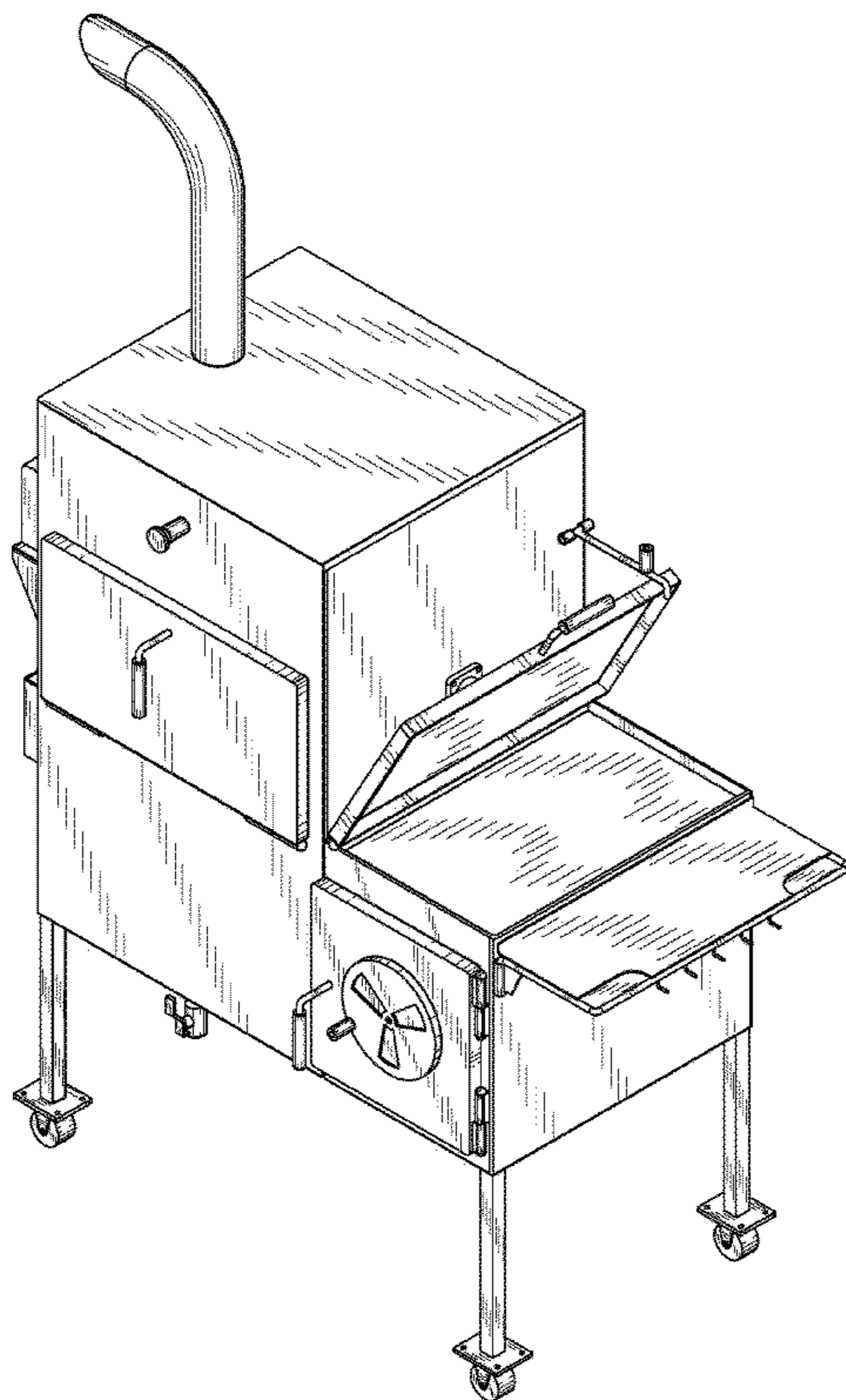
FIG. 3 is a rear elevational view thereof;

FIG. 4 is a right side elevational view thereof;

FIG. 5 is a left side elevational view thereof; and,

FIG. 6 is a top plan view thereof.

**1 Claim, 6 Drawing Sheets**



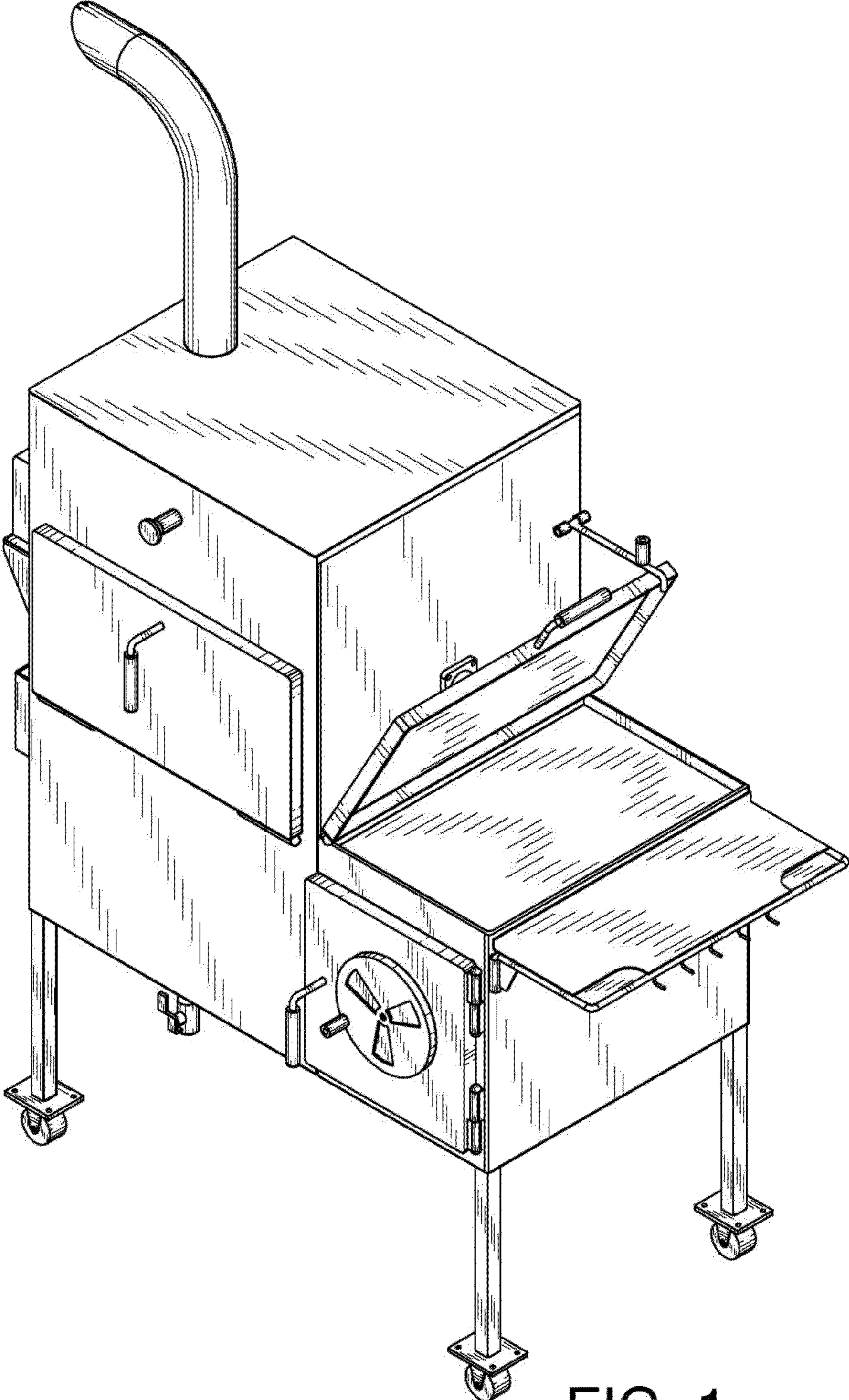


FIG. 1

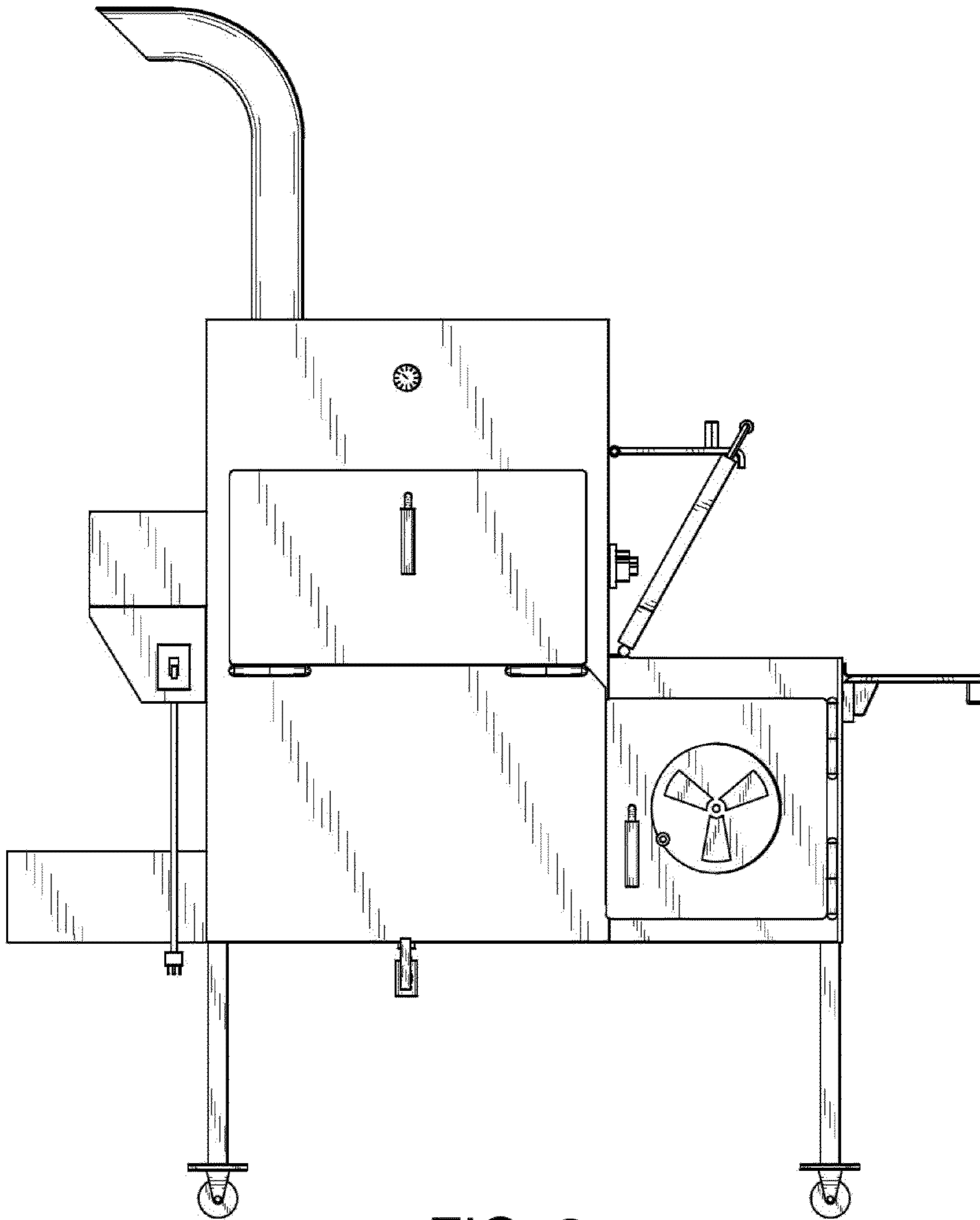


FIG. 2

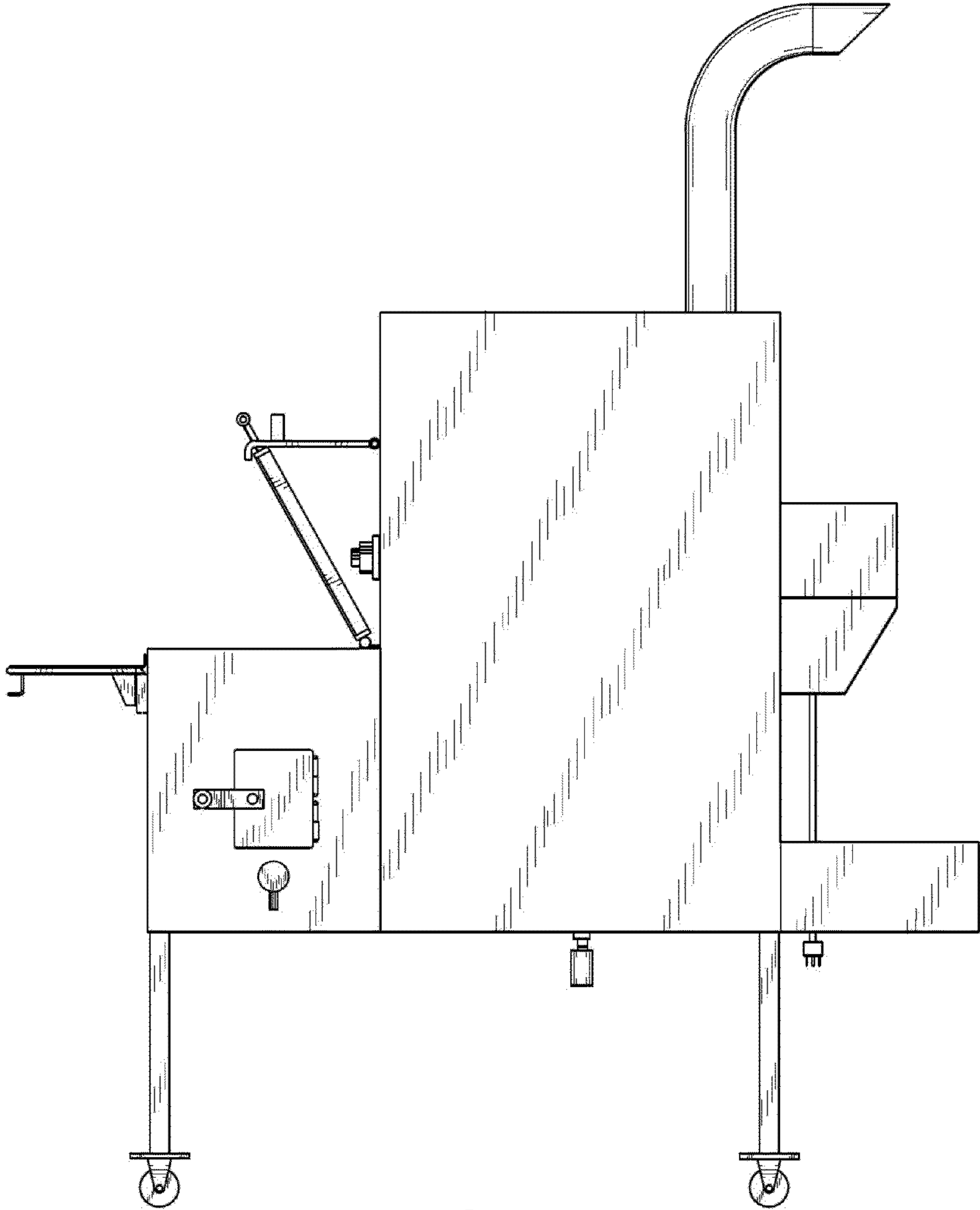


FIG. 3

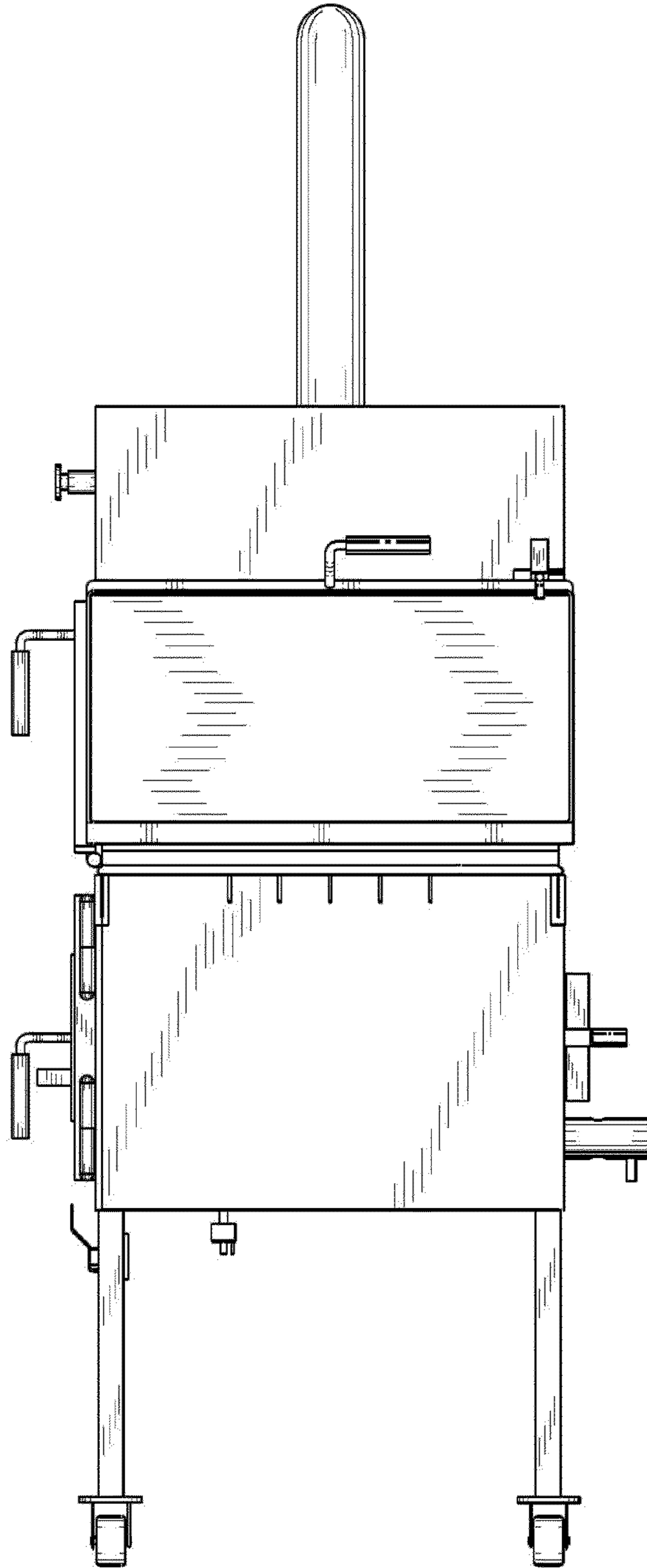


FIG. 4

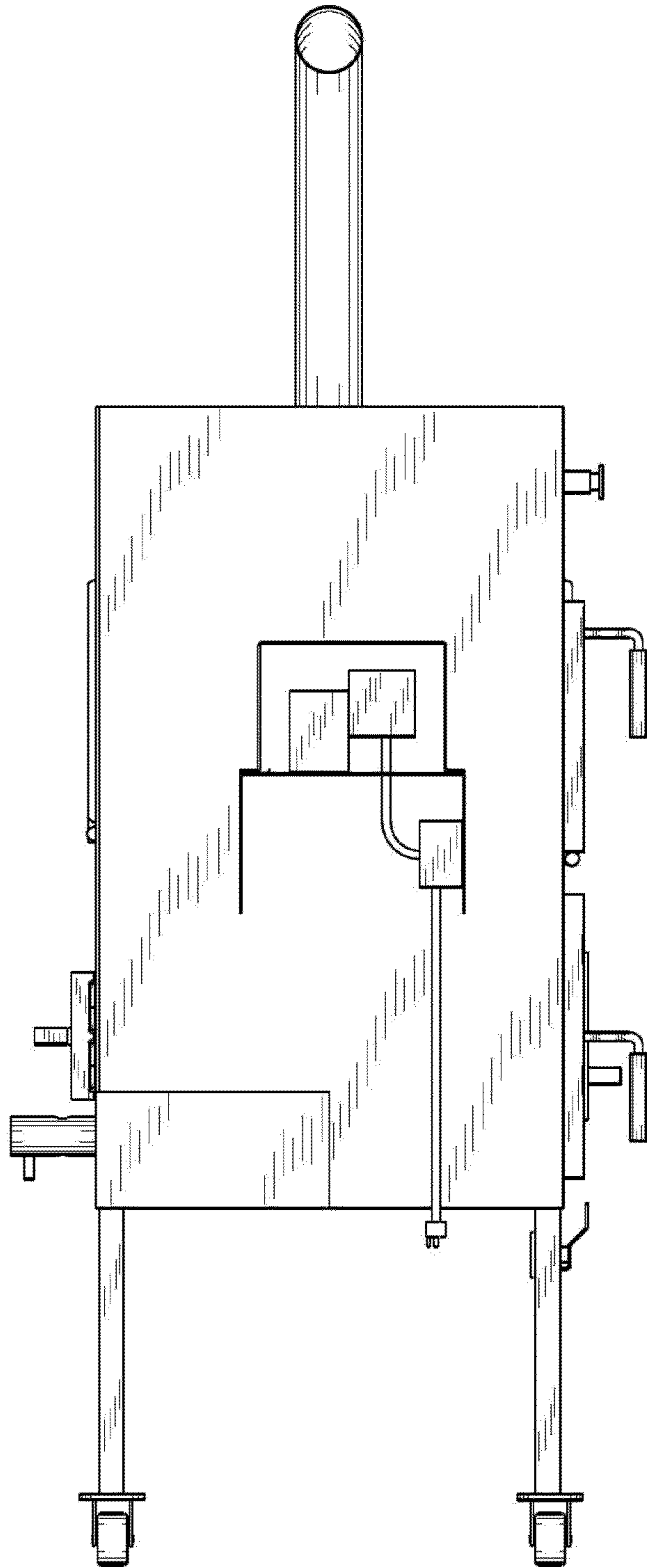


FIG. 5

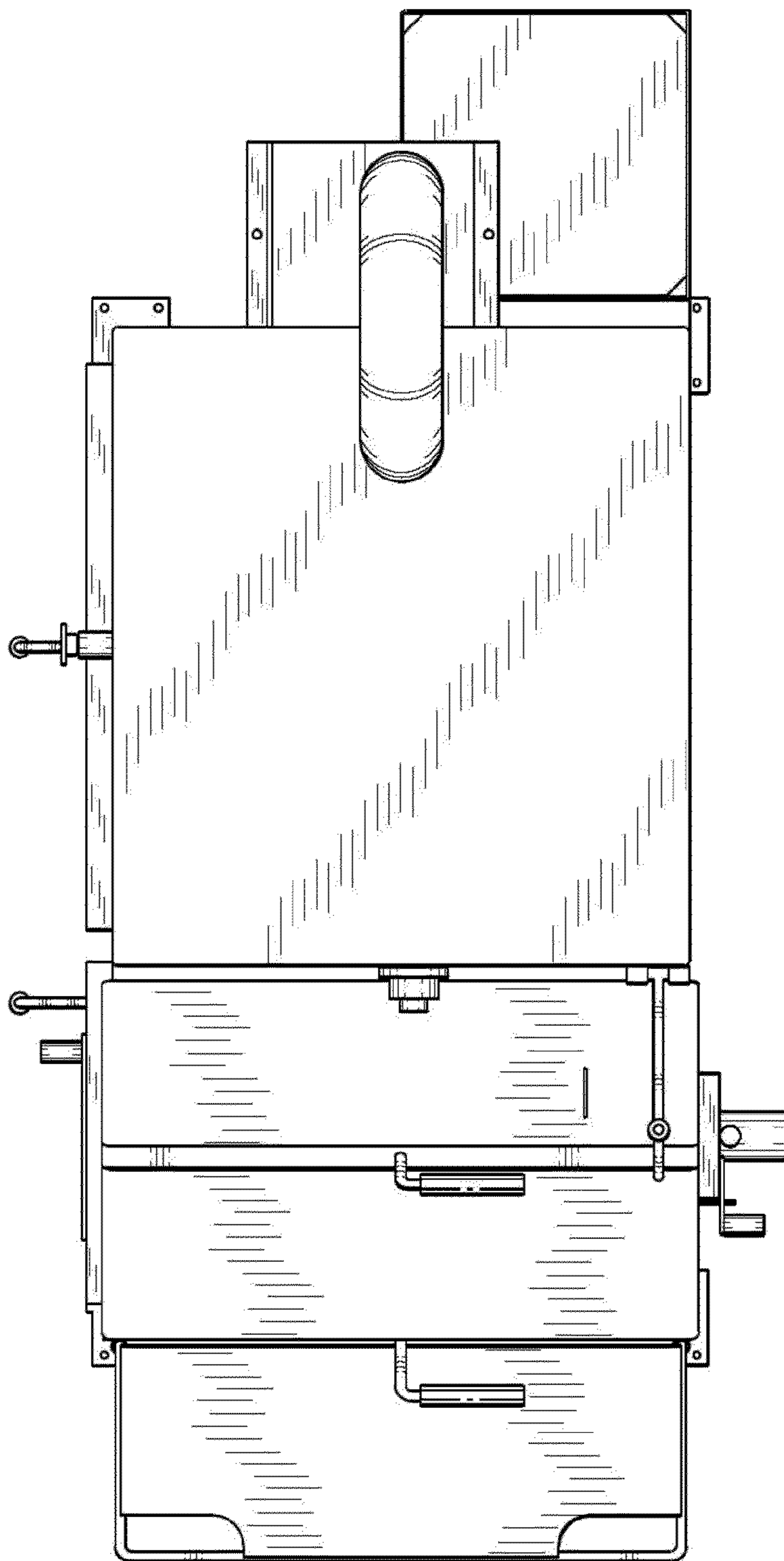


FIG. 6