

US00D674233S

(12) **United States Design Patent**  
**Lavy et al.**

(10) **Patent No.:** **US D674,233 S**  
(45) **Date of Patent:** **\*\* Jan. 15, 2013**

(54) **COFFEE MAKER**

(76) Inventors: **Danny Lavy**, Westmount (CA); **Shae Hong**, New York, NY (US)

(\*\*) Term: **14 Years**

(21) Appl. No.: **29/406,140**

(22) Filed: **Nov. 10, 2011**

(51) **LOC (9) Cl.** ..... **07-01**

(52) **U.S. Cl.** ..... **D7/309; D7/311**

(58) **Field of Classification Search** ..... D7/306–308,  
D7/309–311, 300; D23/209; 99/306, 295  
See application file for complete search history.

D588,855 S	3/2009	Jacquet et al.	
D595,992 S *	7/2009	Clark et al.	D7/309
D599,606 S	9/2009	Wakita et al.	
D600,967 S	9/2009	Cahen	
D602,303 S	10/2009	Cahen	
D610,388 S	2/2010	Hazan et al.	
D612,657 S *	3/2010	Luippold et al.	D7/306
D618,950 S	7/2010	Jaffe et al.	
D619,409 S	7/2010	Pino et al.	
D619,410 S	7/2010	Pino et al.	
D623,000 S	9/2010	Muraouyou et al.	
D625,542 S	10/2010	Picozza et al.	
D637,859 S *	5/2011	Orkney et al.	D7/306
8,109,200 B2 *	2/2012	Hansen	99/295
8,210,095 B2 *	7/2012	Brezovnik et al.	99/295
8,250,972 B2 *	8/2012	Santoiemmo	99/323.2

\* cited by examiner

(56) **References Cited**

**U.S. PATENT DOCUMENTS**

D419,821 S *	2/2000	Powell et al.	D7/309
D449,197 S *	10/2001	Byler	D7/309
D457,774 S	5/2002	DeMore et al.	
D459,628 S	7/2002	Cahen	
D461,358 S	8/2002	Cahen	
D474,366 S	5/2003	Hodges et al.	
D477,963 S	8/2003	Cahen	
D487,376 S	3/2004	Uneo et al.	
D488,663 S	4/2004	Price et al.	
D495,187 S	8/2004	Cahen	
D495,188 S	8/2004	Cahen	
D495,189 S	8/2004	Cahen	
D501,750 S *	2/2005	DeMore	D7/309
D502,627 S	3/2005	Cahen	
D513,572 S *	1/2006	Schaffeld et al.	D7/309
D515,347 S	2/2006	Reuss, Jr. et al.	
D518,677 S *	4/2006	Van Berlo	D7/306
D522,792 S	6/2006	Koitzsch et al.	
D533,028 S	12/2006	Cahen	
D540,101 S	4/2007	Cahen	
D572,965 S	7/2008	Steiner	
7,469,628 B2 *	12/2008	Mandralis et al.	99/295
D584,095 S *	1/2009	Luippold	D7/306

*Primary Examiner* — Marianne Pandozzi

(74) *Attorney, Agent, or Firm* — Husch Blackwell LLP

(57) **CLAIM**

The ornamental designs for a coffee maker, substantially as shown and described.

**DESCRIPTION**

FIG. 1 is a perspective view of a coffee maker in accordance with the present invention;  
FIG. 2 is a top view of the coffee maker shown in FIG. 1;  
FIG. 3 is a right side view of the coffee maker shown in FIG. 1;  
FIG. 4 is a front view of the coffee maker shown in FIG. 1;  
FIG. 5 is a rear view of the coffee maker shown in FIG. 1;  
FIG. 6 is a left side view of the coffee maker shown in FIG. 1;  
and,  
FIG. 7 is a bottom view of the coffee maker shown in FIG. 1.  
The broken lines in the drawings are included for the purpose of illustration and form no part of the claimed design.

**1 Claim, 4 Drawing Sheets**

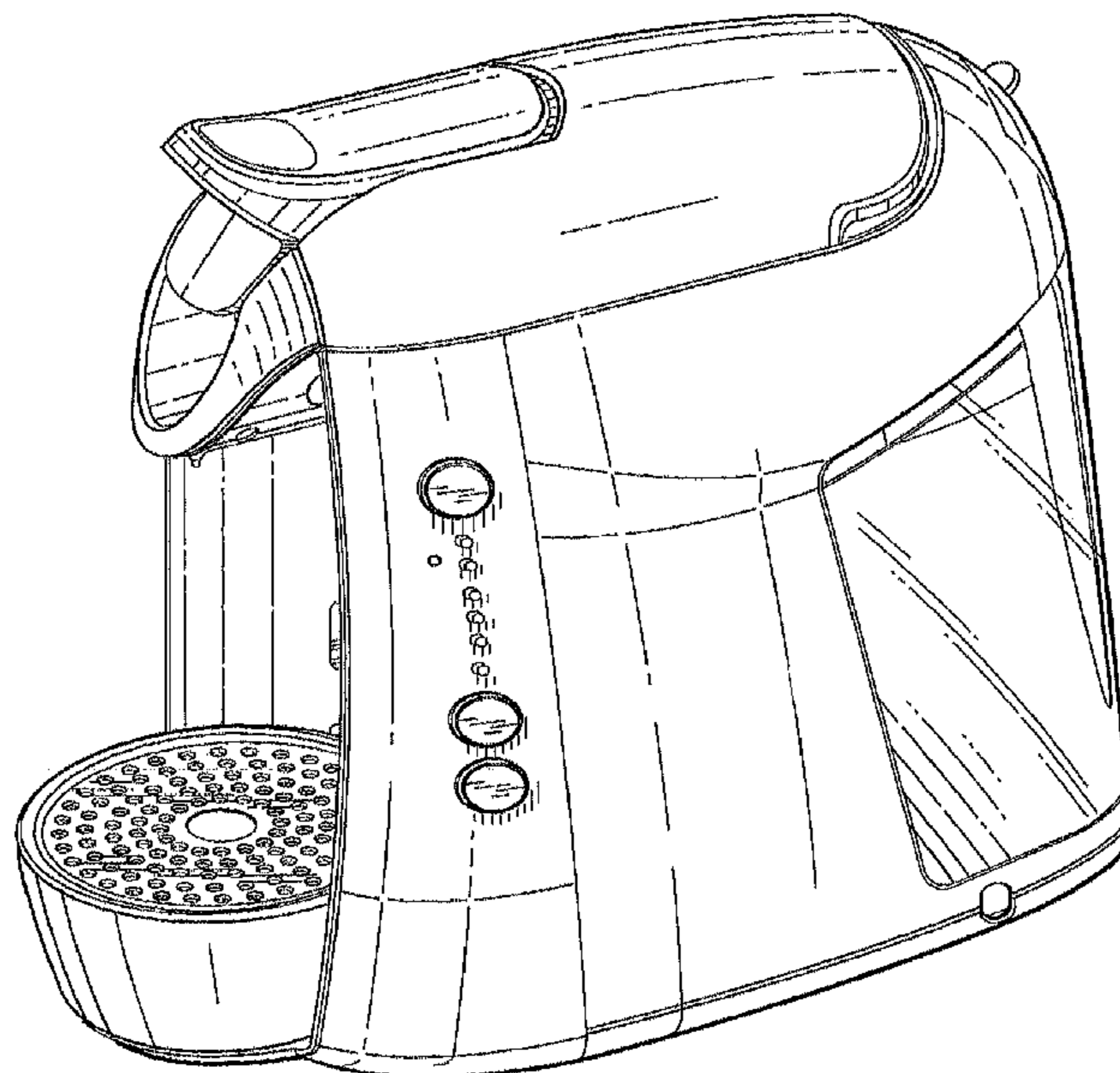


FIG. 1

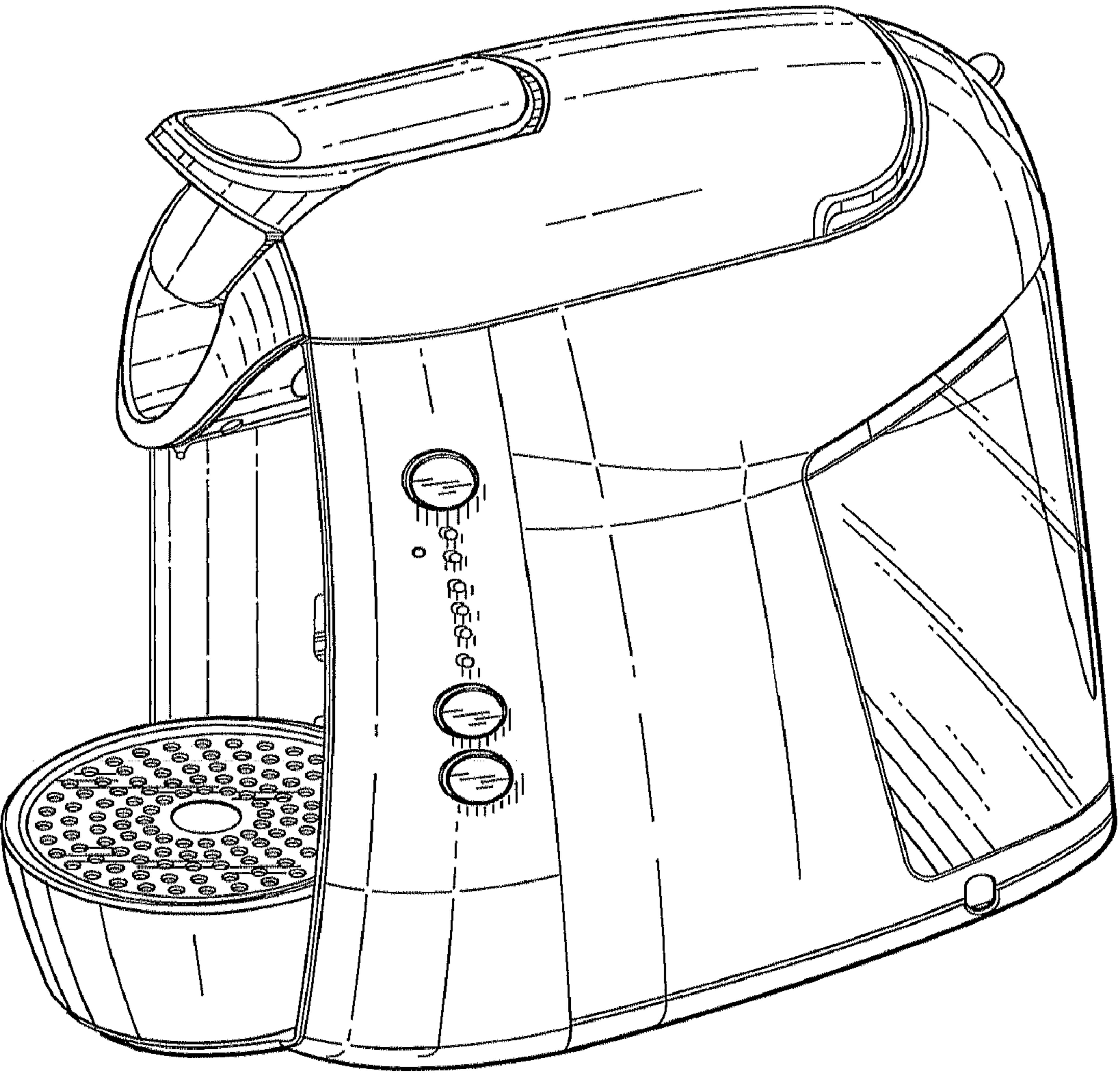




FIG. 2

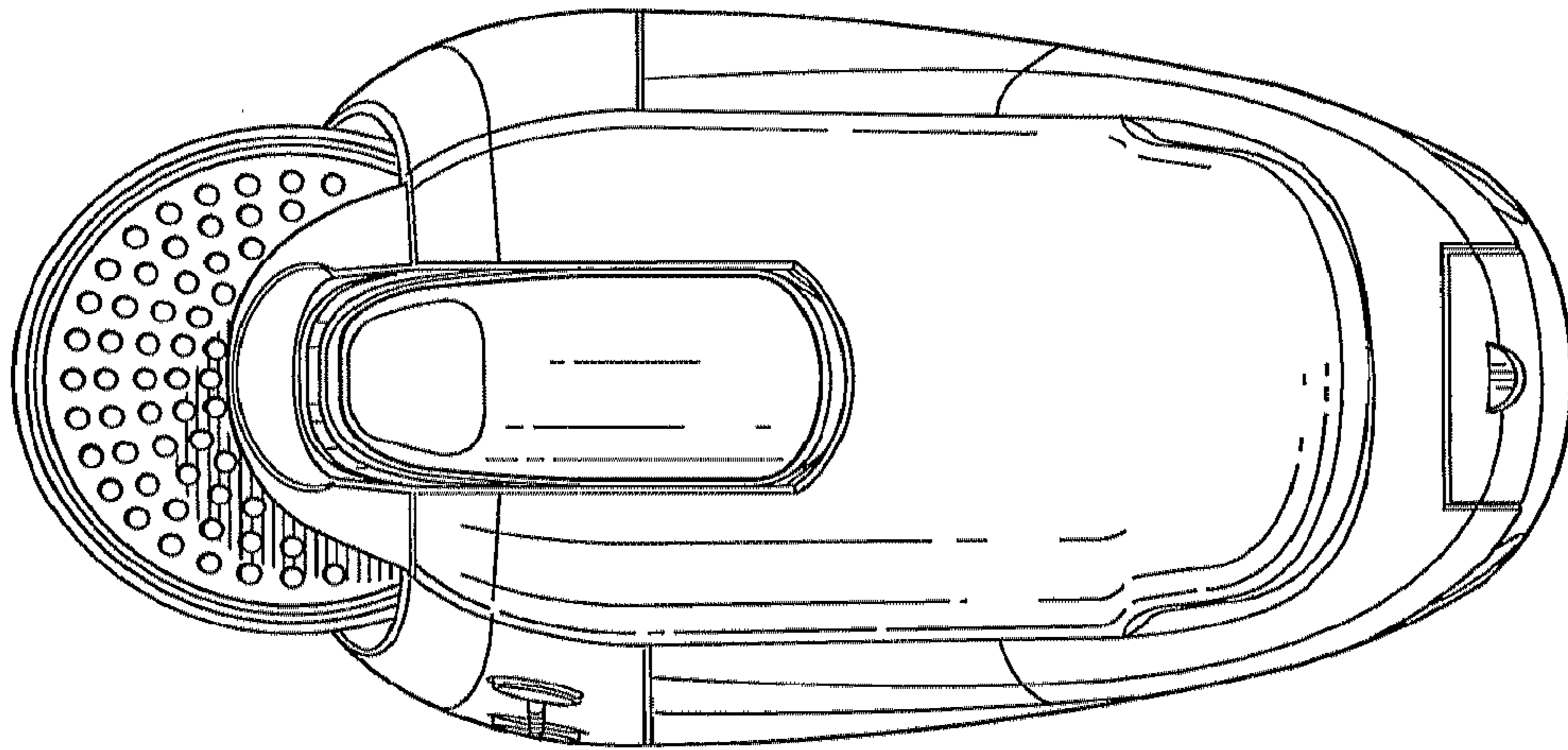
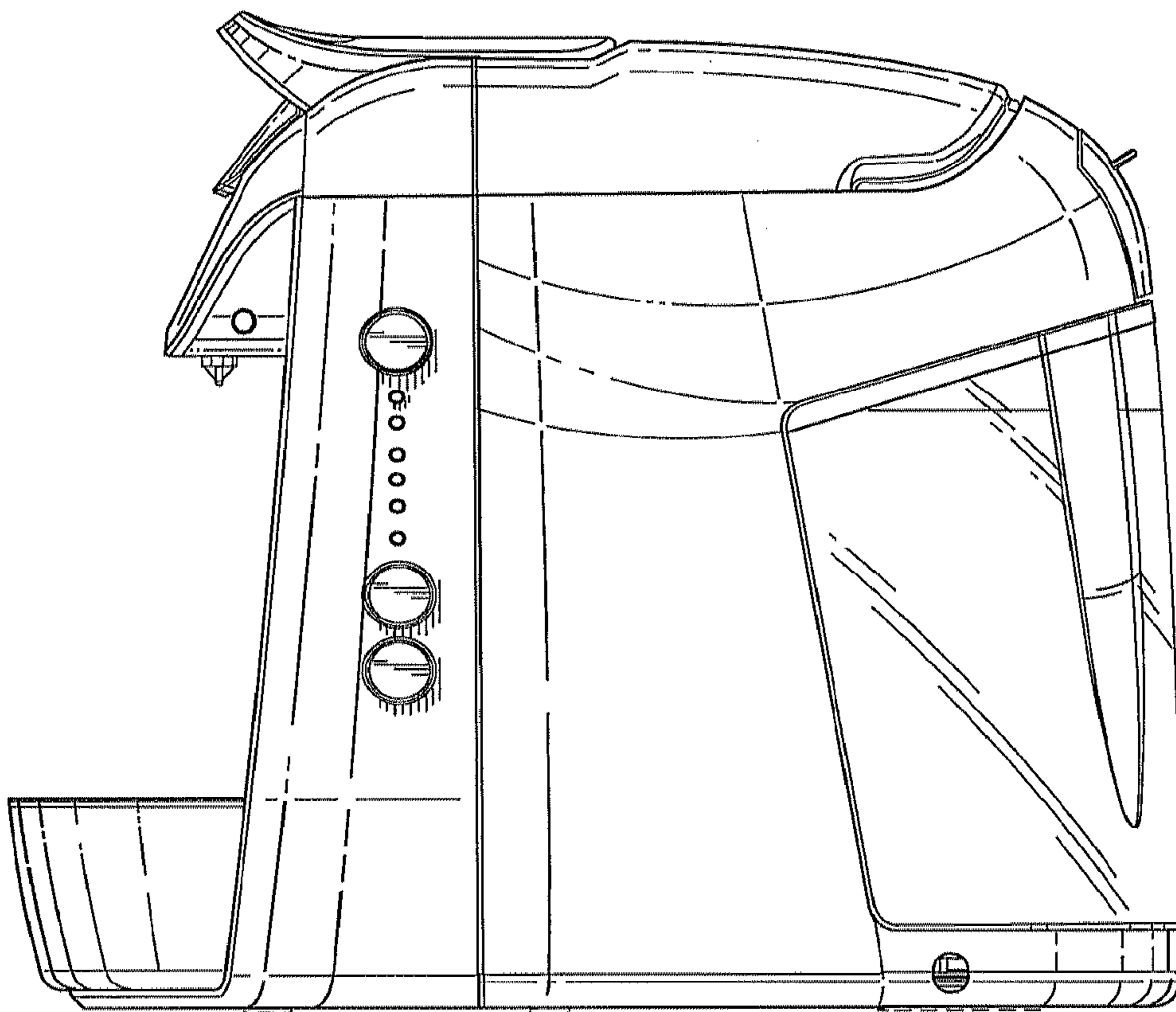
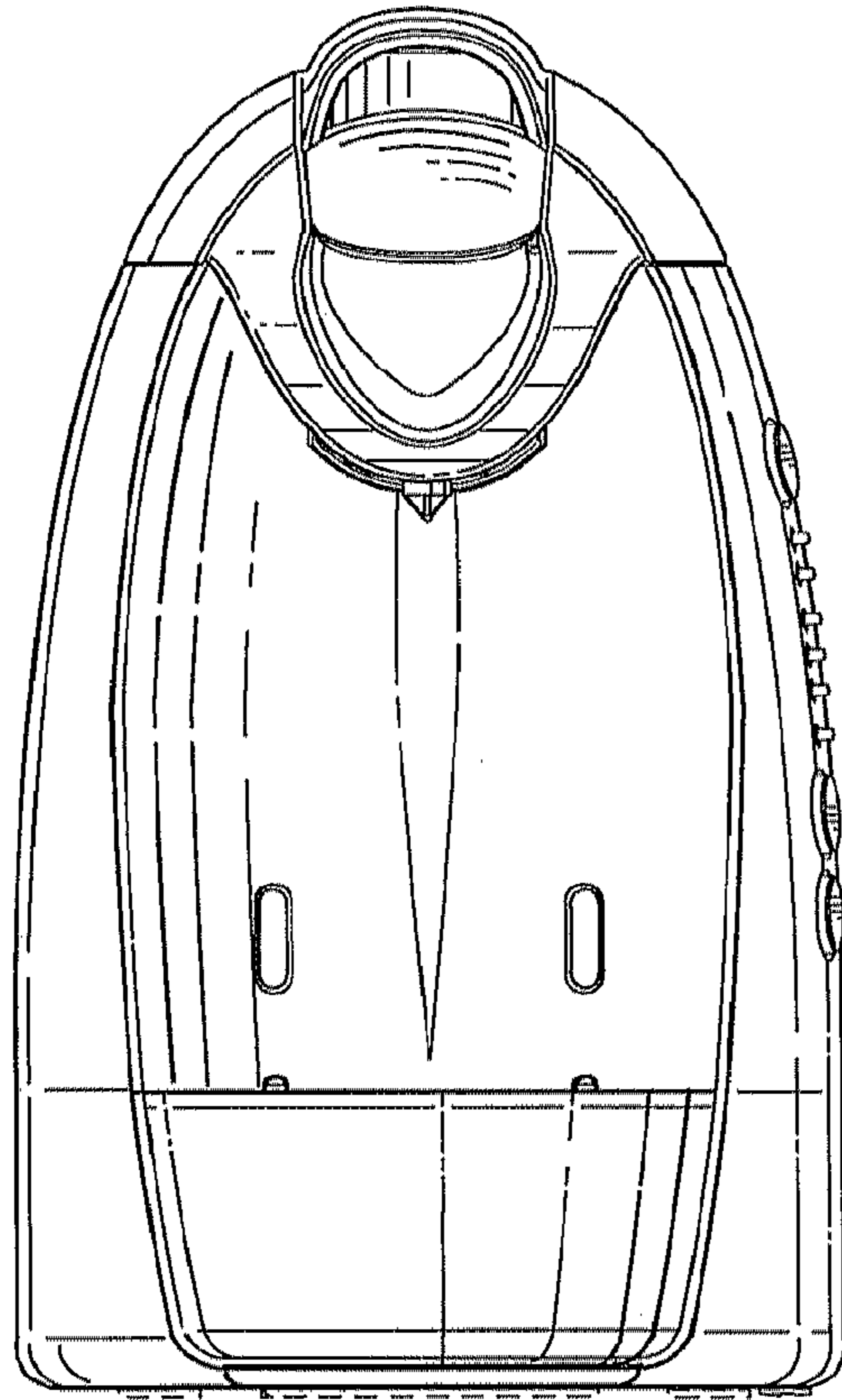


FIG. 3



**FIG. 4**



**FIG. 5**

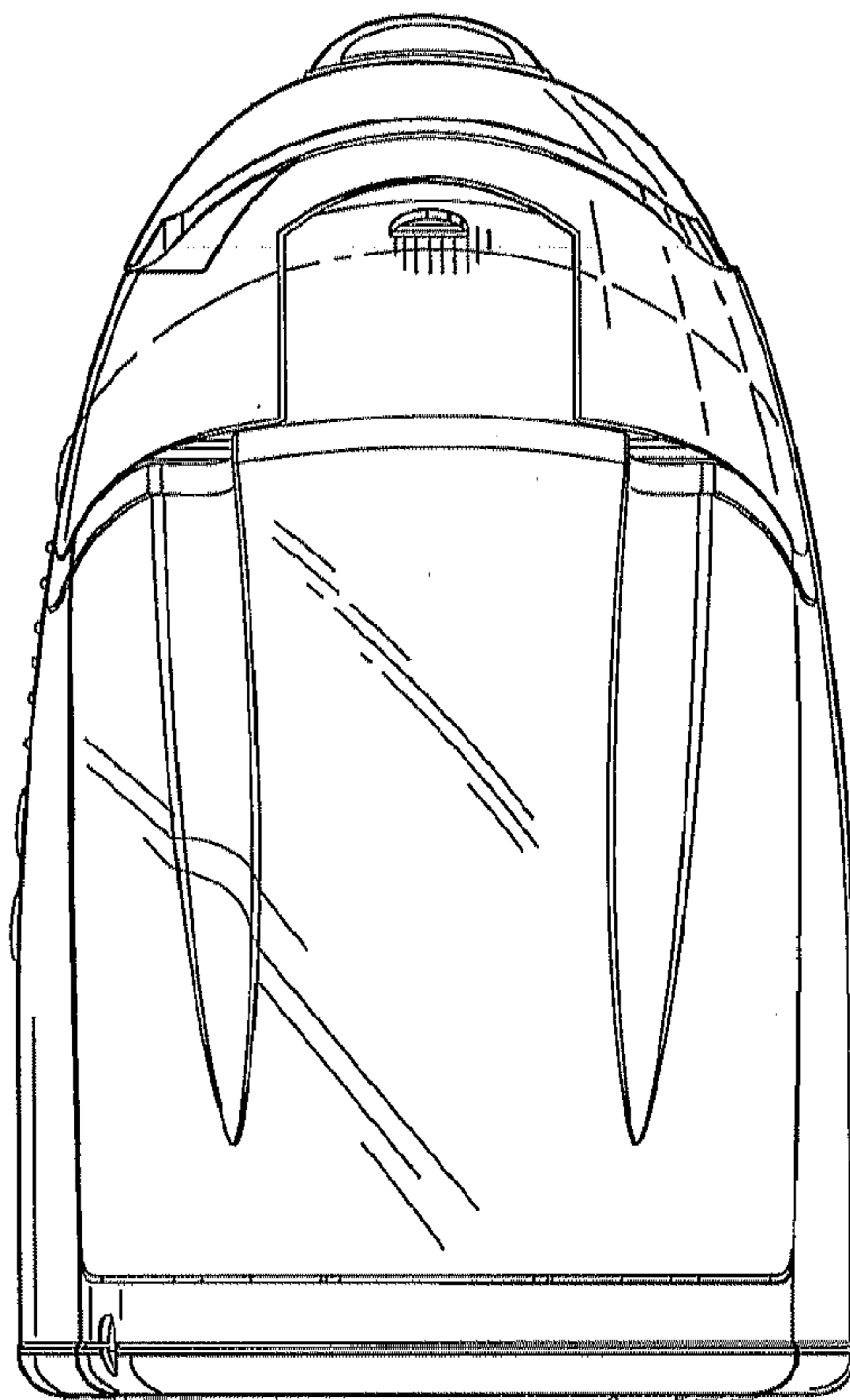


FIG. 6

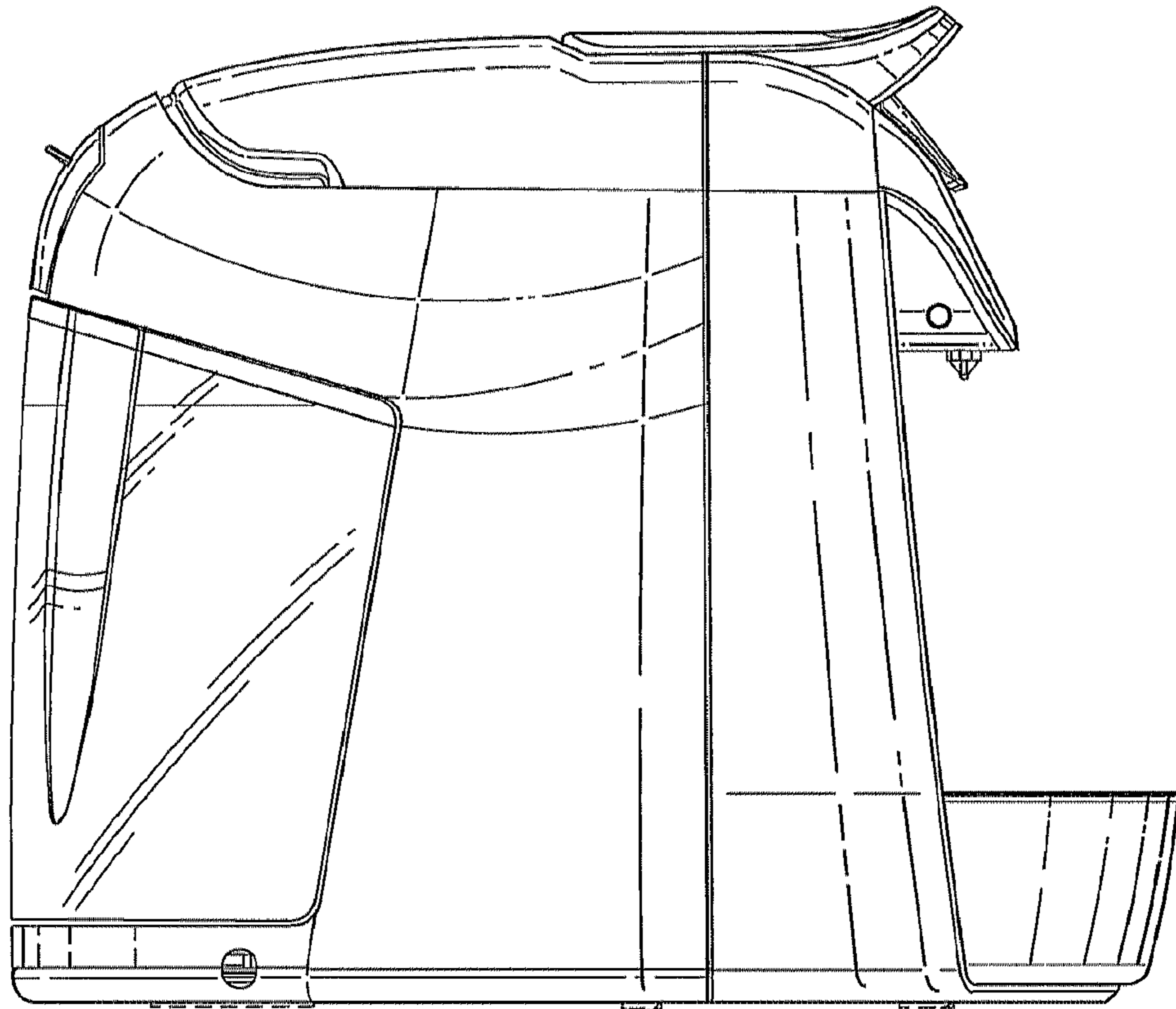


FIG. 7

