



US00D674231S

(12) **United States Design Patent**
Wilder et al.

(10) **Patent No.:** **US D674,231 S**
(45) **Date of Patent:** **** Jan. 15, 2013**

(54) **LIQUID DISPENSER AND FILTER**

(75) Inventors: **Haim Wilder**, Raanana (IL); **Eyal Krystal**, Kfar Saba (IL); **Omri Bar-On**, Jerusalem (IL); **Shlomi Hillel**, Petach Tikva (IL)

(73) Assignee: **Strauss Water Ltd.**, Petach Tikva (IL)

(**) Term: **14 Years**

(21) Appl. No.: **29/422,976**

(22) Filed: **May 25, 2012**

Related U.S. Application Data

(62) Division of application No. 29/389,614, filed on Apr. 14, 2011.

(30) **Foreign Application Priority Data**

Oct. 14, 2010 (IL) 50163
Oct. 14, 2010 (IL) 50164
Oct. 14, 2010 (IL) 50165
Oct. 14, 2010 (IL) 50166
Dec. 30, 2010 (IL) 50468

(51) **LOC (9) Cl.** **07-01**

(52) **U.S. Cl.** **D7/306; D7/311**

(58) **Field of Classification Search** D7/306-311,
D7/300; D15/80; 222/146.6; D23/209,
D23/207; 99/295, 305; D6/545, 542
See application file for complete search history.

(56) **References Cited**

U.S. PATENT DOCUMENTS

D445,292 S * 7/2001 Sowden D7/309
D486,880 S * 2/2004 Gracias et al. D23/207
D608,132 S * 1/2010 Bertolina D7/309
D610,389 S * 2/2010 Borin et al. D7/309
D611,289 S * 3/2010 de Visser D7/309
7,703,382 B2 * 4/2010 Oranski et al. 99/295

D622,534 S * 8/2010 Zimmermann D7/307
D623,461 S * 9/2010 Ashbridge D7/306
D623,462 S * 9/2010 Ashbridge D7/306
7,987,769 B2 * 8/2011 Oranski et al. 99/295
D645,289 S * 9/2011 Lenzi D7/309
D646,109 S * 10/2011 Zoppellari D7/309
D646,518 S * 10/2011 De' Longhi D7/309
D649,826 S * 12/2011 Garman D7/306
D660,071 S * 5/2012 Berlencourt D7/309
D665,218 S * 8/2012 Iseli D7/309

* cited by examiner

Primary Examiner — Marianne Pandozzi

(74) *Attorney, Agent, or Firm* — Nath, Goldberg & Meyer;
Jerald L. Meyer

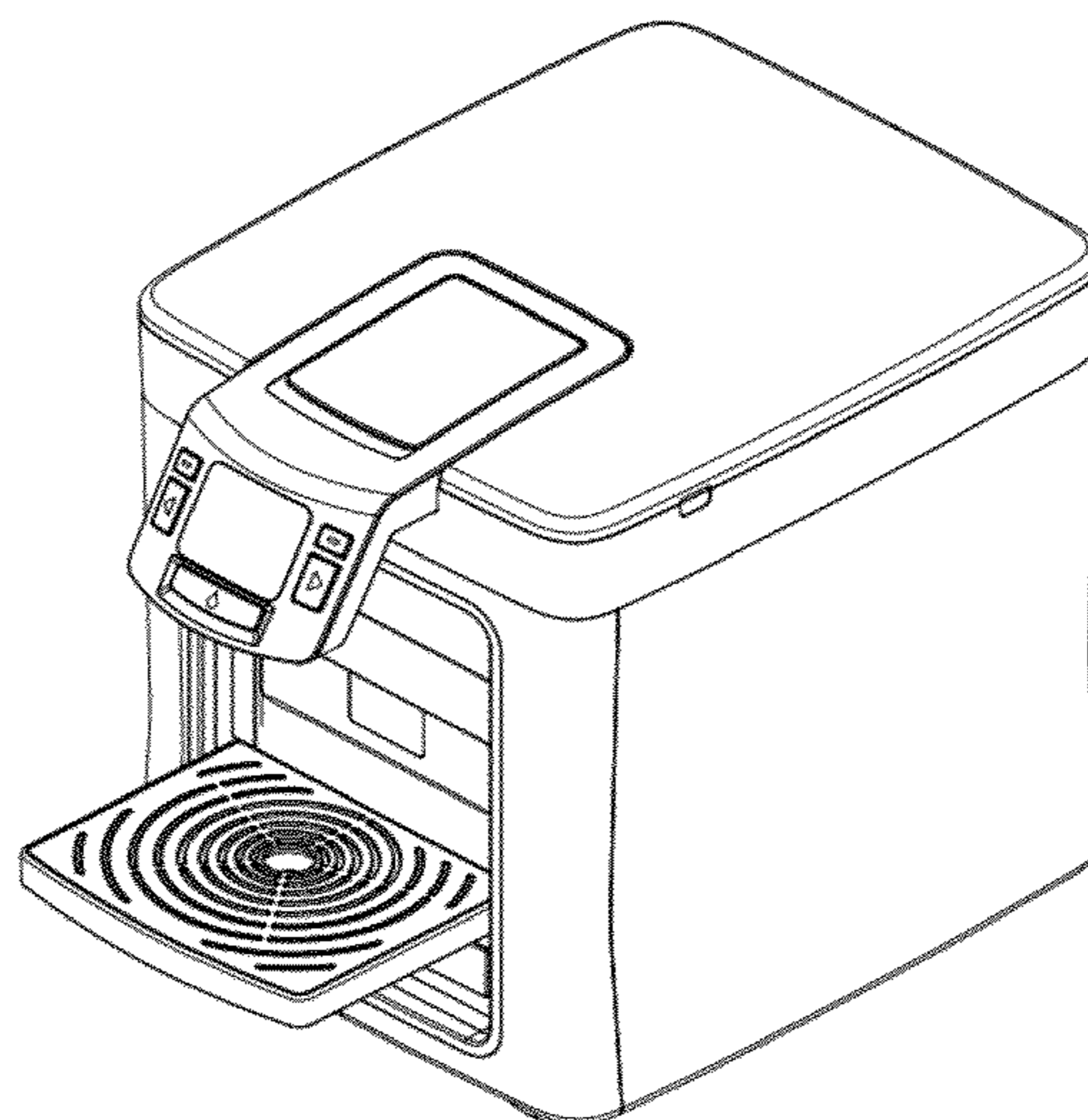
(57) **CLAIM**

The ornamental design for a liquid dispenser and filter, as shown and described.

DESCRIPTION

FIG. 1 is a perspective view of a design for a liquid dispenser with the tray in an extended position;
FIG. 2 is a left side elevational view of the design for a liquid dispenser at an extended position as seen in FIG. 1; right side being a mirror image;
FIG. 3 is a front elevational view of the design for a liquid dispenser at an extended position as seen in FIG. 1;
FIG. 4 is a top planar view of the design for a liquid dispenser with the tray in an extended position;
FIG. 5 is a perspective view of the design for a liquid dispenser with the tray in a folded position;
FIG. 6 is a left side elevational view of the design for a liquid dispenser with the tray in a folded position as seen in FIG. 5; left side being a mirror image;
FIG. 7 is a front elevational view of the design for a liquid dispenser with the tray in a folded position as seen in FIG. 5; and,
FIG. 8 is a top planar view of the design for a liquid dispenser with the tray in a closed position as seen in FIG. 5.

1 Claim, 8 Drawing Sheets



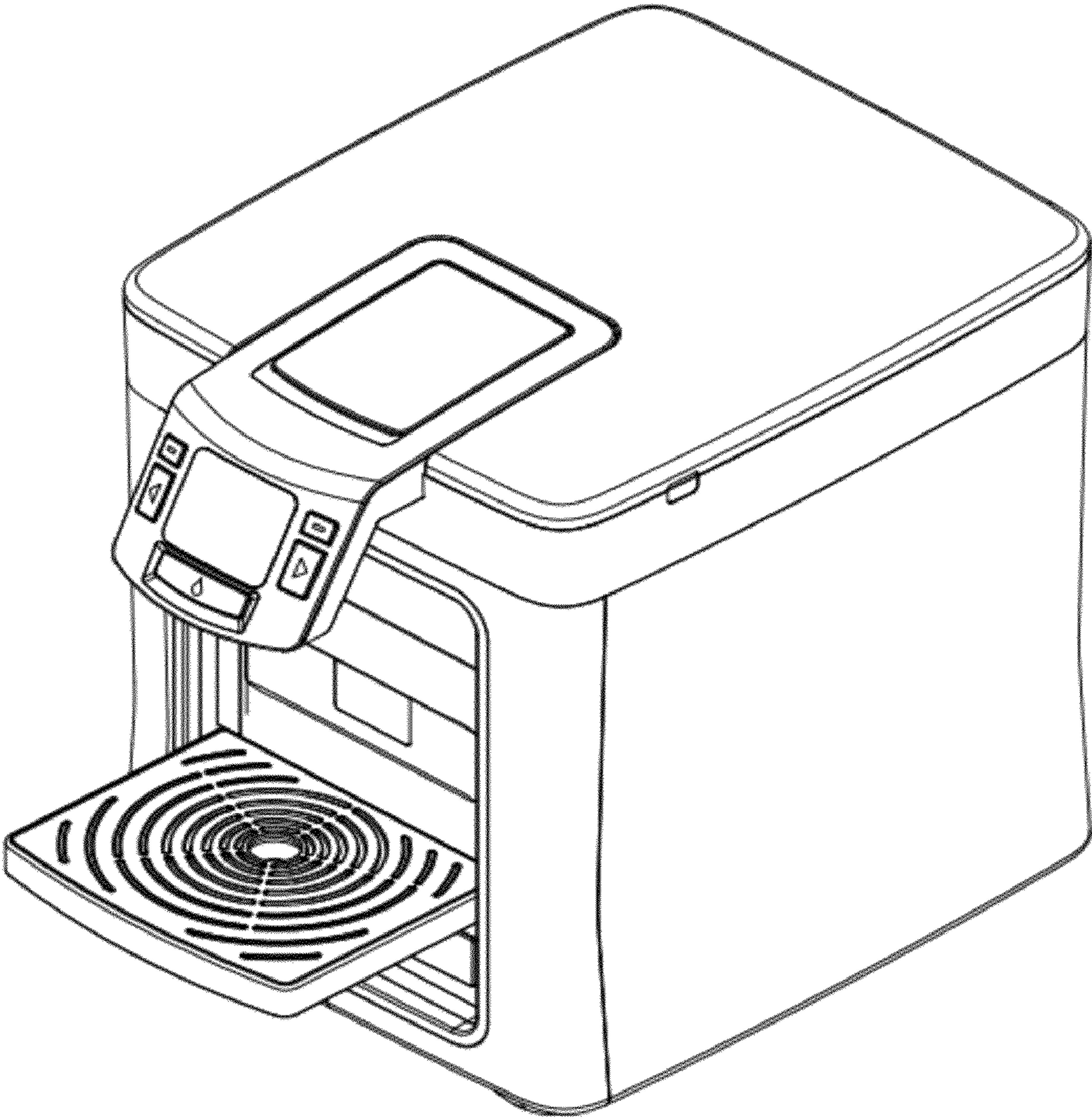


FIG. 1

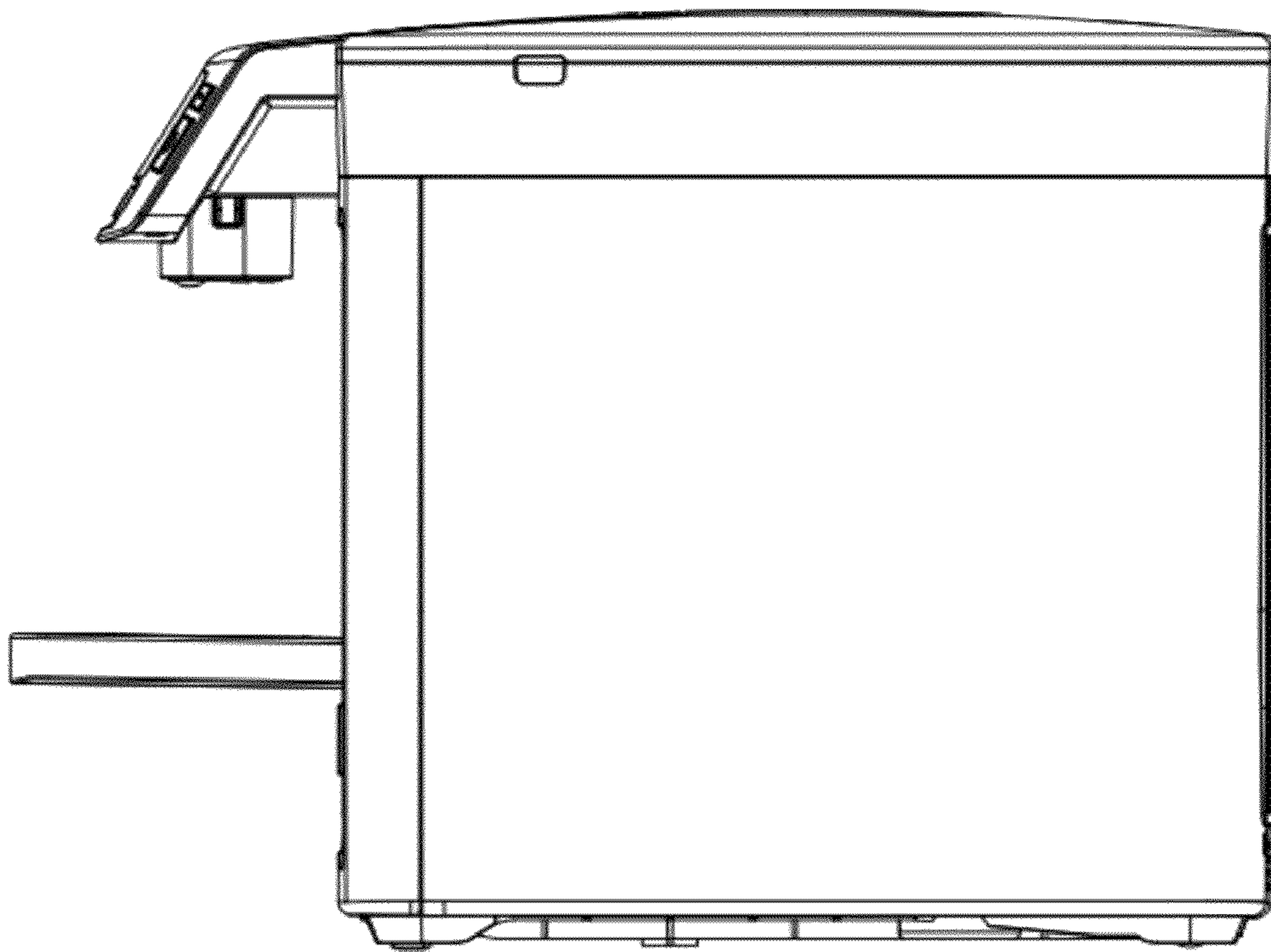


FIG. 2

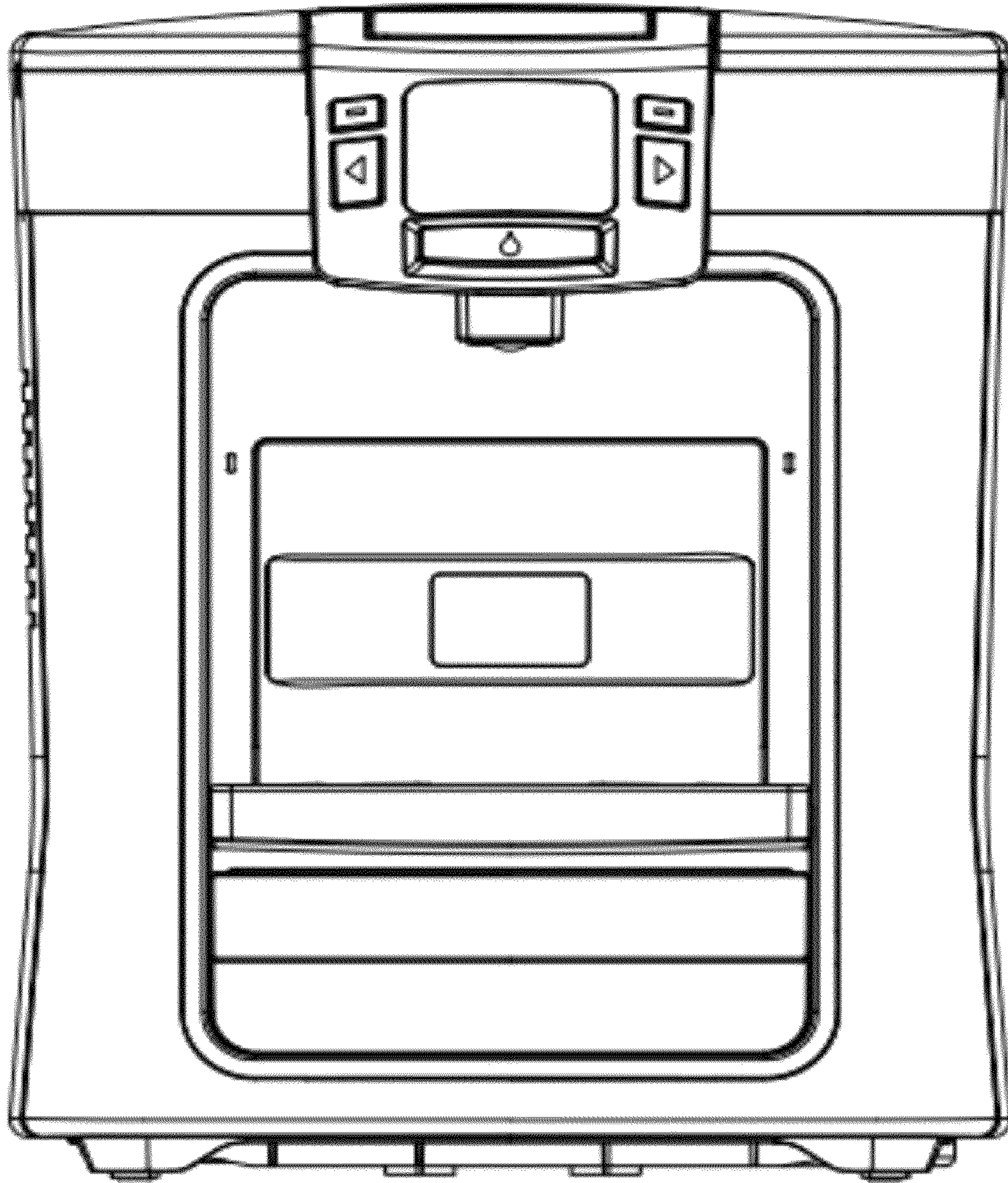


FIG. 3

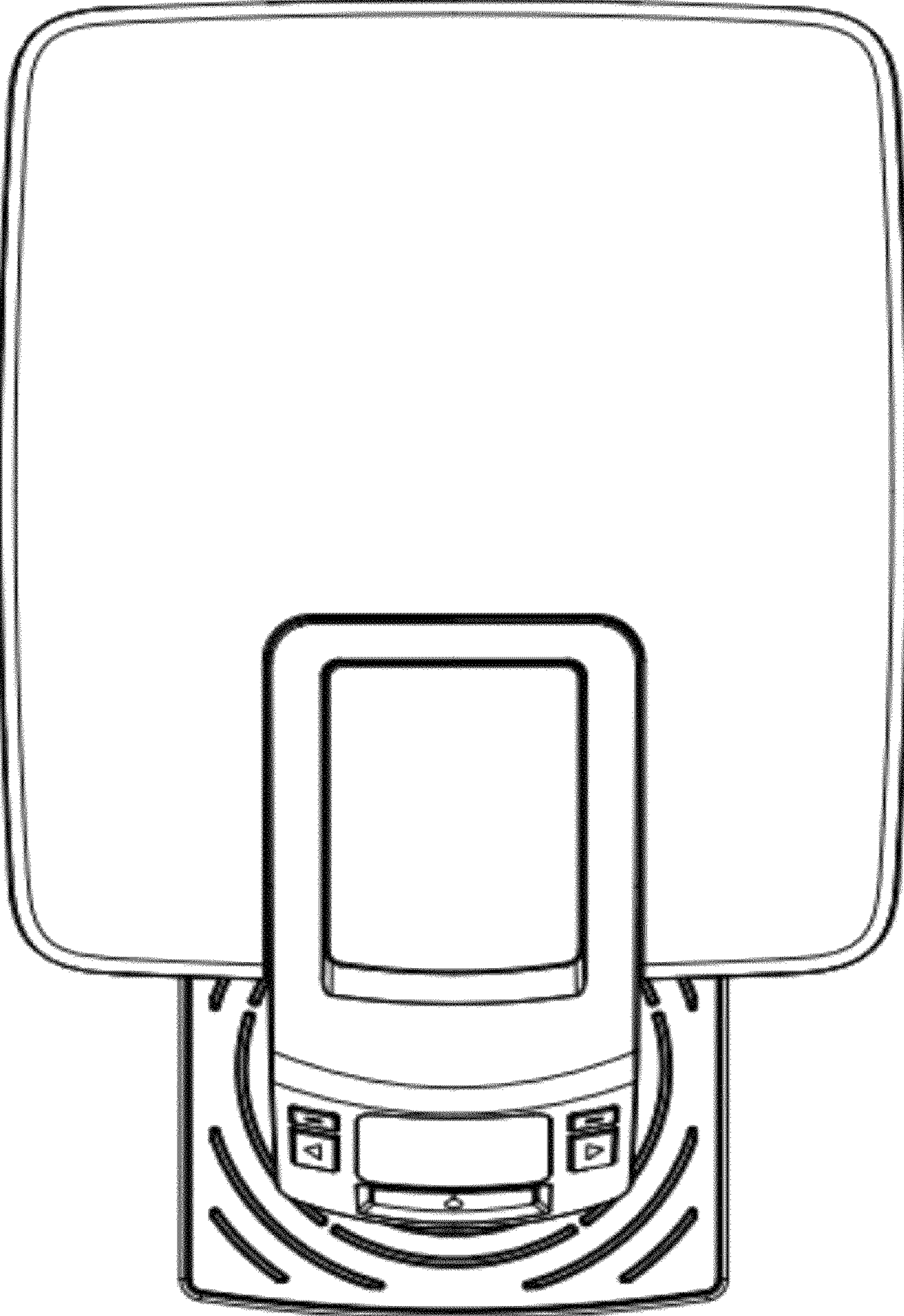


FIG. 4

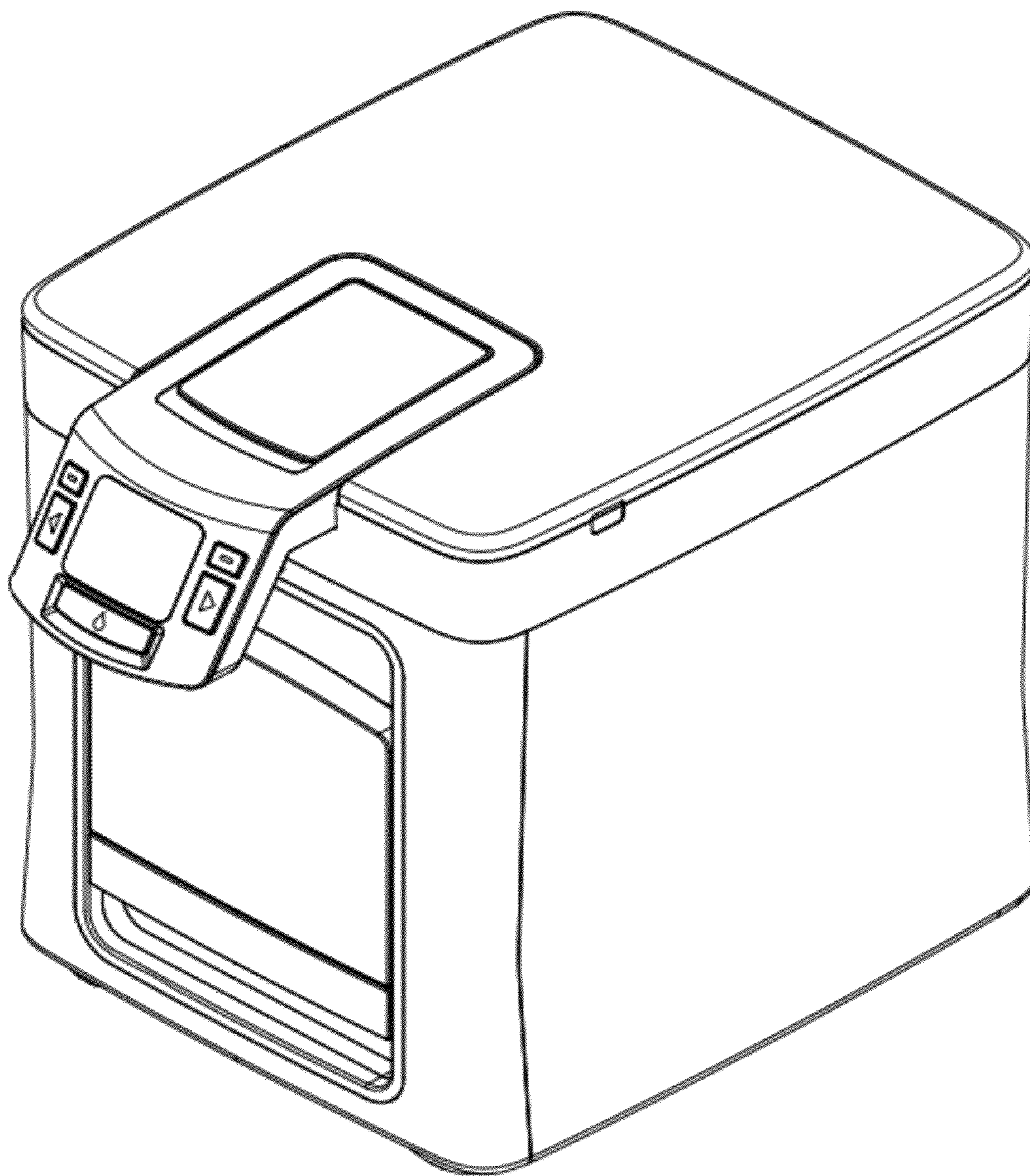


FIG. 5

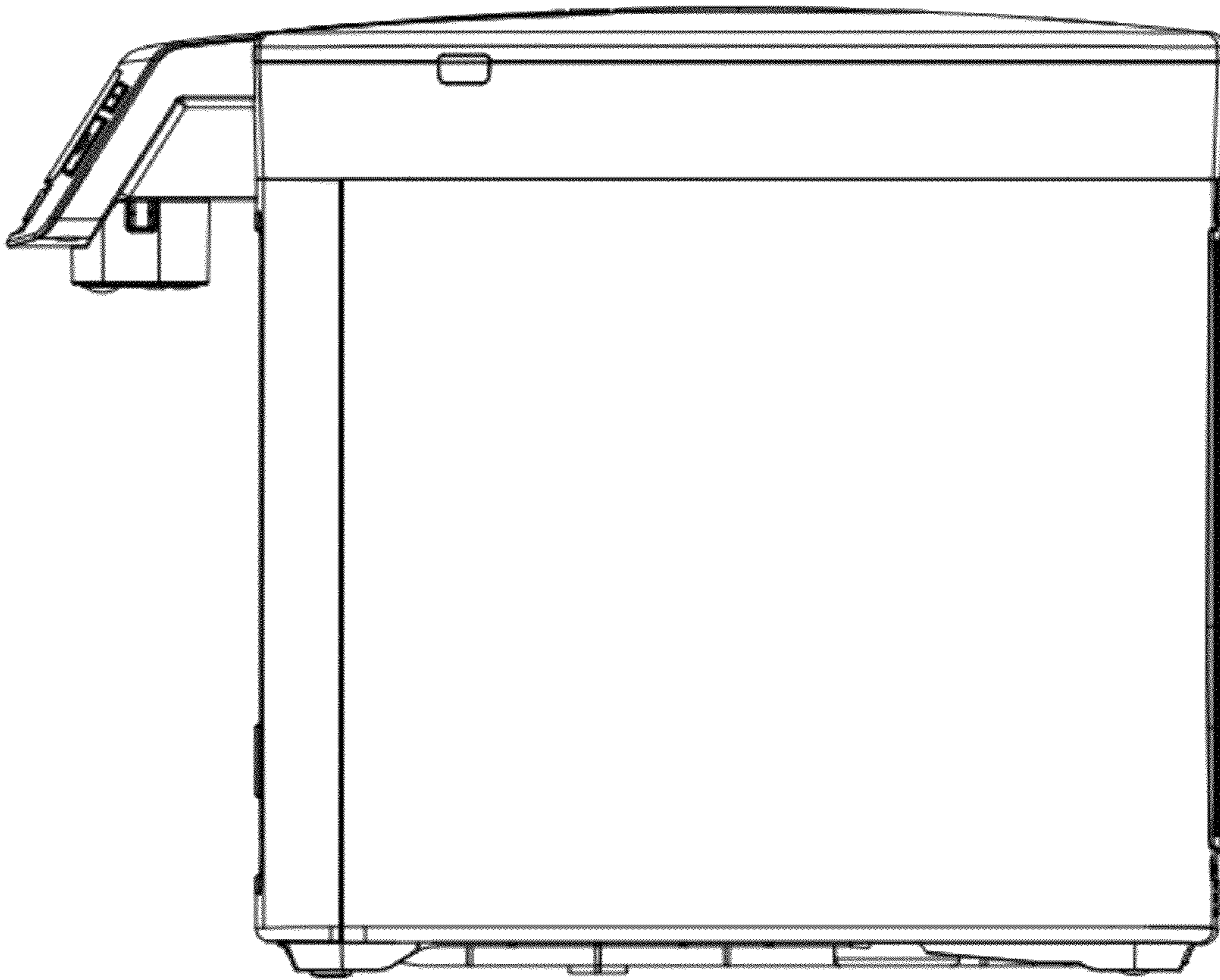


FIG. 6

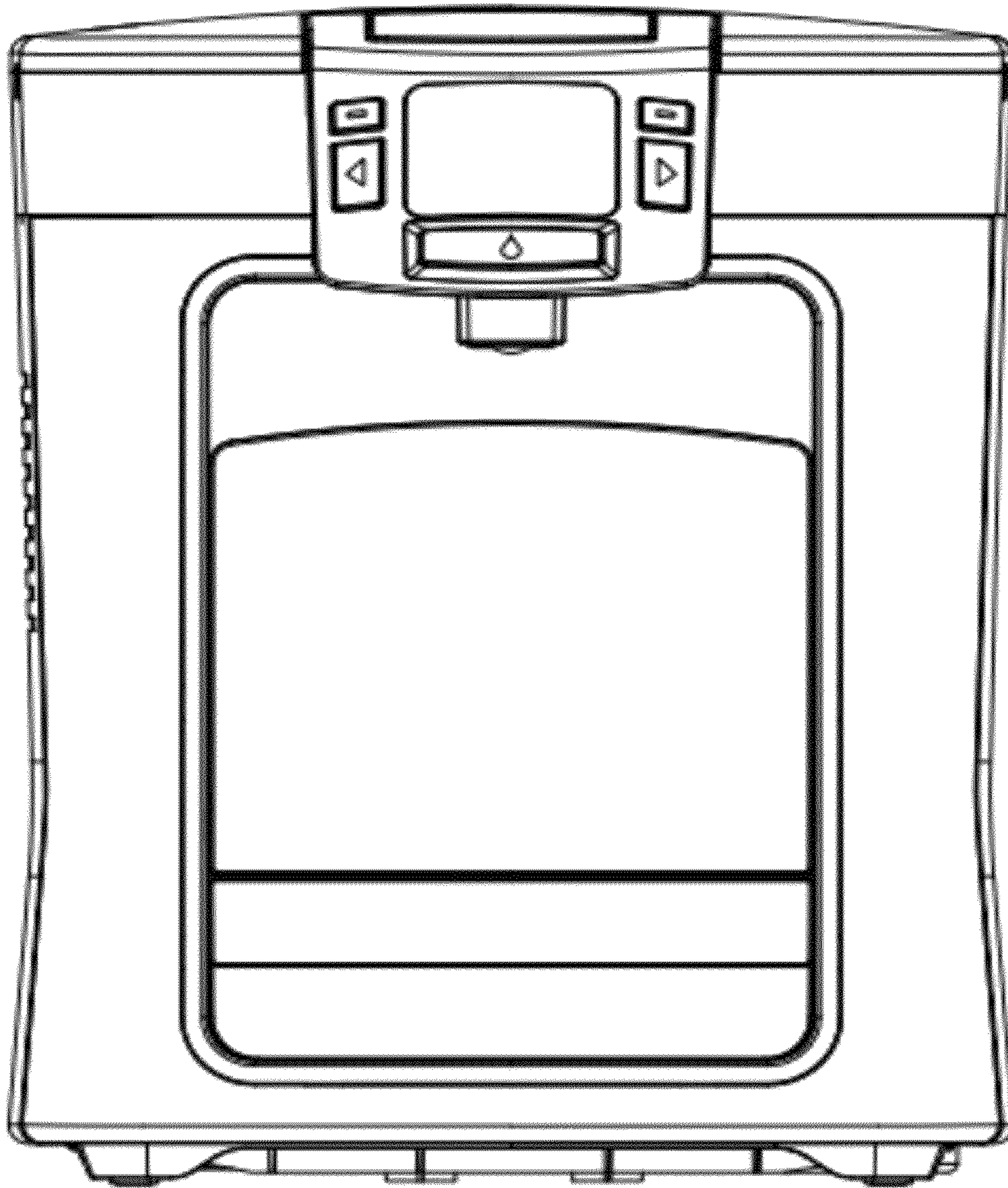


FIG. 7

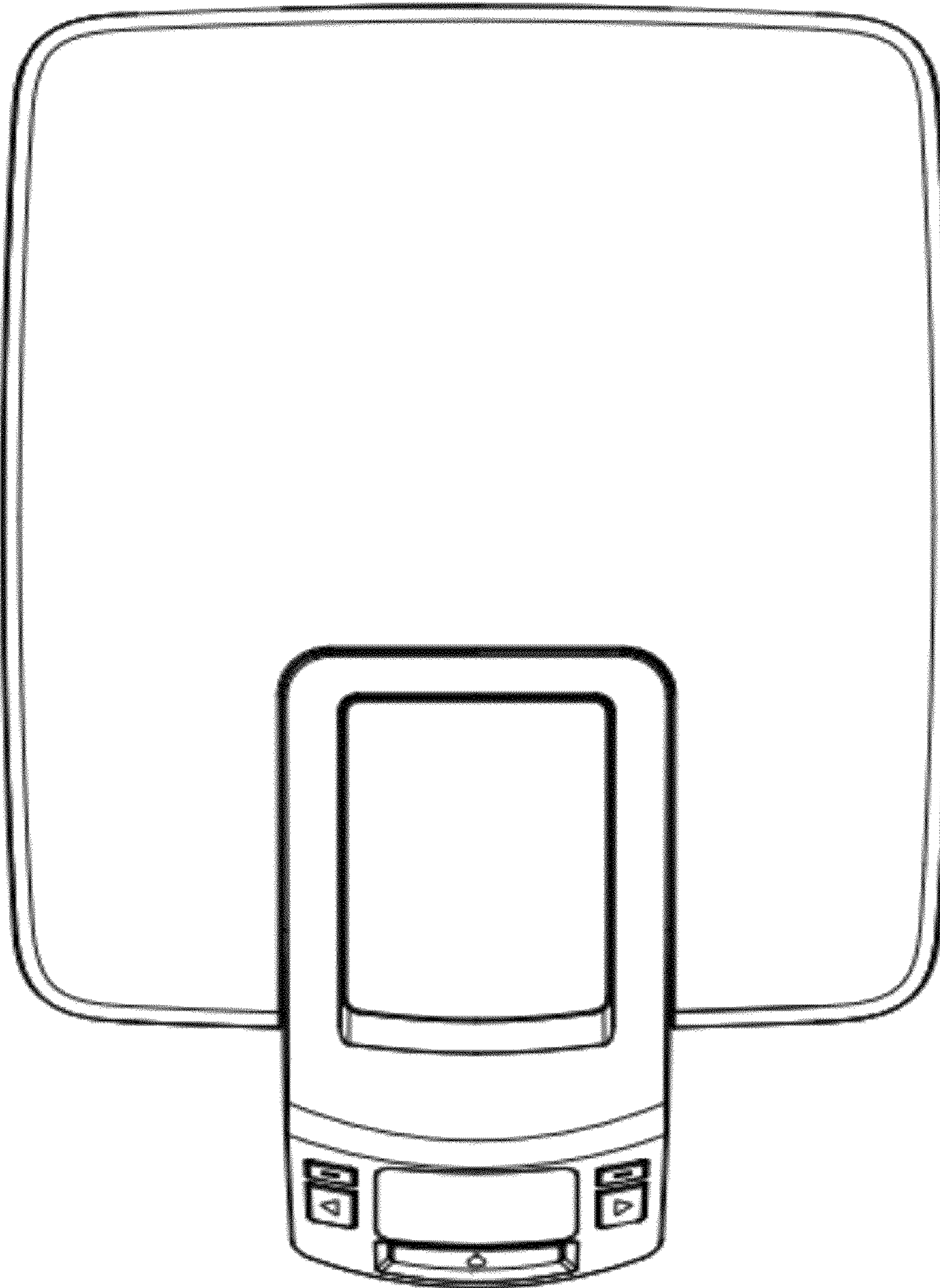


FIG. 8