

US00D674226S

(12) **United States Design Patent**
Greenwald

(10) **Patent No.:** **US D674,226 S**

(45) **Date of Patent:** **** Jan. 15, 2013**

(54) **YOGA MAT COVER**

(76) Inventor: **Cheryl L. Greenwald**, Shaker Heights,
OH (US)

(**) Term: **14 Years**

(21) Appl. No.: **29/406,264**

(22) Filed: **Nov. 11, 2011**

(51) **LOC (9) Cl.** **06-11**

(52) **U.S. Cl.** **D6/582**

(58) **Field of Classification Search** D5/30,
D5/47, 49, 58, 61-63, 99, 53, 57; D6/582,
D6/583, 588, 591, 592, 613, 615, 617, 619,
D6/620, 621; D12/203; D19/1, 5, 8; 4/581,
4/582, 583; 5/417, 420; 15/215, 238; 52/660;
428/85; D32/57

See application file for complete search history.

(56) **References Cited**

U.S. PATENT DOCUMENTS

3,435,480	A *	4/1969	Mann, Jr.	15/215
3,517,407	A *	6/1970	Wyant	15/215
3,663,980	A *	5/1972	Conklin	15/215
3,823,058	A *	7/1974	Yamaguchi	428/85
4,164,275	A *	8/1979	Davis	190/2
5,048,137	A *	9/1991	Rogers	5/731
5,117,517	A *	6/1992	Su	5/709
D339,560	S *	9/1993	Byrd	D12/203

5,887,300	A *	3/1999	Pond	5/420
D447,606	S *	9/2001	Miller	D29/121.1
D488,661	S *	4/2004	Barman	D6/596
6,751,816	B1 *	6/2004	Wechsler	5/417
2003/0104910	A1 *	6/2003	McCoy	482/142

* cited by examiner

Primary Examiner — Karen S Acker

(74) *Attorney, Agent, or Firm* — Howard M. Cohn

(57) **CLAIM**

I claim the ornamental design of a yoga mat cover, as shown and described.

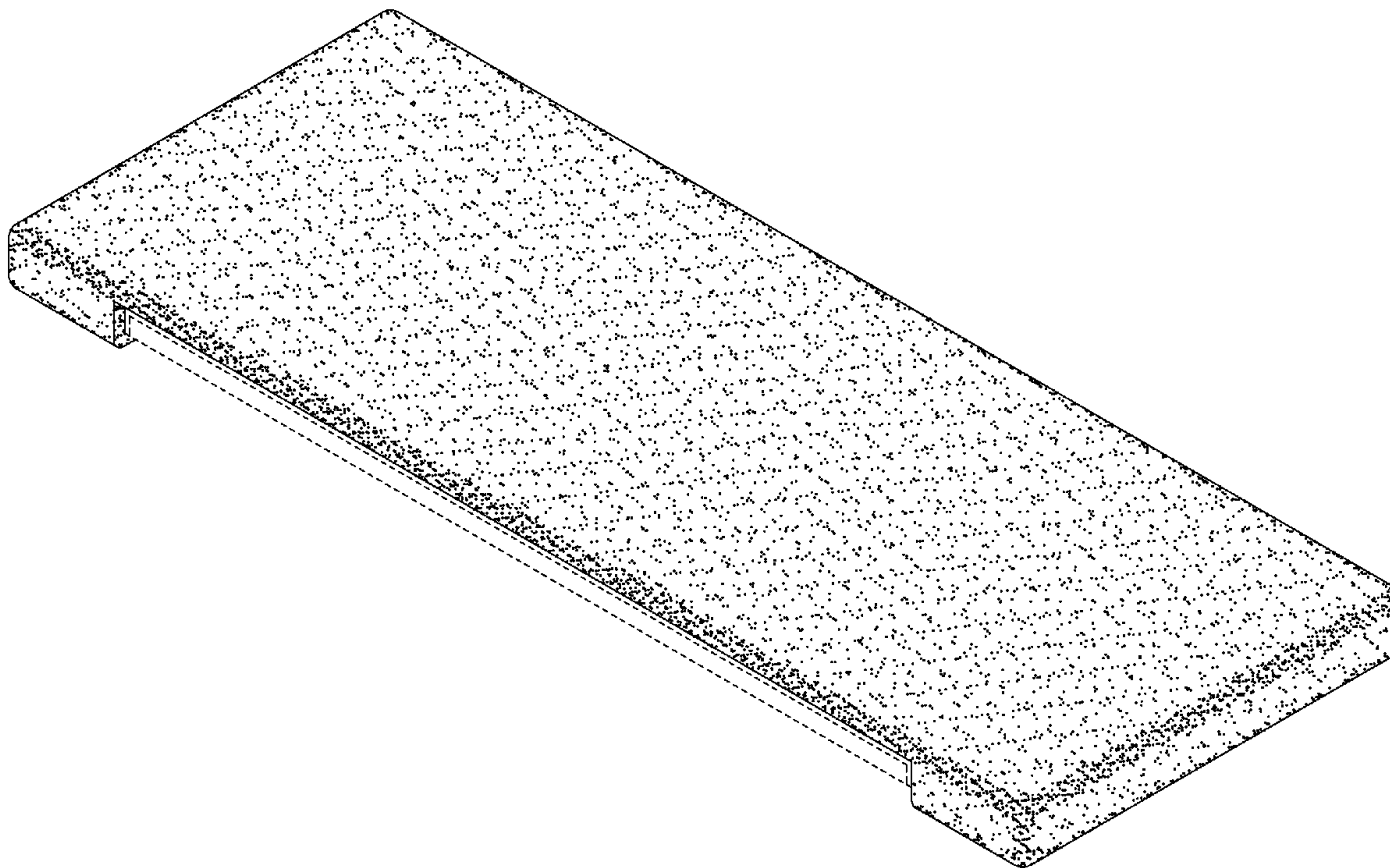
DESCRIPTION

FIG. 1 is a left, front perspective view of a yoga mat cover; FIG. 2 is a top plan view of a yoga mat cover; FIG. 3 is a front elevational view of a yoga mat cover; FIG. 4 is a rear elevational view of a yoga mat cover; FIG. 5 is a bottom plan view of a yoga mat cover; FIG. 6 is a left side elevational view of a yoga mat cover; and, FIG. 7 is a right side elevational view of a yoga mat cover.

The broken lines and the area within the broken lines represent the unclaimed yoga mat showing the design in a position of use and the unclaimed portion of the yoga mat cover. The broken lines form no part of the claim.

The surface shading represents the surface of the yoga mat cover.

1 Claim, 4 Drawing Sheets



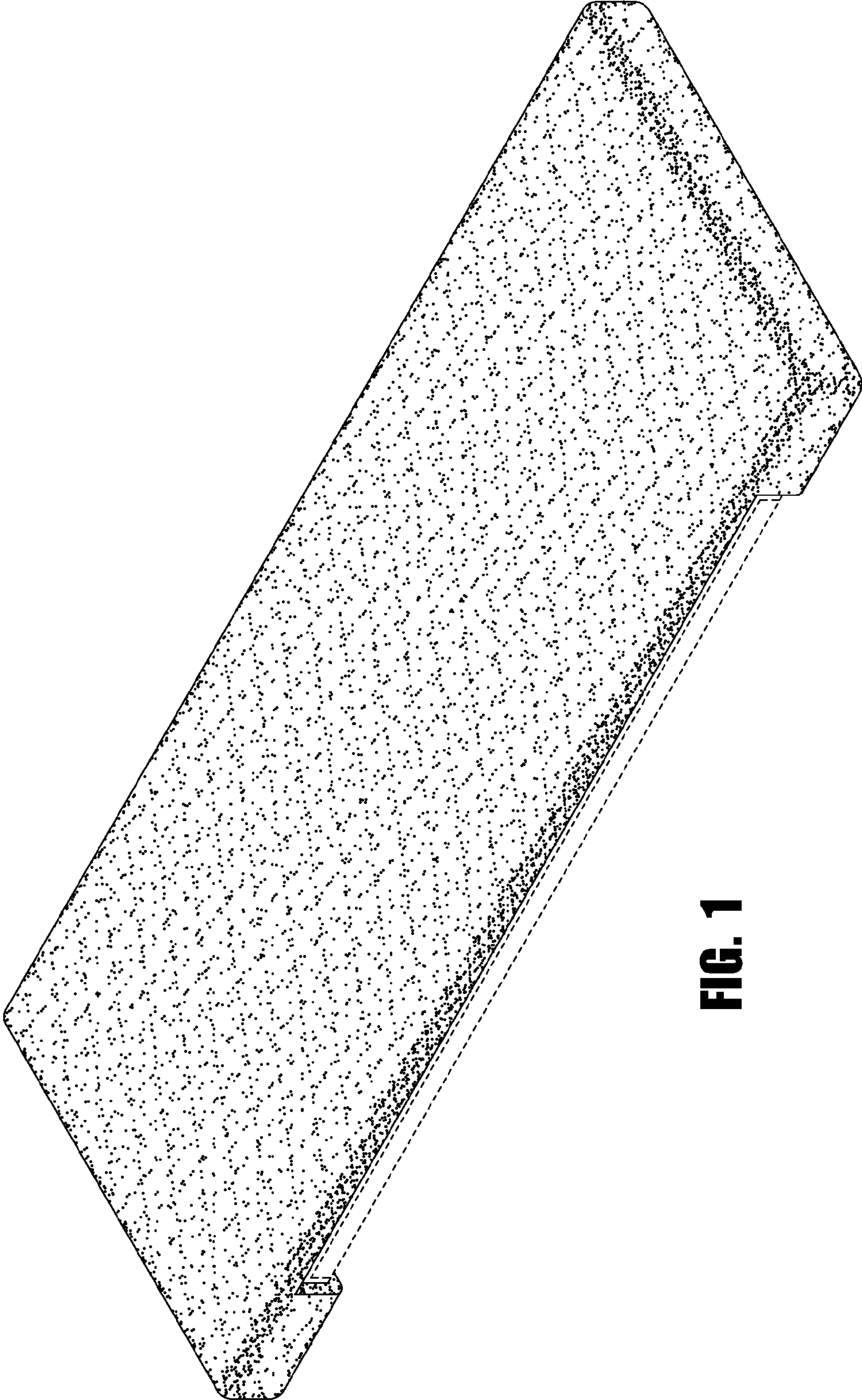


FIG. 1

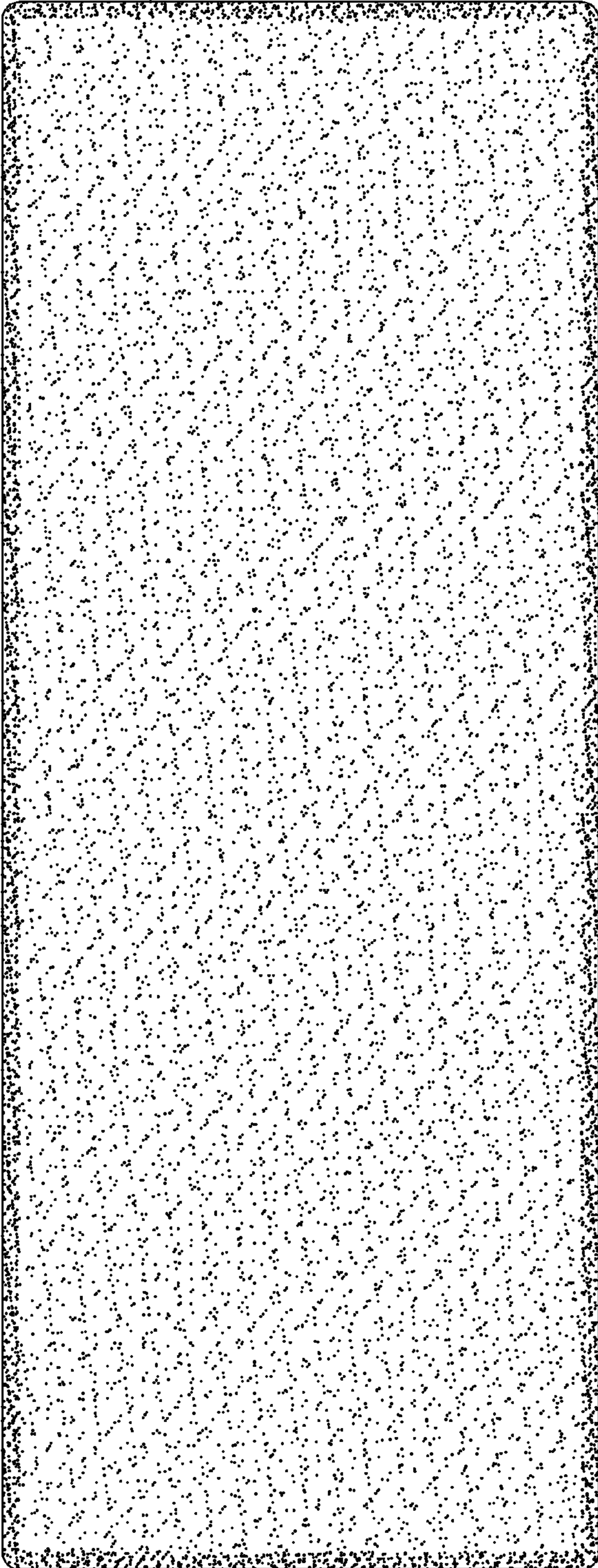


FIG. 2

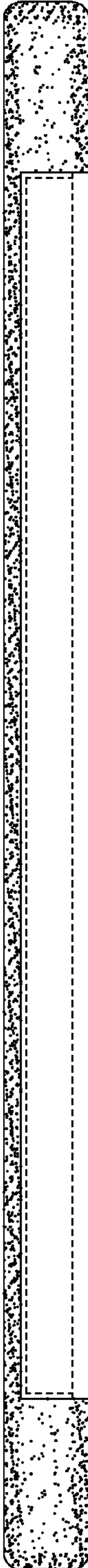


FIG. 3

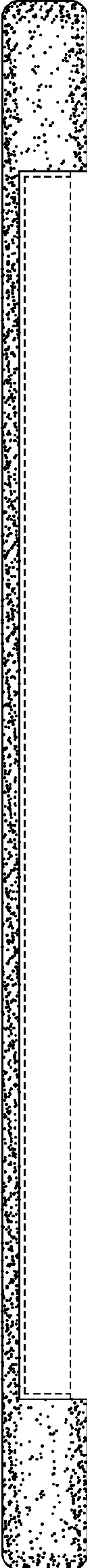


FIG. 4

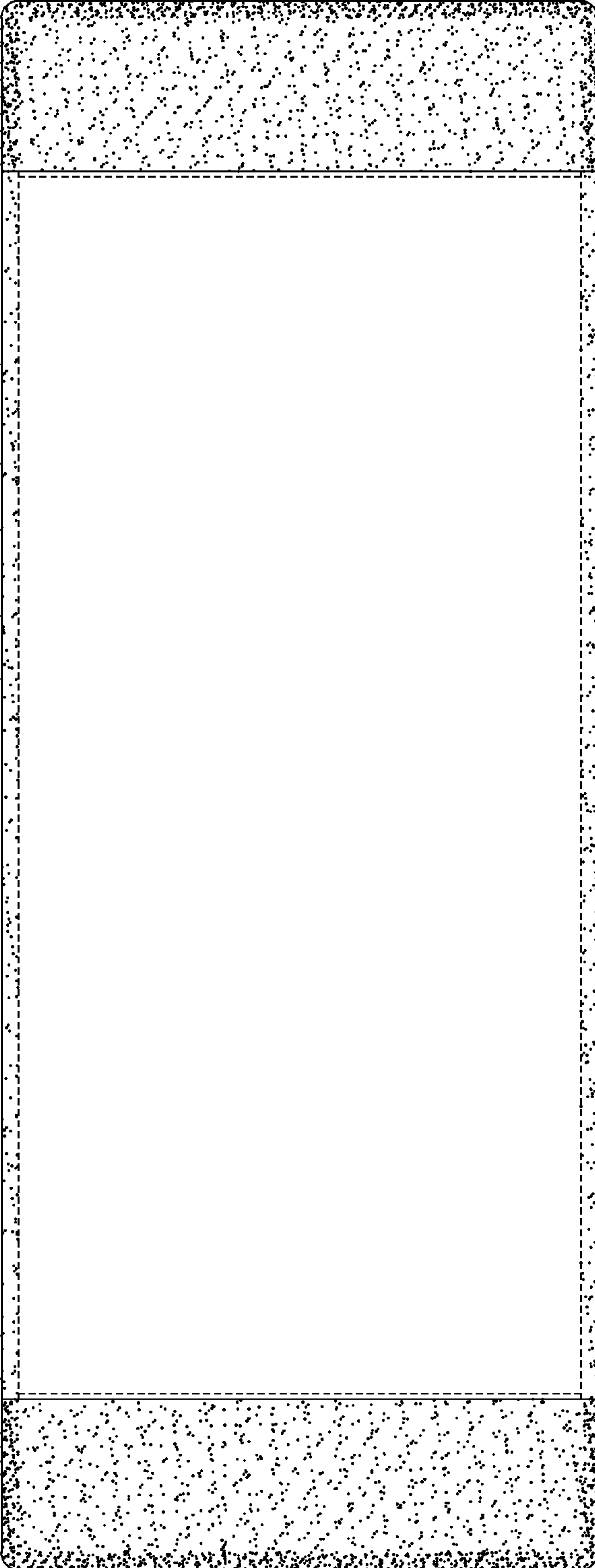


FIG. 5

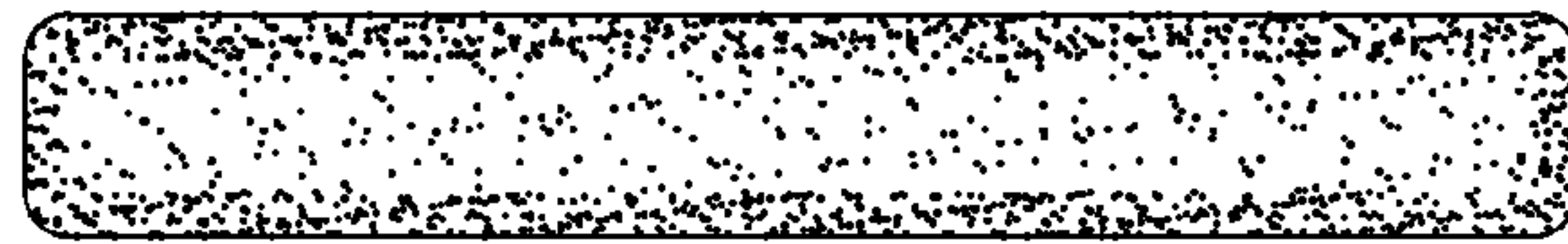


FIG. 6

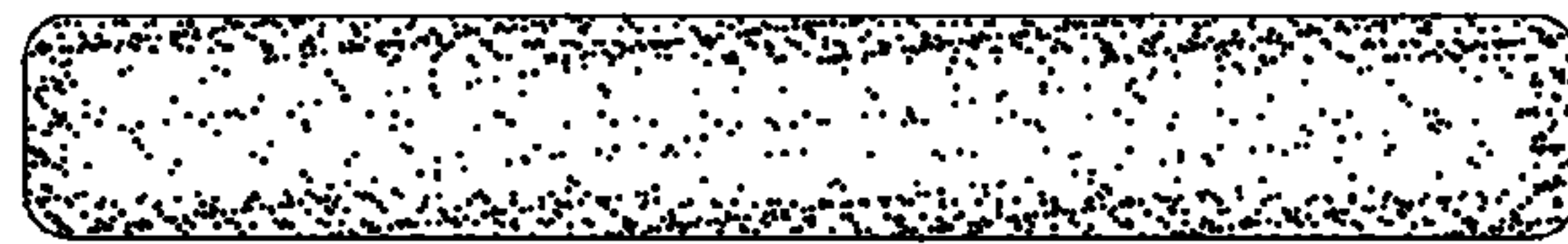


FIG. 7