



US00D674225S

(12) **United States Design Patent**
Boyer

(10) **Patent No.:** **US D674,225 S**
(45) **Date of Patent:** **** Jan. 15, 2013**

(54) **FOLDABLE MAT**

(75) Inventor: **Damion J. Boyer**, New York, NY (US)

(73) Assignee: **DaBo, LLC**, New York, NY (US)

(**) Term: **14 Years**

(21) Appl. No.: **29/403,290**

(22) Filed: **Oct. 4, 2011**

(51) **LOC (9) Cl.** **06-11**

(52) **U.S. Cl.** **D6/582**

(58) **Field of Classification Search** D5/30,
D5/47, 49, 58, 61-63, 99, 53, 57; D6/582,
D6/583, 588, 591, 592, 613, 615, 617, 619,
D6/620, 621; D12/203; D19/1, 5, 8; 4/581,
4/582, 583; 5/417, 420; 15/215, 238; 52/660;
428/85; D32/57

See application file for complete search history.

(56) **References Cited**

U.S. PATENT DOCUMENTS

3,041,637	A *	7/1962	Emery	5/634
3,121,884	A *	2/1964	Emery	5/634
4,370,767	A	2/1983	Fraser	
4,654,907	A *	4/1987	Haugaard	5/420
4,926,512	A *	5/1990	Coyle	5/417
5,203,041	A *	4/1993	Alonso	5/420
5,265,292	A *	11/1993	Underell	5/419
5,303,435	A	4/1994	Haar et al.	
5,370,460	A	12/1994	Nelson	
D374,789	S *	10/1996	Kalista et al.	D6/596
D391,314	S *	2/1998	Cordero	D21/687
D397,269	S *	8/1998	Kawamoto	D6/596
5,802,642	A	9/1998	Slaughter	
5,887,301	A	3/1999	Anderson	
6,387,013	B1 *	5/2002	Marquez	482/23
D544,281	S *	6/2007	Appleby	D6/582
D554,423	S *	11/2007	Huffman	D6/582
8,075,464	B2 *	12/2011	Hayes et al.	482/142
D658,420	S *	5/2012	Liang	D6/592
D660,068	S *	5/2012	Wang	D6/582
2005/0039261	A1	2/2005	Corral	
2005/0081297	A1	4/2005	Woodward et al.	
2006/0160672	A1 *	7/2006	Appleby	482/84
2007/0082177	A1 *	4/2007	Robbins	428/167

2007/0226904	A1	10/2007	Huffman	
2008/0118671	A1 *	5/2008	Bienkiewicz	428/12
2008/0178391	A1 *	7/2008	Andrade	5/705
2009/0241260	A1 *	10/2009	Noonan	5/417
2010/0260963	A1 *	10/2010	Feng Shen	428/71

OTHER PUBLICATIONS

MRM, Folding-Exercise-Fitness-Yoga-Pilates-Gym-Mat-Blue (date unknown) [first viewed on Jun. 27, 2011]; [no longer available for retrieval] [ebay item no longer for sale]; previously retrieved from the Internet: <URL: http://cgi.ebay.com/NEW-Folding-Exercise-Fitness-Yoga-Pilates-Gym-Mat-Blue-/370508324634?_trksid=p3284.m263&_trkparms=algo%3DSIC%26its%3DI%26itu%3DUCI%252BIA%252BUA%252BFICS%252BUFI%26otn%3D21%26pmod%3D230621515183%26ps%3D54>

CleverBrand, 3500 24 in. x54 in. Folded Royal Blue Mat (date unknown) [first viewed: Jun. 27, 2011]; retrieved on Jan. 23, 2012; retrieved from the Internet: <URL: <http://www.cleverbrand.com/portal.aspx?CN=796C48C4DA8A&MN=45A701D05D75>>

Sports Land Overseas Pvt. Ltd., Folding Yoga Mat (date unknown) [first viewed on Jun. 27, 2011] retrieved on Jan. 13, 2012; retrieved from the Internet: <URL: http://www.alibaba.com/product-tp/105234827/Folding_yoga_mat.html>

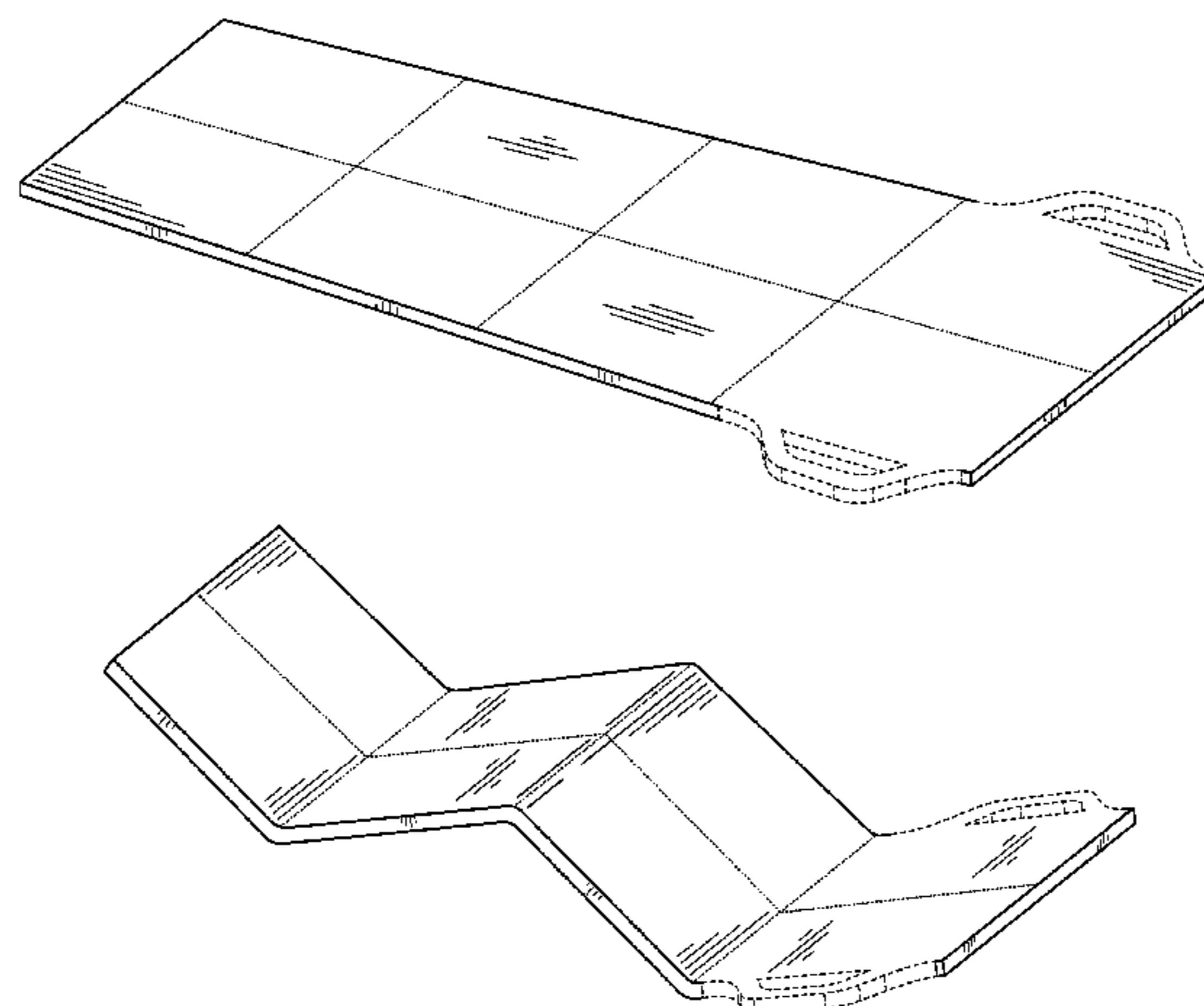
Jiangxi Lvten Plastic Industry Co., Ltd., Yoga Mat (date unknown) [first viewed on Jun. 27, 2011]; retrieved on Jan. 23, 2012; retrieved from the Internet: <URL: http://www.alibaba.com/product-gs/457604386/yoga_mat/showimage.html?newId=457804388&pn=1&pt=10&t=12&cids=100432112,200218099,200858058,200015091,200915577,200427109,50134515,200000370,200697270>

Shanghai Sunny Fitness Goods Co., Ltd., PVC Yoga Folded Mat (date unknown) [first viewed on Jun. 27, 2011]; retrieved on Jan. 13, 2012; retrieved from the Internet: <URL: http://www.alibaba.com/product-gs/425909552/PVC_yoga_folded_mat.html>

Altus, Altus® Folding Yoga Mat with Printed Exercises (date unknown) [first viewed on Jun. 27, 2011]; retrieved on Jan. 23, 2012; retrieved from the Internet: <URL: http://www.casualmale.com/store/en_US/catalog/browse_sku.jsp;jsessionid=Ogyc1I6K47YeFHdteq2UHg**.node3?clear=true&catID=cat3360188&prodId=X1999&id=cat3360188>

Crescent Moon Yoga, The "Earth-Friendly" ECOMat™ (date unknown) [first viewed on Jun. 27, 2011] retrieved on Jan. 23, 2012; retrieved from the Internet: <URL: <http://www.crescentmoonyoga.com/Item.asp?cid=2&scid=2&pid=111>>

Jiangsu Qiansheng Composite Material Co., Ltd., Folded Yoga Mat (date unknown) [first viewed on Jun. 27, 2011]; retrieved on Jan. 23,



2012; retrieved from the Internet: <URL: http://www.alibaba.com/product-gs/203859644/folded_yoga_mat.html.

Tone Fitness, Tone Fitness Anti-Microbial Folding Exercise Mat (date unknown) [first viewed on Jun. 27, 2011]; retrieved on Jan. 23, 2012; retrieved from the Internet: URL: http://www.marketarnerica.com/affiliate-61084483/toner-fitness-antimicrobial-folding_exercise_mat.htm.

Nelson Mitchell Design, Folding Yoga Mat Concept (date unknown) [first viewed on Jun. 27, 2011]; retrieved on Jan. 23, 2012; retrieved from the Internet: <URL: <http://www.maxmitch.com/nelson/?p=264>.

* cited by examiner

Primary Examiner — Karen S Acker

(74) *Attorney, Agent, or Firm* — Lerner, David, Littenberg, Krumholz & Mentlik, LLP

(57) **CLAIM**

The ornamental design for a foldable mat, as shown and described.

DESCRIPTION

FIG. 1 is a perspective view of a foldable mat in accordance with a first embodiment of the invention;

FIG. 2 is a front elevational view of the foldable mat of FIG. 1, the rear elevational view being a mirror image of the front;

FIG. 3 is a right side elevational view of the foldable mat of FIG. 1;

FIG. 4 is a left side elevational view of the foldable mat of FIG. 1;

FIG. 5 is a top plan view of the foldable mat of FIG. 1, the bottom plan view being a mirror image of the top;

FIG. 6 is a perspective view of the foldable mat of FIG. 1 shown in a partially folded orientation;

FIG. 7 is a front elevational view of the foldable mat as shown in FIG. 6, the rear elevational view being a mirror image of the front;

FIG. 8 is a right side elevational view of the foldable mat as shown in FIG. 6;

FIG. 9 is a left side elevational view of the foldable mat as shown in FIG. 6;

FIG. 10 is a top plan view of the foldable mat as shown in FIG. 6, the bottom plan view being a mirror image of the top;

FIG. 11 is a perspective view of the foldable mat of FIG. 1 in a folded orientation;

FIG. 12 is a front elevational view of the foldable mat as shown in FIG. 11, the rear elevational view being a mirror image of the front;

FIG. 13 is a right side elevational view of the foldable mat as shown in FIG. 11;

FIG. 14 is a left side elevational view of the foldable mat as shown in FIG. 11;

FIG. 15 is a top plan view of the foldable mat as shown in FIG. 11;

FIG. 16 is a bottom plan view of the foldable mat as shown in FIG. 11;

FIG. 17 is a perspective view of a foldable mat in accordance with a second embodiment of the design;

FIG. 18 is a front elevational view of the foldable mat of FIG. 17, the rear elevational view being a mirror image of the front;

FIG. 19 is a right side elevational view of the foldable mat of FIG. 17;

FIG. 20 is a left side elevational view of the foldable mat of FIG. 17;

FIG. 21 is a top plan view of the foldable mat of FIG. 17;

FIG. 22 is a bottom plan view of the foldable mat of FIG. 17;

FIG. 23 is a perspective view of the foldable mat of FIG. 17 shown in a partially folded orientation;

FIG. 24 is a front elevational view of the foldable mat as shown in FIG. 23, the rear elevational view being a mirror image of the front;

FIG. 25 is a right side elevational view of the foldable mat as shown in FIG. 23;

FIG. 26 is a left side elevational view of the foldable mat as shown in FIG. 23;

FIG. 27 is a top plan view of the foldable mat as shown in FIG. 23;

FIG. 28 is a bottom plan view of the foldable mat as shown in FIG. 23;

FIG. 29 is a perspective view of the foldable mat of FIG. 23 in a folded orientation;

FIG. 30 is a front elevational view of the foldable mat as shown in FIG. 29;

FIG. 31 is a right side elevational view of the foldable mat as shown in FIG. 29;

FIG. 32 is a left side elevational view of the foldable mat as shown in FIG. 29;

FIG. 33 is a top plan view of the foldable mat as shown in FIG. 29; and,

FIG. 34 is a bottom plan view of the foldable mat as shown in FIG. 29.

The dotted lines represent the claimed fold lines of the foldable mat. The evenly spaced broken lines representing the handles are unclaimed portions of the foldable mat.

1 Claim, 19 Drawing Sheets

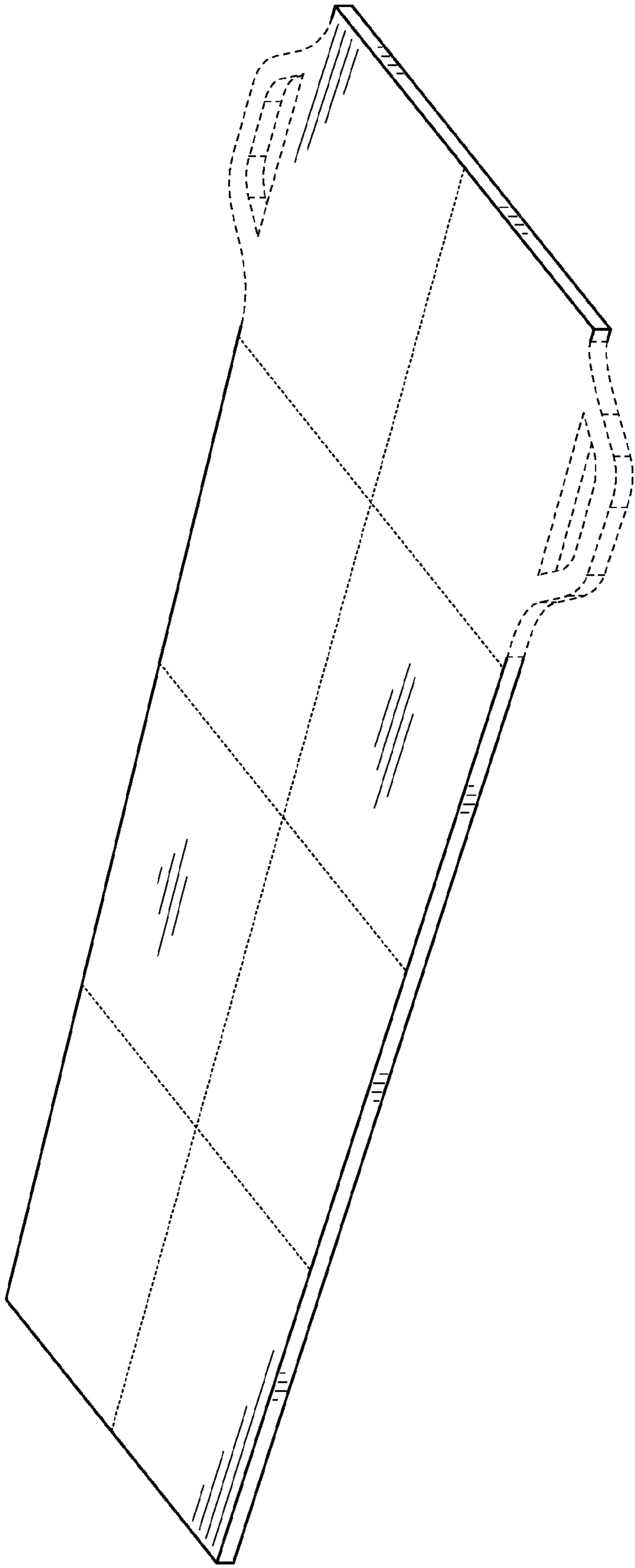


FIG. 1



FIG. 2



FIG. 3



FIG. 4

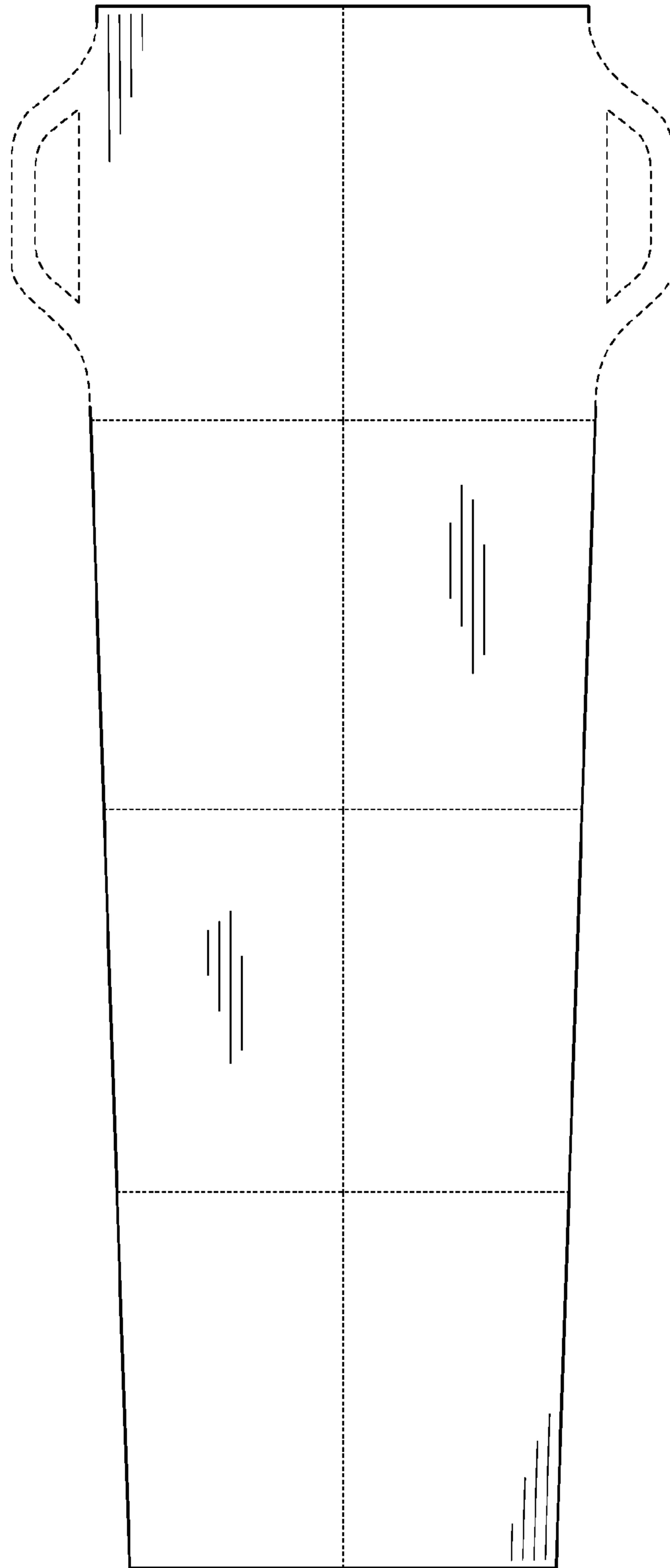


FIG. 5

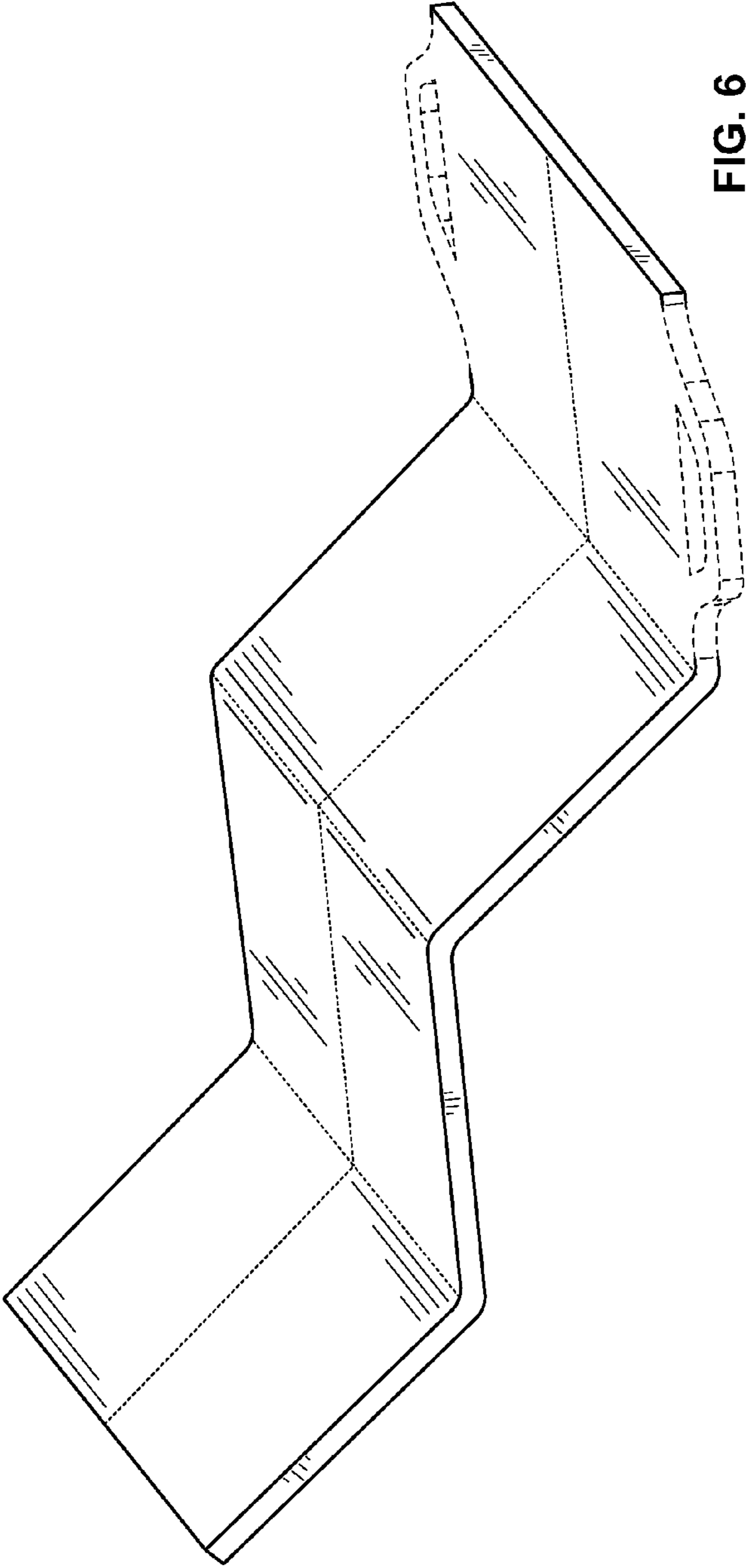


FIG. 6

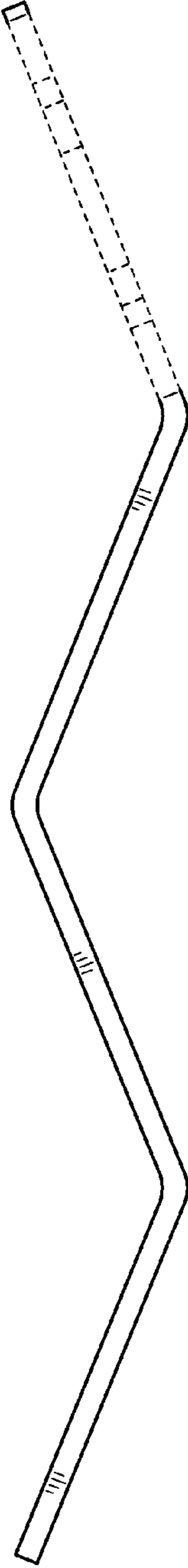


FIG. 7

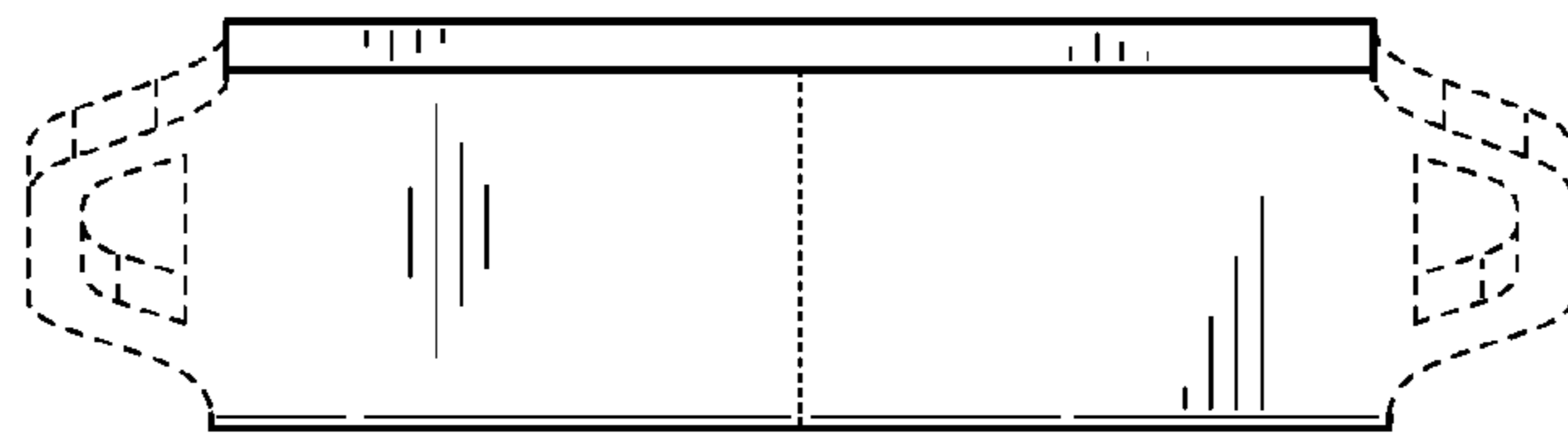


FIG. 8

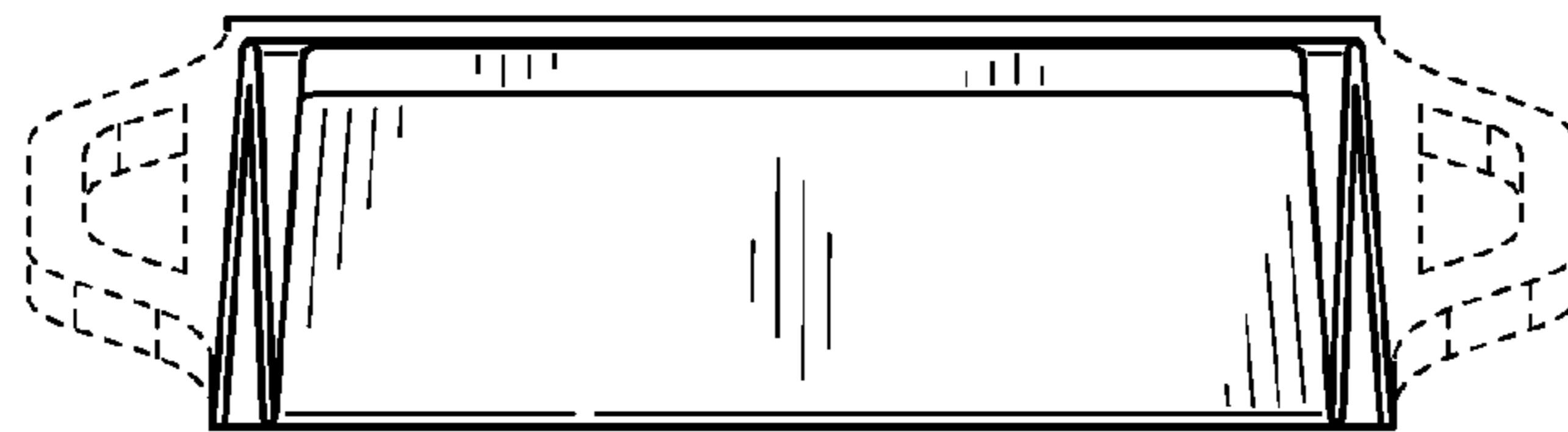


FIG. 9

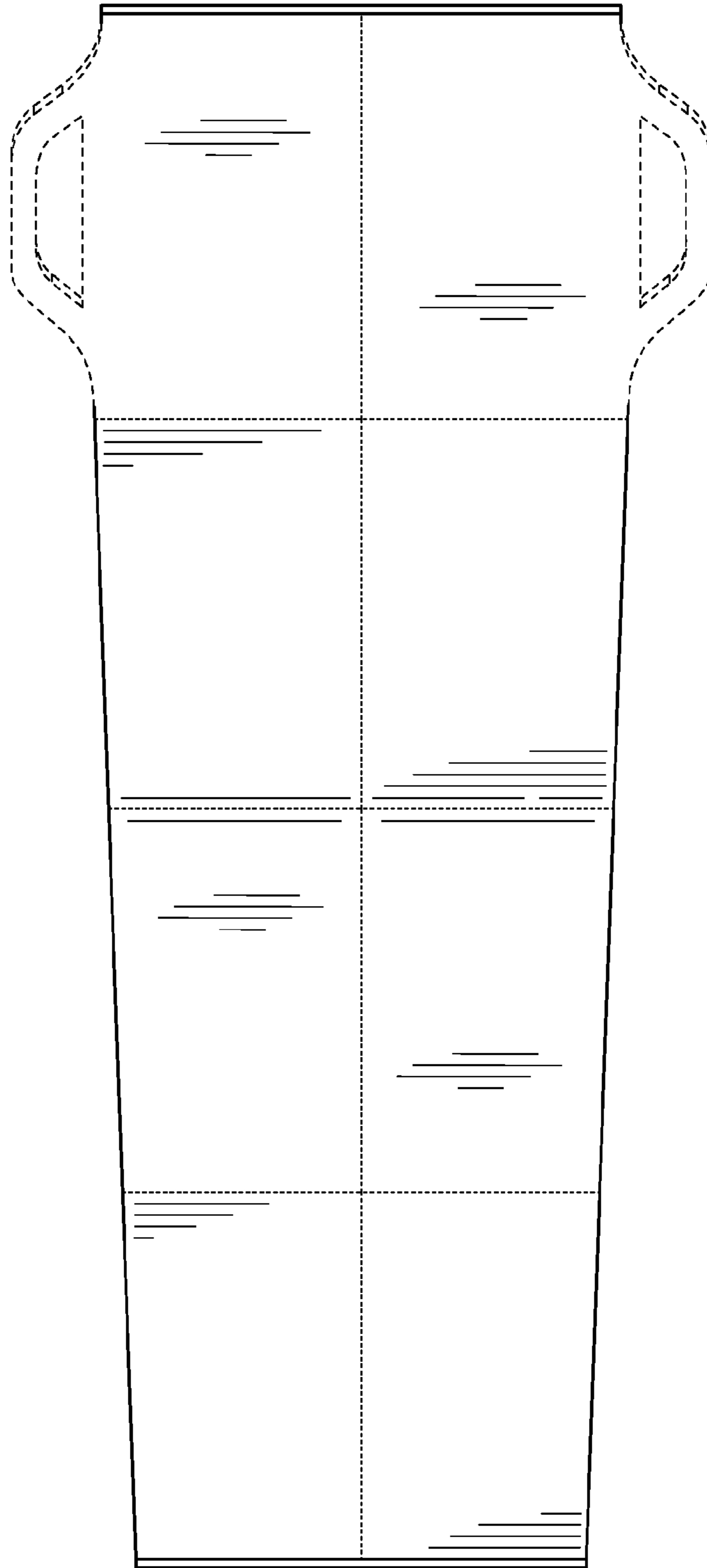


FIG. 10

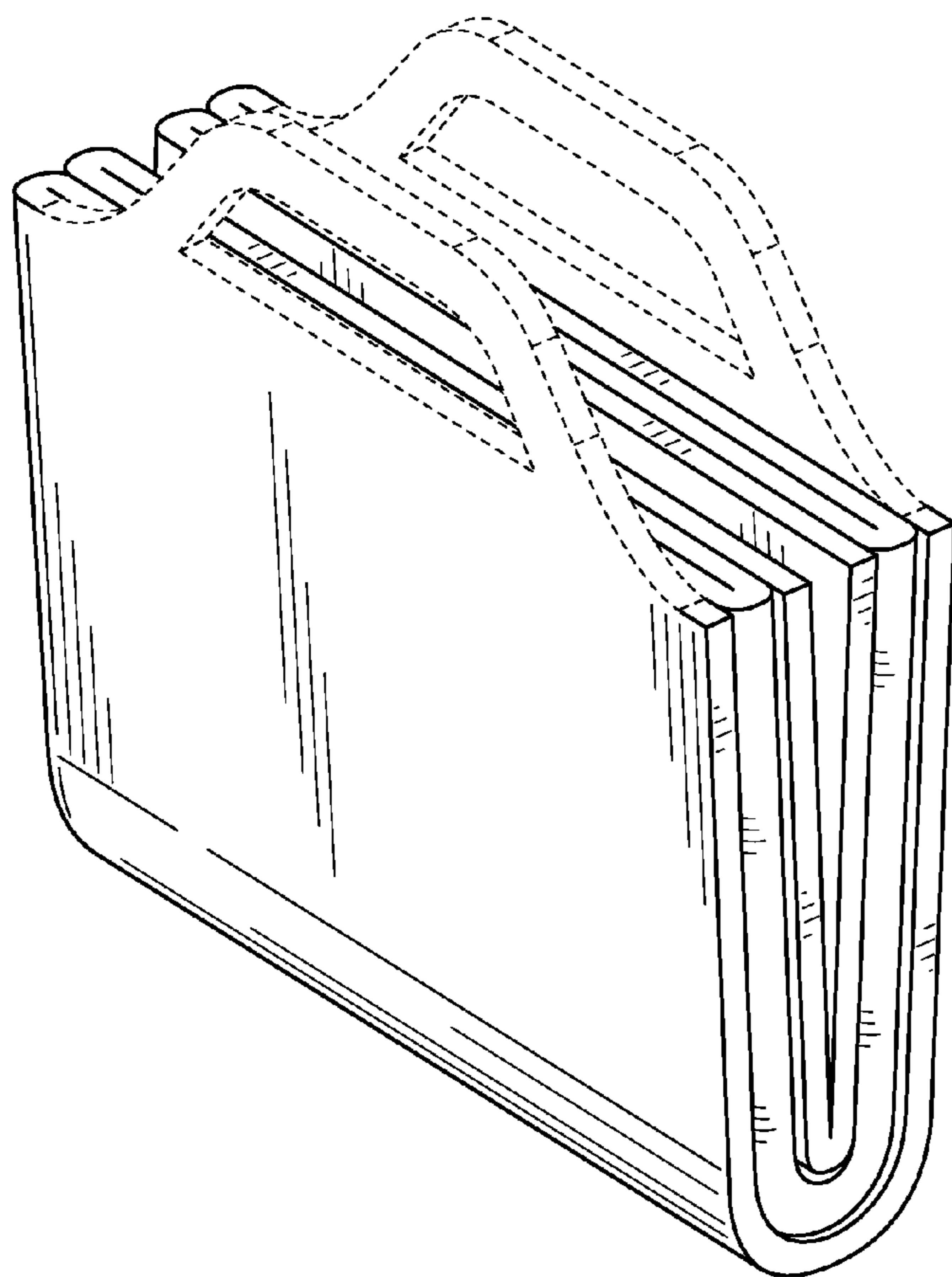


FIG. 11

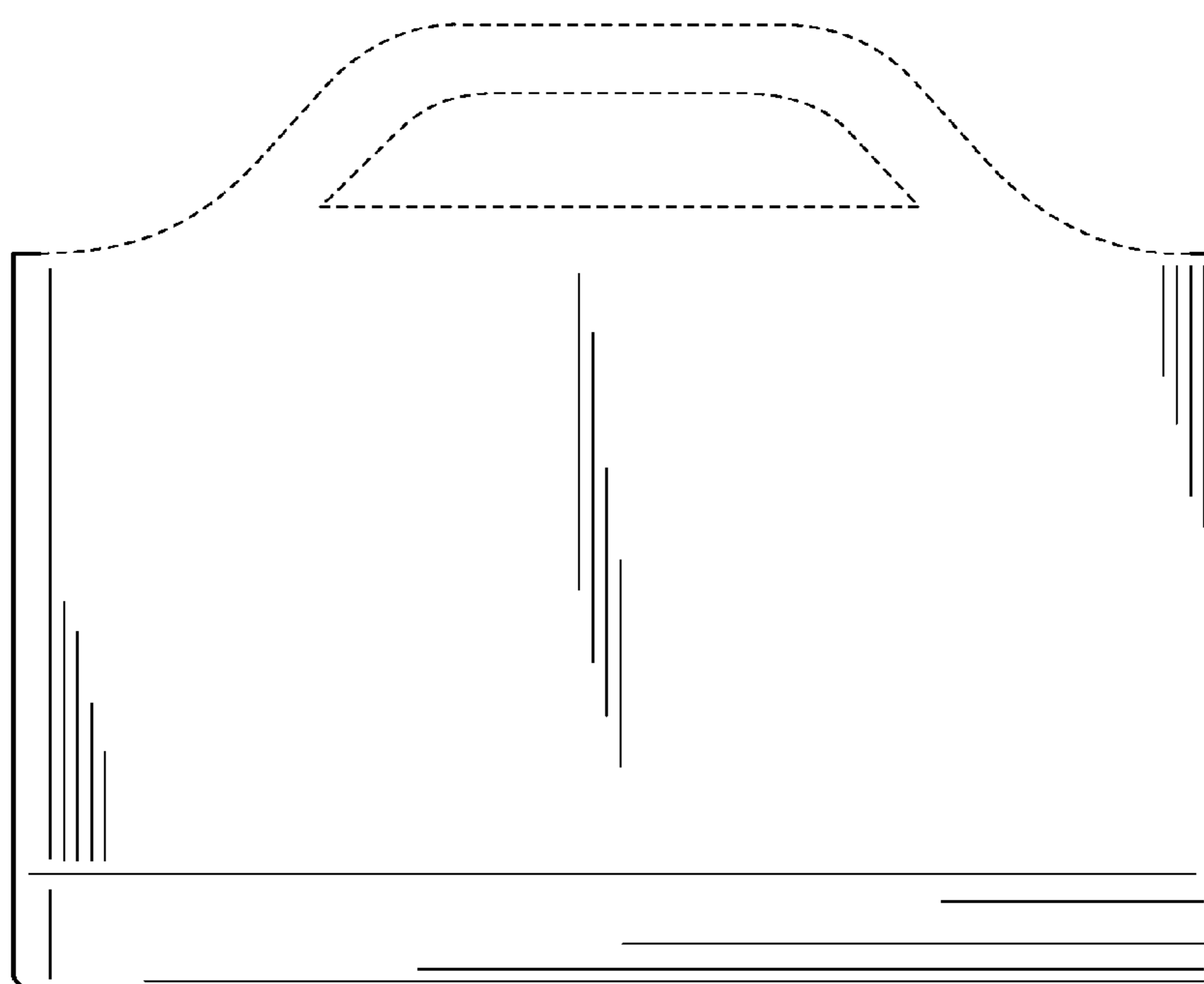


FIG. 12

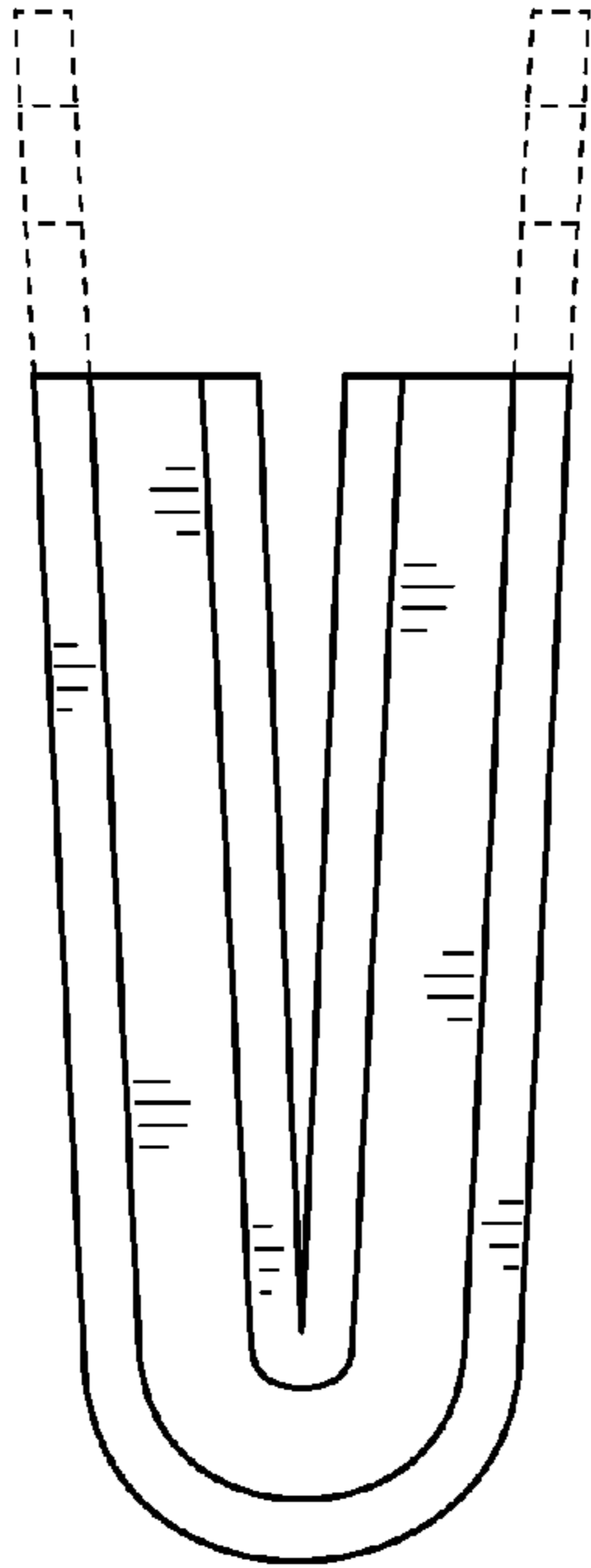


FIG. 13

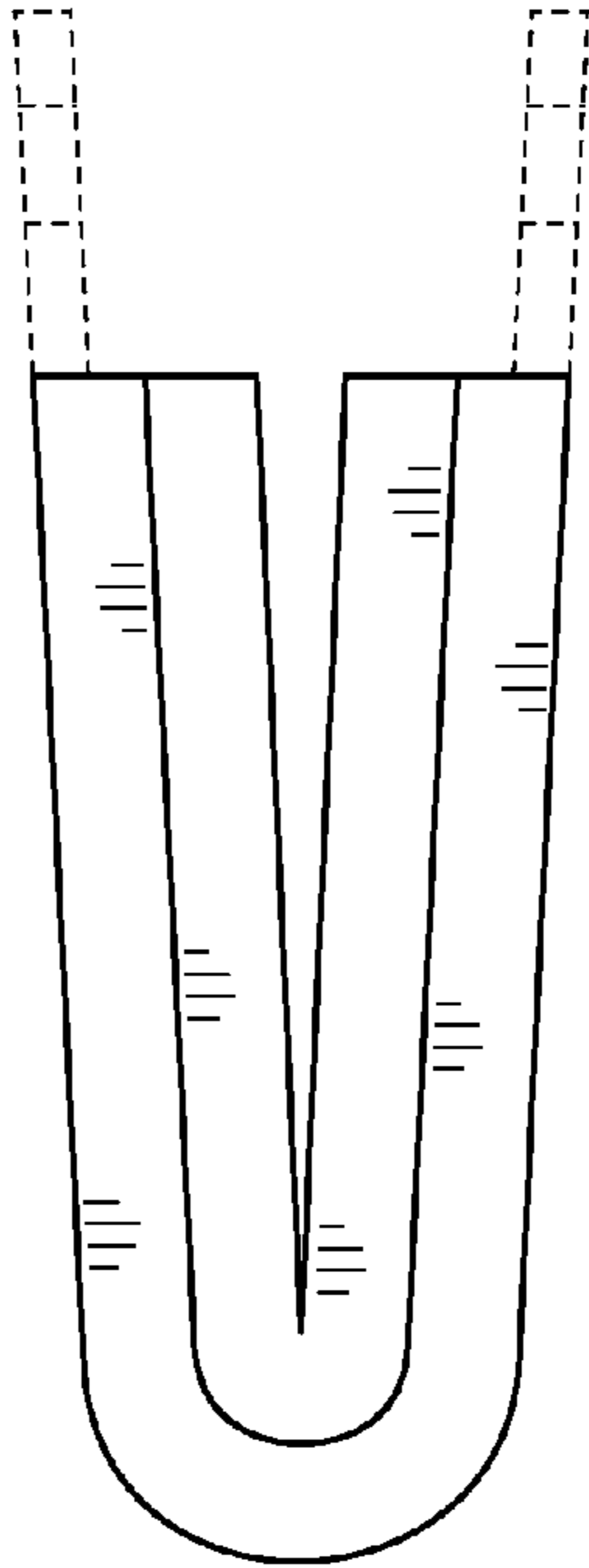


FIG. 14

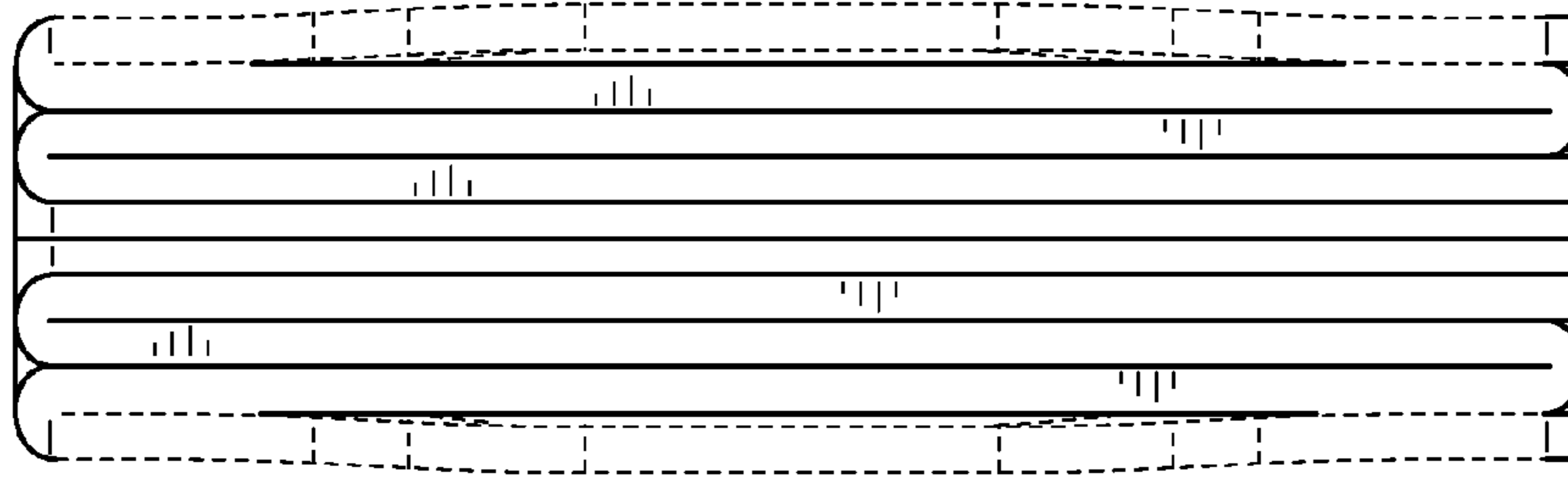


FIG. 15

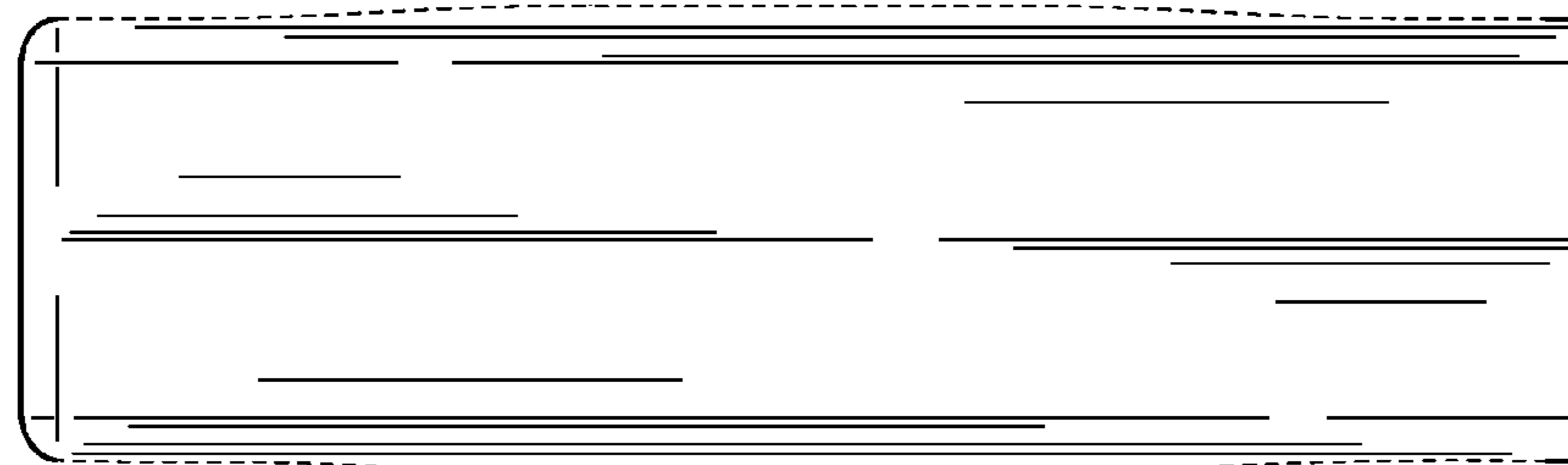


FIG. 16

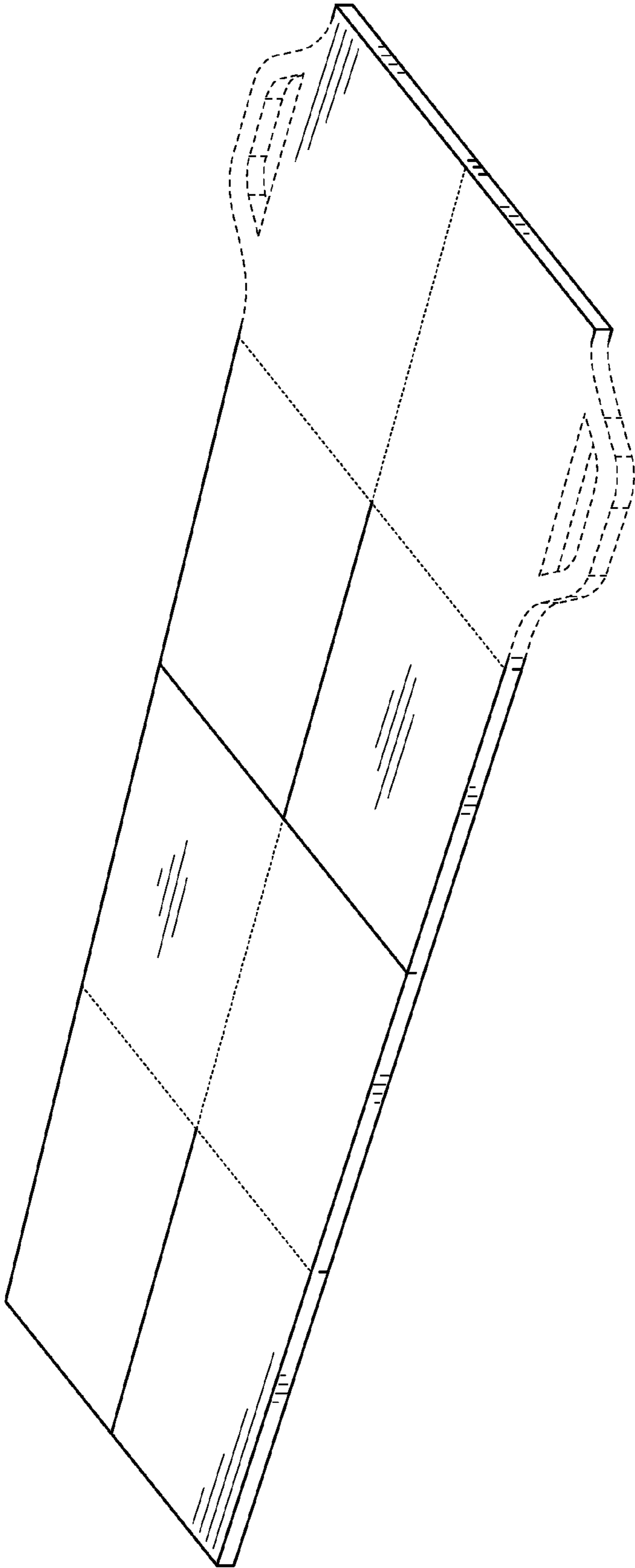


FIG. 17

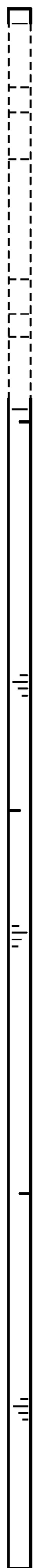


FIG. 18



FIG. 19



FIG. 20

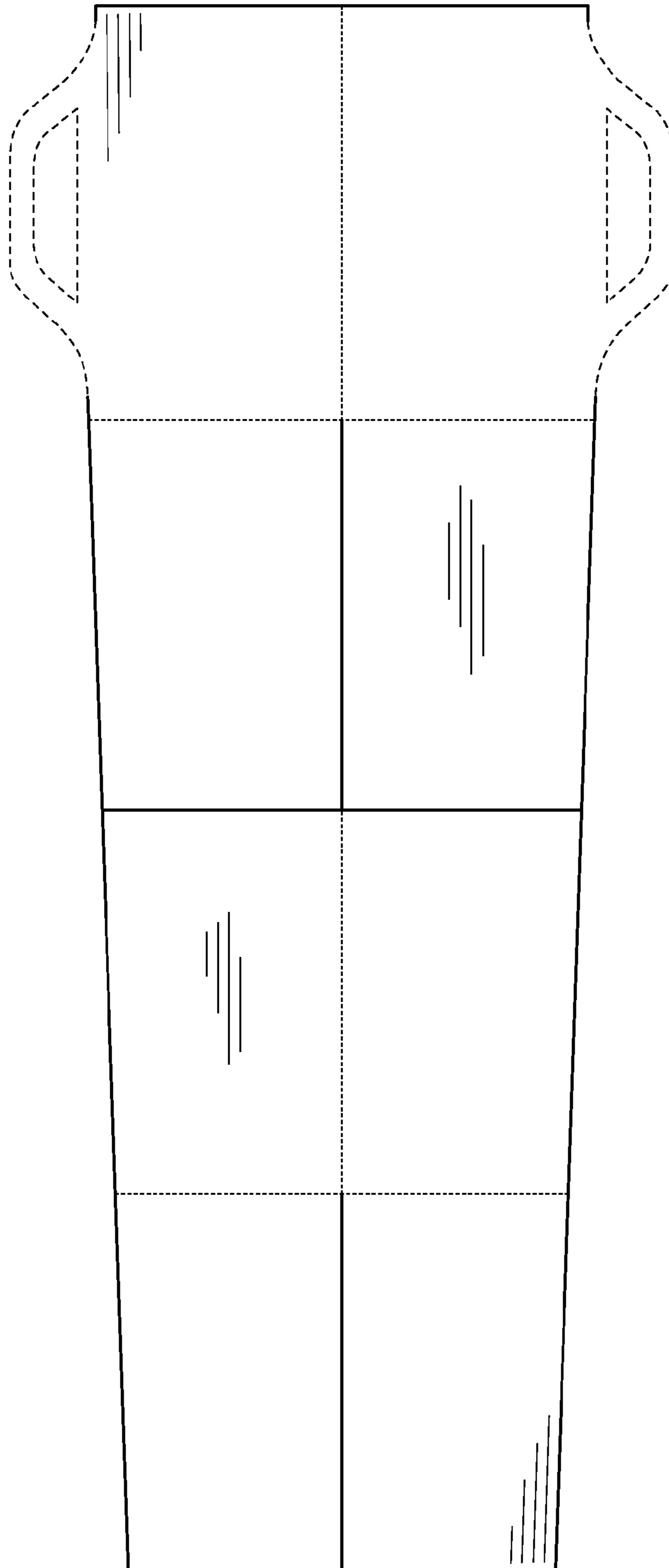


FIG. 21

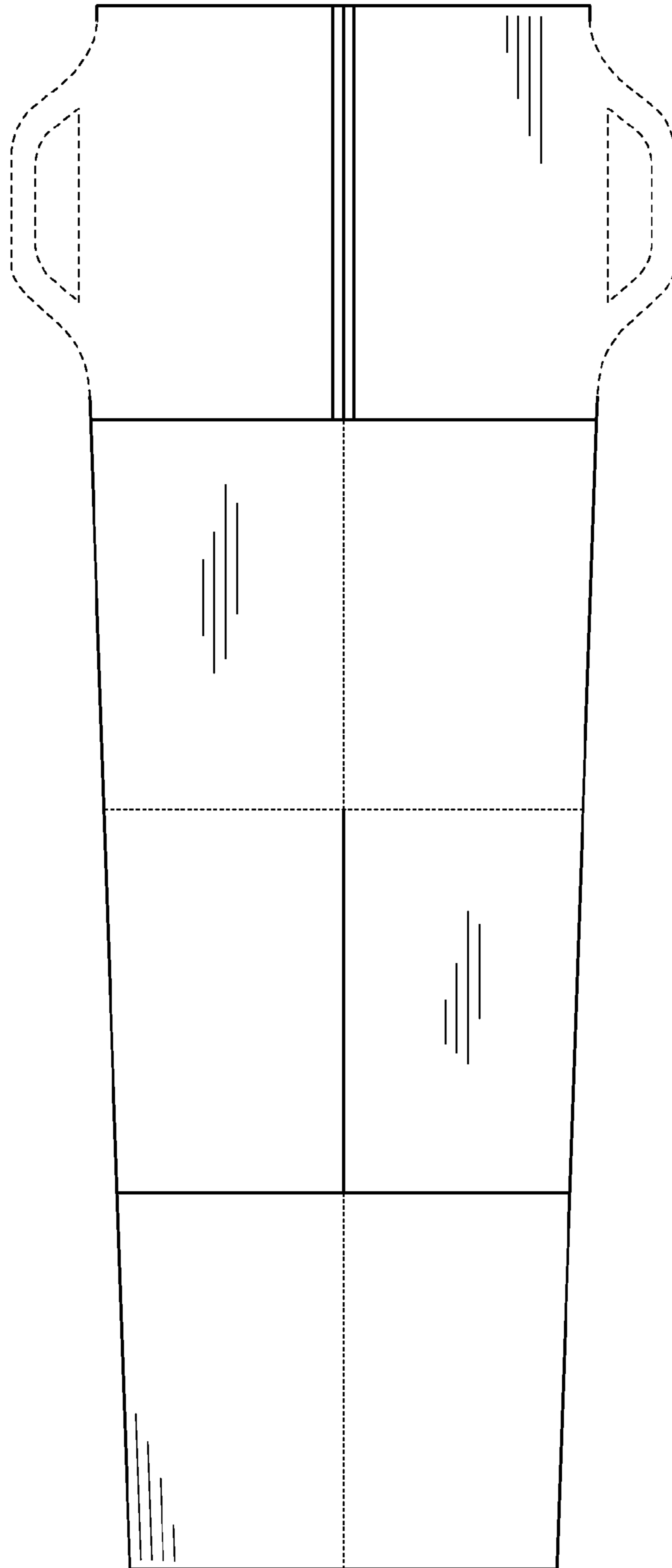


FIG. 22

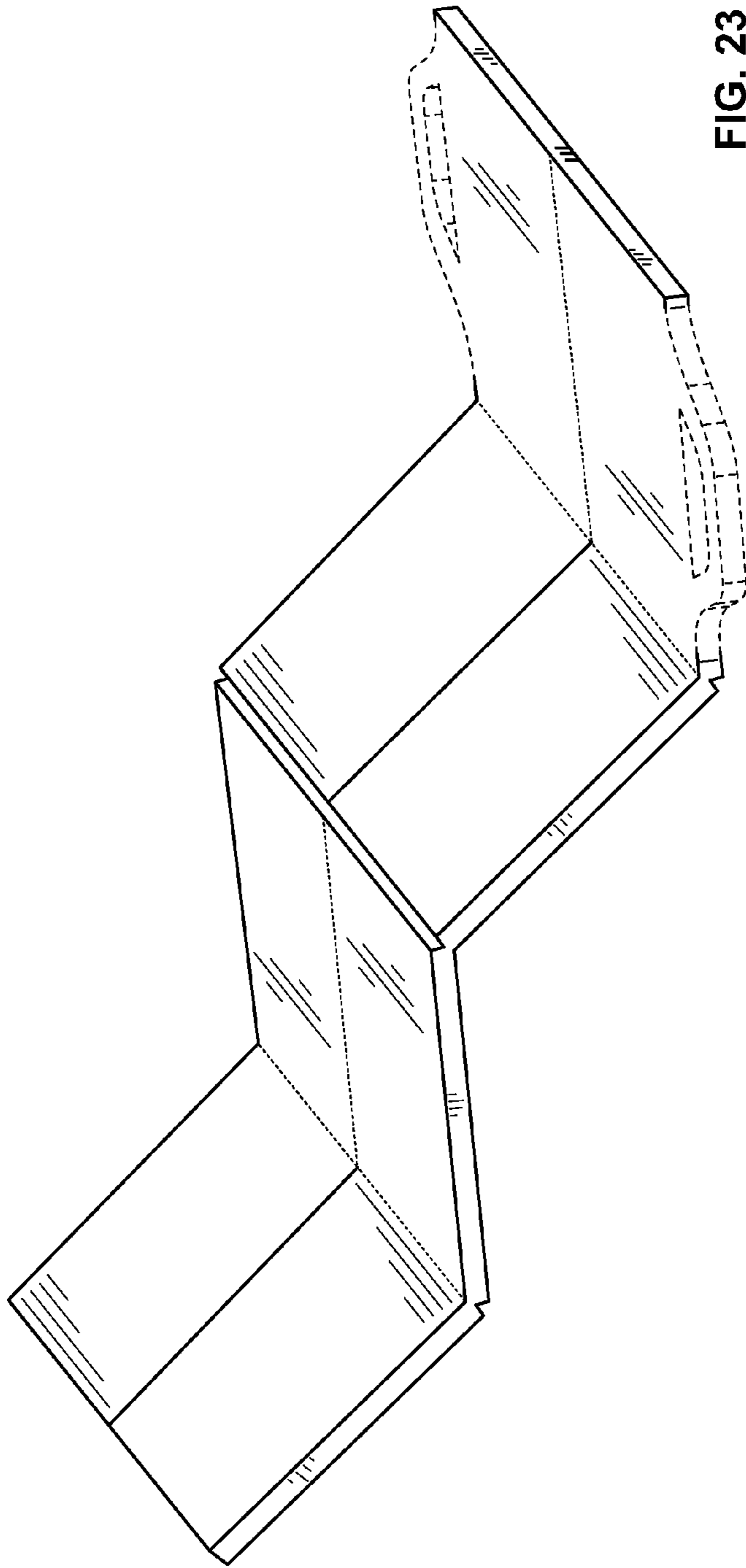


FIG. 23

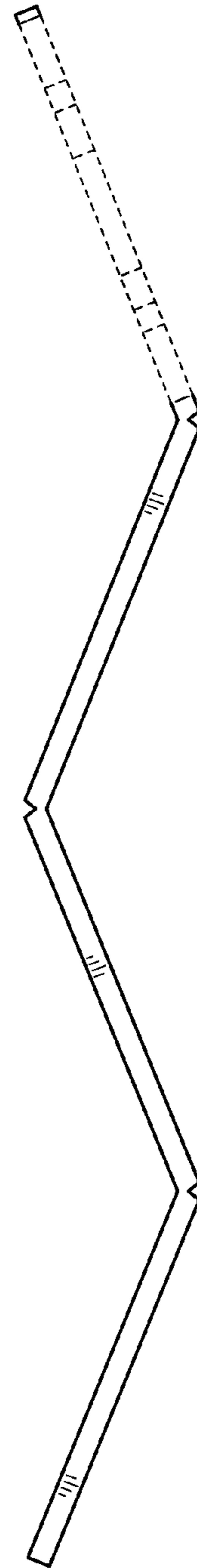


FIG. 24

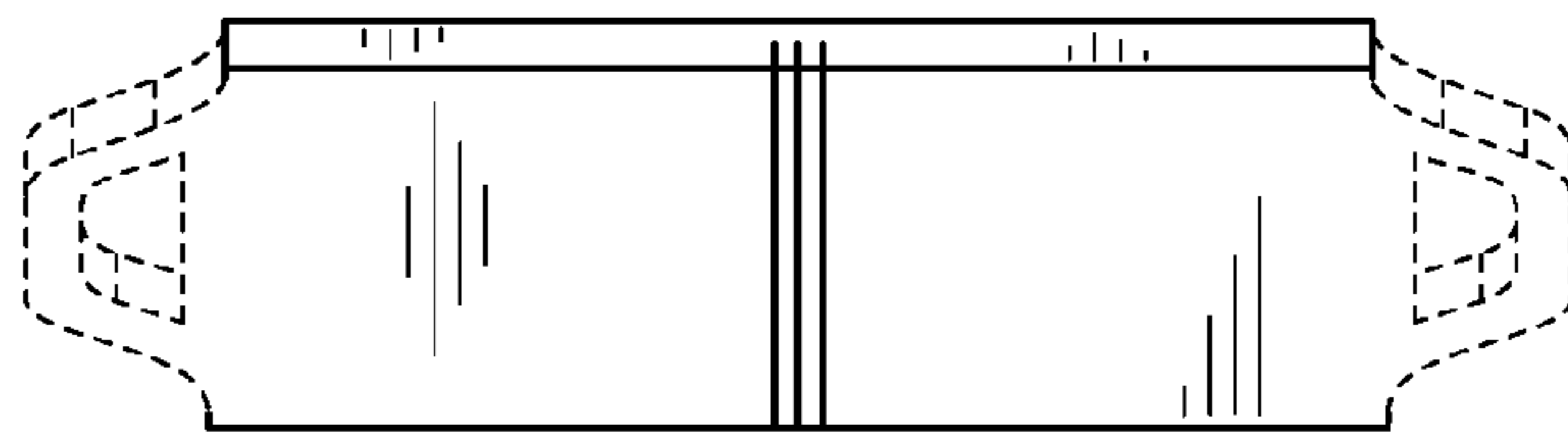


FIG. 25

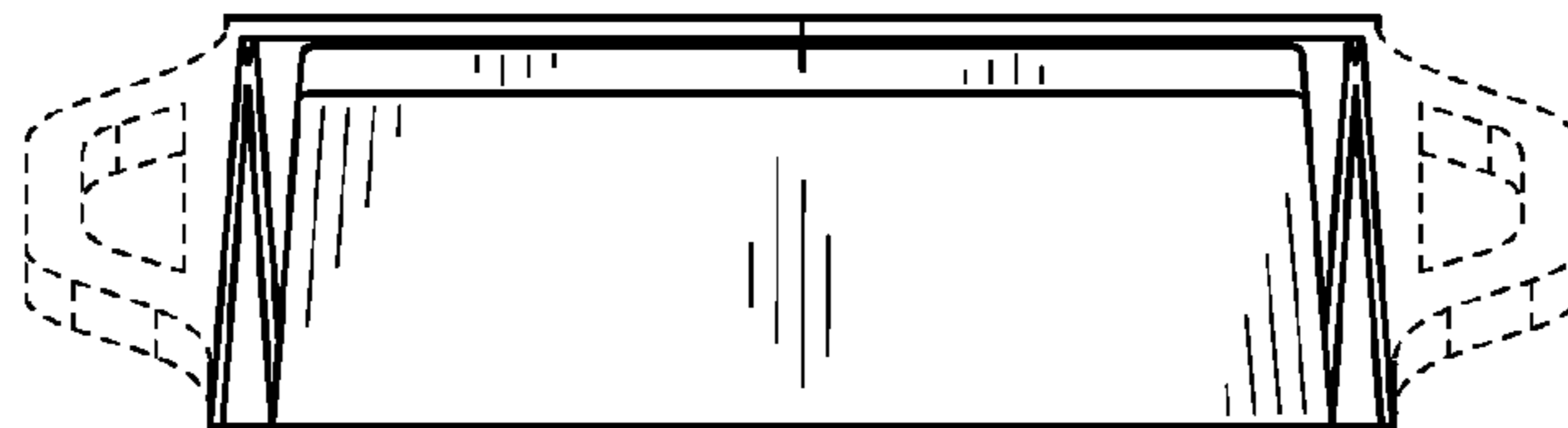


FIG. 26

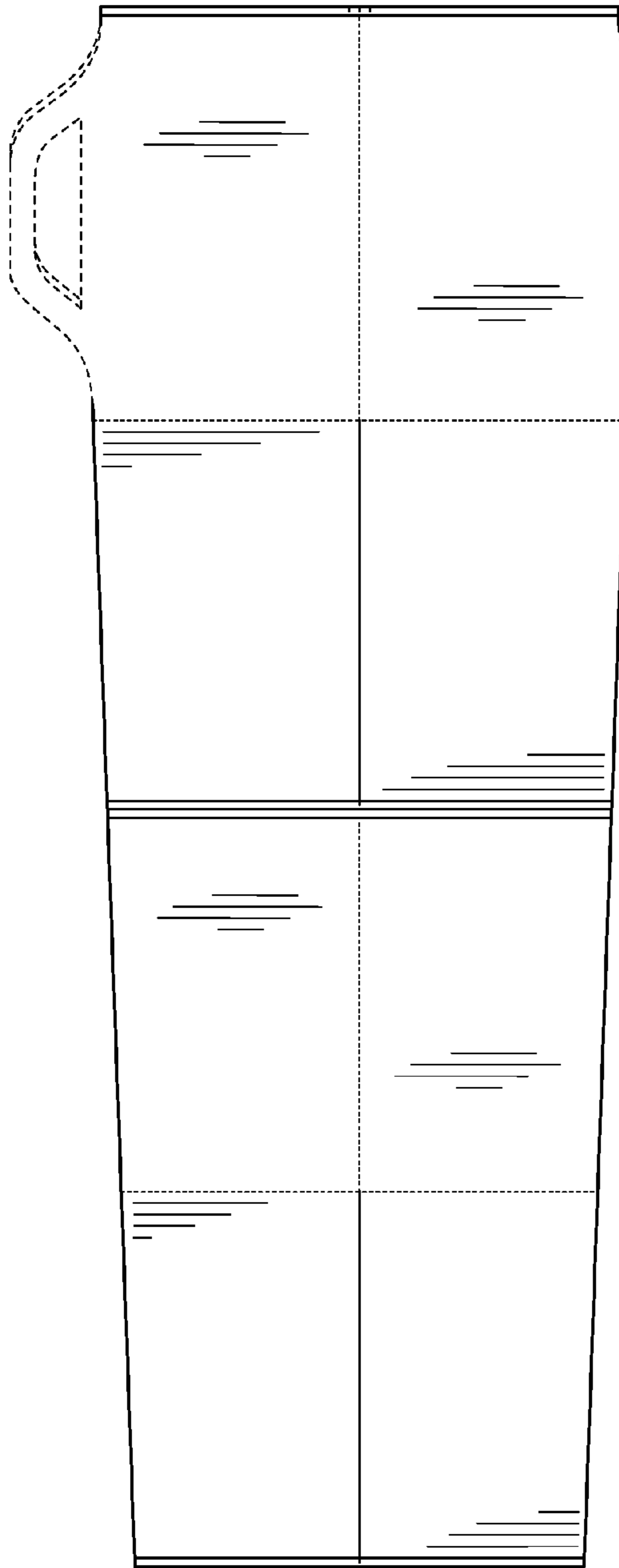


FIG. 27

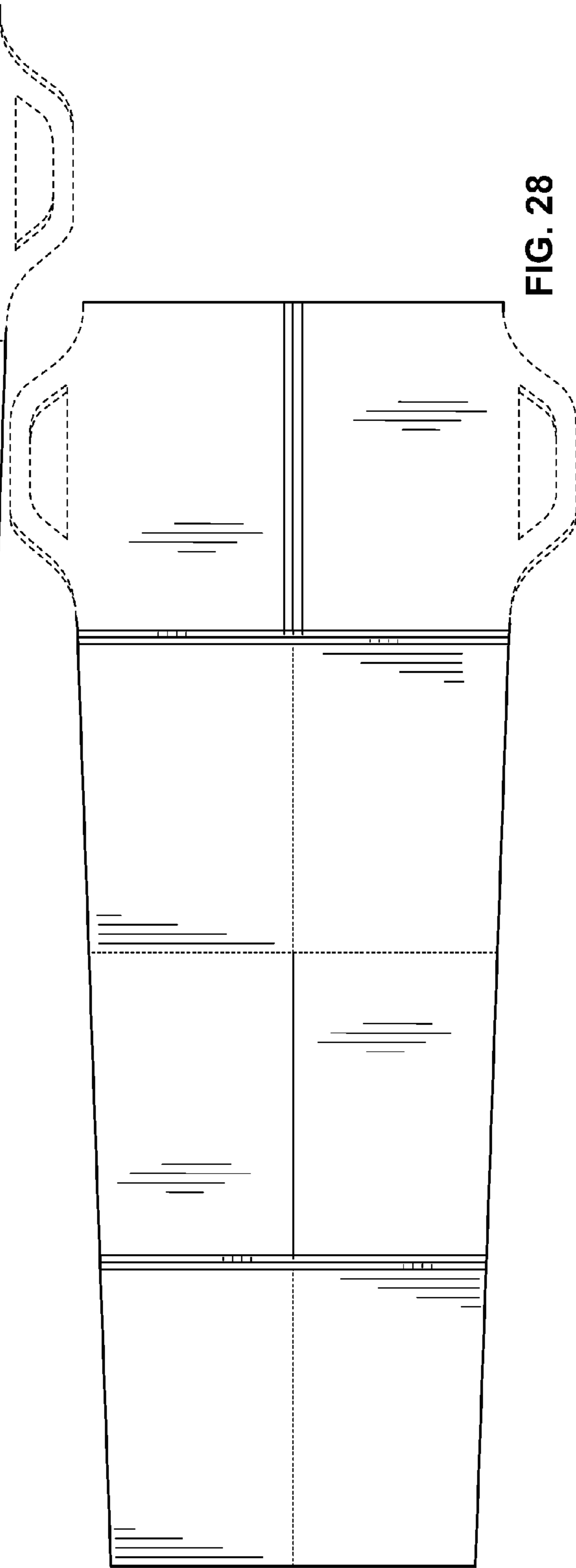


FIG. 28

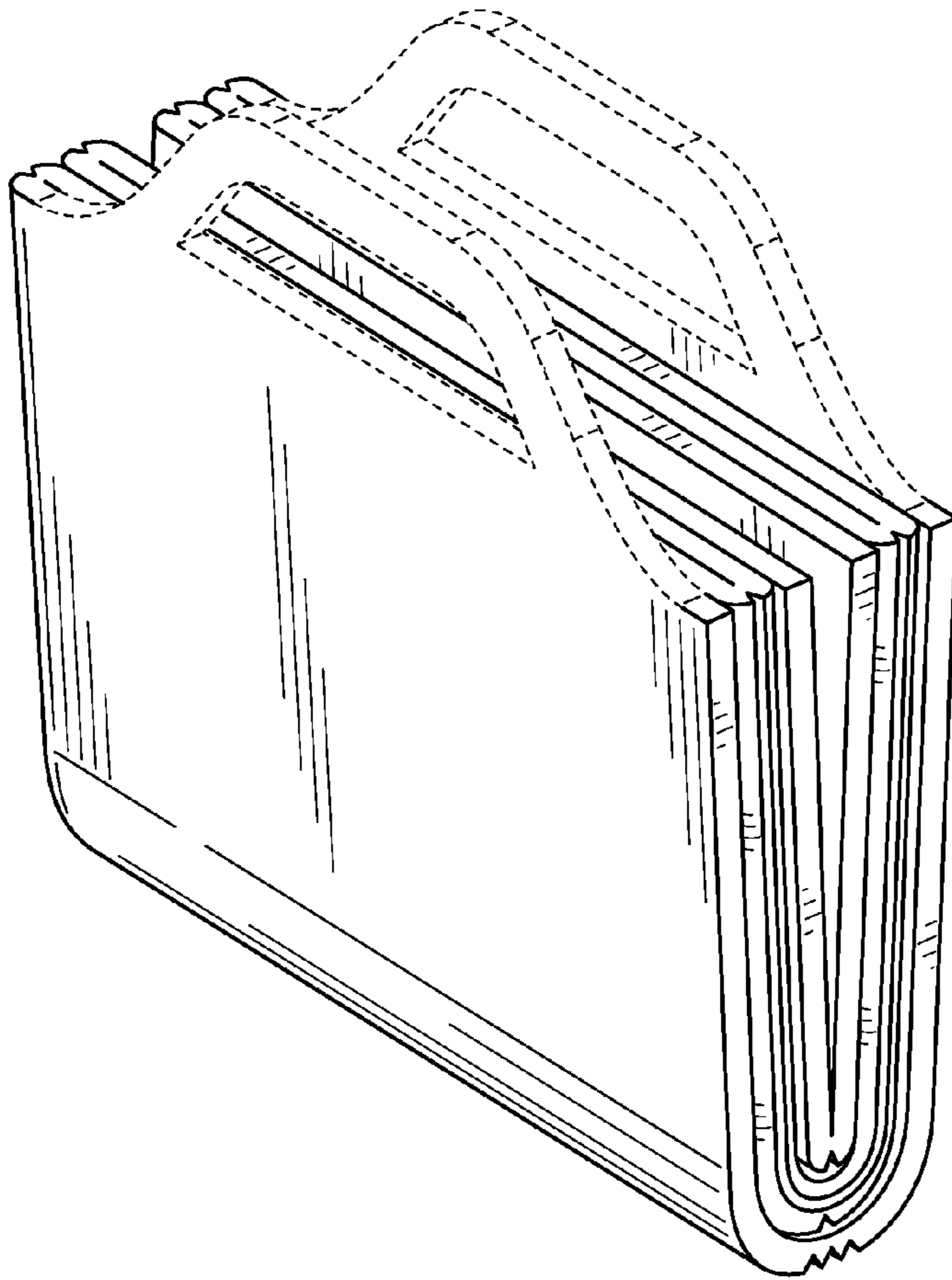


FIG. 29

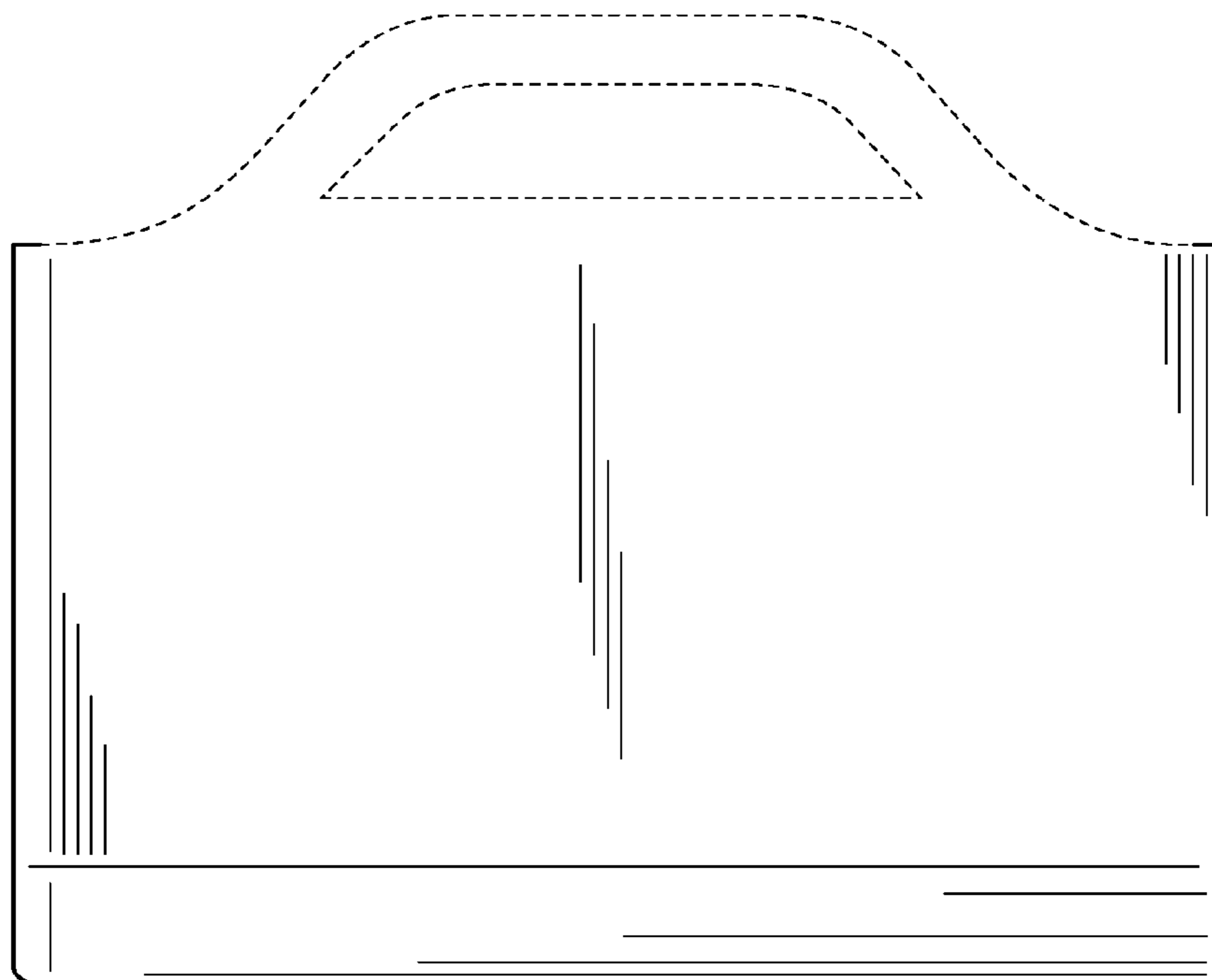


FIG. 30

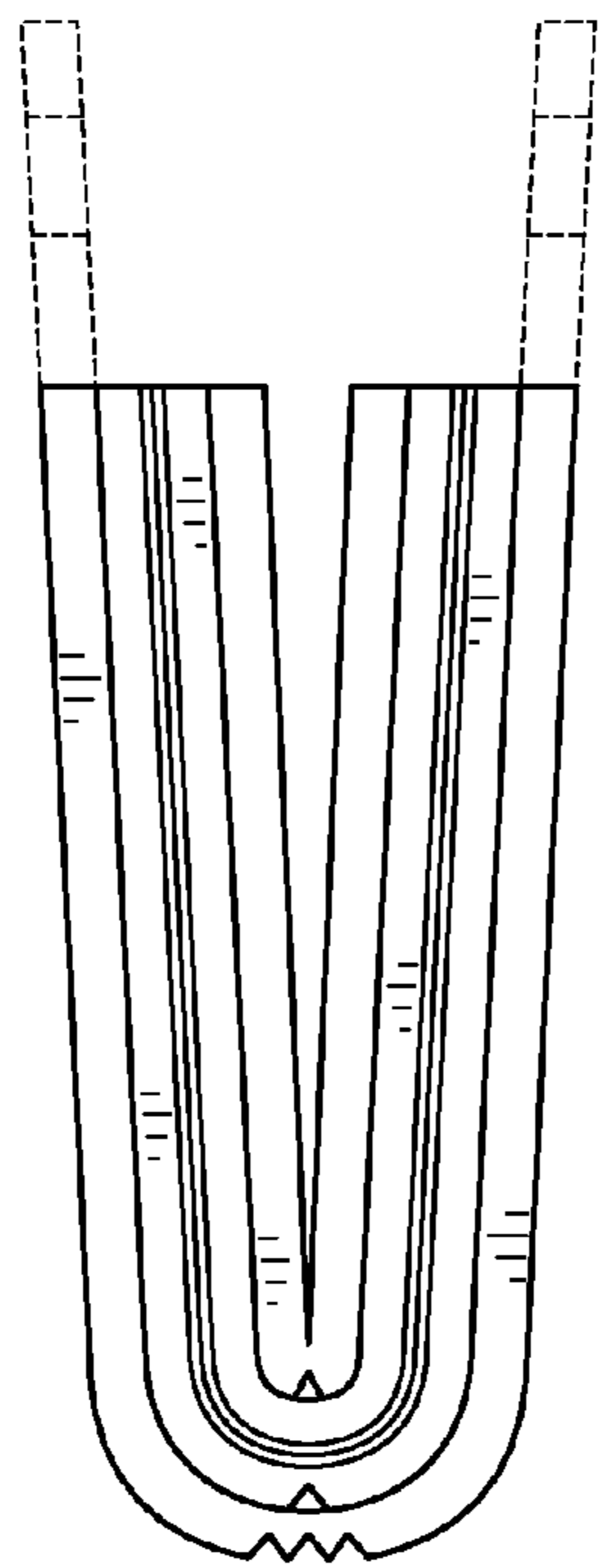


FIG. 31

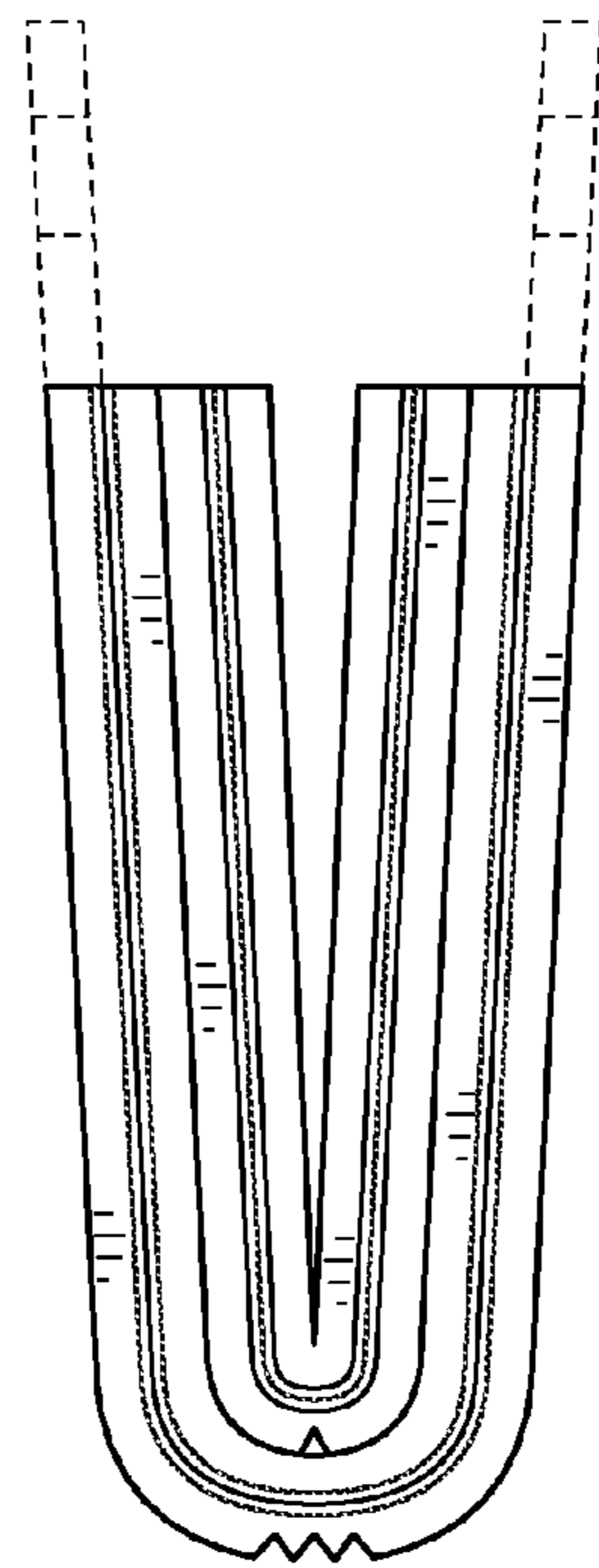


FIG. 32

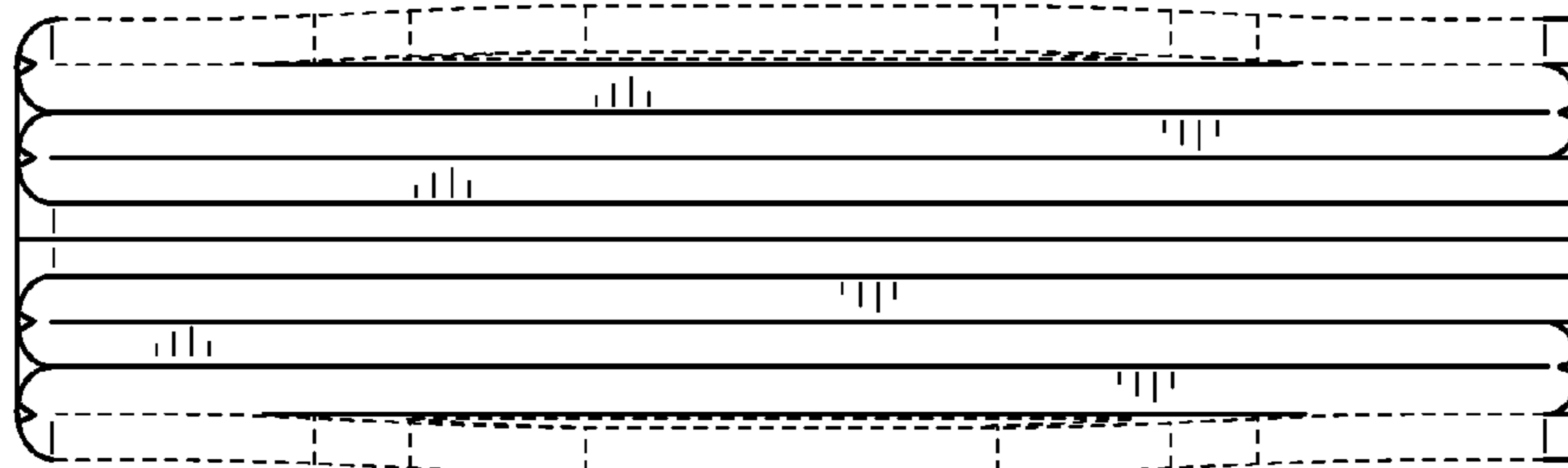


FIG. 33

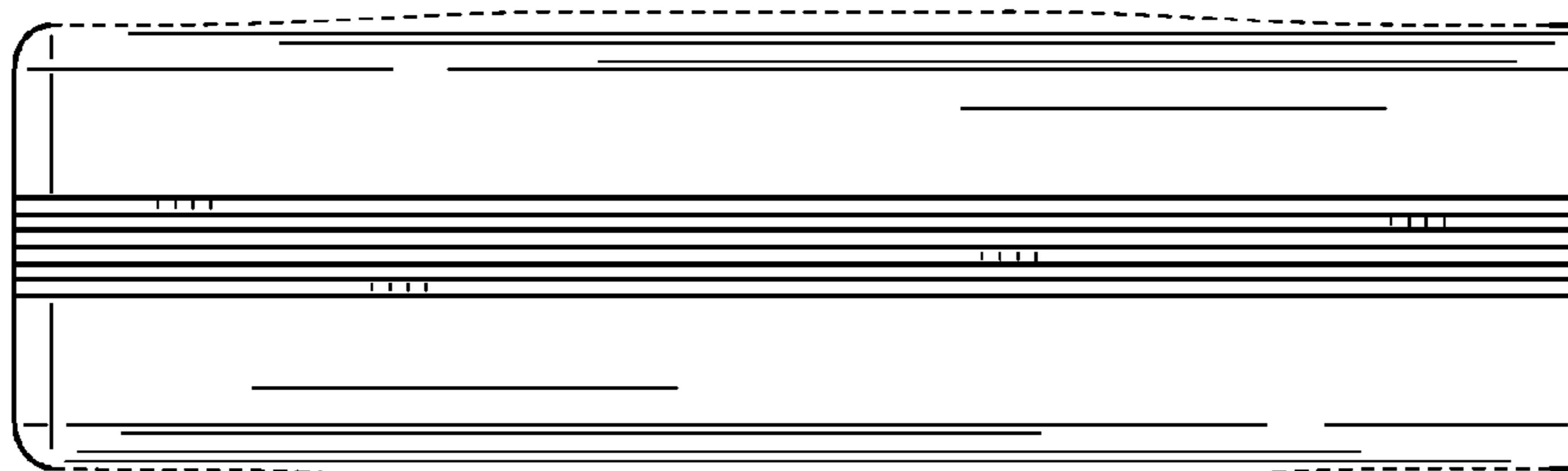


FIG. 34