



US00D674221S

(12) **United States Design Patent**  
**Kim**

(10) **Patent No.:** **US D674,221 S**  
(45) **Date of Patent:** **\*\* Jan. 15, 2013**

- (54) **SHOWCASE FRAME EXTRUSION**
- (75) Inventor: **Deok-Rae Kim**, Goyang-si (KR)
- (73) Assignee: **Seidae Industrial Co., Ltd.**, Goyang-Si (KR)
- (\*\*) Term: **14 Years**
- (21) Appl. No.: **29/426,957**
- (22) Filed: **Jul. 12, 2012**
- (30) **Foreign Application Priority Data**

Jun. 7, 2012 (KR) ..... 30-2012-0027993

- (51) **LOC (9) Cl.** ..... **06-02**
- (52) **U.S. Cl.** ..... **D6/509**
- (58) **Field of Classification Search** ..... D6/509;  
D25/52, 60, 119, 122-125; D26/138; 49/501;  
52/287.1, 716.1, 716.8, 718.04  
See application file for complete search history.

(56) **References Cited**

**U.S. PATENT DOCUMENTS**

|              |         |                 |       |         |
|--------------|---------|-----------------|-------|---------|
| D334,070 S * | 3/1993  | Cole            | ..... | D25/124 |
| D338,078 S * | 8/1993  | Moss et al.     | ..... | D25/124 |
| D343,005 S * | 1/1994  | Moss et al.     | ..... | D25/119 |
| D343,239 S * | 1/1994  | Moss et al.     | ..... | D25/124 |
| D358,670 S * | 5/1995  | Franson         | ..... | D25/124 |
| D376,019 S * | 11/1996 | DiGiorgio       | ..... | D25/124 |
| D376,210 S * | 12/1996 | DiGiorgio       | ..... | D25/124 |
| D376,211 S * | 12/1996 | DiGiorgio       | ..... | D25/124 |
| D384,169 S * | 9/1997  | Leonelli        | ..... | D25/119 |
| D398,708 S * | 9/1998  | Opielski et al. | ..... | D25/119 |
| D403,085 S * | 12/1998 | Current         | ..... | D25/123 |
| D406,907 S * | 3/1999  | DiGiorgio       | ..... | D25/124 |
| D424,712 S * | 5/2000  | Siudzinski      | ..... | D25/124 |
| D441,103 S * | 4/2001  | Habeck et al.   | ..... | D25/124 |
| D452,743 S * | 1/2002  | Edger           | ..... | D25/124 |
| D452,916 S * | 1/2002  | Edger           | ..... | D25/124 |
| D453,844 S * | 2/2002  | Scalzott        | ..... | D25/124 |
| D457,659 S * | 5/2002  | Marshall        | ..... | D25/124 |
| D461,915 S * | 8/2002  | Ballard et al.  | ..... | D25/124 |

|              |         |                         |       |         |
|--------------|---------|-------------------------|-------|---------|
| D462,787 S * | 9/2002  | Scalzott                | ..... | D25/119 |
| D487,934 S * | 3/2004  | Habeck et al.           | ..... | D25/124 |
| D487,935 S * | 3/2004  | Habeck et al.           | ..... | D25/124 |
| D488,570 S * | 4/2004  | Houssian                | ..... | D25/136 |
| D490,260 S * | 5/2004  | Bowen                   | ..... | D6/511  |
| D490,912 S * | 6/2004  | Habeck et al.           | ..... | D25/124 |
| D493,540 S * | 7/2004  | Wickland                | ..... | D25/124 |
| D529,298 S * | 10/2006 | Houssian                | ..... | D6/300  |
| D547,977 S * | 8/2007  | Torrente Bonatti et al. | ...   | D6/491  |
| D550,484 S * | 9/2007  | Bonatti et al.          | ..... | D6/509  |
| D584,425 S * | 1/2009  | Chaney et al.           | ..... | D25/124 |
| D595,069 S * | 6/2009  | Berry et al.            | ..... | D6/491  |
| D597,742 S * | 8/2009  | Skinner                 | ..... | D6/300  |
| D604,978 S * | 12/2009 | Shaha et al.            | ..... | D6/553  |
| D648,448 S * | 11/2011 | Apgood et al.           | ..... | D25/138 |
| D661,524 S * | 6/2012  | Watts                   | ..... | D6/509  |

\* cited by examiner

*Primary Examiner* — Kelley Donnelly

(74) *Attorney, Agent, or Firm* — Lexyoume IP Meister, PLLC.

(57) **CLAIM**

The design for a showcase frame extrusion, as shown and described.

**DESCRIPTION**

FIG. 1 is a top and right side perspective view of a showcase frame extrusion showing my new design;  
 FIG. 2 is a front elevational view thereof;  
 FIG. 3 is a rear elevational view thereof;  
 FIG. 4 is a left side elevational view thereof;  
 FIG. 5 is a right side elevational view thereof;  
 FIG. 6 is a top plan view thereof;  
 FIG. 7 is a bottom plan view thereof;  
 FIG. 8 is a bottom and left perspective view of the showcase frame extrusion shown of FIG. 1; and,  
 FIG. 9 is a front sectional view showcase frame extrusion shown in its position of use, taken along a line 6-6 of FIG. 6.  
 The broken lines are illustrative purpose only and form no part of the claimed design.

**1 Claim, 5 Drawing Sheets**

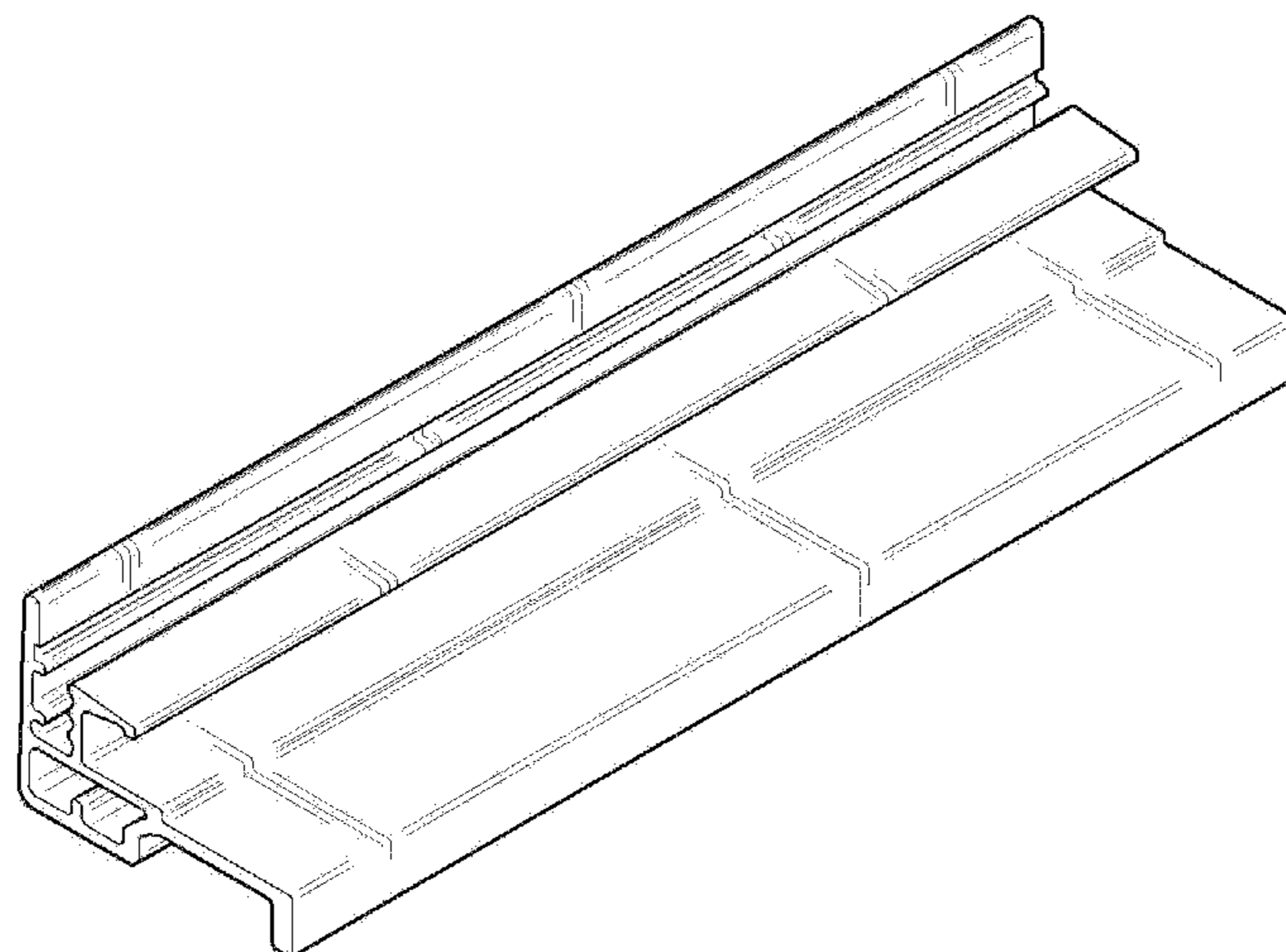


FIG. 1

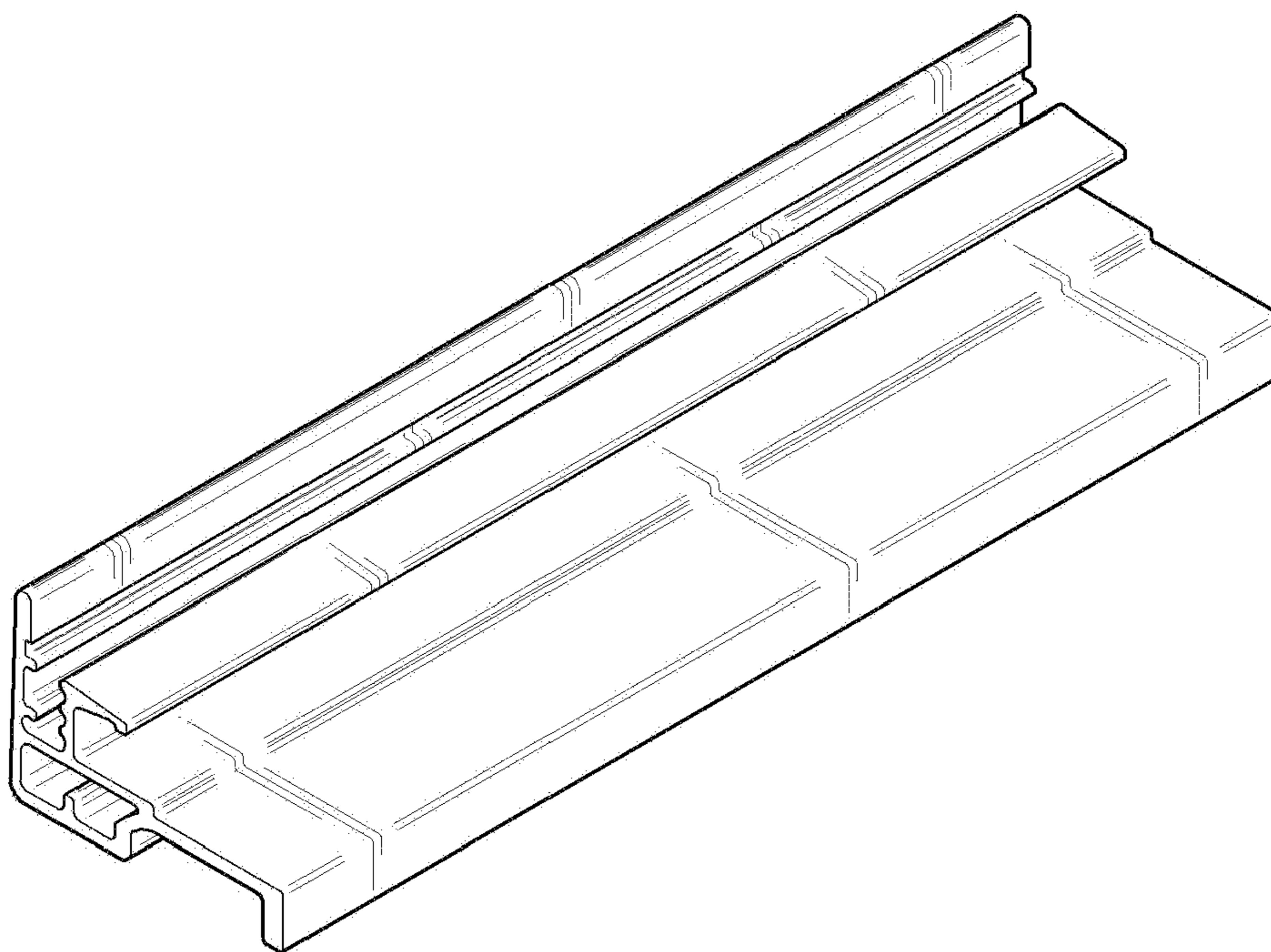


FIG. 2

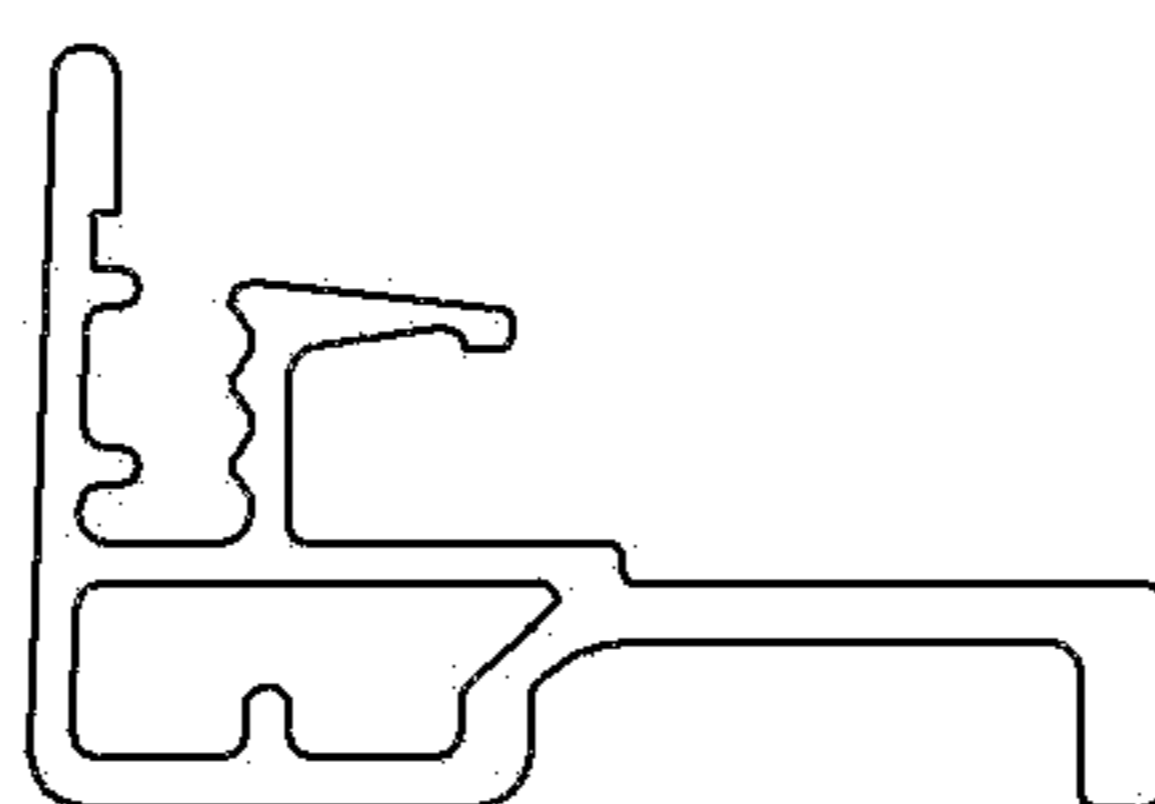


FIG. 3

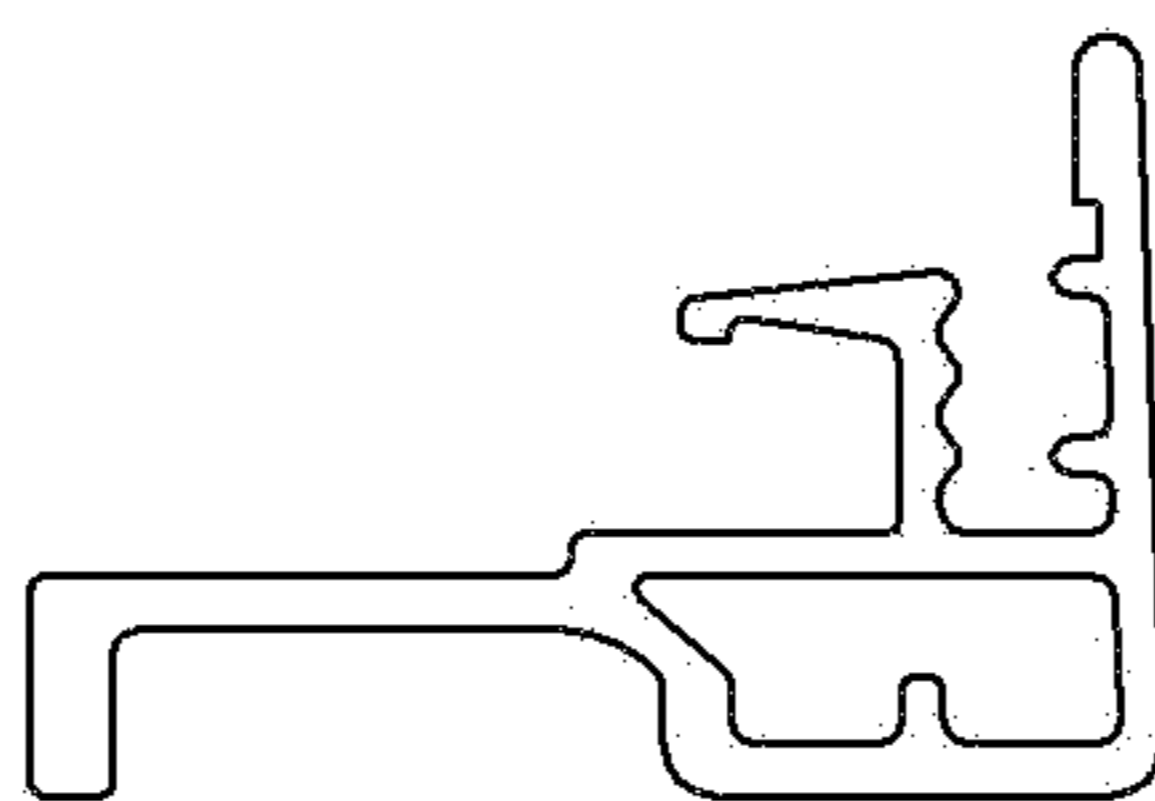


FIG. 4

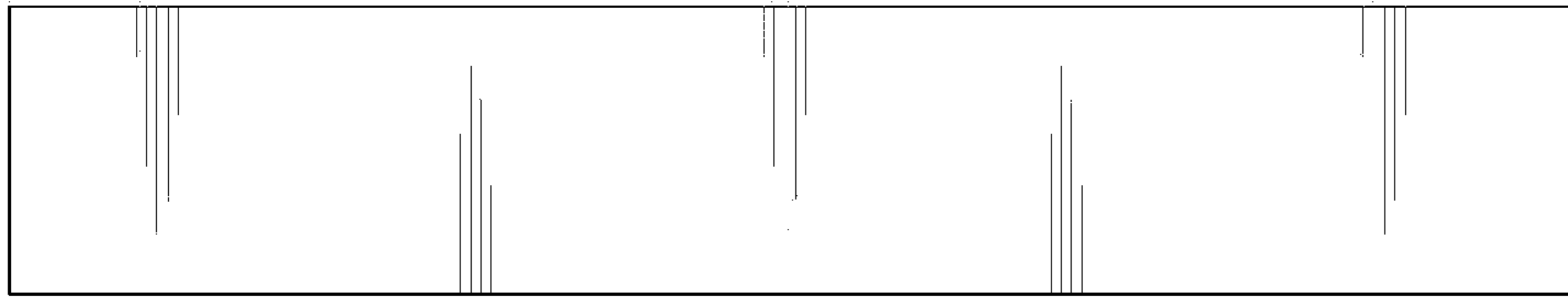


FIG. 5

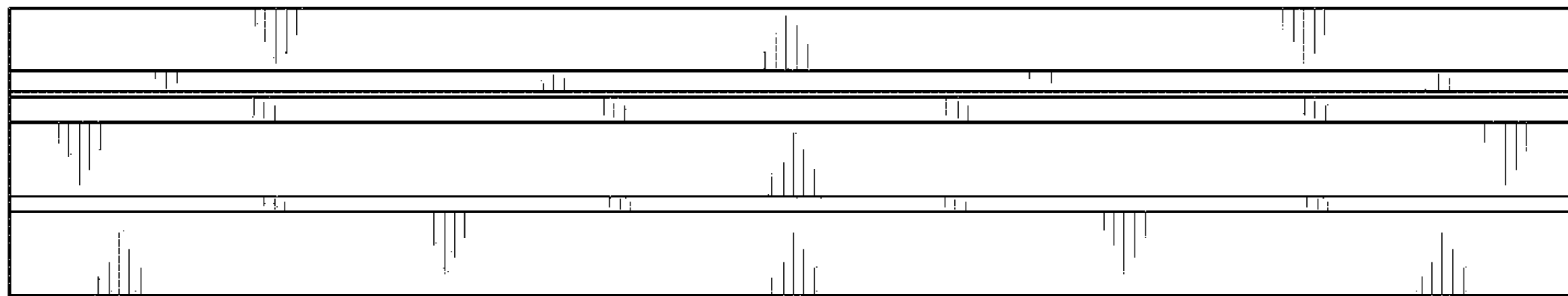


FIG. 6

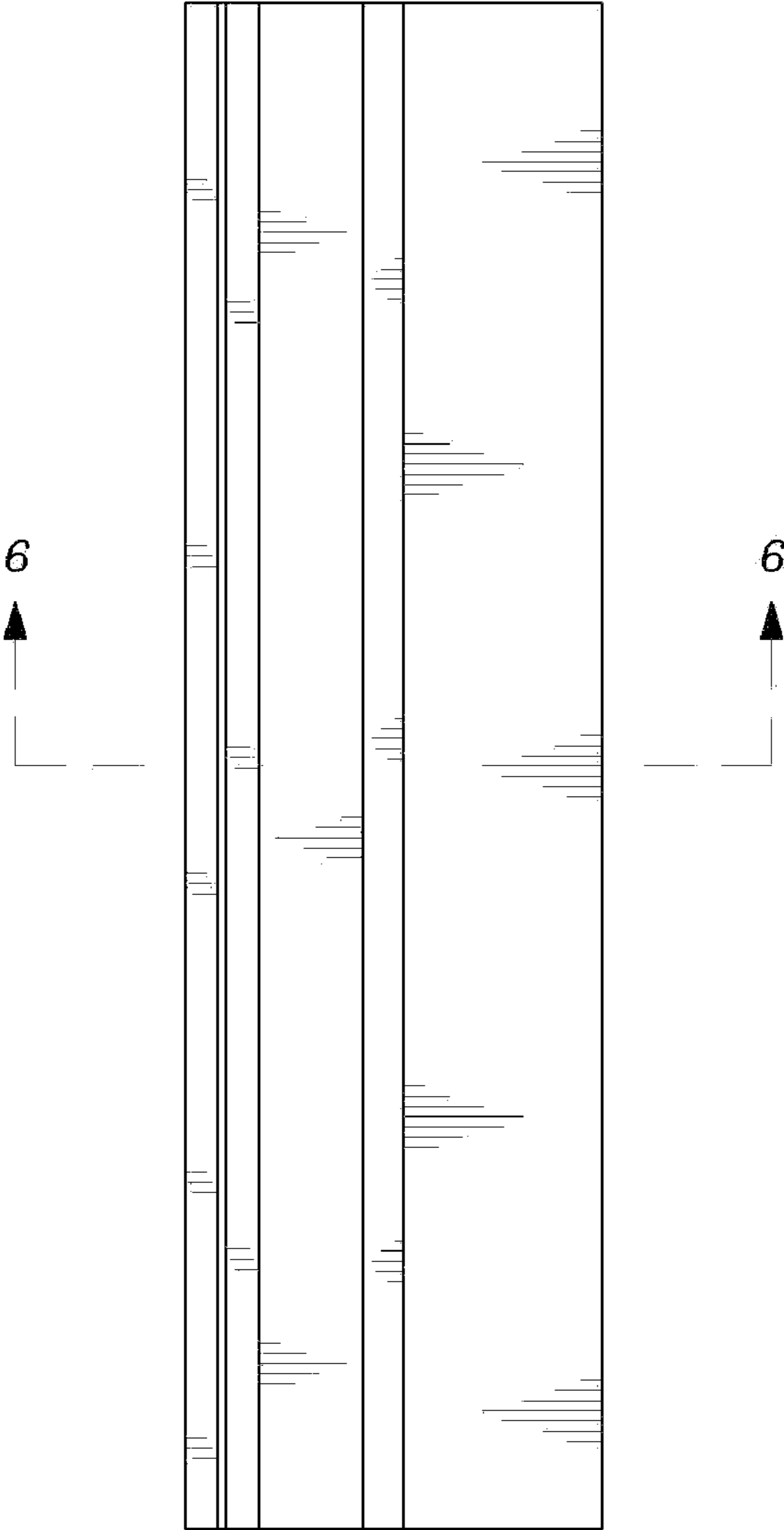


FIG. 7

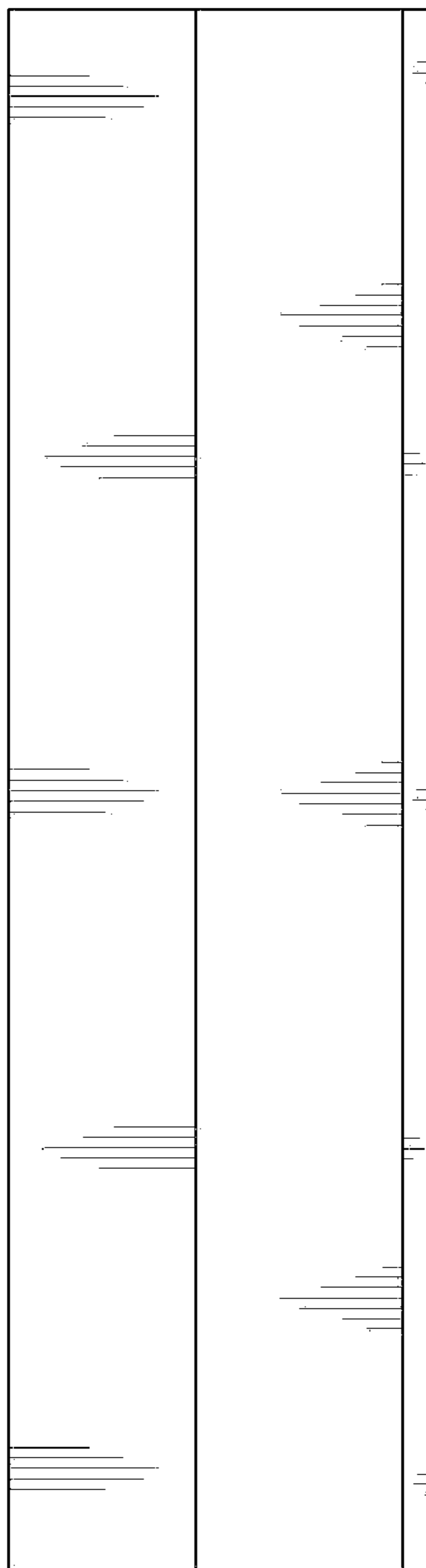


FIG. 8

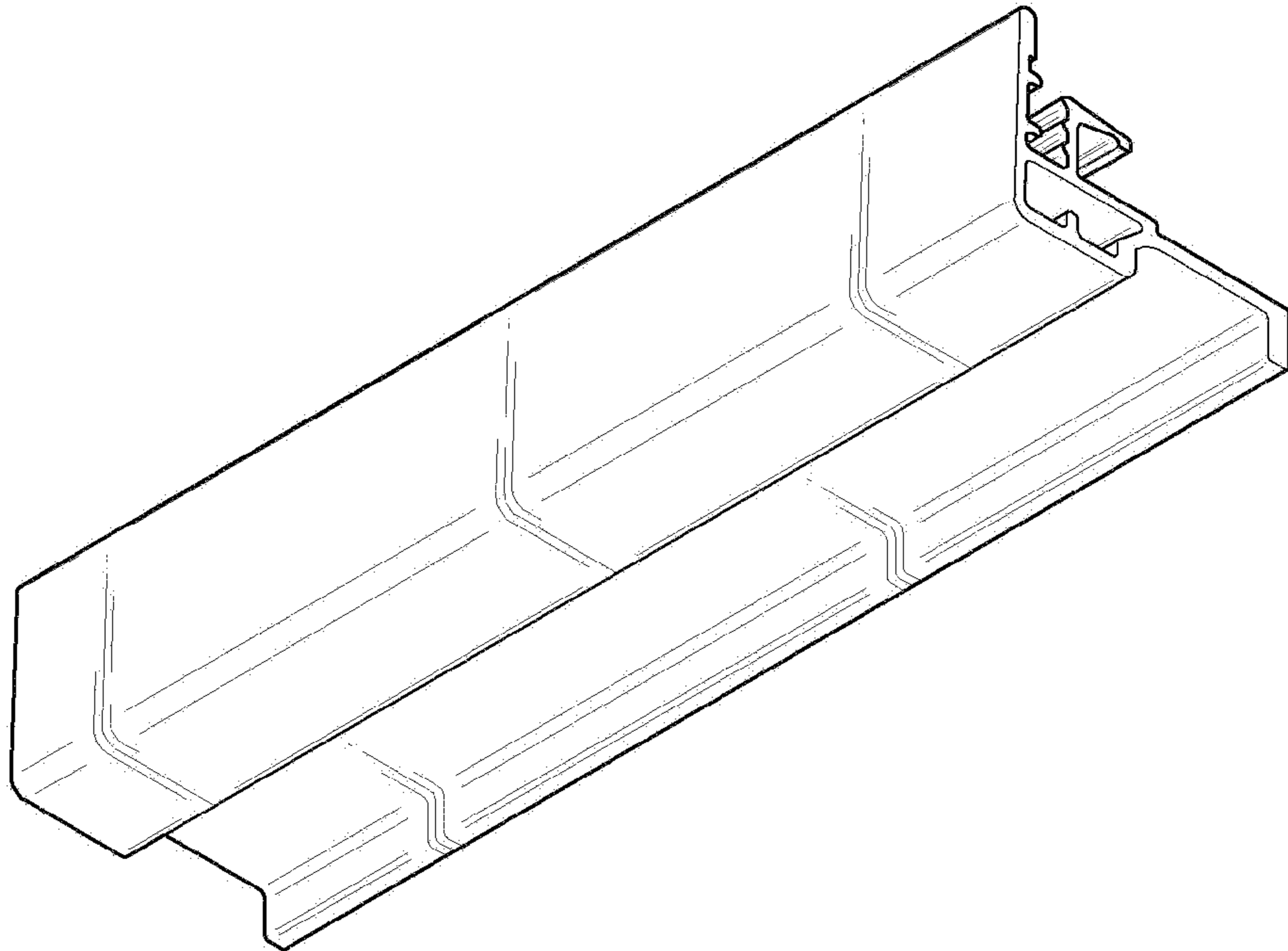


FIG. 9

