



US00D674220S

(12) **United States Design Patent**  
**Kim**

(10) **Patent No.:** **US D674,220 S**  
(45) **Date of Patent:** **\*\* Jan. 15, 2013**

(54) **SHOWCASE FRAME EXTRUSION**  
(75) Inventor: **Deok-Rae Kim**, Goyang-si (KR)  
(73) Assignee: **Seidae Industrial Co., Ltd.**, Goyang-Si (KR)  
(\*\*) Term: **14 Years**  
(21) Appl. No.: **29/426,955**  
(22) Filed: **Jul. 12, 2012**

(30) **Foreign Application Priority Data**  
Jun. 7, 2012 (KR) ..... 30-2012-0027992  
(51) **LOC (9) Cl.** ..... **06-02**  
(52) **U.S. Cl.** ..... **D6/509**  
(58) **Field of Classification Search** ..... D6/509;  
D25/52, 60, 119, 122-125; D26/138; 49/501;  
52/287.1, 716.1, 716.8, 718.04  
See application file for complete search history.

(56) **References Cited**  
U.S. PATENT DOCUMENTS  
D338,078 S \* 8/1993 Moss et al. .... D25/124  
D343,005 S \* 1/1994 Moss et al. .... D25/119  
D343,239 S \* 1/1994 Moss et al. .... D25/124  
D348,118 S \* 6/1994 Hamrin ..... D26/118  
D375,560 S \* 11/1996 Harris et al. .... D25/113  
D398,708 S \* 9/1998 Opielski et al. .... D25/119  
D403,085 S \* 12/1998 Current ..... D25/123  
D424,712 S \* 5/2000 Siudzinski ..... D25/124  
D448,864 S \* 10/2001 Marshall ..... D25/124  
6,302,560 B1 \* 10/2001 Lai ..... 362/235  
D457,659 S \* 5/2002 Marshall ..... D25/124  
D461,014 S \* 7/2002 Marshall ..... D25/124  
D488,570 S \* 4/2004 Houssian ..... D25/136  
D490,260 S \* 5/2004 Bowen ..... D6/511  
D529,298 S \* 10/2006 Houssian ..... D6/300

D547,977 S \* 8/2007 Torrente Bonatti et al. ... D6/491  
D550,484 S \* 9/2007 Bonatti et al. .... D6/509  
D584,425 S \* 1/2009 Chaney et al. .... D25/124  
D595,069 S \* 6/2009 Berry et al. .... D6/491  
D597,742 S \* 8/2009 Skinner ..... D6/300  
D604,978 S \* 12/2009 Shaha et al. .... D6/553  
D623,343 S \* 9/2010 Klus ..... D26/138  
D624,212 S \* 9/2010 Sawyer ..... D25/136  
D648,448 S \* 11/2011 Apgood et al. .... D25/138  
D661,524 S \* 6/2012 Watts ..... D6/509  
D662,255 S \* 6/2012 Klu ..... D26/138  
D662,613 S \* 6/2012 Williams ..... D25/126  
D665,123 S \* 8/2012 Douglas ..... D26/138

\* cited by examiner

*Primary Examiner* — Kelley Donnelly  
(74) *Attorney, Agent, or Firm* — Lexyoume IP Meister, PLLC.

(57) **CLAIM**  
The design for a showcase frame extrusion, as shown and described.

**DESCRIPTION**

FIG. 1 is a top and right side perspective view of a showcase frame extrusion showing my new design;  
FIG. 2 is a front elevational view thereof and a rear elevational view is identical;  
FIG. 3 is a left side elevational view thereof and the other side view is identical;  
FIG. 4 is a top plan view thereof;  
FIG. 5 is a bottom plan view thereof;  
FIG. 6 is a bottom and left perspective view of the showcase frame extrusion shown of FIG. 1; and,  
FIG. 7 is a front sectional view showcase frame extrusion shown in its position of use, taken along a line 4-4 of FIG. 4. The broken lines are illustrative purpose only and form no part of the claimed design.

**1 Claim, 4 Drawing Sheets**

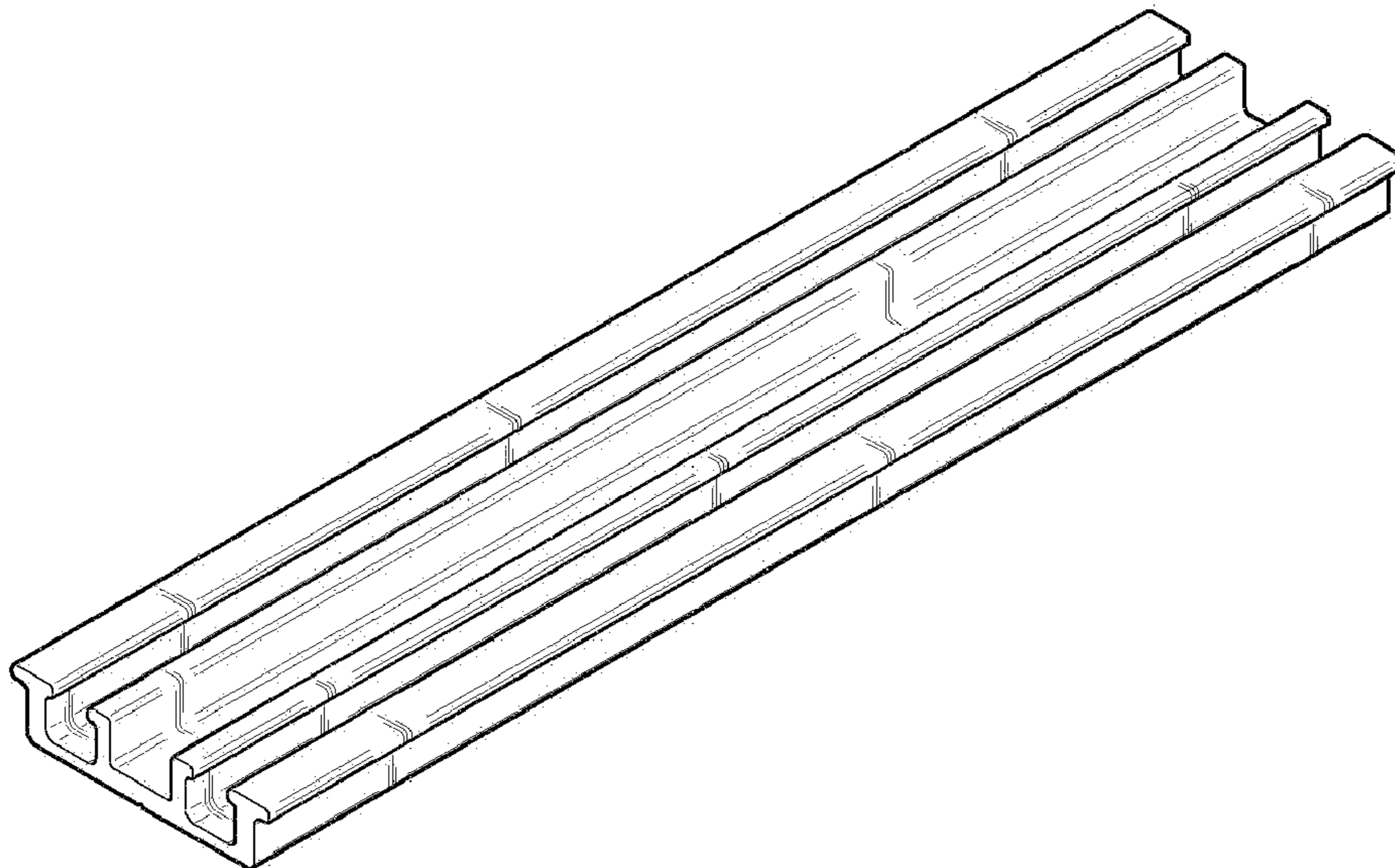


FIG. 1

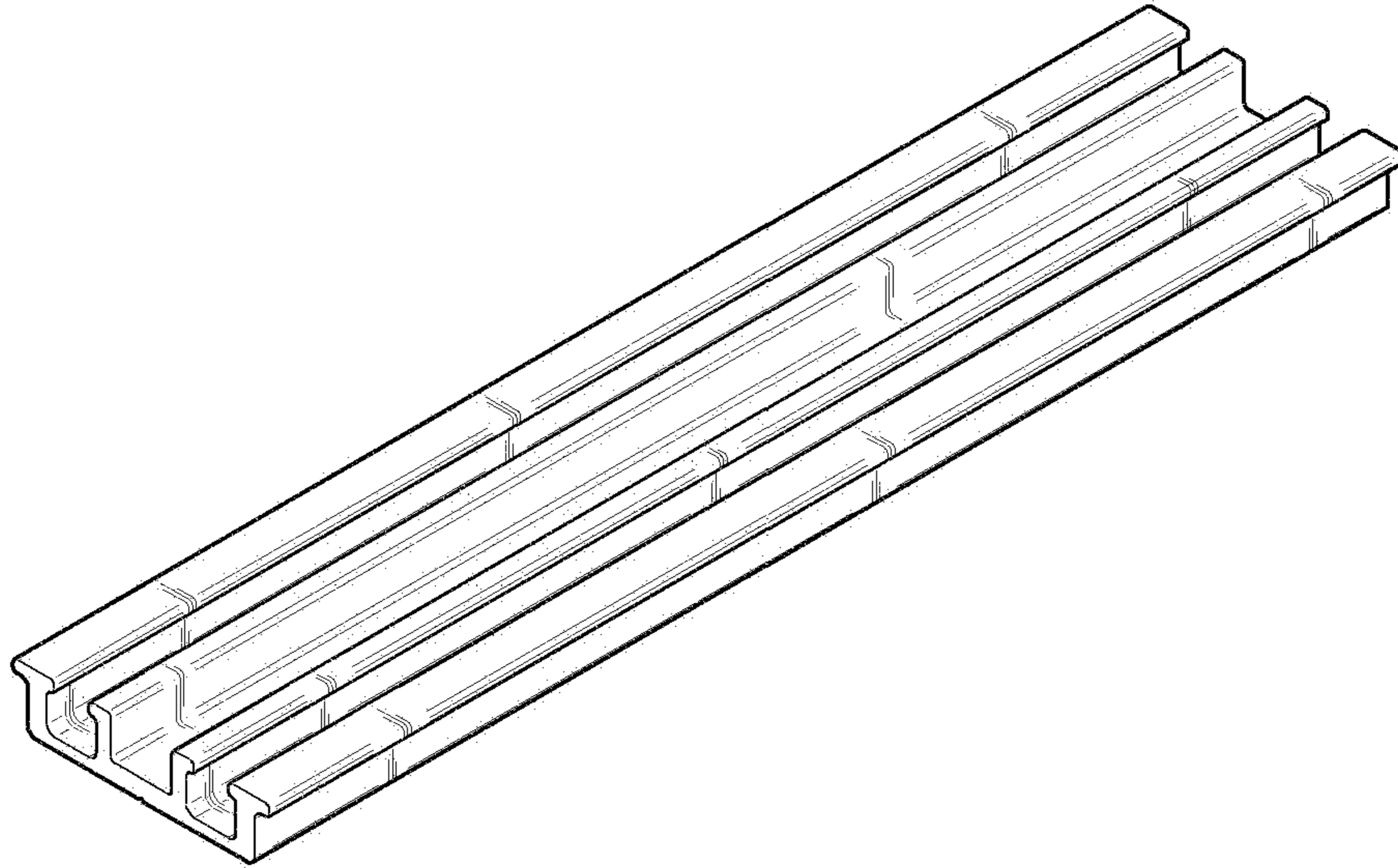


FIG. 2



FIG. 3



FIG. 4

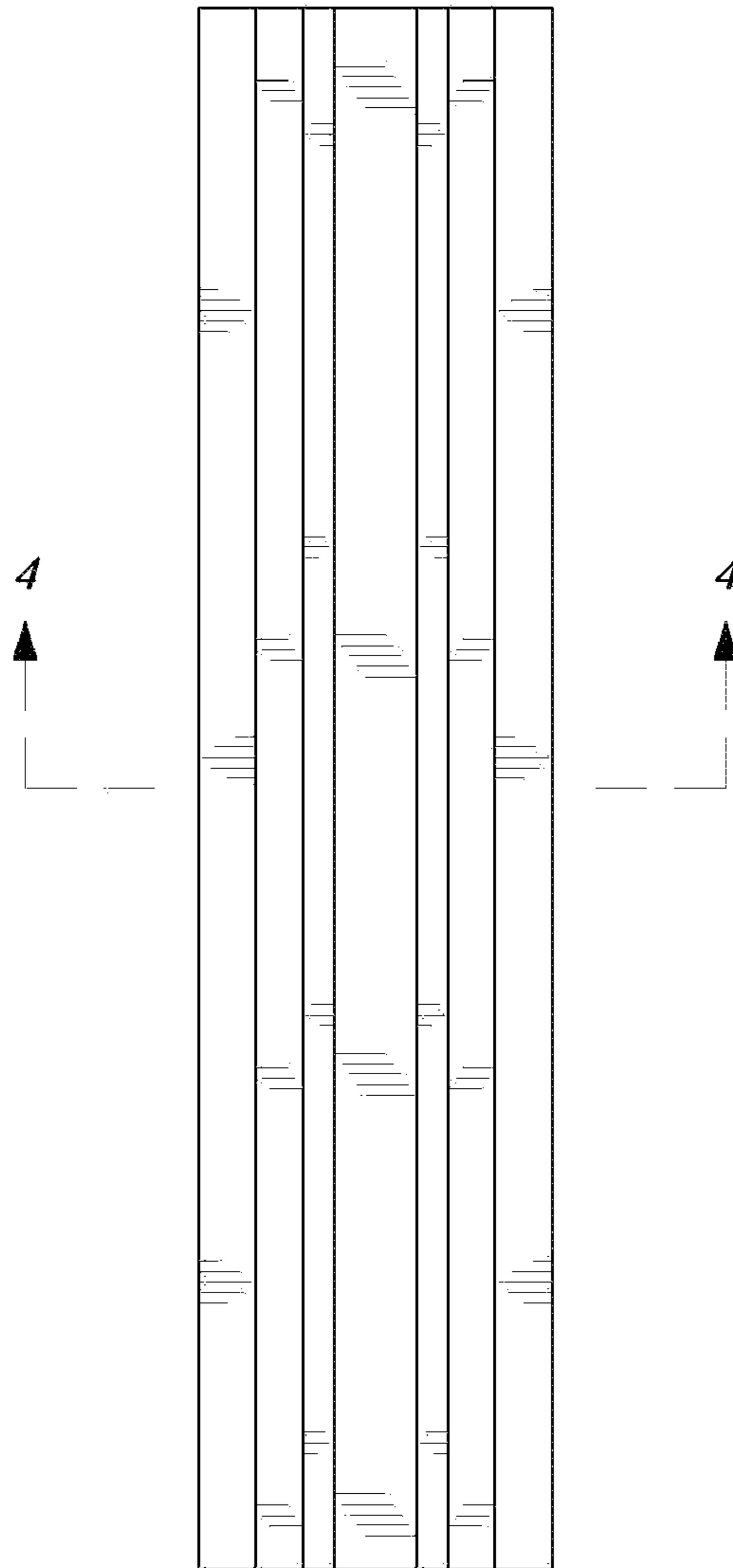


FIG. 5

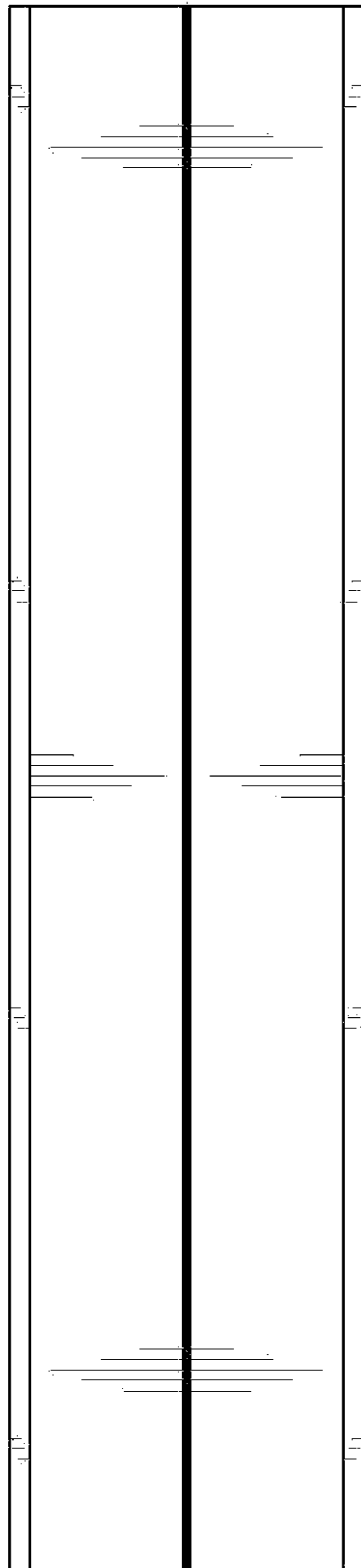


FIG. 6

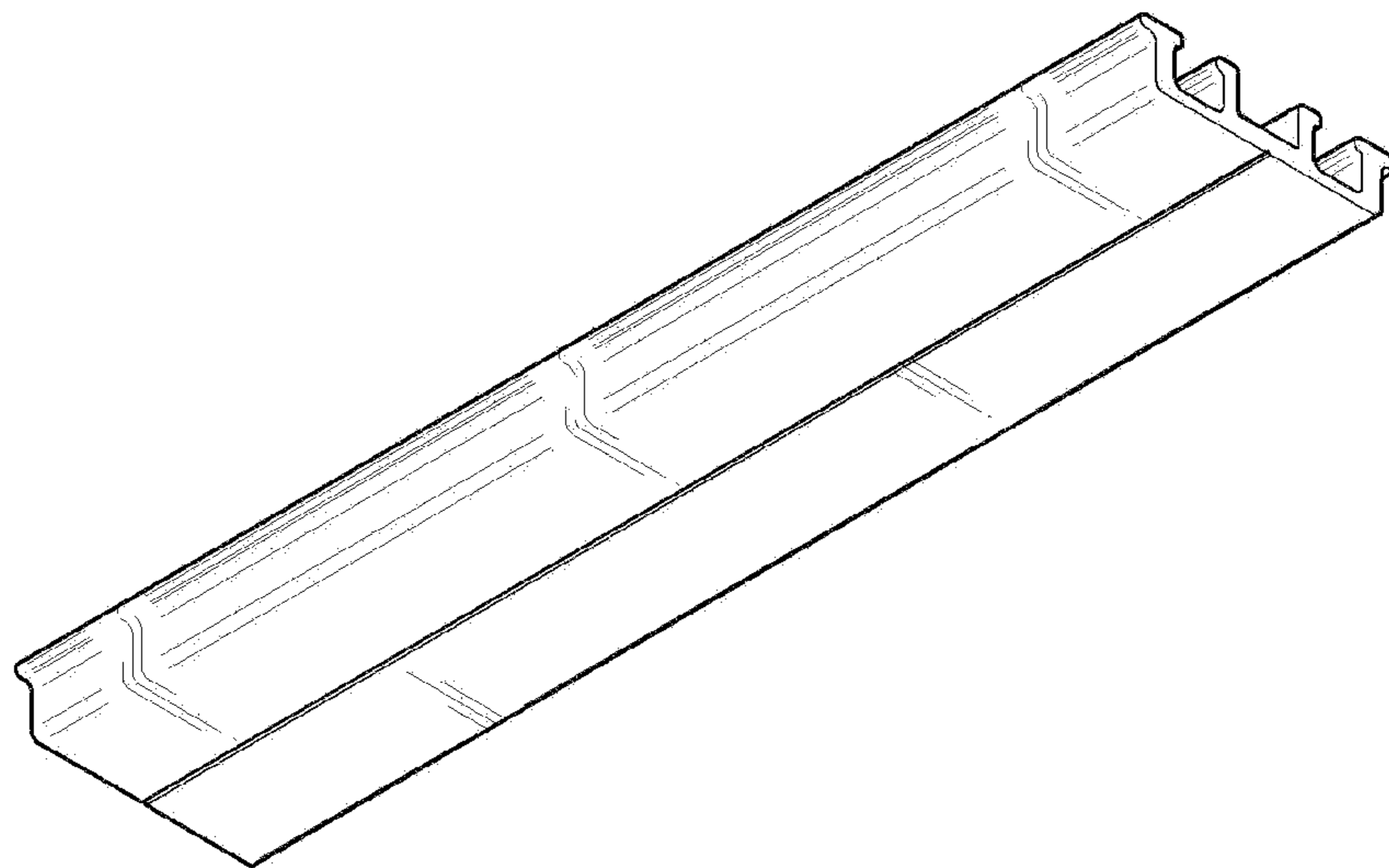


FIG. 7

