



US00D674218S

(12) **United States Design Patent**
Hsuan-Chin

(10) **Patent No.:** **US D674,218 S**
(45) **Date of Patent:** **** Jan. 15, 2013**

(54) **FOOTREST FRAME OF CHAIR**
(75) Inventor: **Tsai Hsuan-Chin**, Chai-Yi Hsien (TW)
(73) Assignee: **Zhongshan Shi Songlin Furniture Co., Ltd**, Zhongshan (CN)

D423,262 S * 4/2000 Smith et al. D6/501
D426,715 S * 6/2000 Smith et al. D6/367
6,402,232 B1 * 6/2002 Tsai 297/68

* cited by examiner

(**) Term: **14 Years**

Primary Examiner — Mimoso De

(21) Appl. No.: **29/409,326**

(74) *Attorney, Agent, or Firm* — Alan Kamrath; Kamrath IP Lawfirm, P.A.

(22) Filed: **Dec. 22, 2011**

(57) **CLAIM**

The ornamental design for a footrest frame of chair, as shown and described.

(51) **LOC (9) Cl.** **06-01**

DESCRIPTION

(52) **U.S. Cl.** **D6/501**

(58) **Field of Classification Search** D6/334-336,
D6/360, 361, 364, 366, 367, 374, 375, 500,
D6/501, 502; 297/68, 69, 84, 85, 423.1,
297/423.25

FIG. 1 is a perspective view of footrest frame of chair showing my design;

FIG. 2 is a front elevational view thereof;

FIG. 3 is a rear elevational view thereof;

FIG. 4 is a left side view thereof;

FIG. 5 is a right side view thereof;

FIG. 6 is a top elevational view thereof;

FIG. 7 is a bottom elevational view thereof; and,

FIG. 8 is a perspective view from bottom.

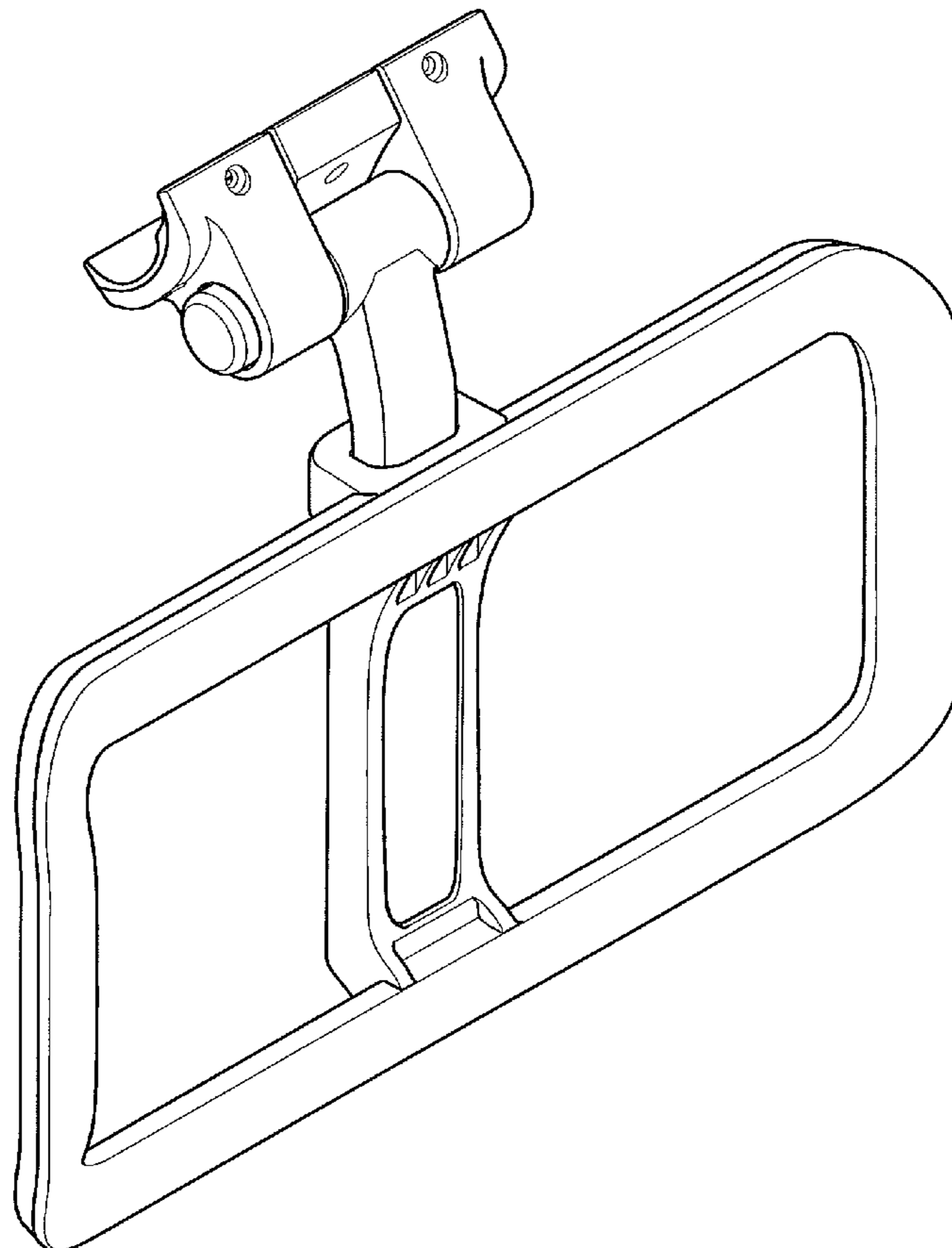
See application file for complete search history.

(56) **References Cited**

U.S. PATENT DOCUMENTS

D201,877 S * 8/1965 Coggin D6/501
3,295,885 A * 1/1967 Barksdale 297/84

1 Claim, 6 Drawing Sheets



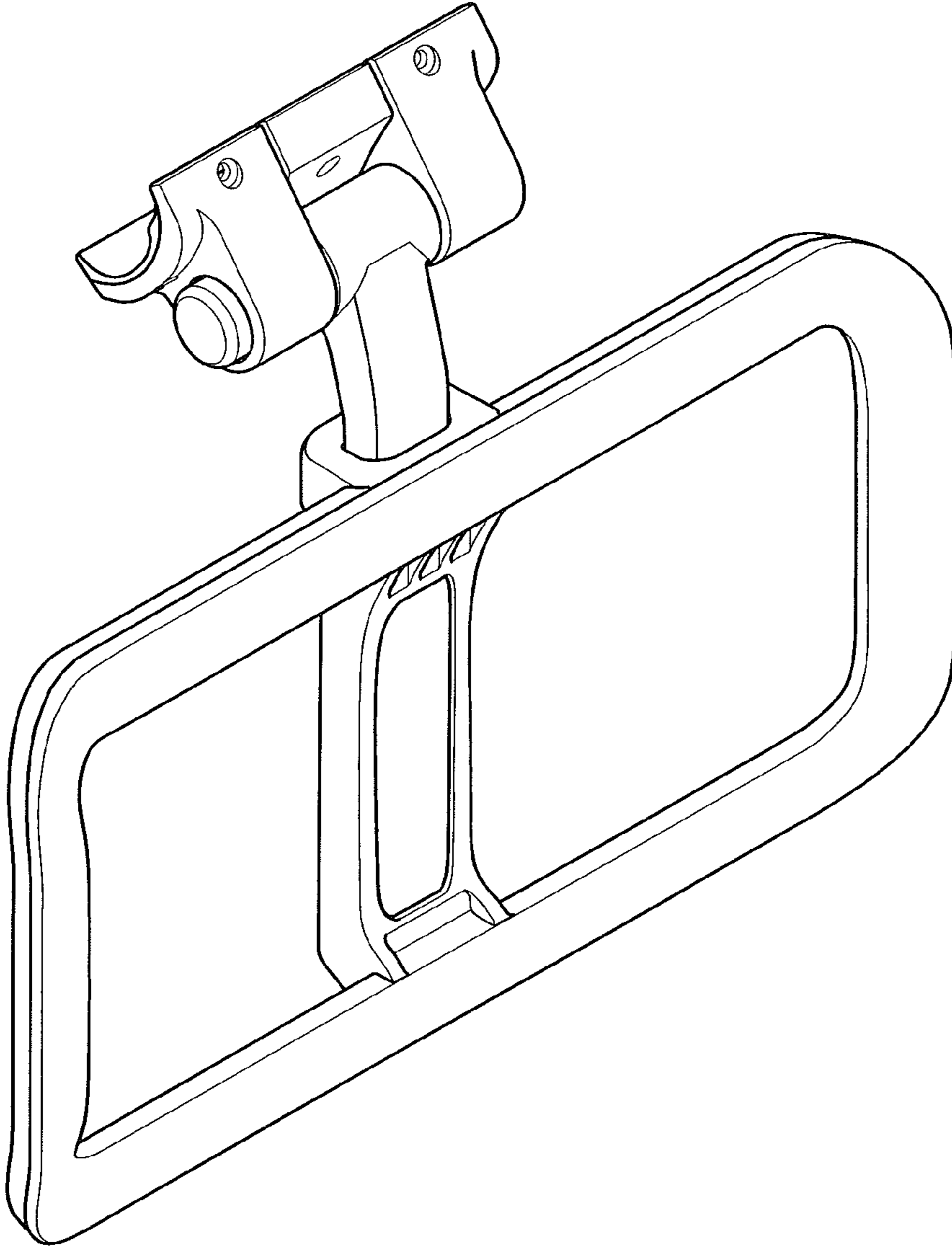


FIG.1

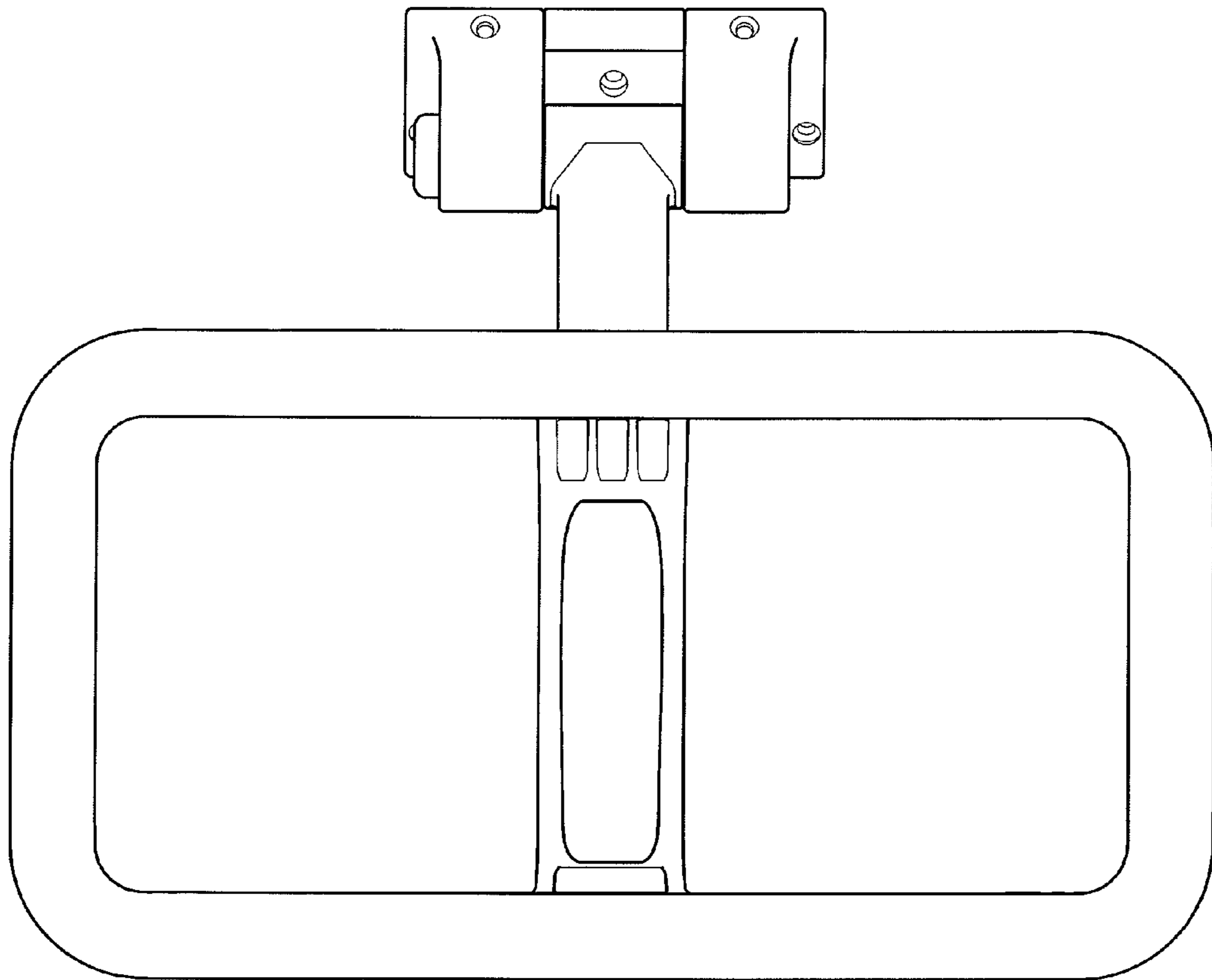


FIG.2

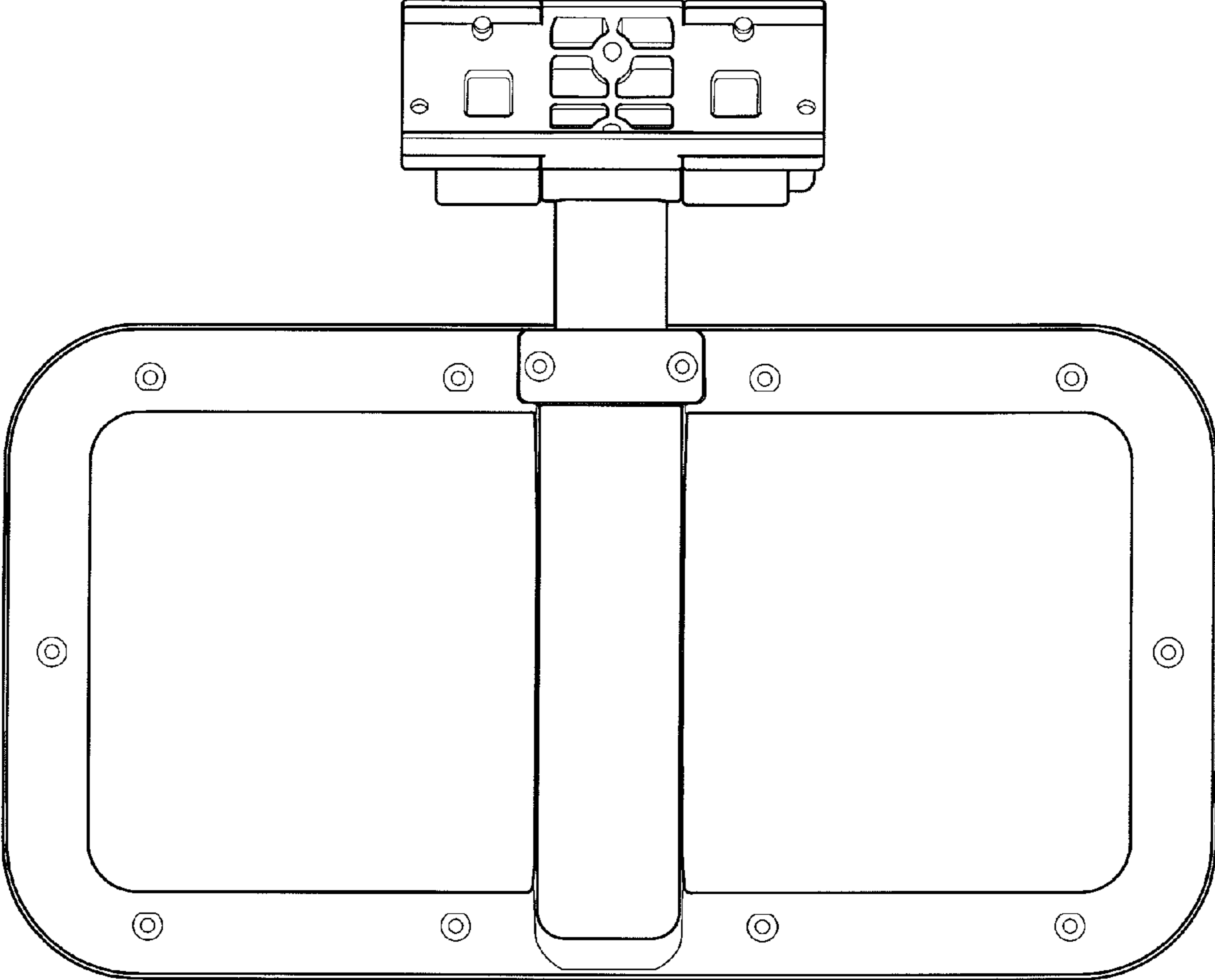


FIG.3

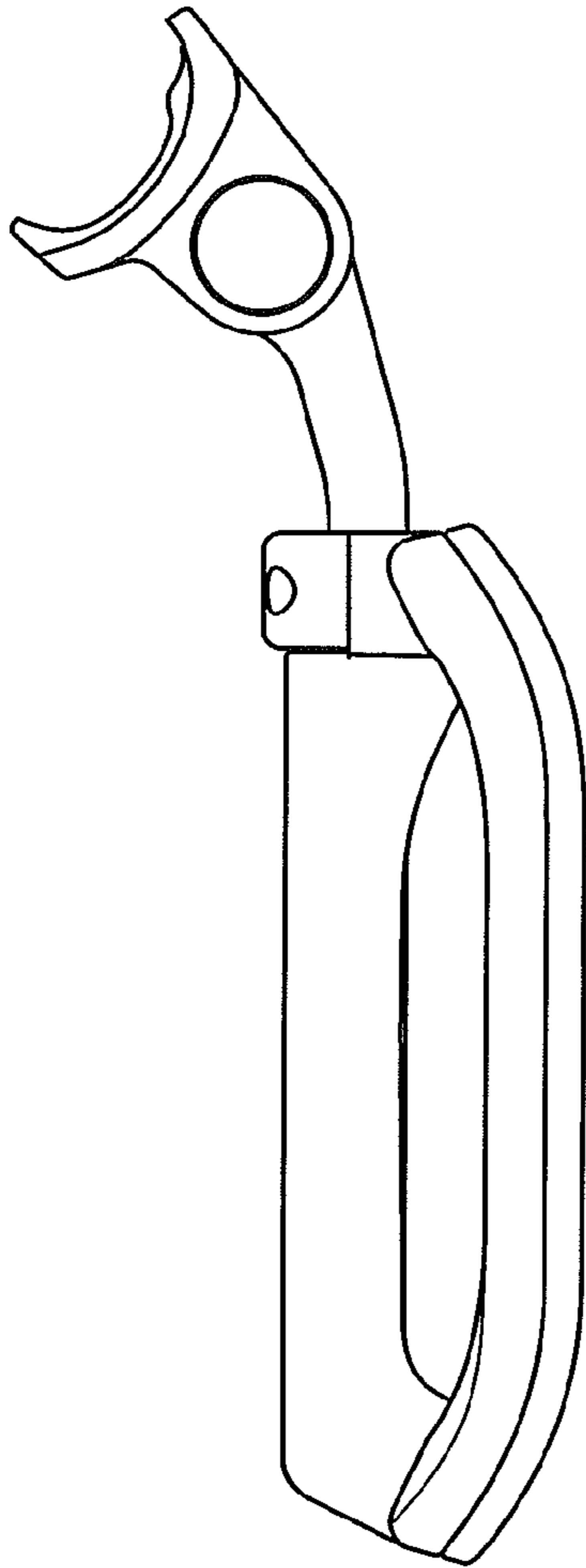


FIG. 4

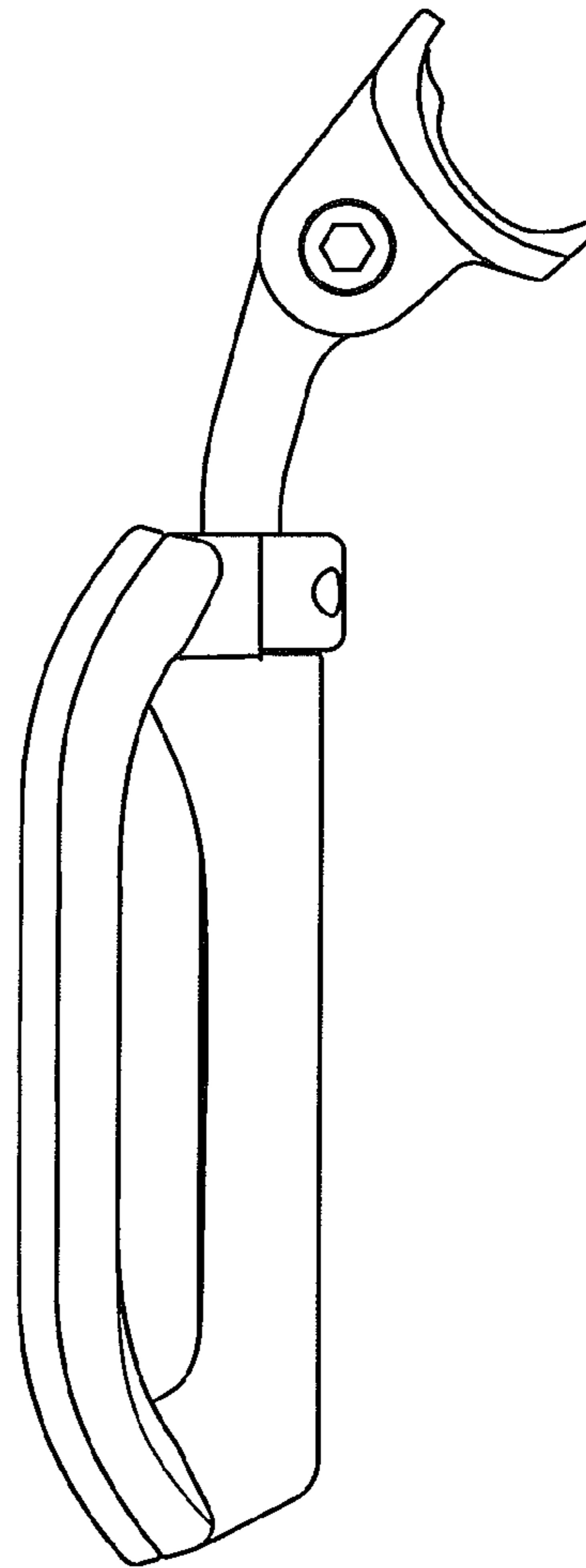


FIG. 5

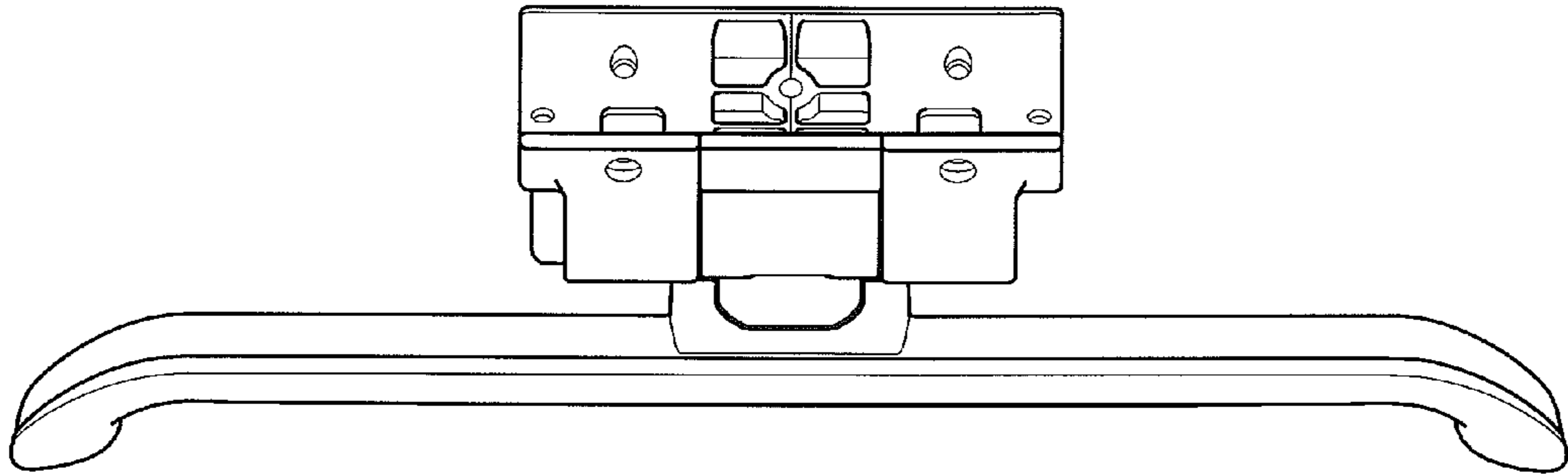


FIG. 6

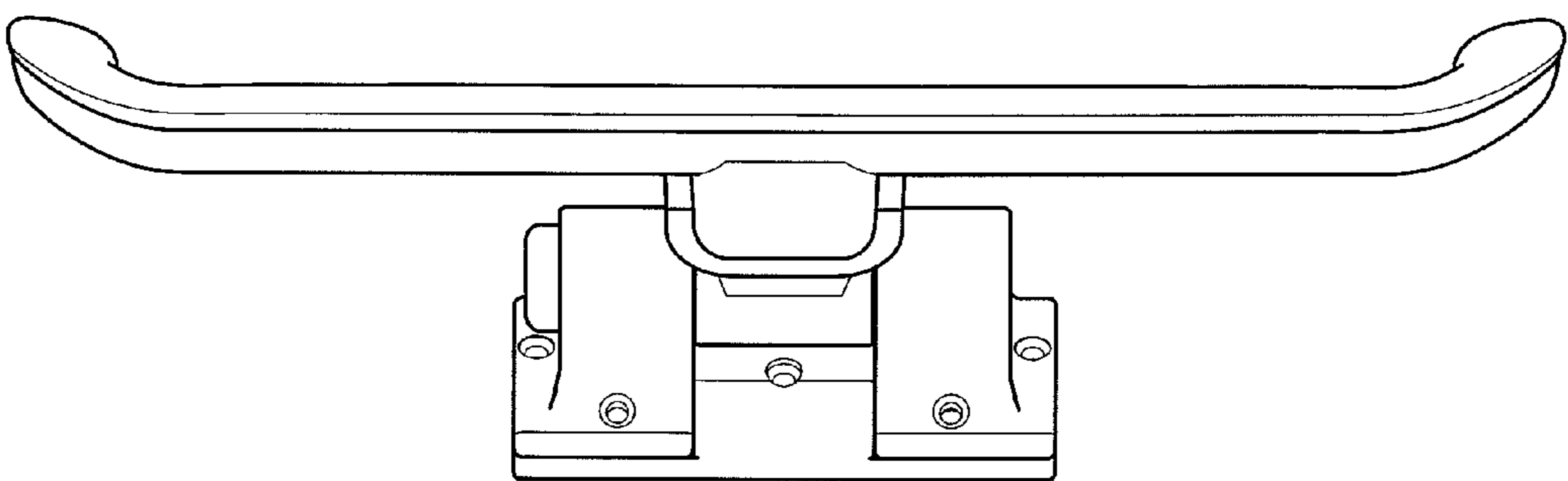


FIG. 7

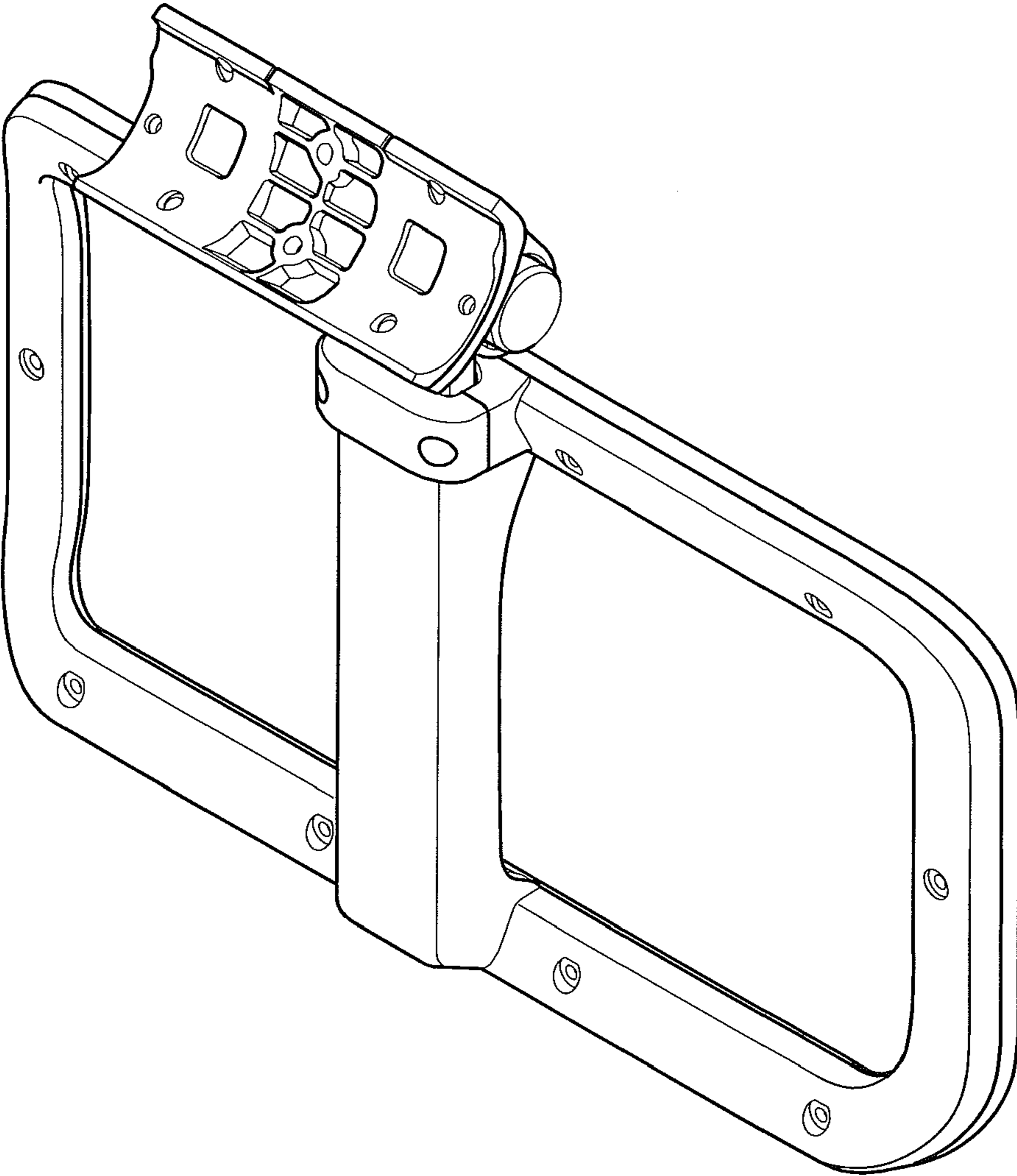


FIG.8