



US00D674215S

(12) **United States Design Patent**
McDonough

(10) **Patent No.:** **US D674,215 S**
(45) **Date of Patent:** **** Jan. 15, 2013**

(54) **HORIZONTAL CARD HOLDER**

Primary Examiner — Kelley Donnelly

(76) Inventor: **Claudette Y. McDonough**, Daytona Beach, FL (US)

(74) *Attorney, Agent, or Firm* — Allen, Dyer, Doppelt, Milbrath & Gilchrist, P.A.

(**) Term: **14 Years**

(57) **CLAIM**

The ornamental design for a horizontal card holder, as shown and described.

(21) Appl. No.: **29/345,348**

(22) Filed: **Oct. 14, 2009**

DESCRIPTION

Related U.S. Application Data

(63) Continuation-in-part of application No. 12/116,915, filed on May 7, 2008, now abandoned.

FIG. 1 is a perspective view from the front, top and right of a horizontal card holder, according to a first embodiment of the present invention;

(51) **LOC (9) Cl.** **06-06**

FIG. 2 is right side view thereof, the left side being a mirror image;

(52) **U.S. Cl.** **D6/476**

FIG. 3 is a top view thereof;

(58) **Field of Classification Search** D6/407, D6/467-468, 474, 476, 512, 569-571, 626, D6/630; D19/75, 77, 85-86, 90-91; D3/304; 206/214, 345; 211/10, 13.1, 12, 44, 49.1, 211/50, 55, 69.1, 75, 86.01, 87.01, 88.01, 211/126.1

FIG. 4 is a bottom view thereof;

FIG. 5 is a front view thereof;

FIG. 6 is a rear view thereof;

See application file for complete search history.

FIG. 7 is a perspective view from the front, top and right of a horizontal card holder, according to a second embodiment of the present invention;

FIG. 8 is right side view thereof, the left side being a mirror image;

FIG. 9 is a top view thereof;

(56) **References Cited**

U.S. PATENT DOCUMENTS

D227,066	S	*	6/1973	Gallat	D6/473
D256,199	S	*	8/1980	Burke et al.	D6/474
D279,529	S	*	7/1985	Denhoff	D6/474
D282,989	S	*	3/1986	Nelson	D6/474
D297,868	S	*	9/1988	Sussman	D28/76
D304,842	S	*	11/1989	Barone et al.	D19/75
D322,728	S	*	12/1991	Berman	D6/476
D324,144	S	*	2/1992	Watrous	D6/476
D348,366	S	*	7/1994	Stravitz	D6/476
5,447,242	A	*	9/1995	Kelly et al.	211/42
D370,141	S	*	5/1996	Kelly et al.	D6/475
D436,266	S	*	1/2001	Buchanan et al.	D6/474
D451,744	S	*	12/2001	Stravitz	D6/571
D479,660	S	*	9/2003	Vinson	D6/476
7,104,408	B2	*	9/2006	Stravitz	211/11
7,419,320	B2	*	9/2008	LaBrasca	401/131
D585,494	S	*	1/2009	Yoshikawa	D19/78

FIG. 10 is a bottom view thereof;

FIG. 11 is a front view thereof;

FIG. 12 is a rear view thereof;

FIG. 13 is a perspective view from the front, top and right of a horizontal card holder, according to a third embodiment of the present invention;

FIG. 14 is right side view thereof, the left side being a mirror image;

FIG. 15 is a top view thereof;

FIG. 16 is a bottom view thereof;

FIG. 17 is a front view thereof;

FIG. 18 is a rear view thereof;

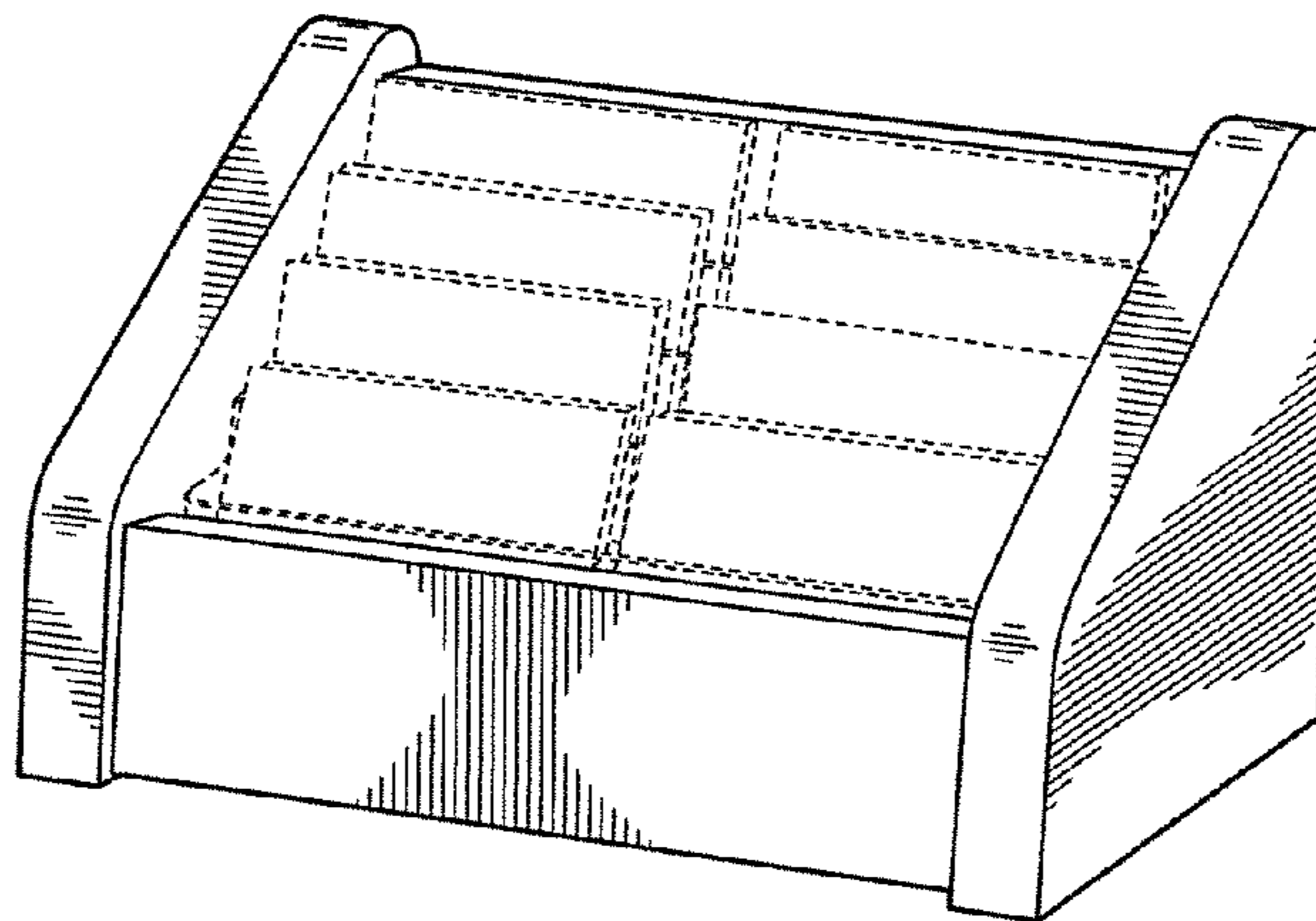
FIG. 19 is a perspective view from the front, top and right of a horizontal card holder, according to a fourth embodiment of the present invention;

FIG. 20 is right side view thereof, the left side being a mirror image;

FIG. 21 is a top view thereof;

FIG. 22 is a bottom view thereof;

* cited by examiner



US D674,215 S

Page 2

FIG. 23 is a front view thereof;
FIG. 24 is a rear view thereof;
FIG. 25 is a perspective view from the front, top and right of a horizontal card holder, according to a fifth embodiment of the present invention;
FIG. 26 is right side view thereof, the left side being a mirror image;
FIG. 27 is a top view thereof;

FIG. 28 is a bottom view thereof;
FIG. 29 is a front view thereof; and,
FIG. 30 is a rear view thereof.
Broken lines show environmental details and form no part of the claimed design.

1 Claim, 19 Drawing Sheets

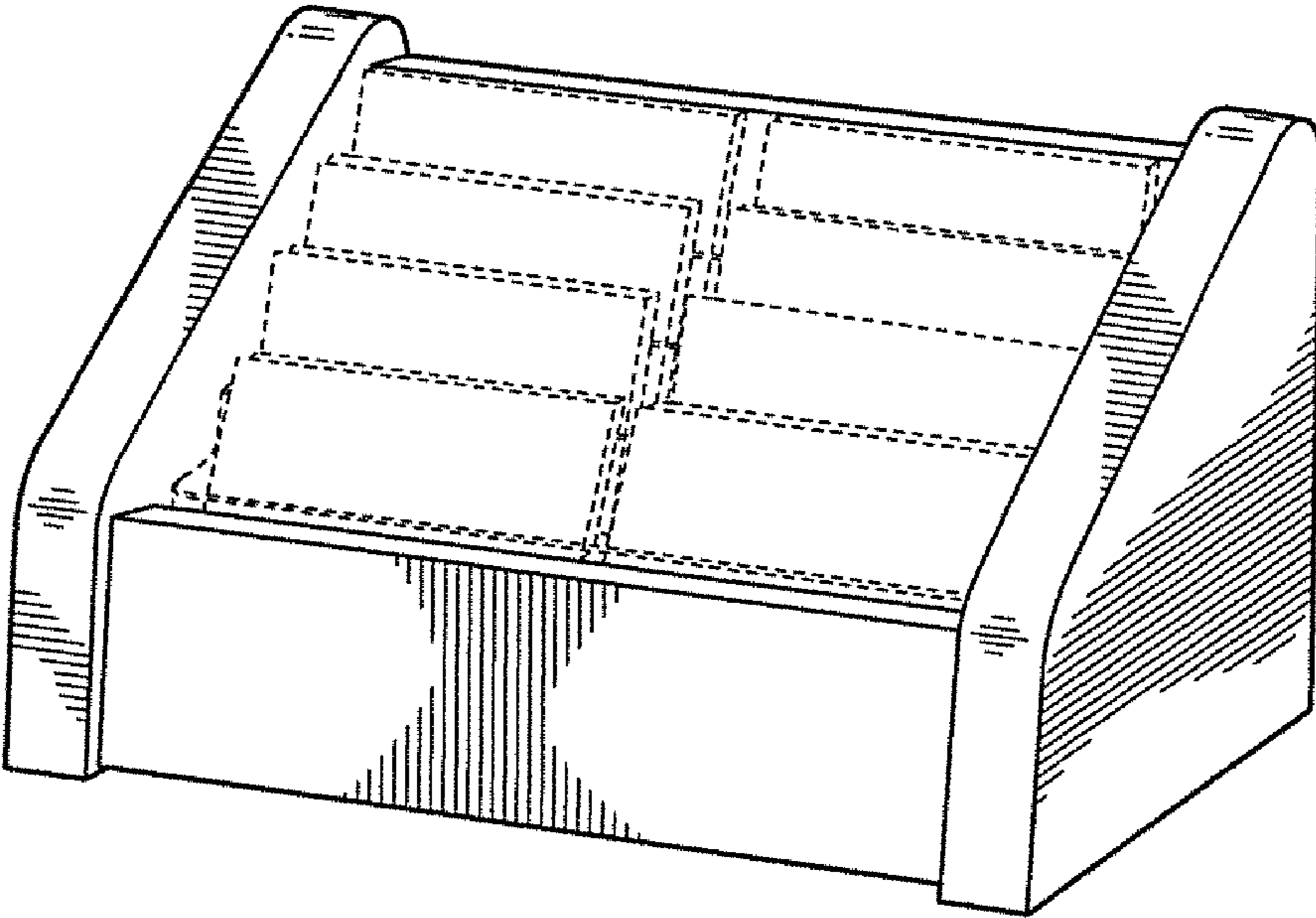


FIG. 1

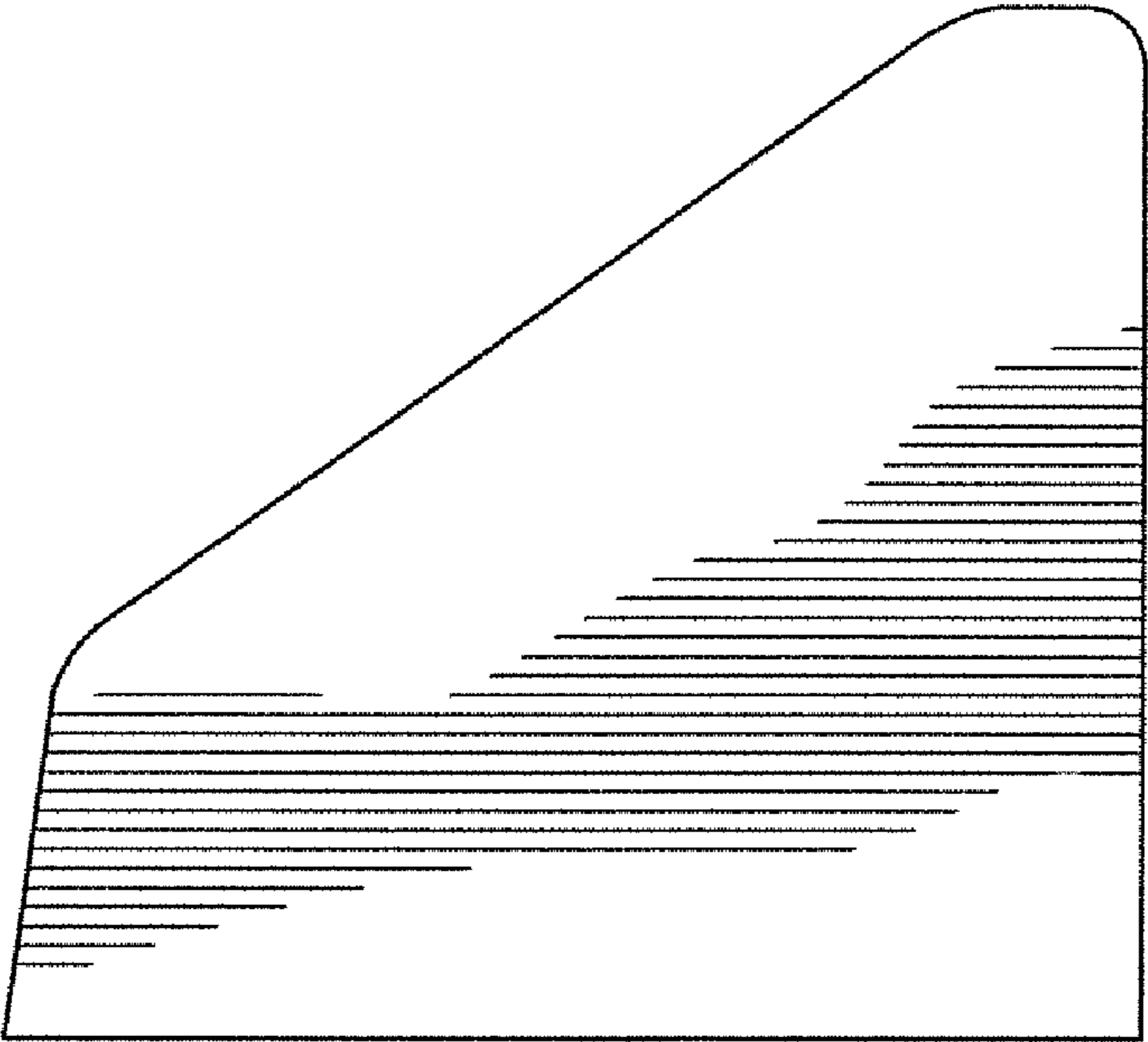


FIG. 2

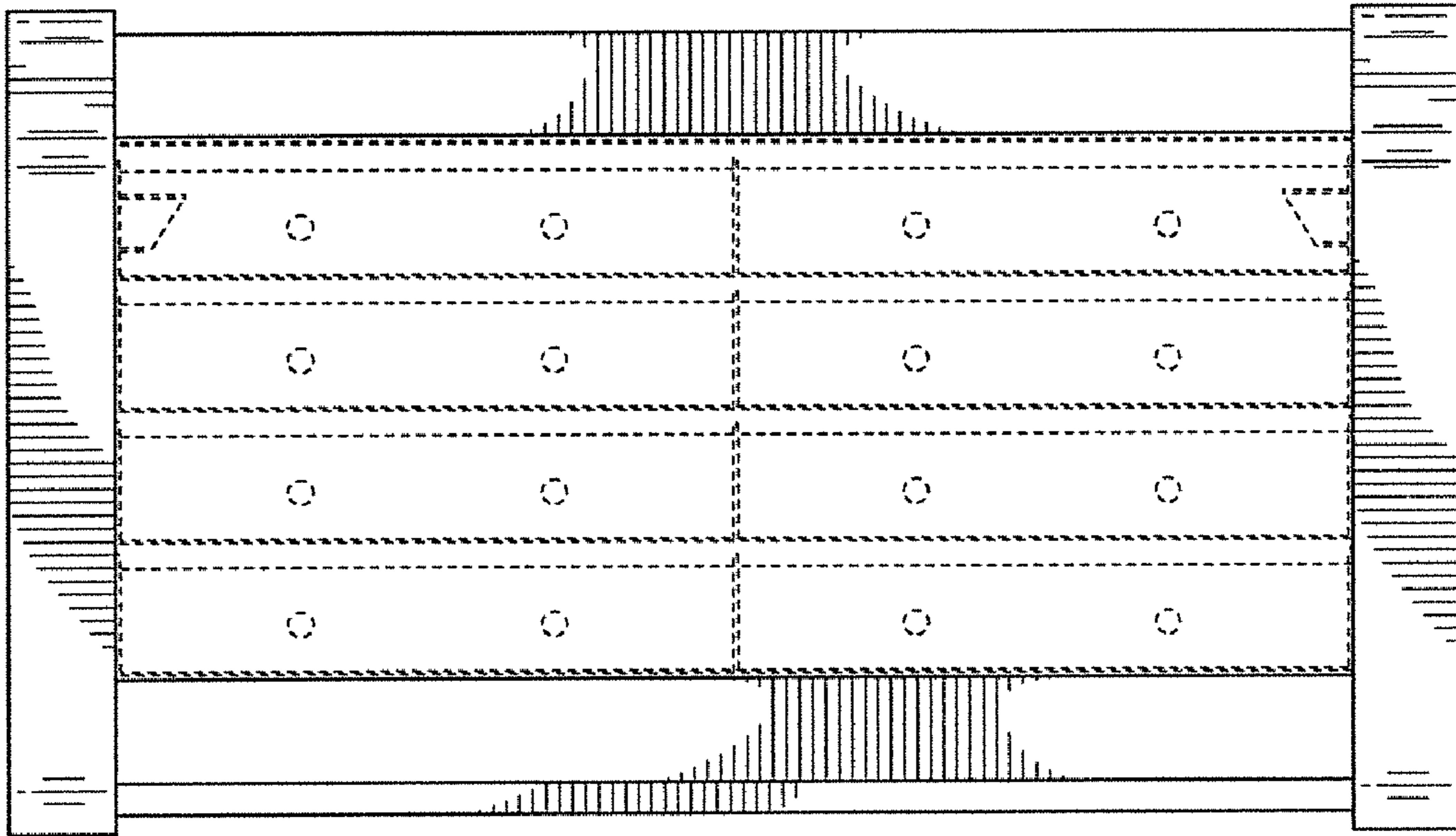


FIG. 3

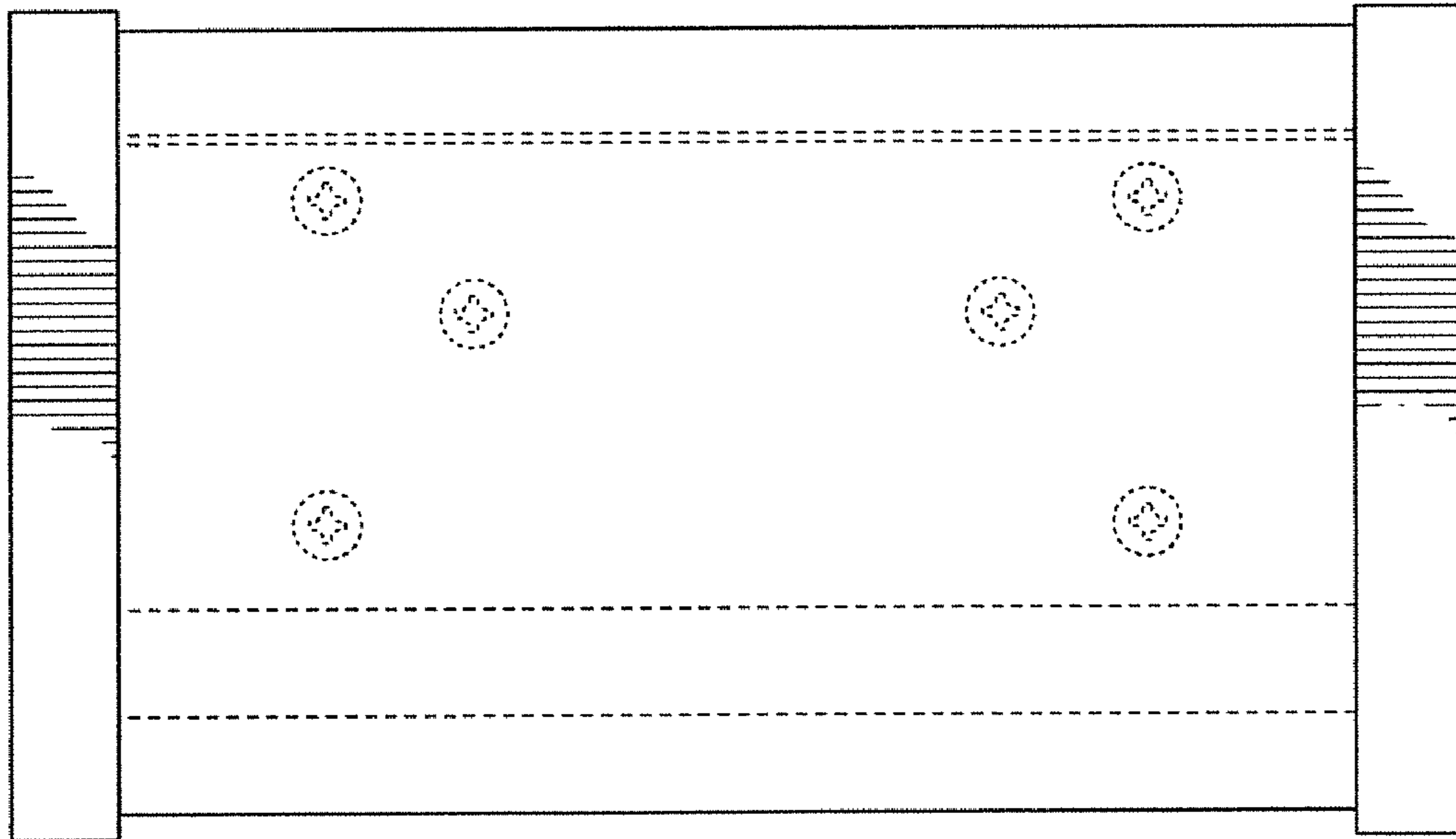


FIG. 4

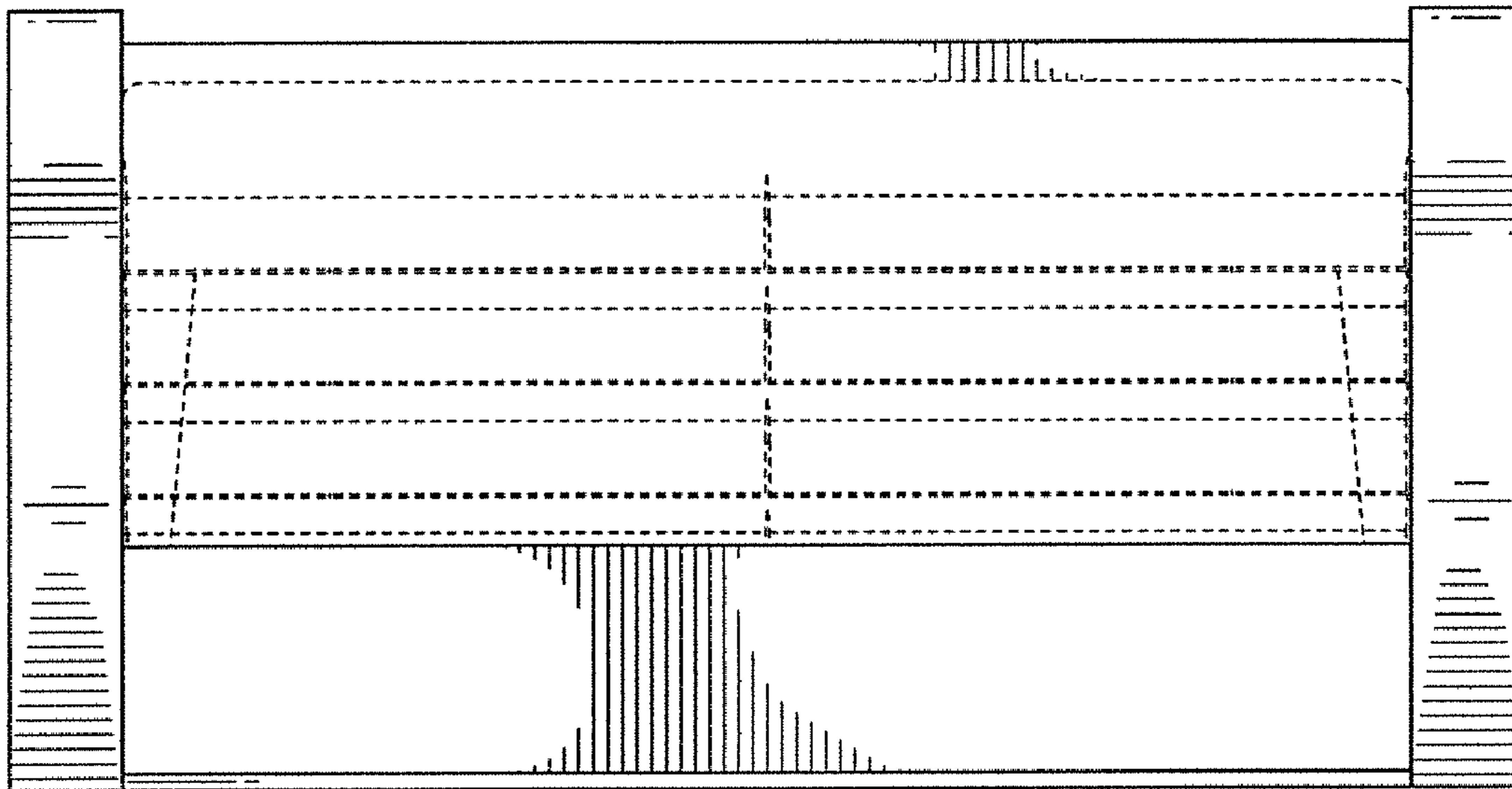


FIG. 5

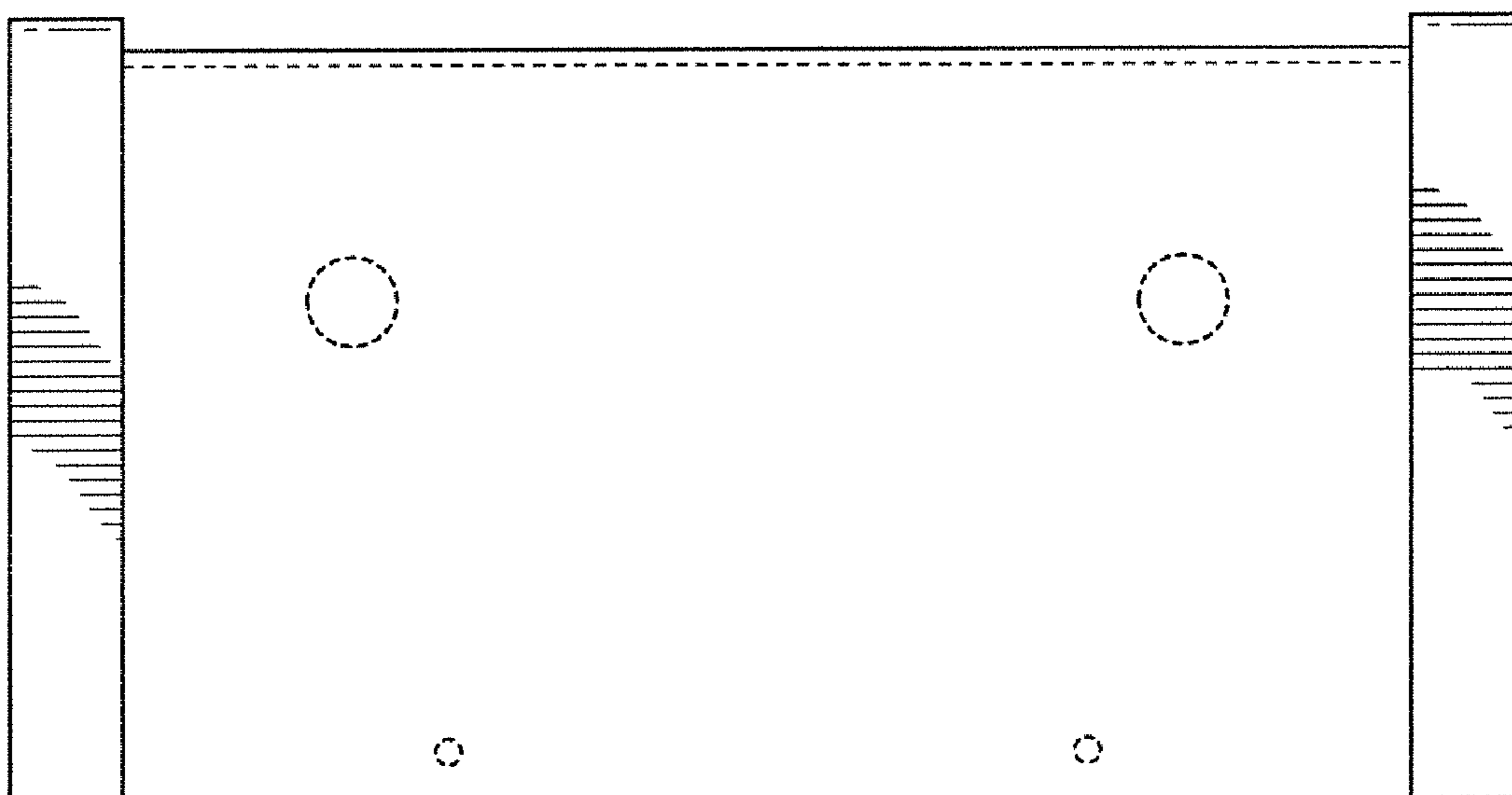


FIG. 6

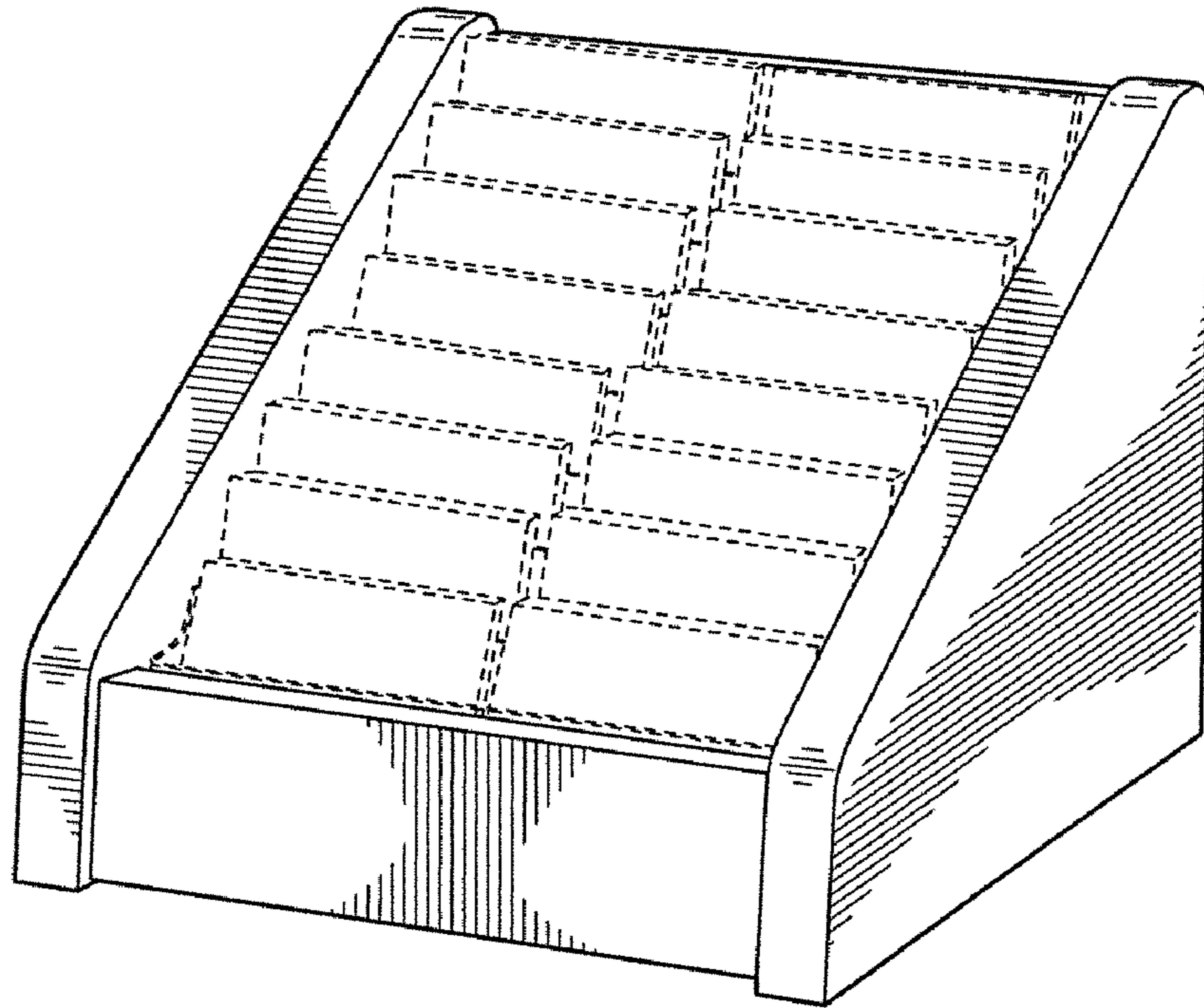


FIG. 7

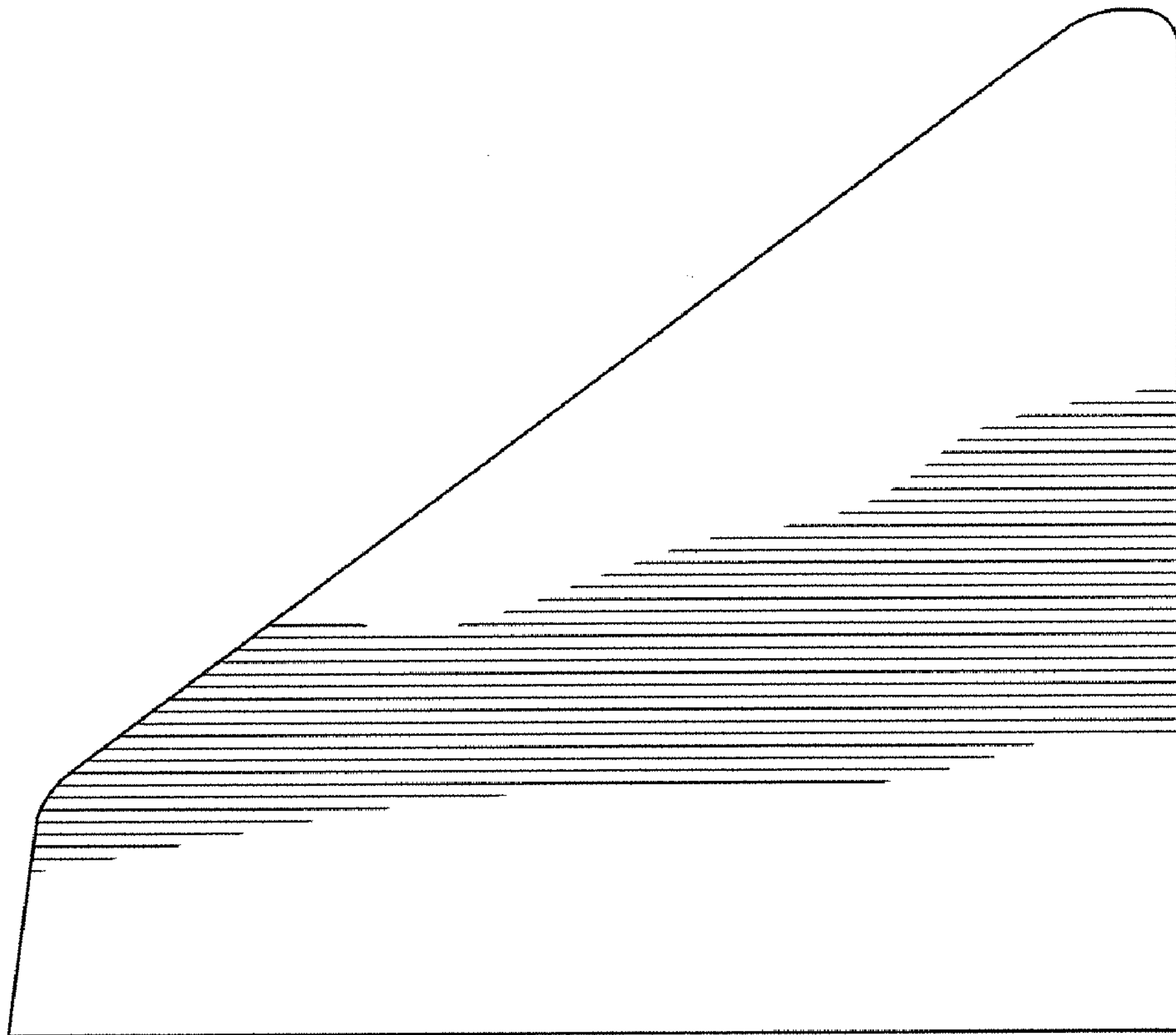


FIG. 8

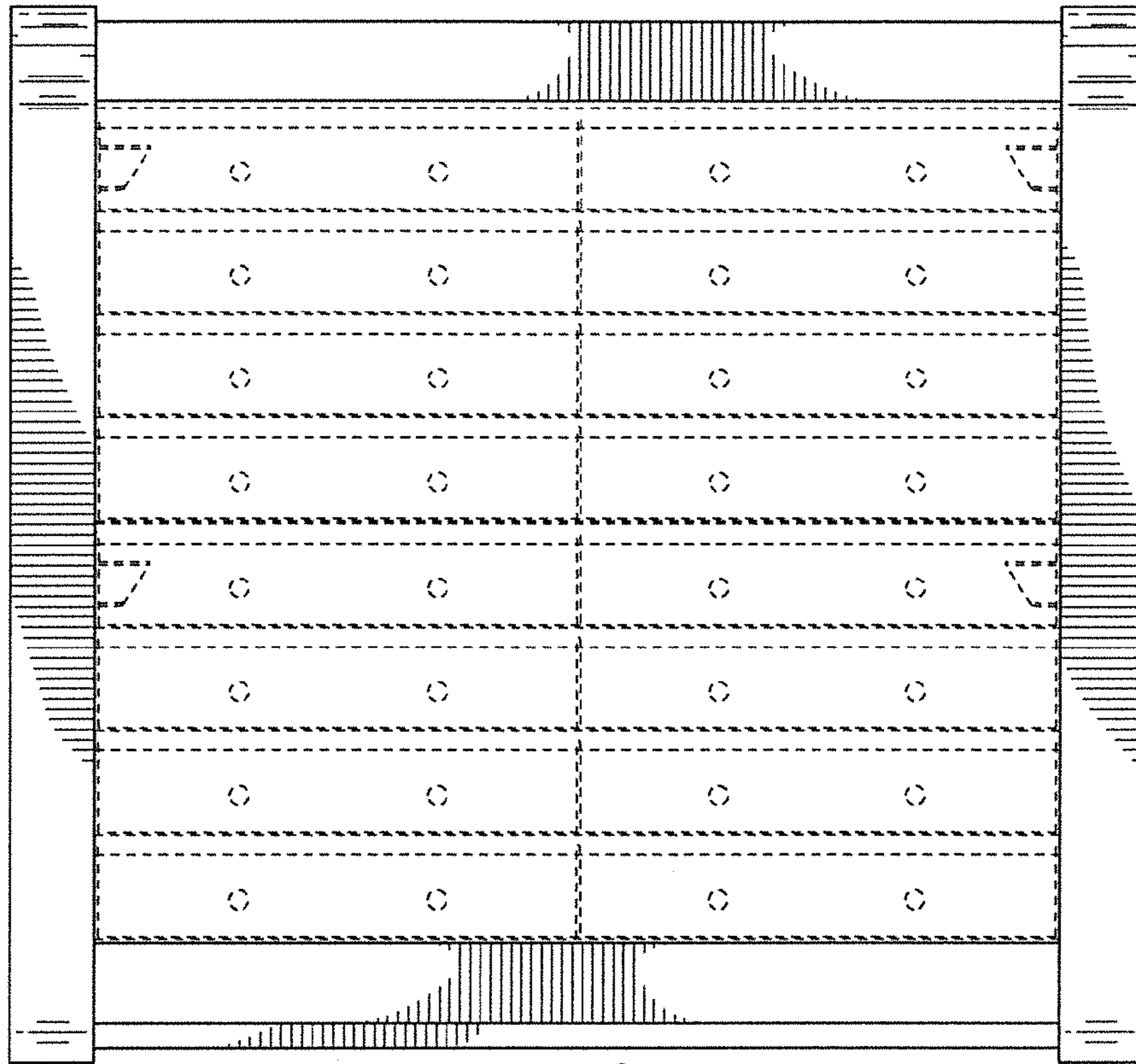


FIG. 9

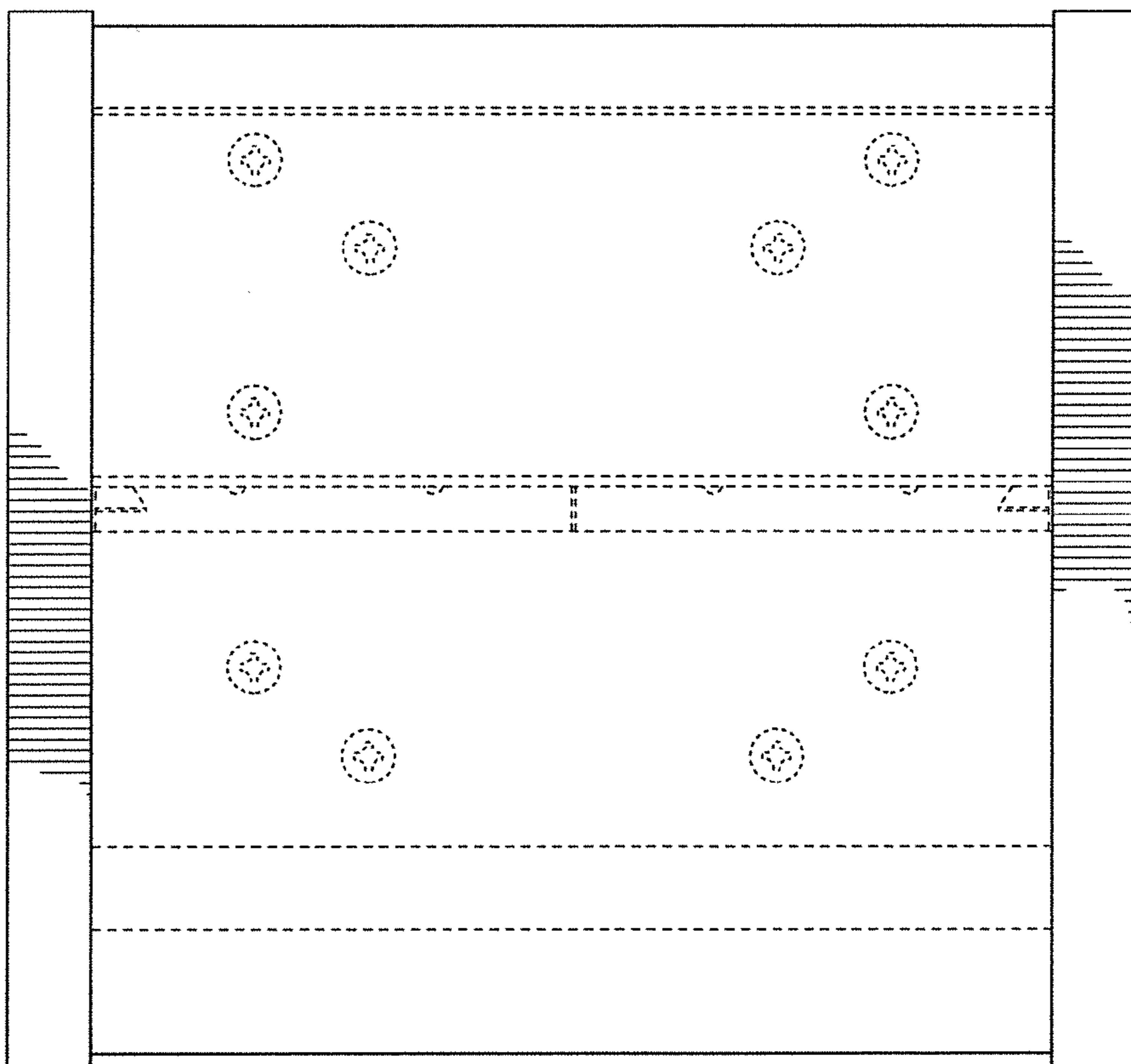


FIG. 10

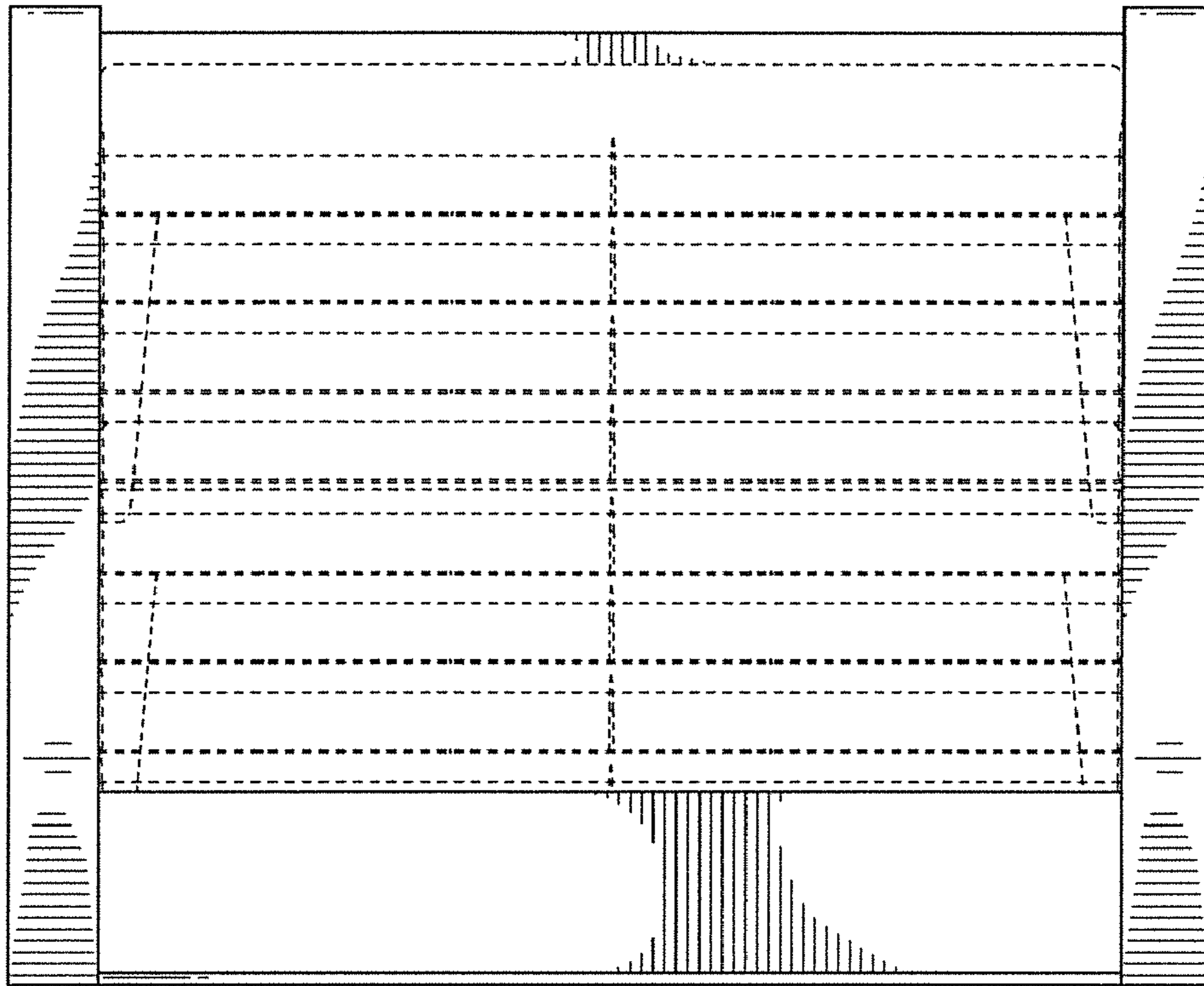


FIG. 11

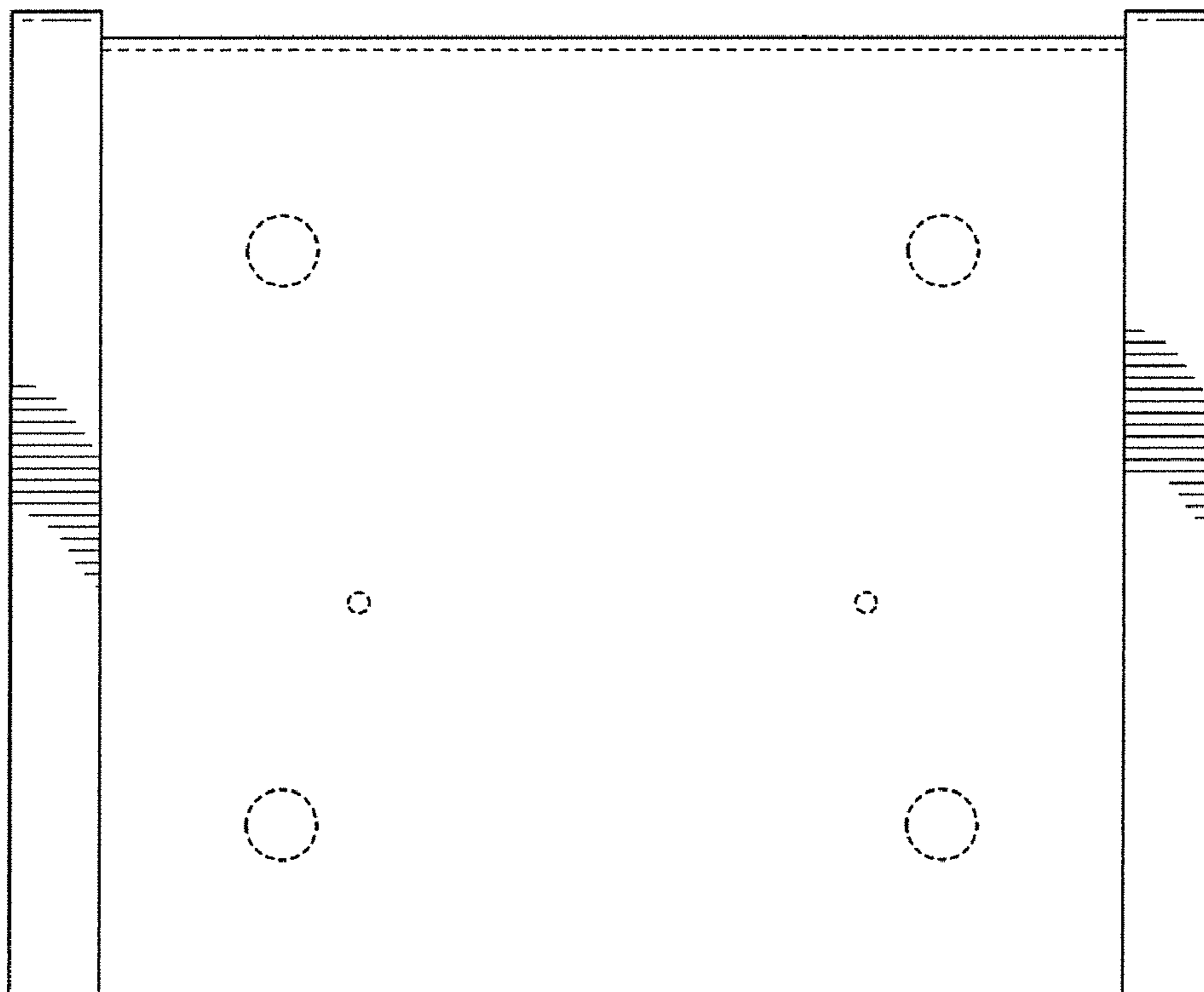


FIG. 12

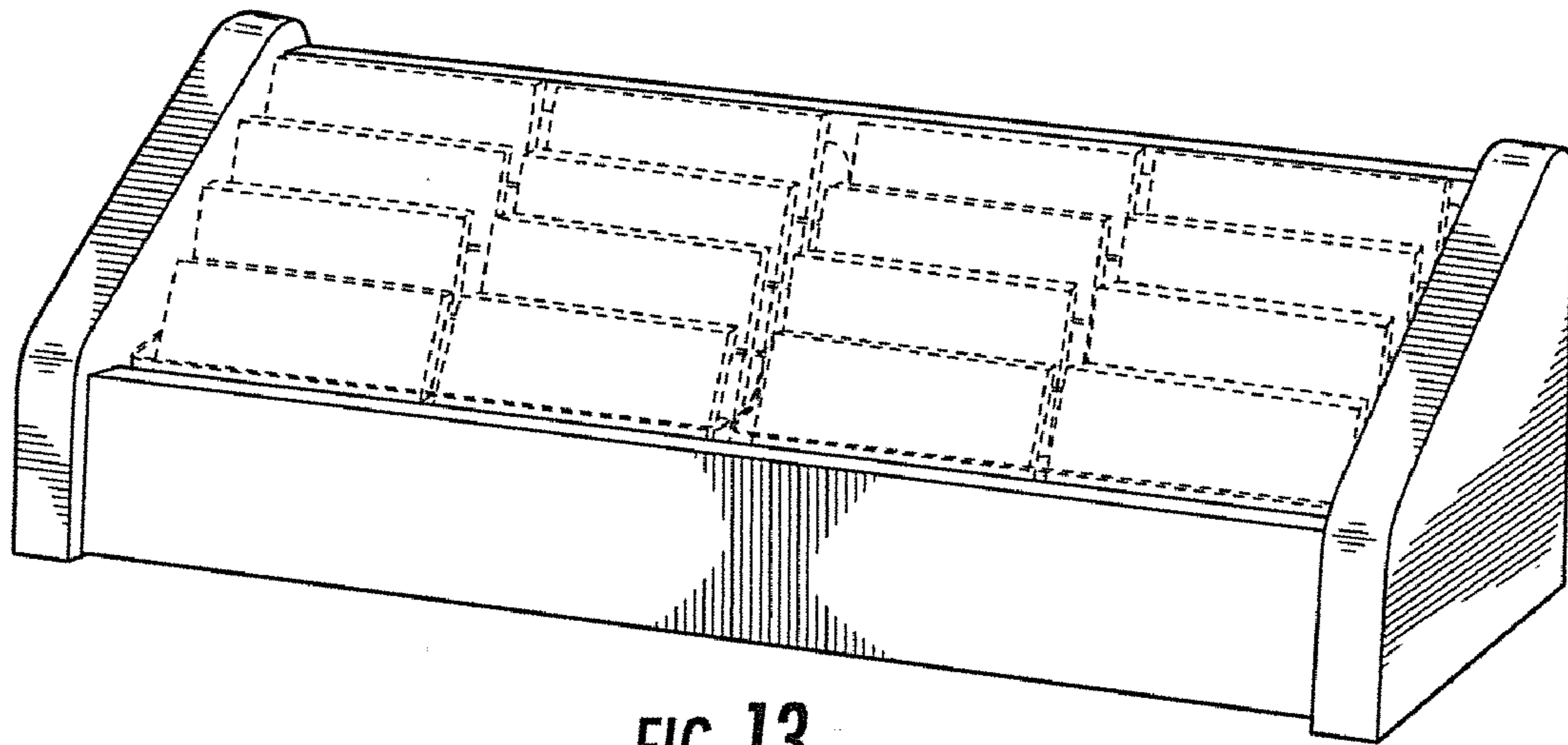


FIG. 13

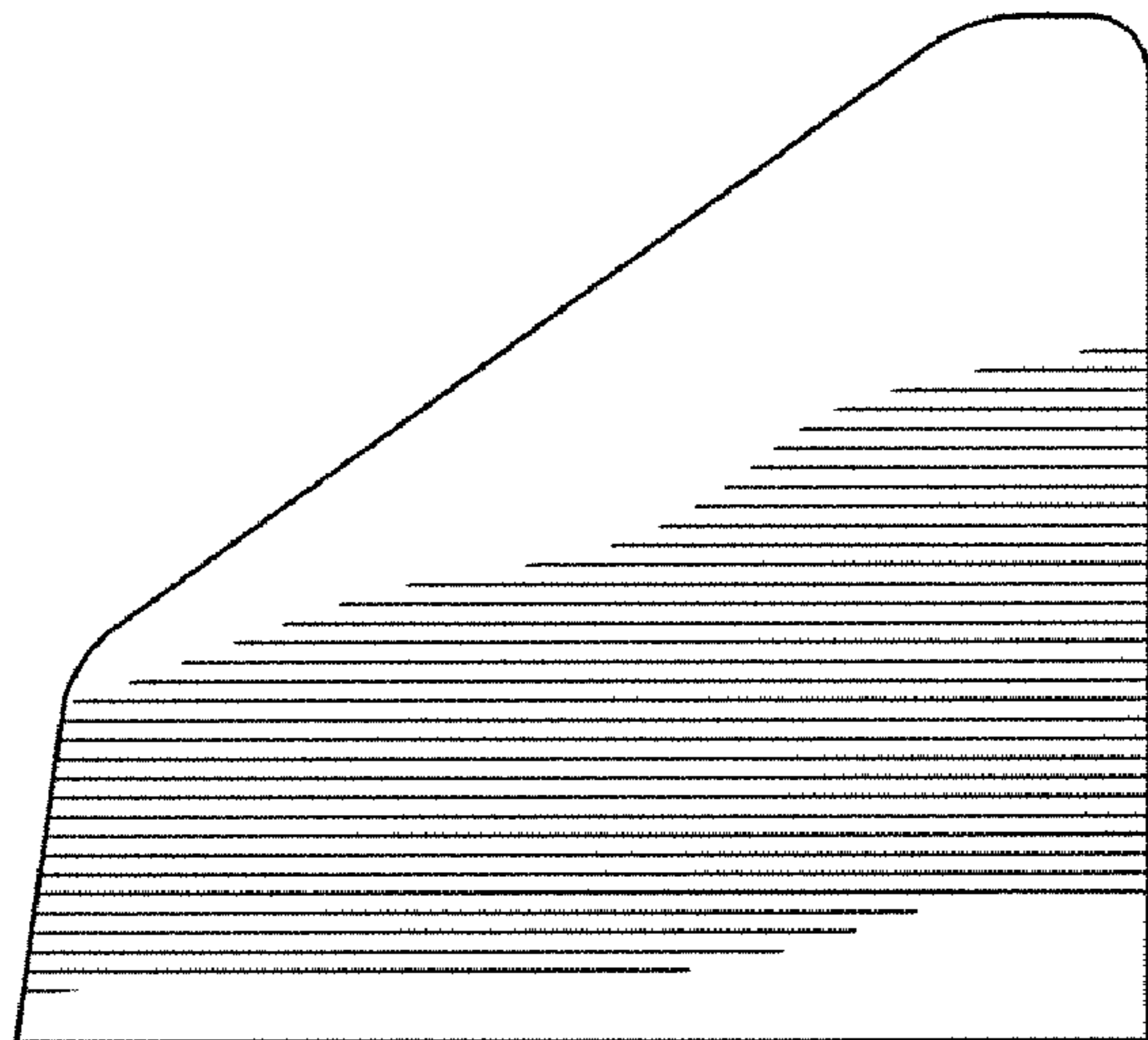


FIG. 14

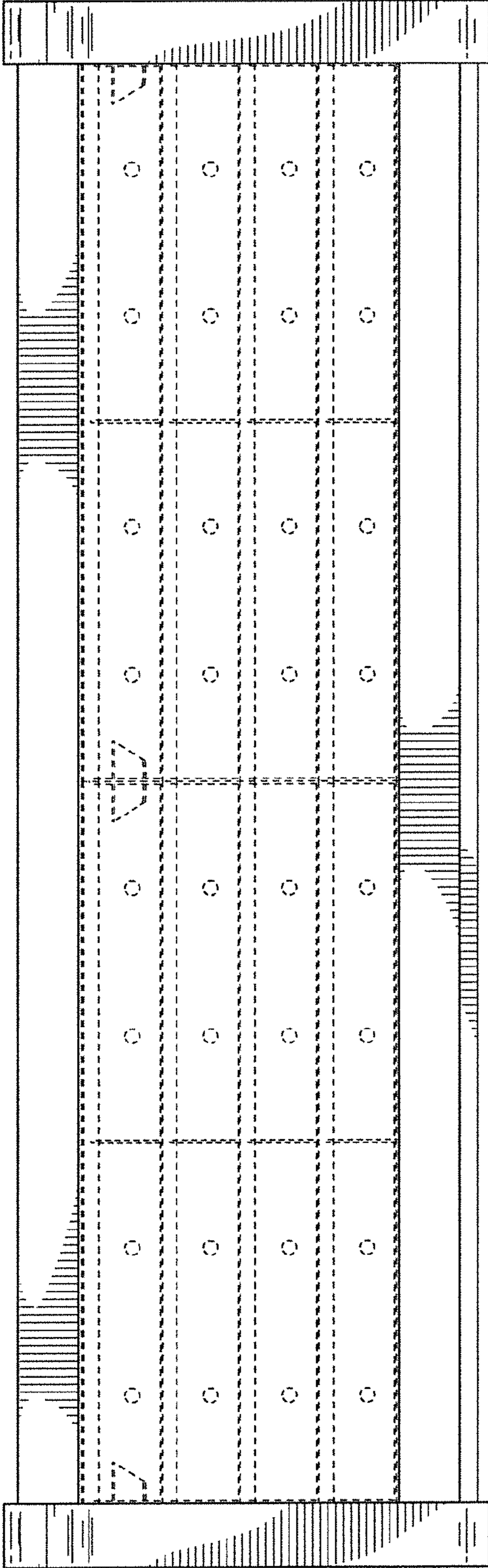


FIG. 15

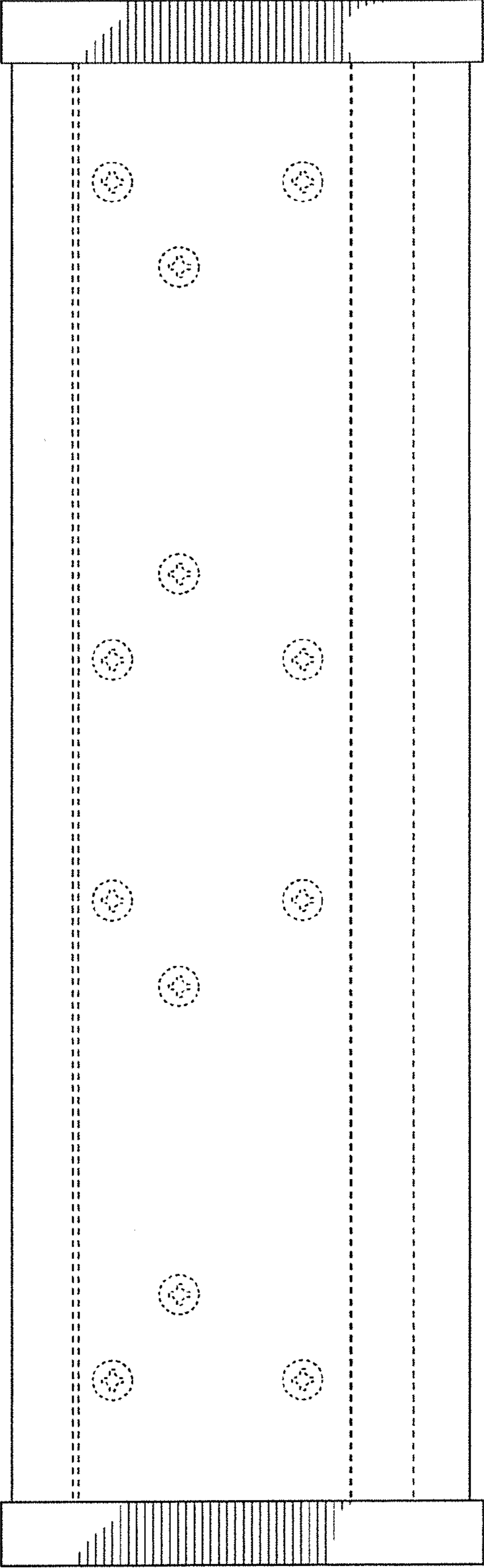


FIG. 16

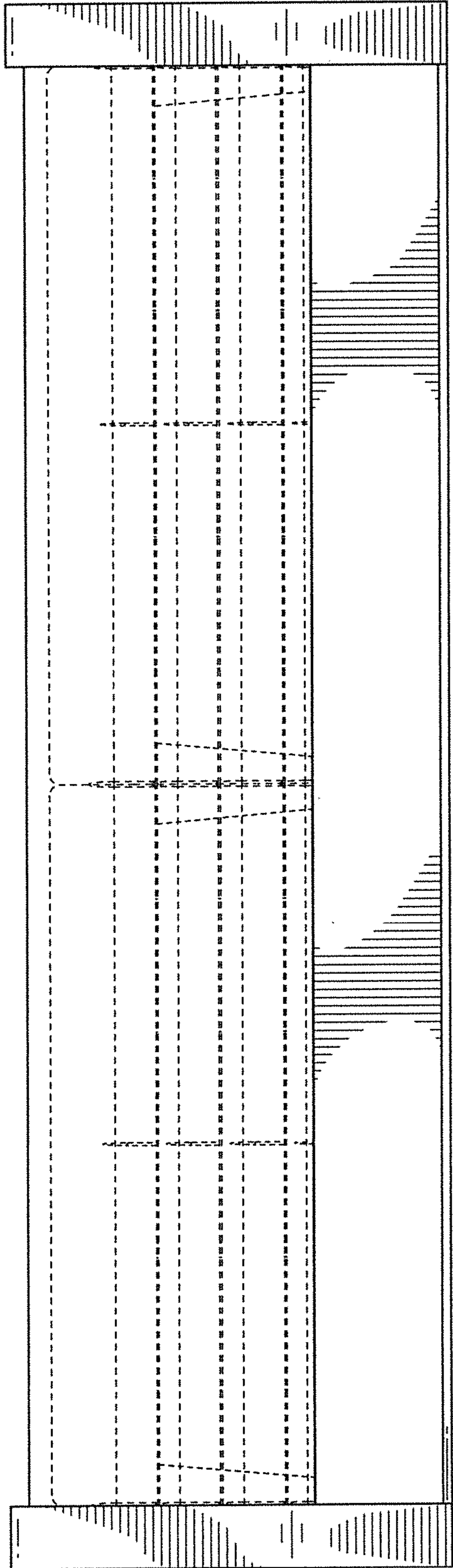


FIG. 17

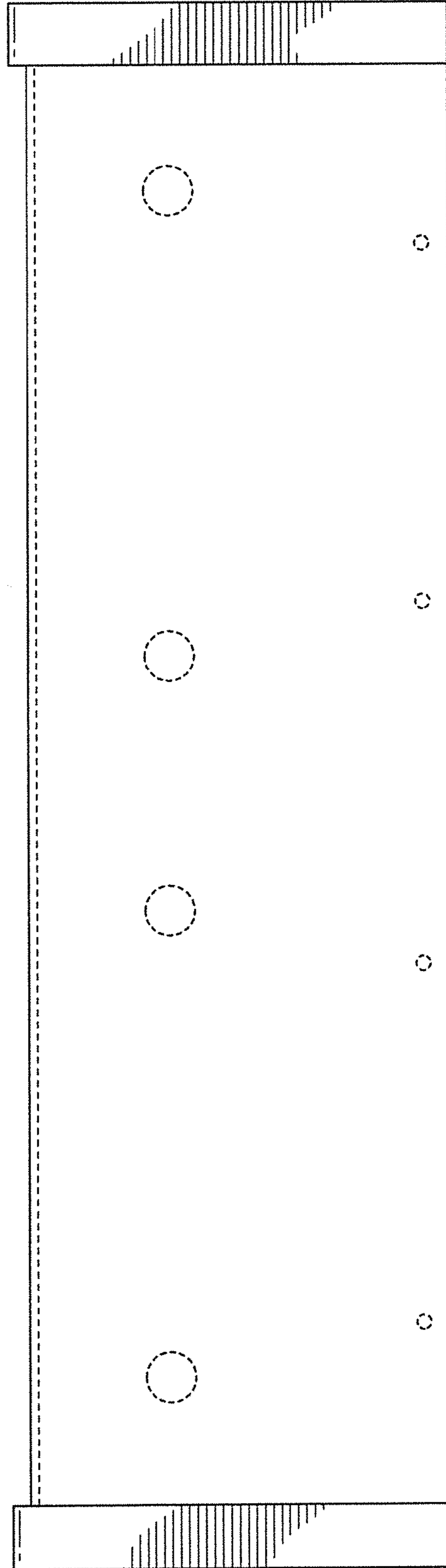


FIG. 18

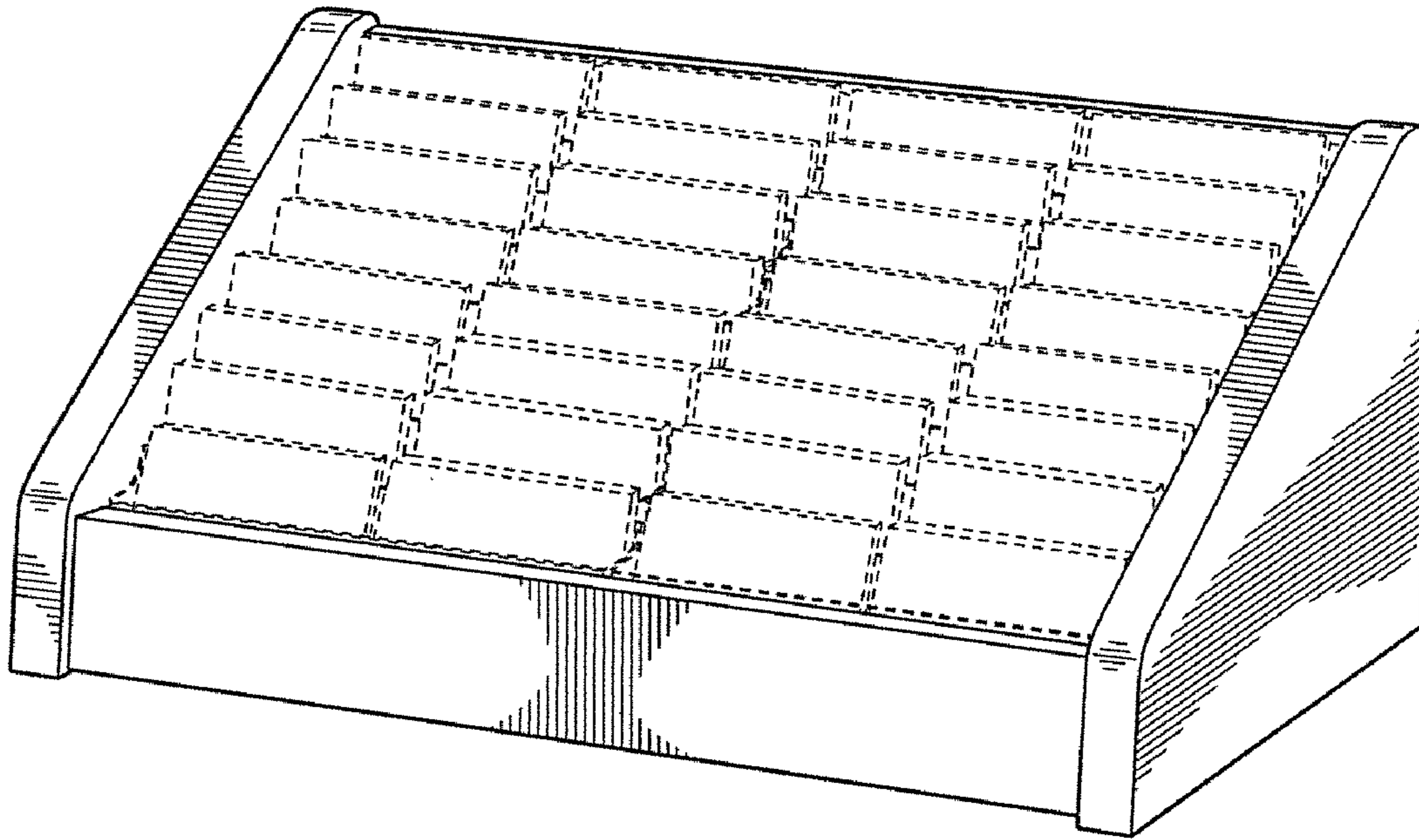


FIG. 19

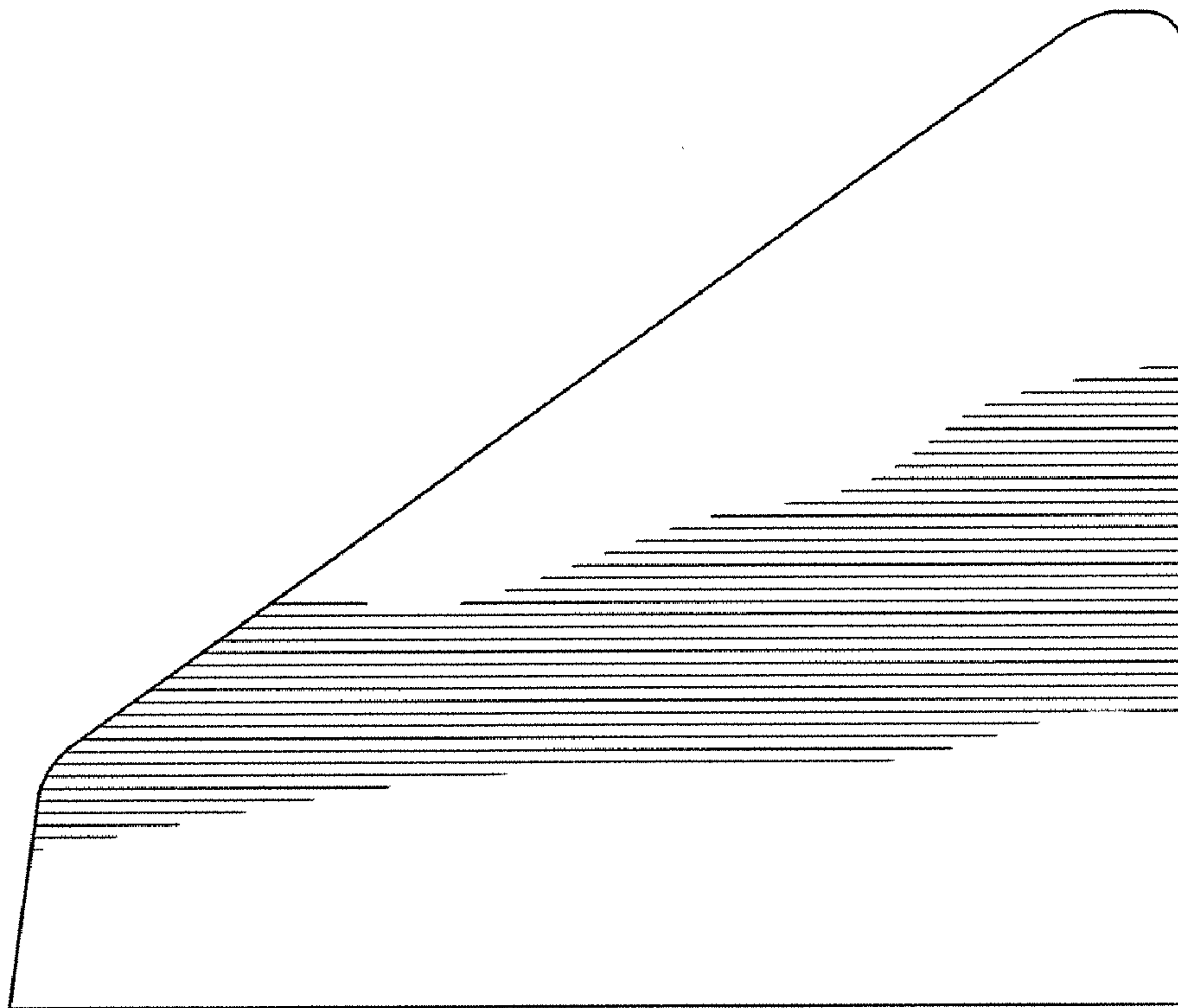


FIG. 20

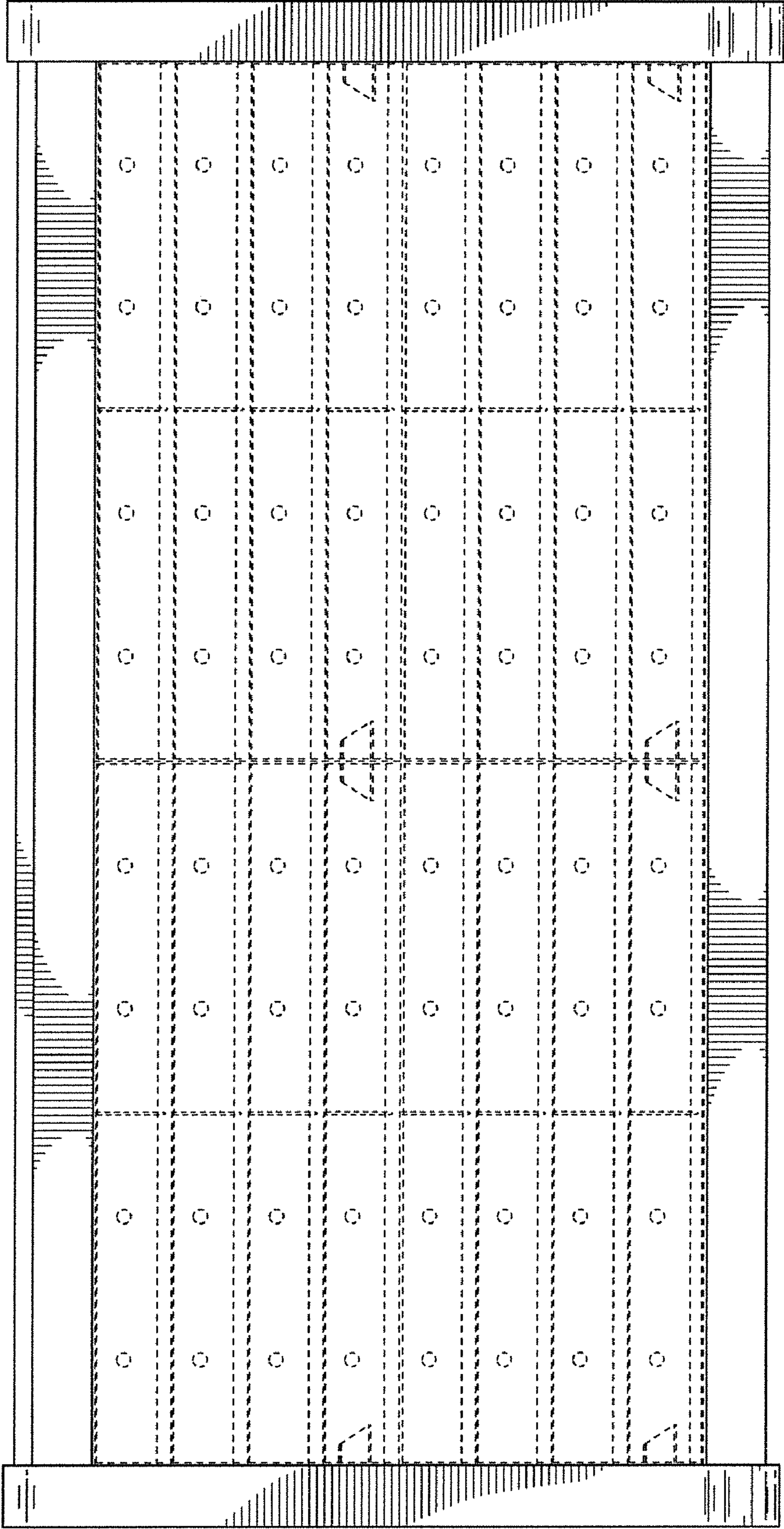


FIG. 21

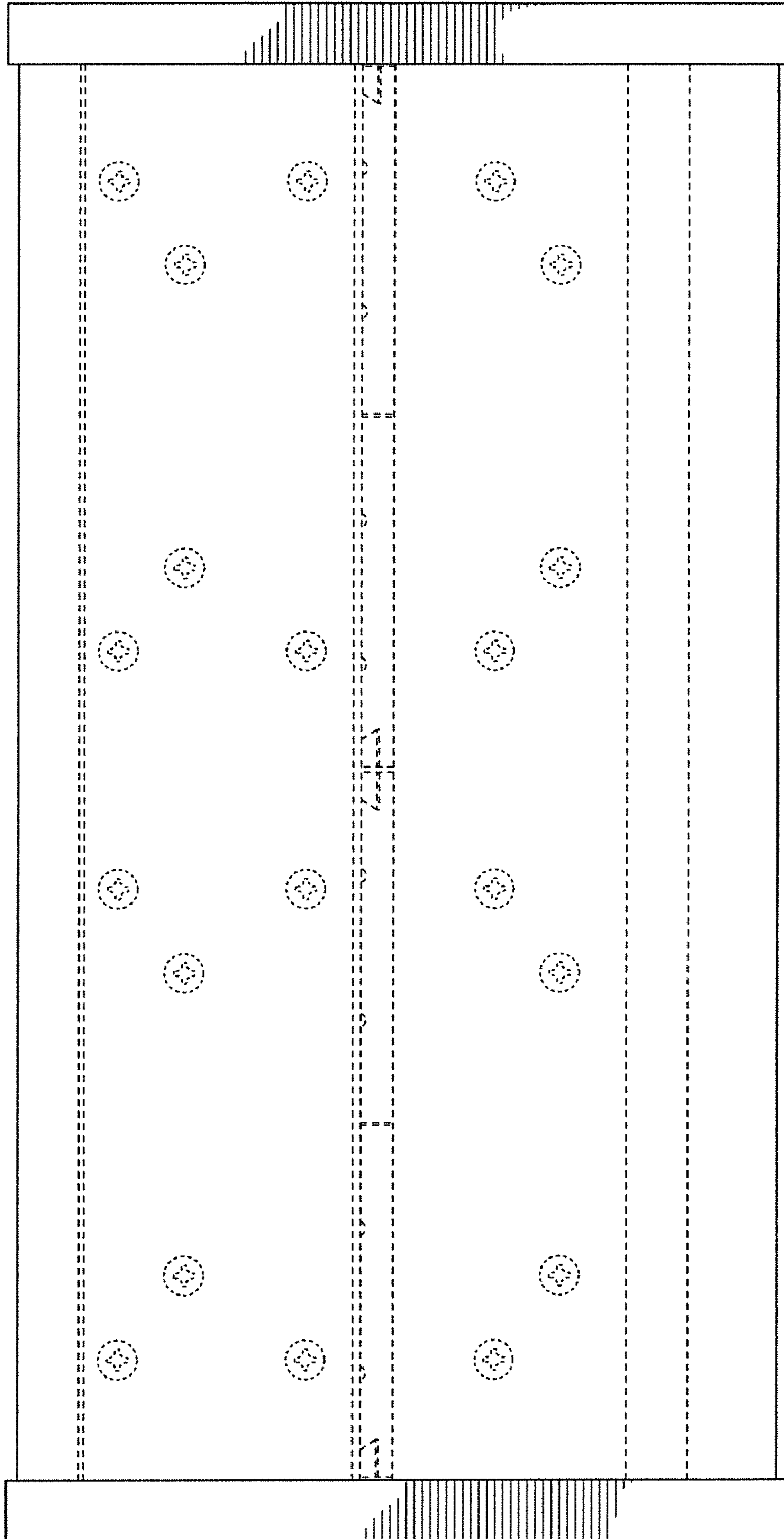


FIG. 22

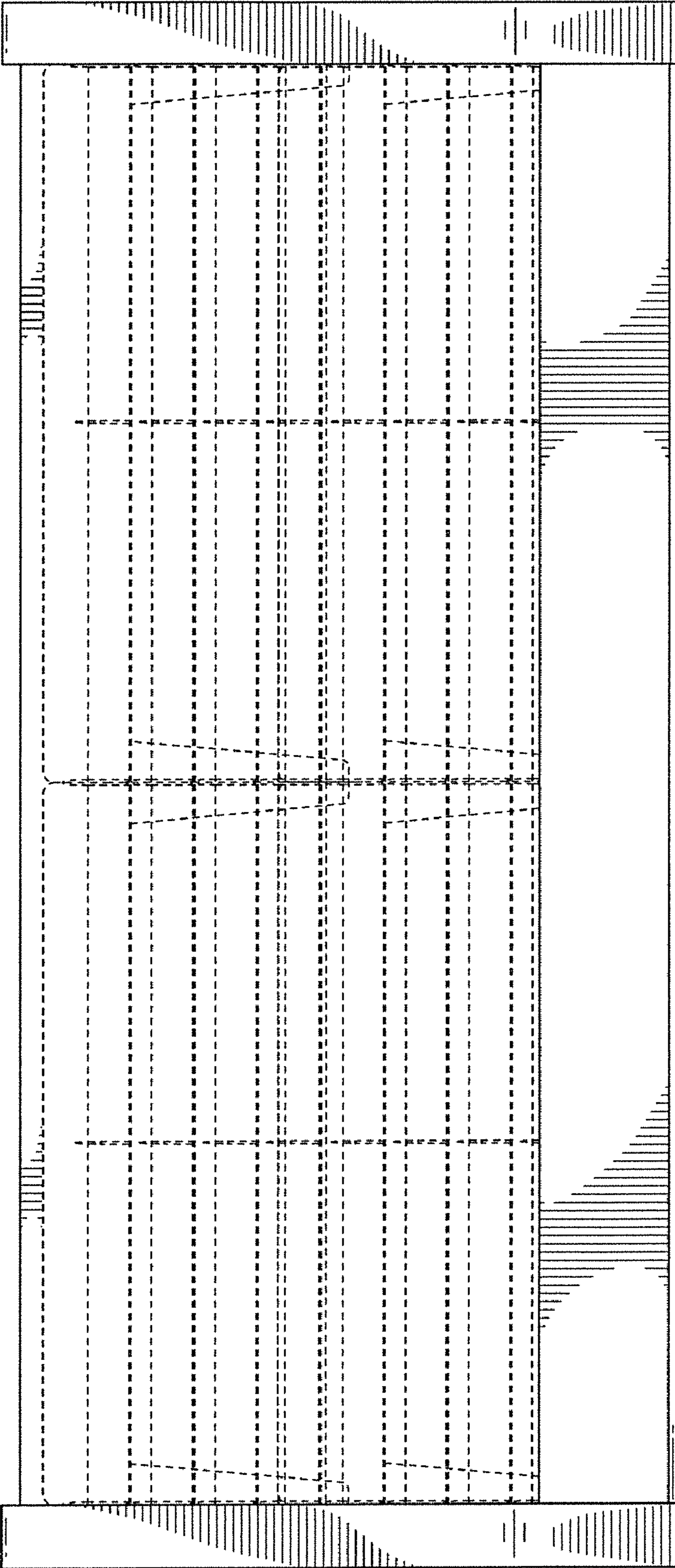


FIG. 23

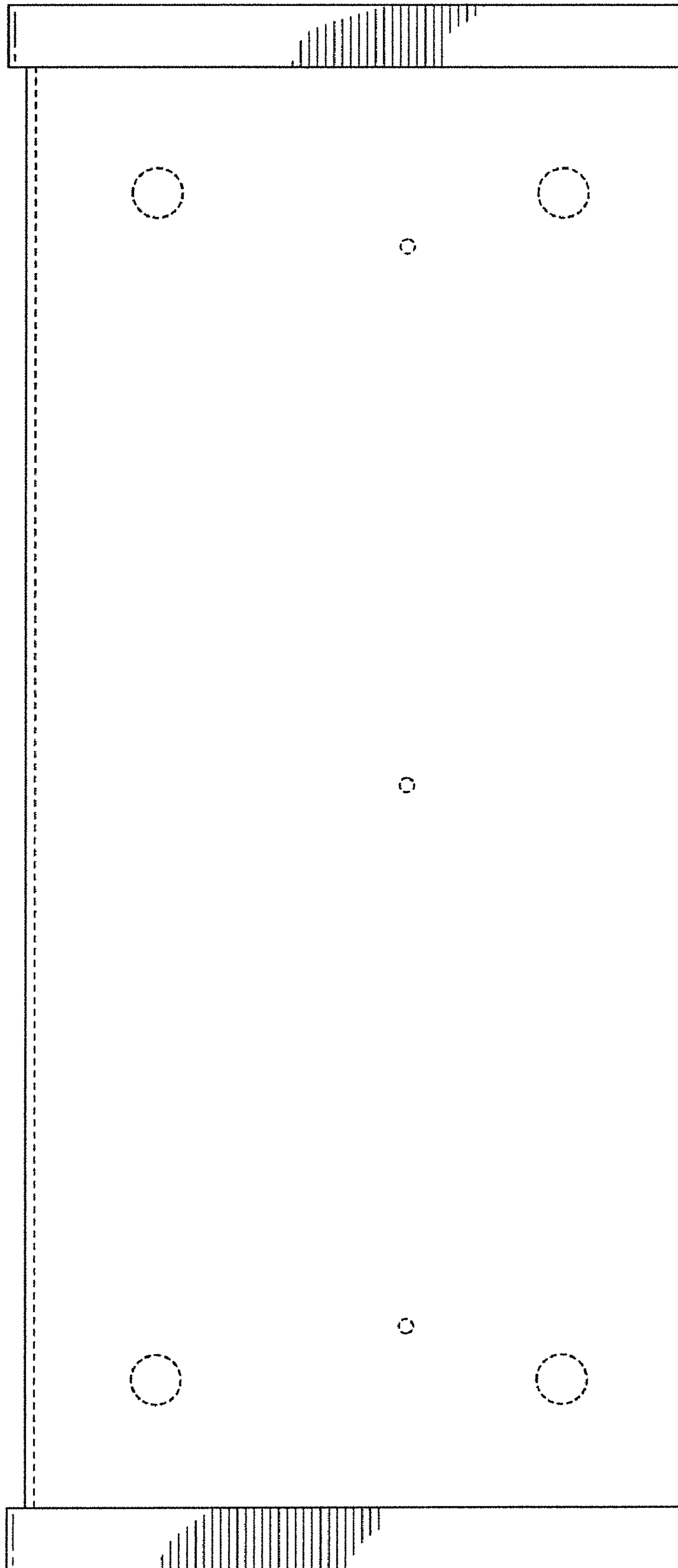


FIG. 24

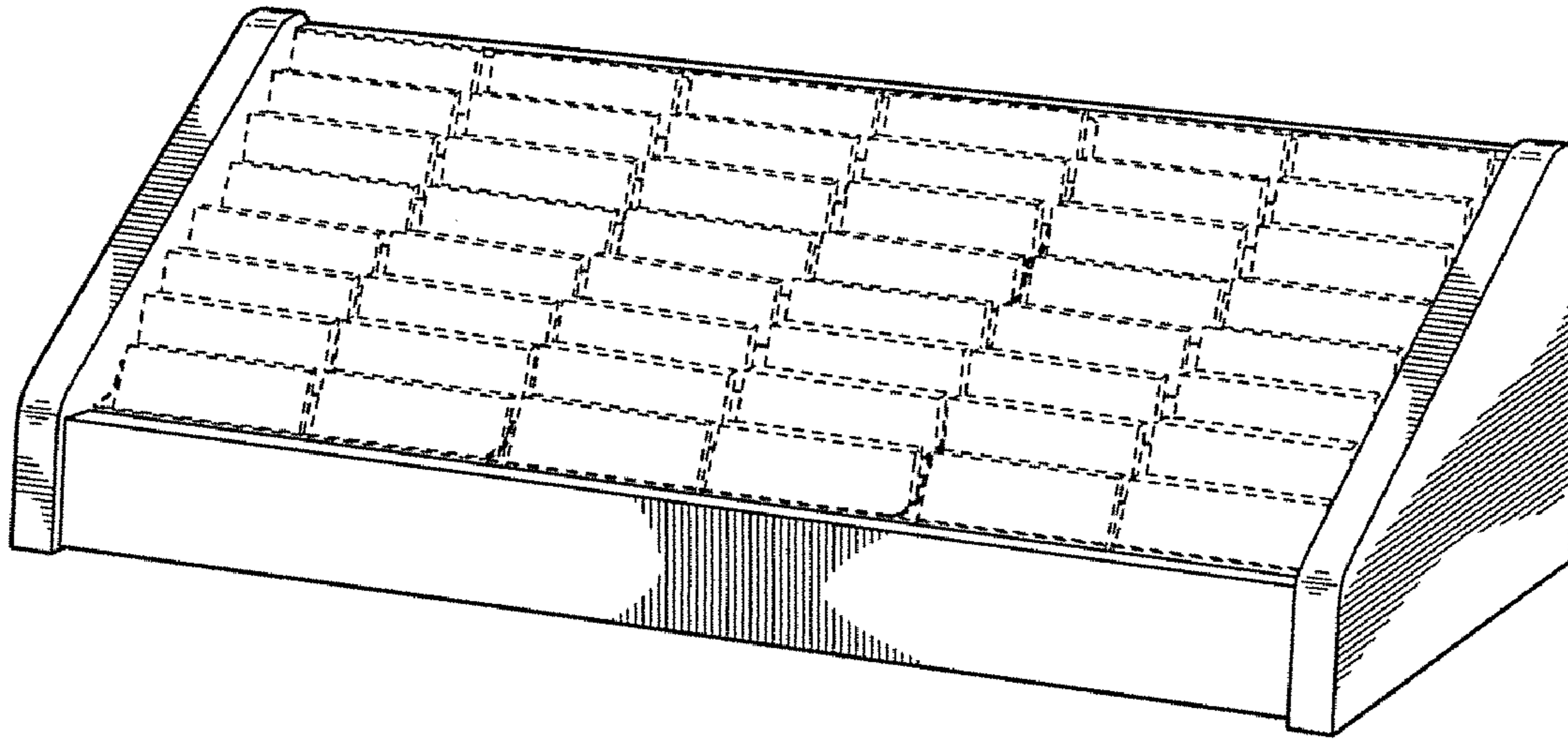


FIG. 25

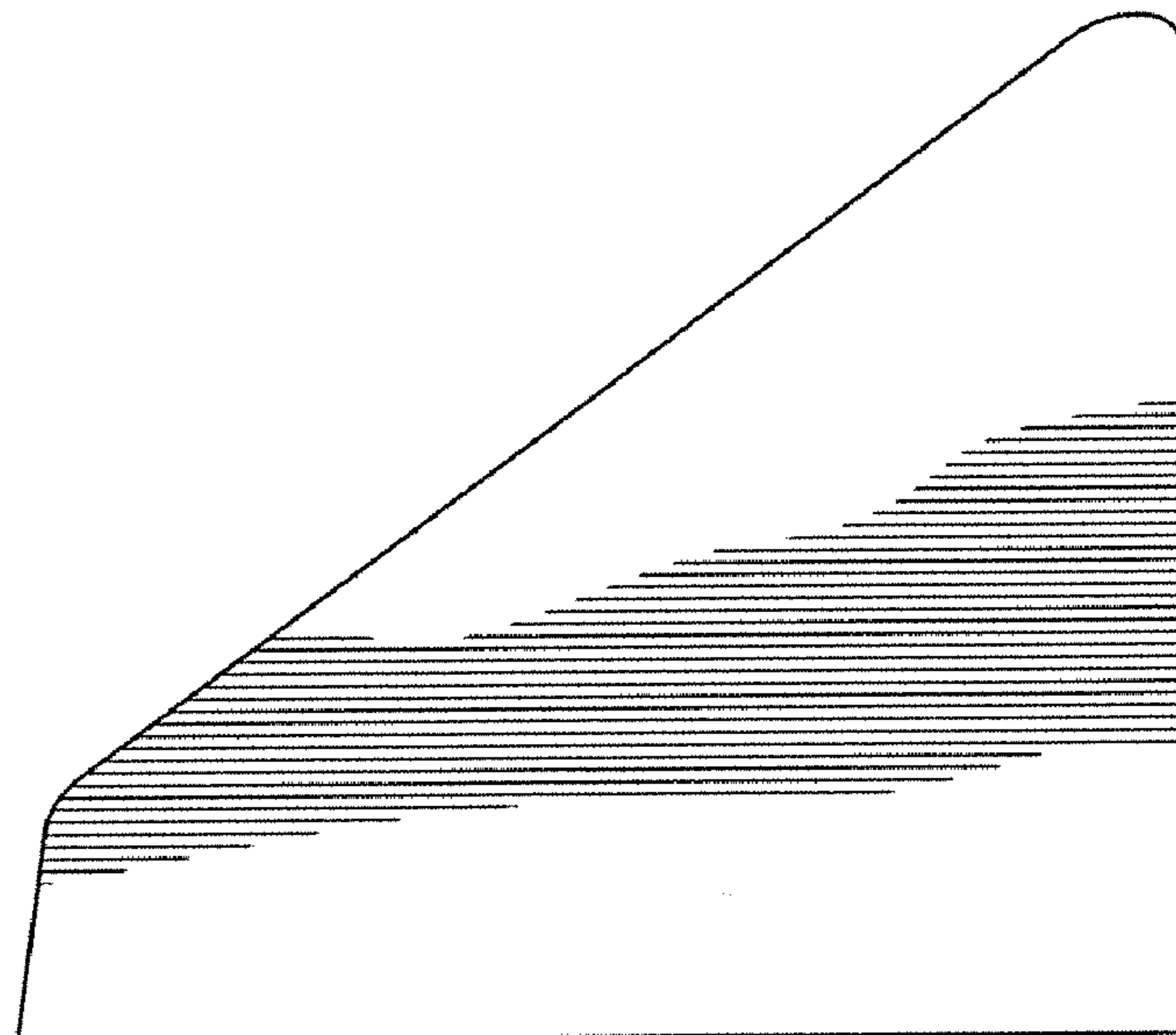


FIG. 26

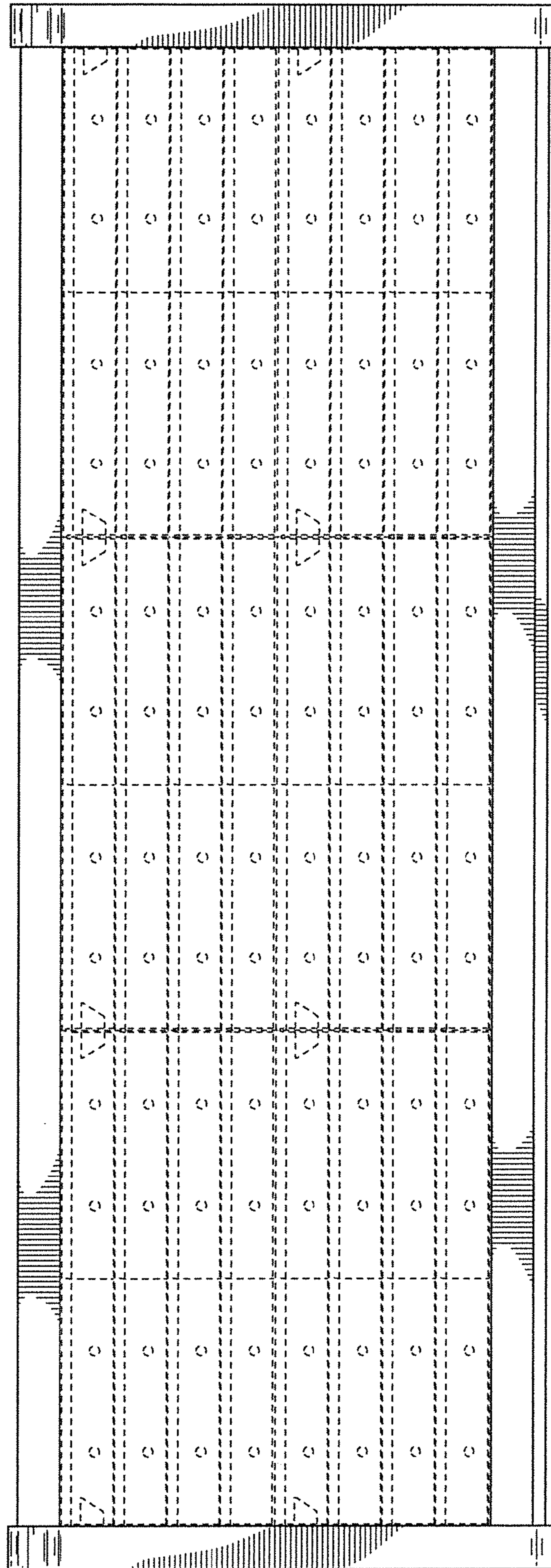


FIG. 27

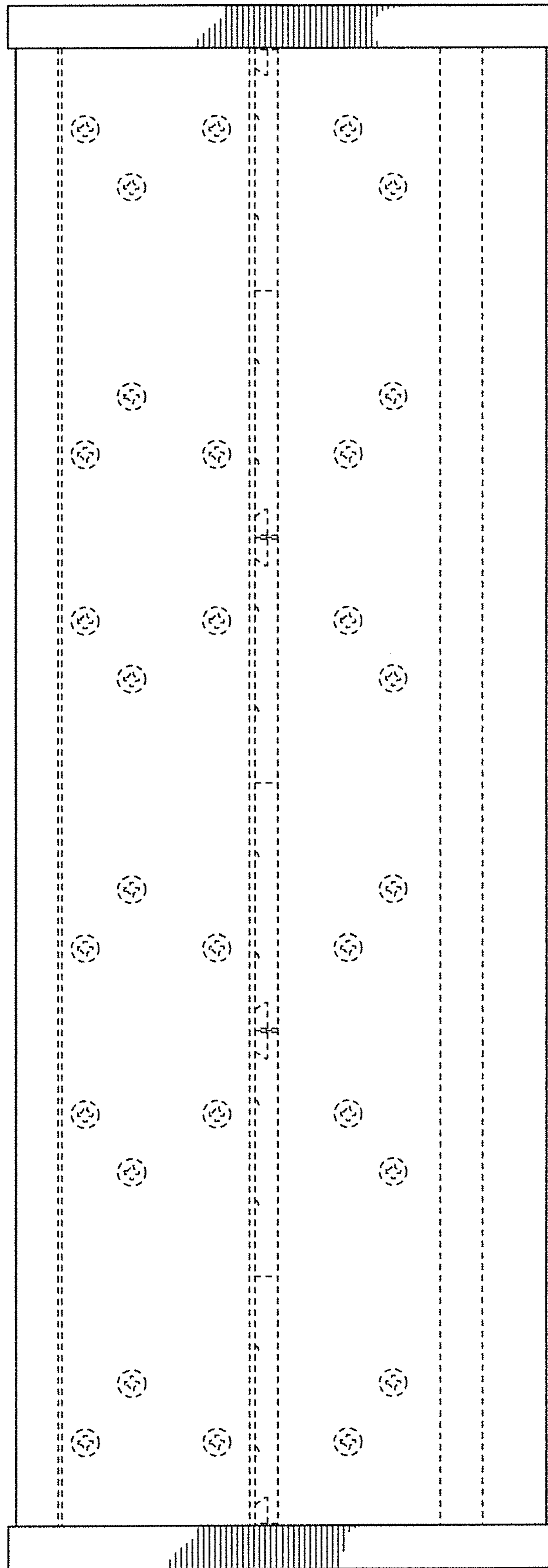


FIG. 28

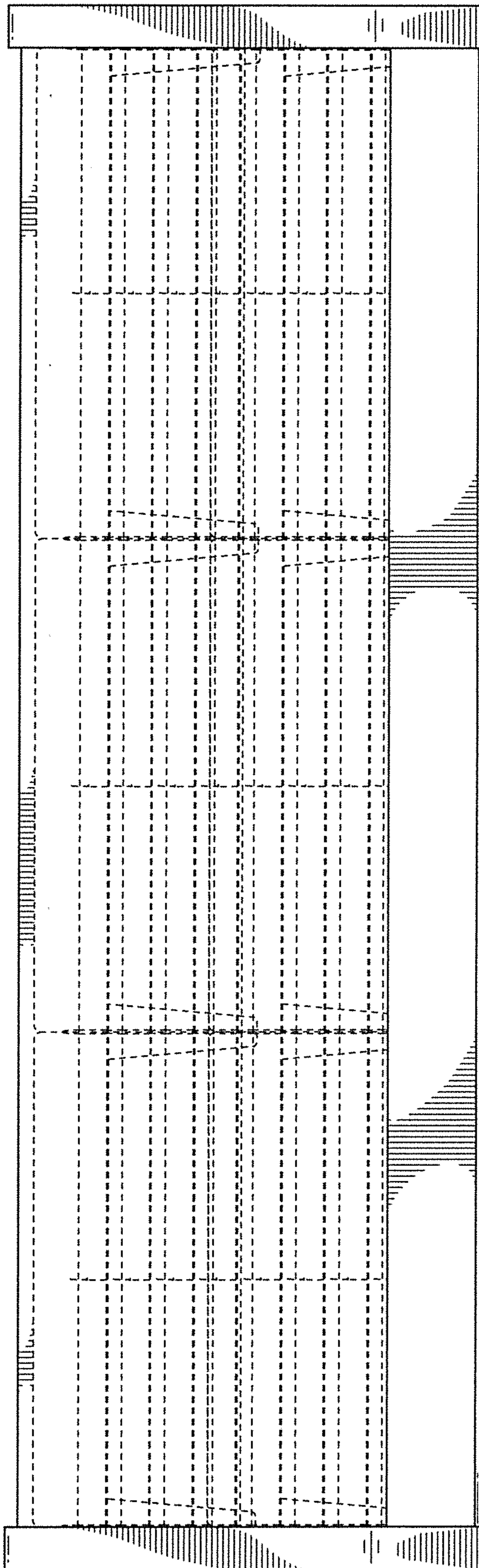


FIG. 29

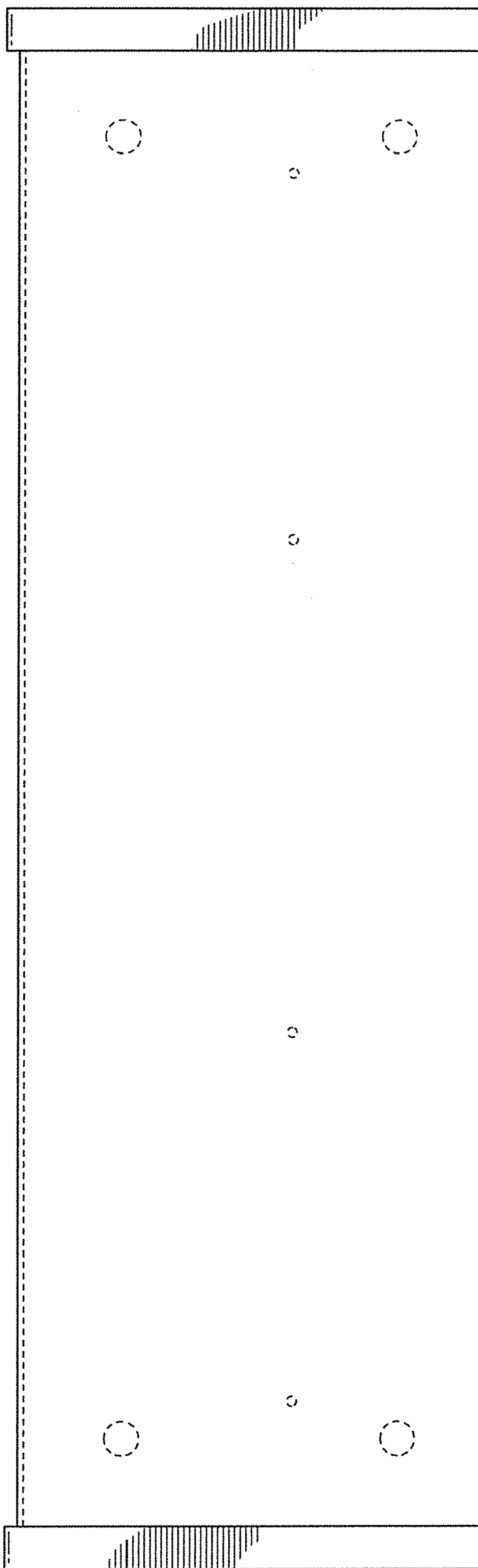


FIG. 30