



US00D674210S

(12) **United States Design Patent**
Citterio

(10) **Patent No.:** **US D674,210 S**
(45) **Date of Patent:** **** Jan. 15, 2013**

- (54) **SOFA**
 - (75) Inventor: **Antonio Citterio**, Milan (IT)
 - (73) Assignee: **B&B Italia S.p.A.**, Milan (IT)
 - (**) Term: **14 Years**
 - (21) Appl. No.: **29/377,198**
 - (22) Filed: **Oct. 18, 2010**
 - (51) **LOC (9) Cl.** **06-01**
 - (52) **U.S. Cl.** **D6/381**
 - (58) **Field of Classification Search** D6/334-338,
D6/349, 355, 361, 368-370, 376, 379-381,
D6/492, 500-502; 297/16.1, 42, 94, 135,
297/175, 232, 233, 350, 351, 445.1, 448.1,
297/448.2, 451.9; 5/12.1, 12.2
- See application file for complete search history.

- D590,179 S * 4/2009 Natuzzi D6/381
- D592,882 S * 5/2009 Natuzzi D6/381
- D600,040 S * 9/2009 Natuzzi D6/381
- D600,938 S * 9/2009 Natuzzi D6/381
- D603,620 S * 11/2009 Natuzzi D6/381
- D618,471 S * 6/2010 Natuzzi D6/381
- D628,403 S * 12/2010 Starck D6/381
- D640,480 S * 6/2011 Bush D6/381
- D640,481 S * 6/2011 Bush D6/381

* cited by examiner

Primary Examiner — Sandra Snapp

(74) *Attorney, Agent, or Firm* — Mintz, Levin, Cohn, Ferris,
Glovsky and Popeo, P.C.

(56) **References Cited**

U.S. PATENT DOCUMENTS

- D489,195 S * 5/2004 Natuzzi D6/381
- D494,376 S * 8/2004 Natuzzi D6/381
- D525,044 S * 7/2006 Natuzzi D6/381
- D527,541 S * 9/2006 Natuzzi D6/381
- D540,062 S * 4/2007 Natuzzi D6/381
- D541,075 S * 4/2007 Natuzzi D6/381
- D547,084 S * 7/2007 Natuzzi D6/381
- D549,483 S * 8/2007 Natuzzi D6/381

(57) **CLAIM**

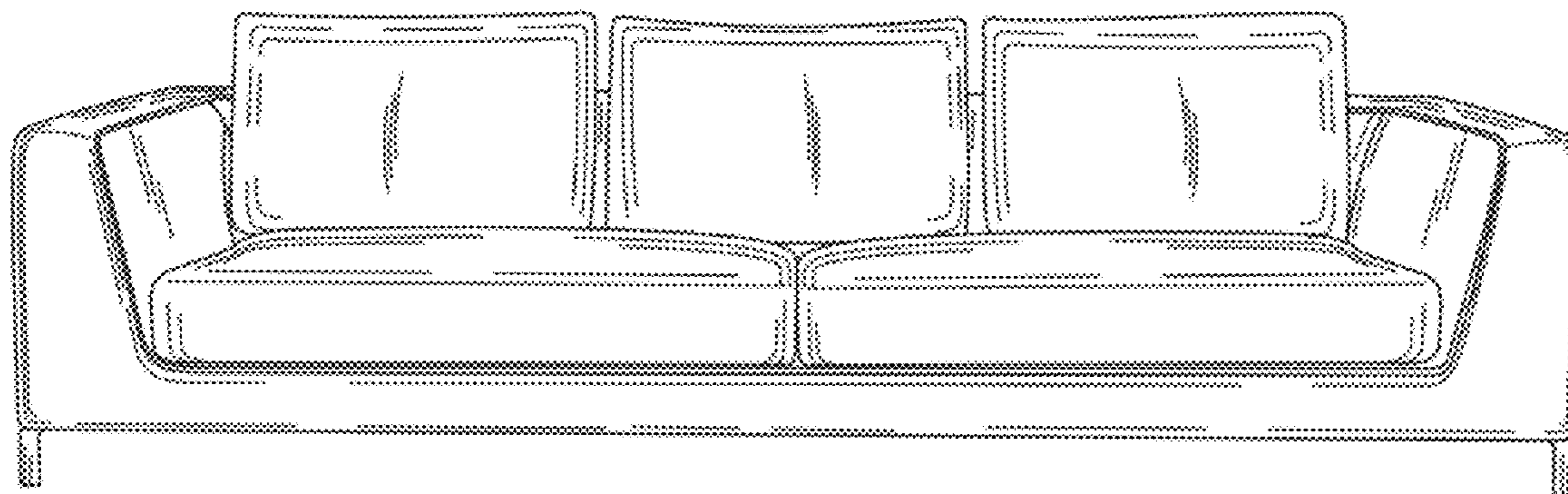
The ornamental design for a sofa, as shown and described.

DESCRIPTION

FIG. 1 is a front perspective view of a sofa;
 FIG. 2 is a back perspective view of a sofa;
 FIG. 3 is a side perspective view of a sofa;
 FIG. 4 is a top perspective view of a sofa; and,
 FIG. 5 is a bottom view of a sofa.

The broken lines shown in the drawing disclosure are for illustrative purposes only and form no part of the claimed design.

1 Claim, 5 Drawing Sheets



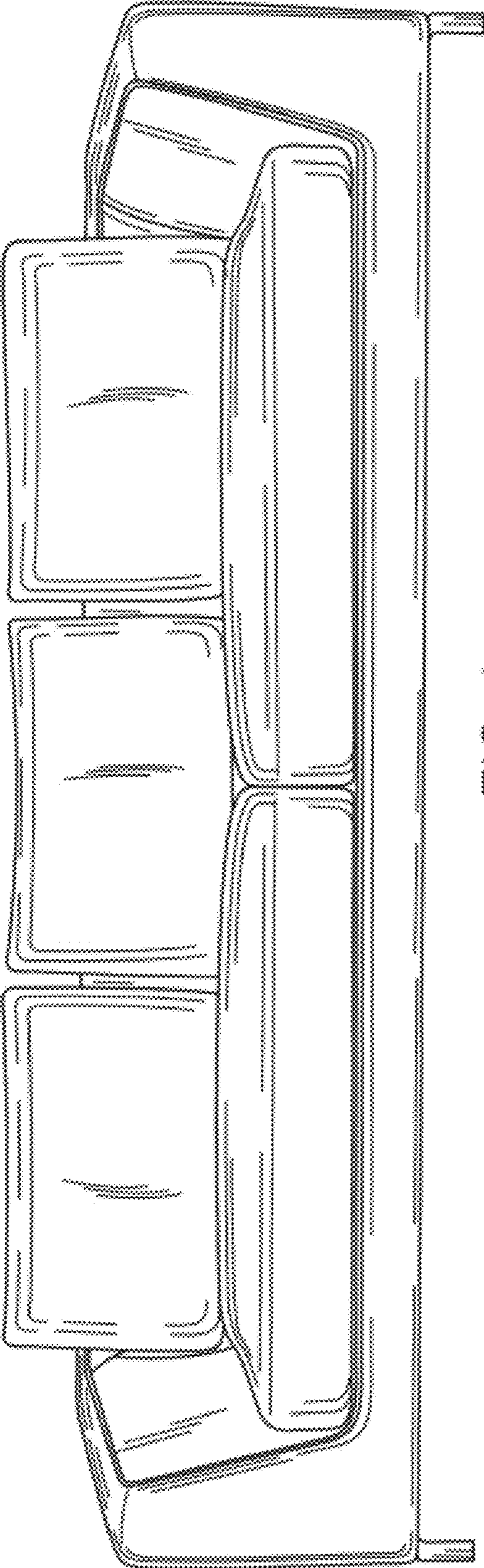


FIG. 1

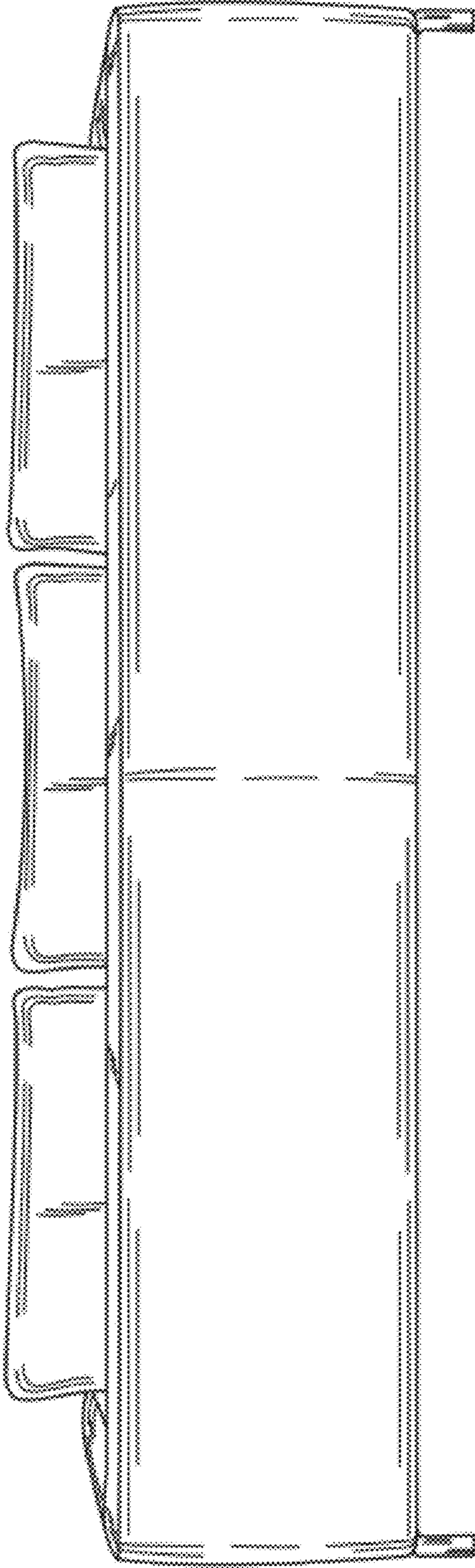


FIG. 2

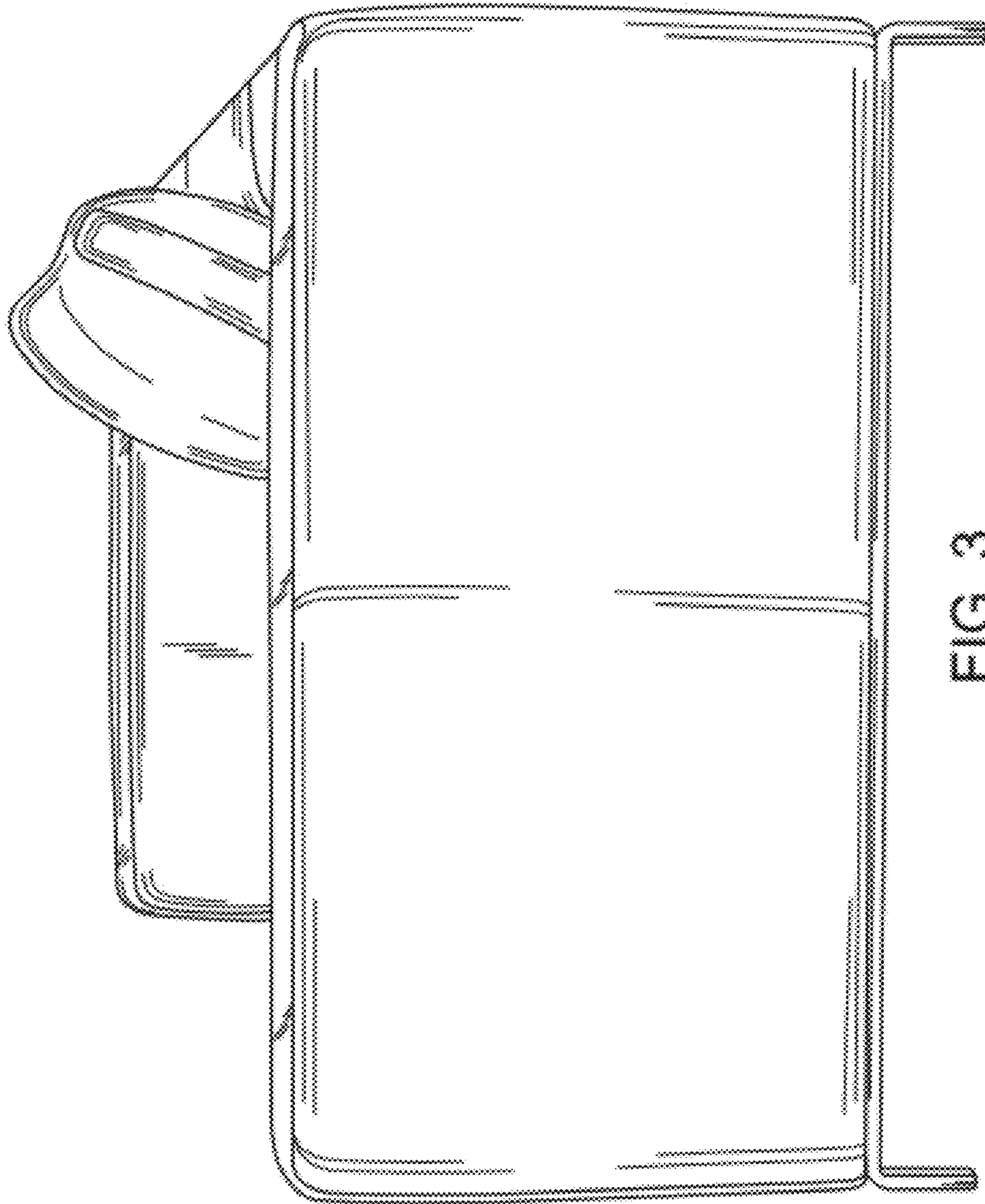


FIG. 3

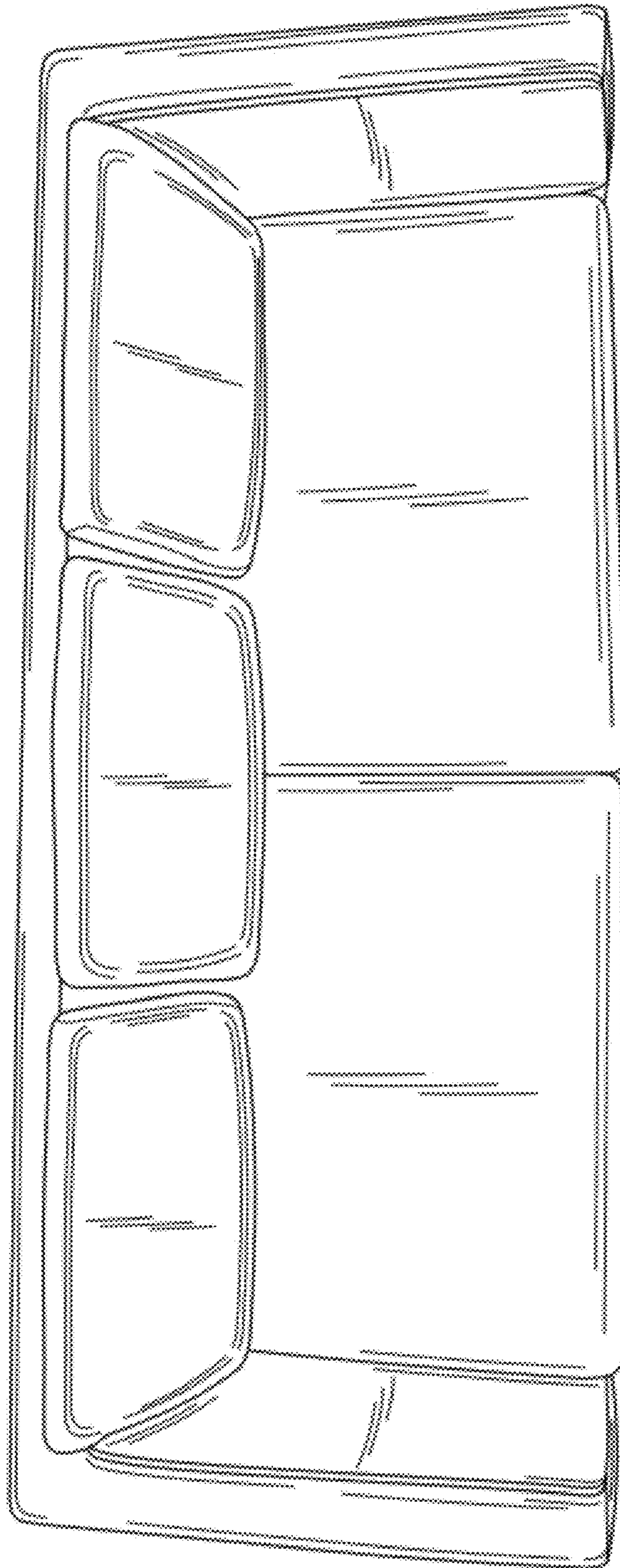


FIG. 4

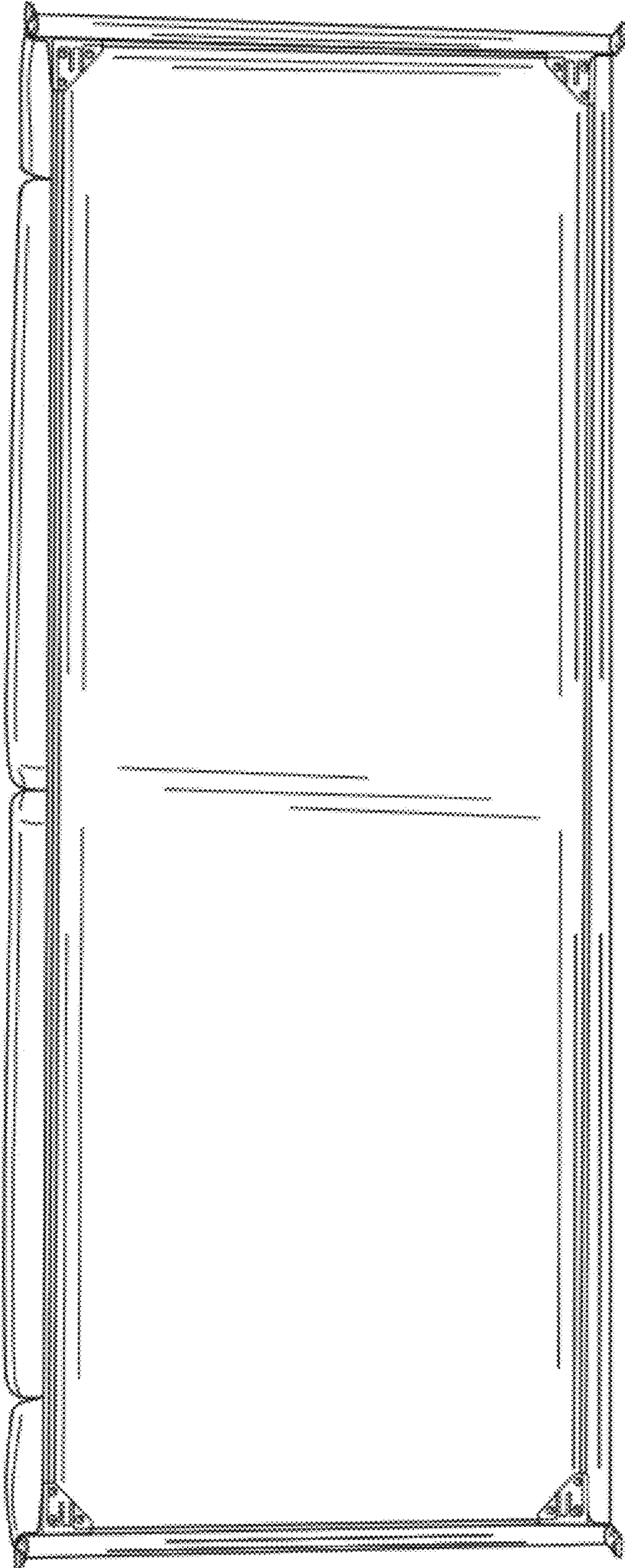


FIG. 5