



US00D674208S

(12) **United States Design Patent**
Bartlmae

(10) **Patent No.:** **US D674,208 S**

(45) **Date of Patent:** **** Jan. 15, 2013**

(54) **STACKABLE CHAIR**

(76) **Inventor:** **Kerstin Bartlmae, S.Margherita Lig.**
(IT)

(**) **Term:** **14 Years**

(21) **Appl. No.:** **29/401,101**

(22) **Filed:** **Sep. 7, 2011**

(51) **LOC (9) Cl.** **06-01**

(52) **U.S. Cl.** **D6/370; D6/380**

(58) **Field of Classification Search** D6/334-336,
D6/360, 370, 374, 375, 376, 379, 380, 500-502;
297/239, 445.1, 446.1, 446.2, 452.2, 452.63
See application file for complete search history.

(56) **References Cited**

U.S. PATENT DOCUMENTS

D102,978 S *	2/1937	Baum	D6/370
D195,256 S *	5/1963	Anderson et al.	D6/374
D205,658 S *	9/1966	Muller	D6/374
D289,469 S *	4/1987	Tonon	D6/379
D356,696 S *	3/1995	Arthur, Jr.	D6/376
D411,694 S *	6/1999	Bartlmae	D6/380
D429,911 S *	8/2000	Bartlmae	D6/380

D468,926 S *	1/2003	Bongaerts	D6/380
D485,081 S *	1/2004	Bongaerts	D6/360
D502,331 S *	3/2005	Socha et al.	D6/374

* cited by examiner

Primary Examiner — Mimoso De

(74) *Attorney, Agent, or Firm* — SAIDMAN DesignLaw Group

(57) **CLAIM**

The ornamental design for a stackable chair, as shown and described.

DESCRIPTION

FIG. 1 is a perspective view of a stackable chair showing my new design;

FIG. 2 is a front view thereof;

FIG. 3 is a rear view thereof;

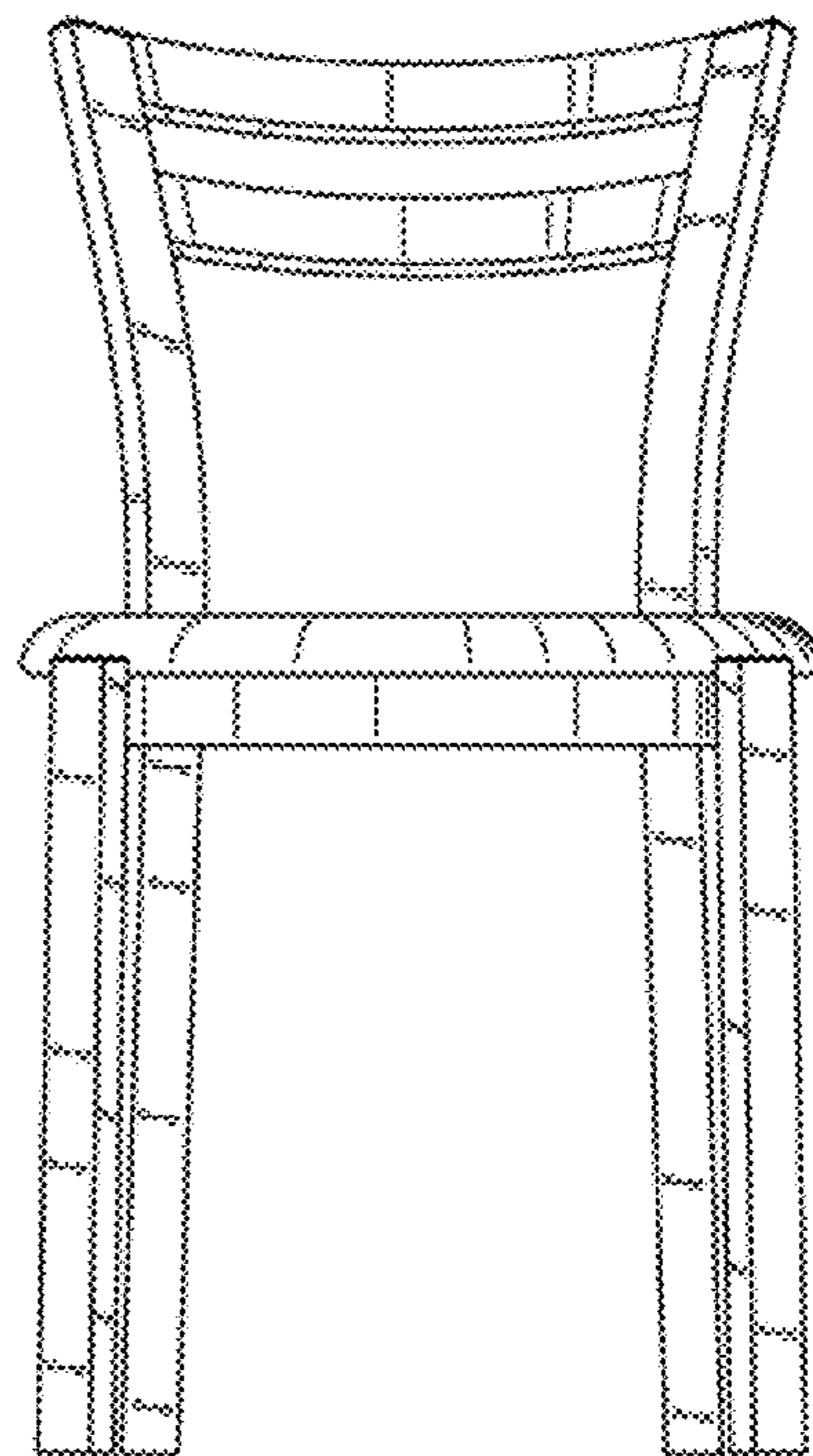
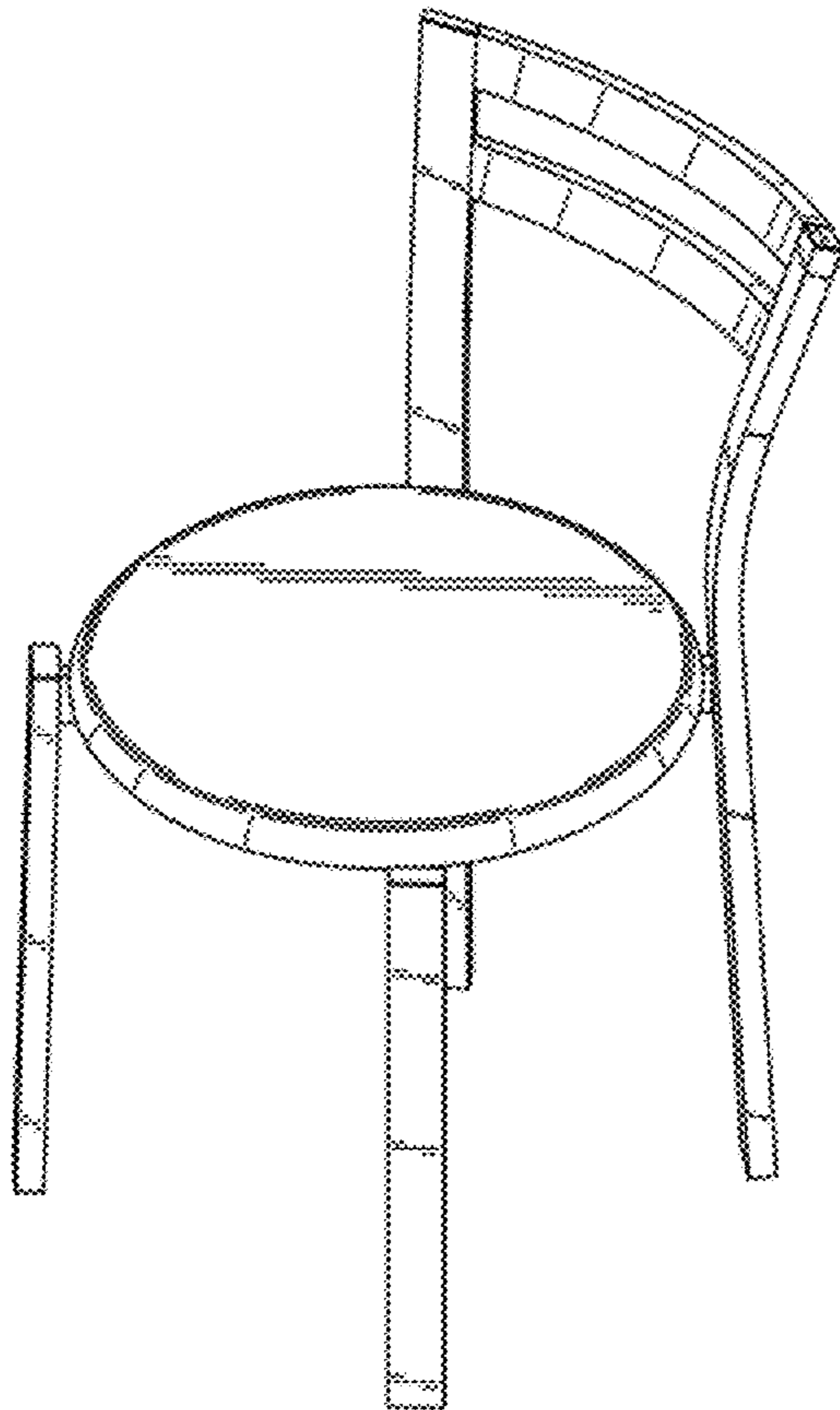
FIG. 4 is a right side view thereof, the left side view being a mirror image thereof;

FIG. 5 is a top view thereof; and,

FIG. 6 is a bottom view thereof.

The broken lines illustrate portions of the stackable chair and form no part of the claimed design.

1 Claim, 3 Drawing Sheets



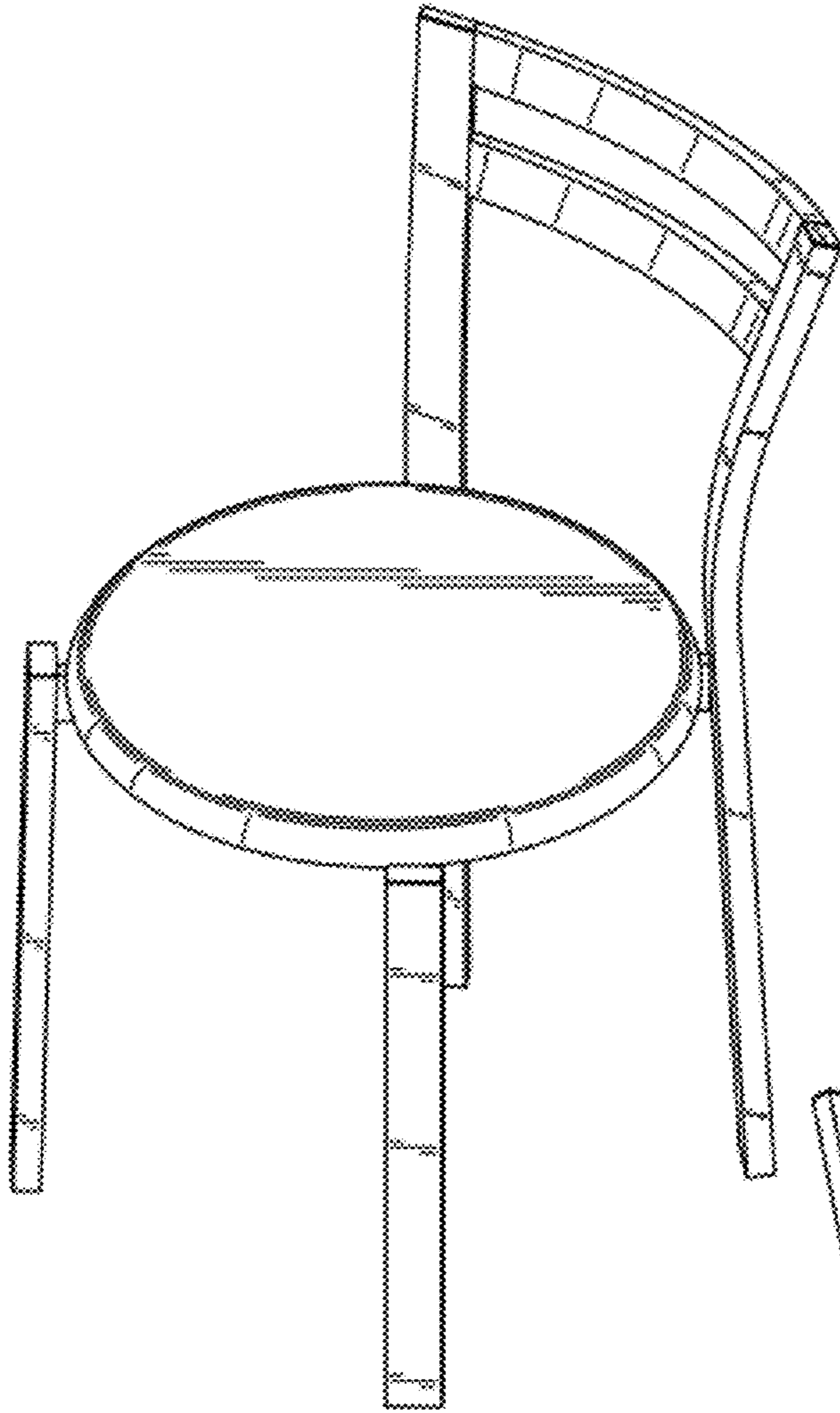


Fig. 1

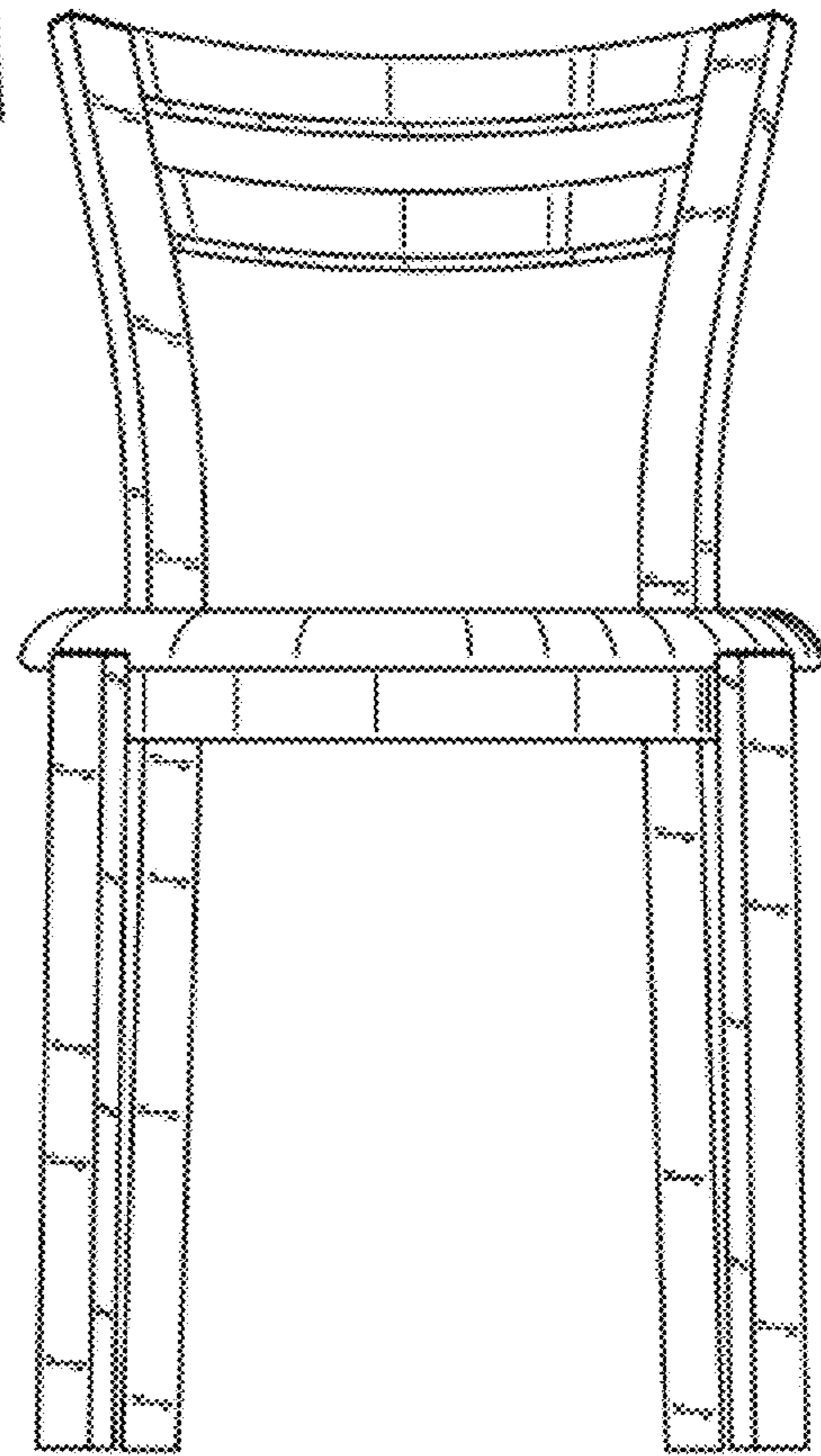


Fig. 2

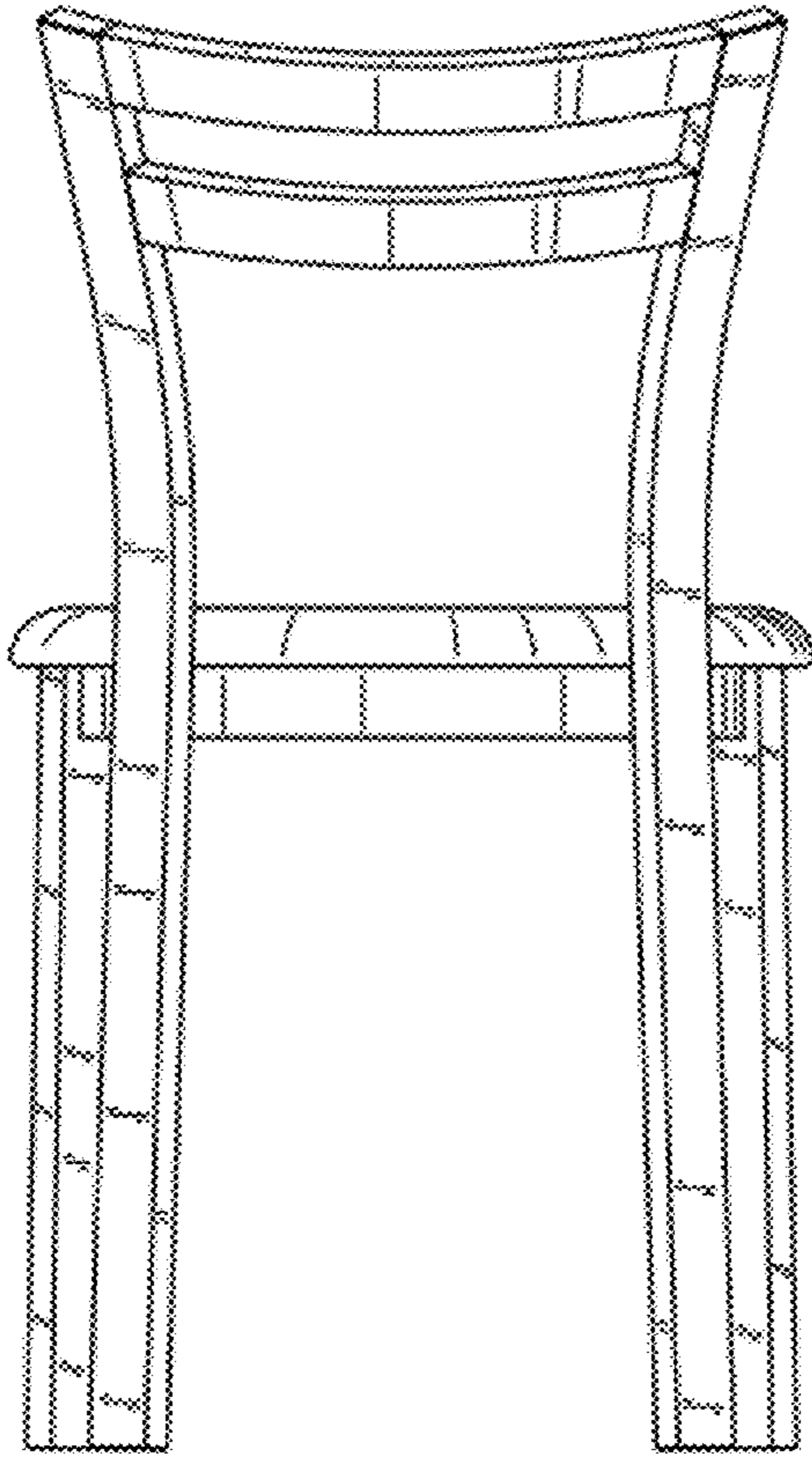


Fig. 3

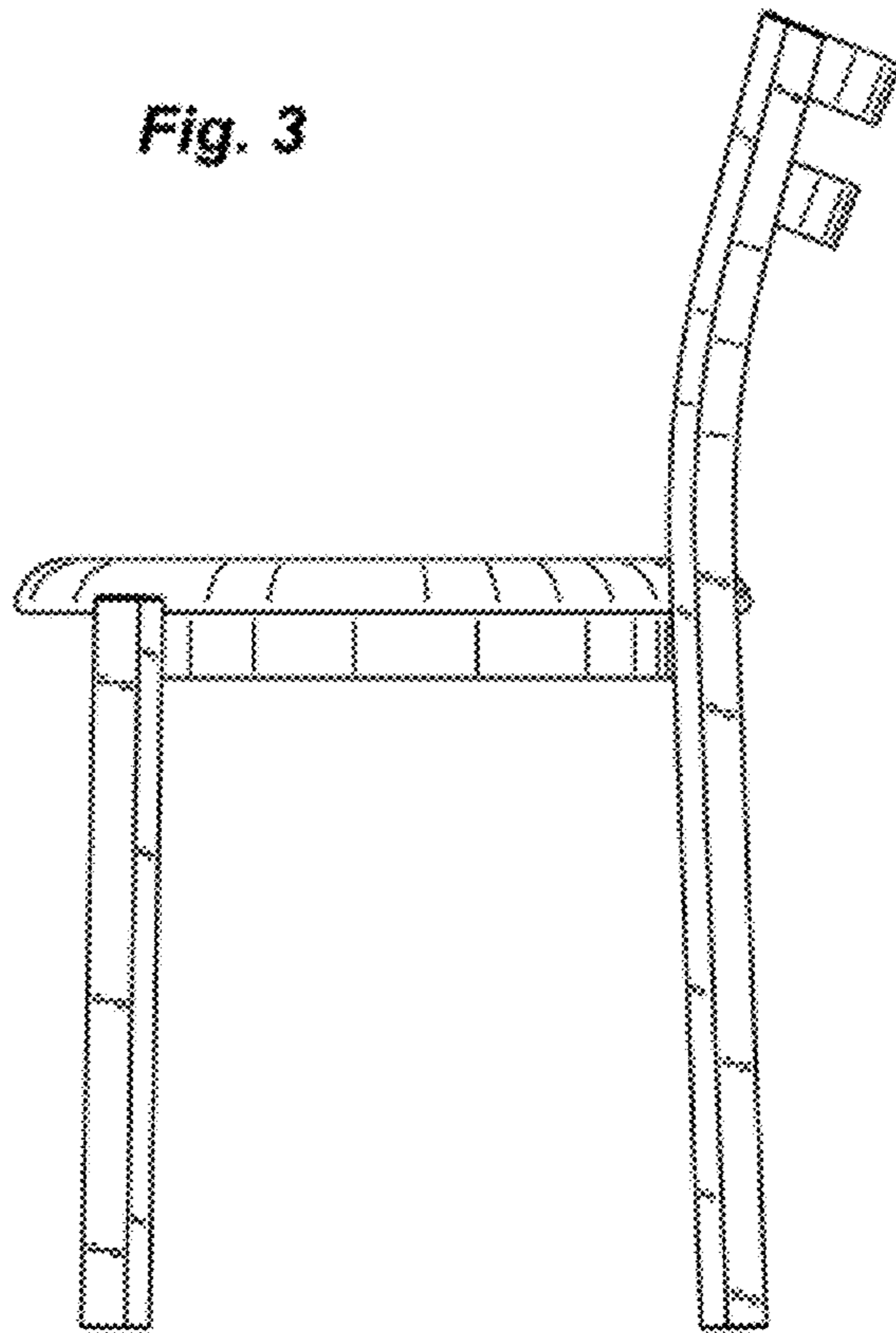


Fig. 4

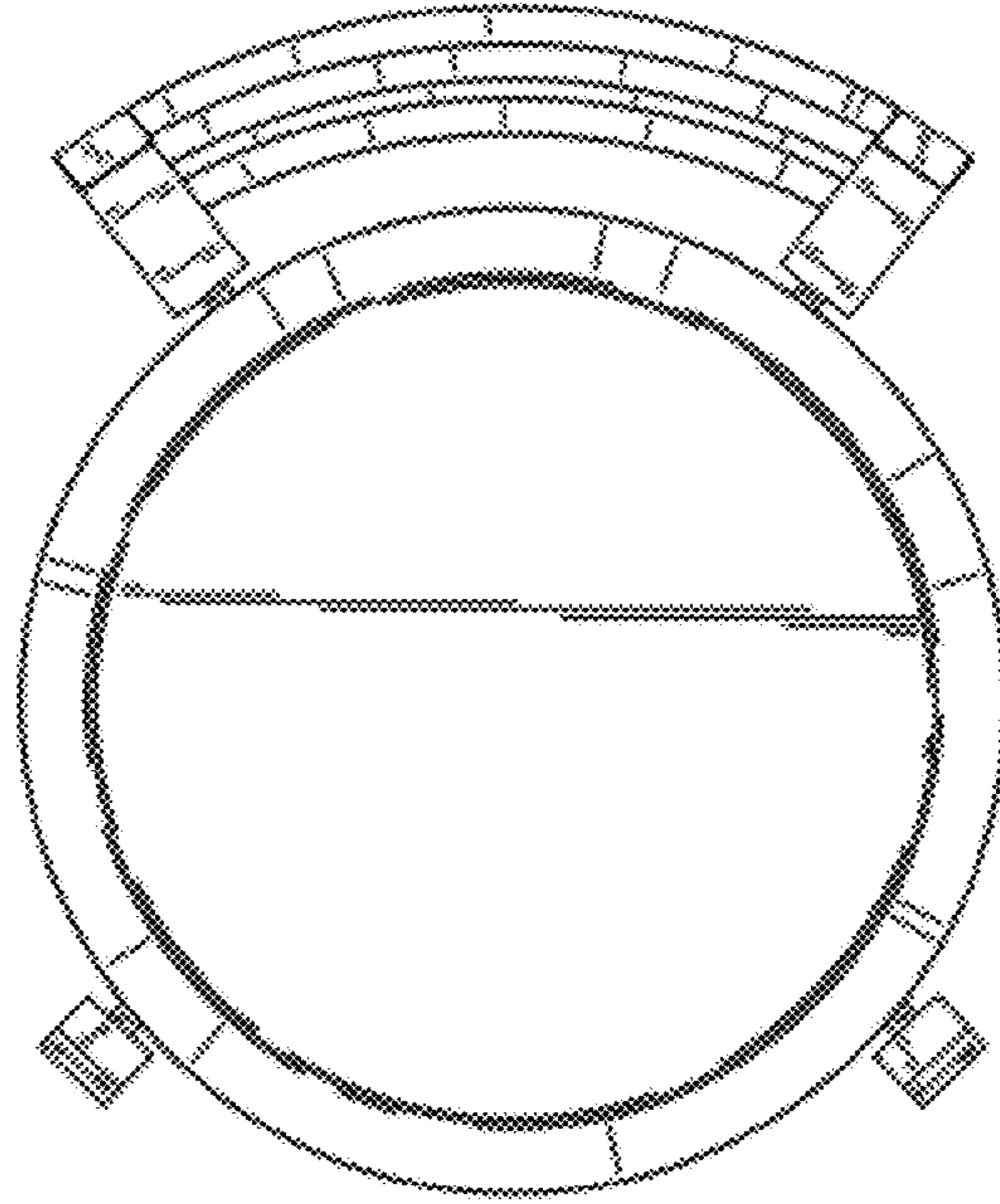


Fig. 5

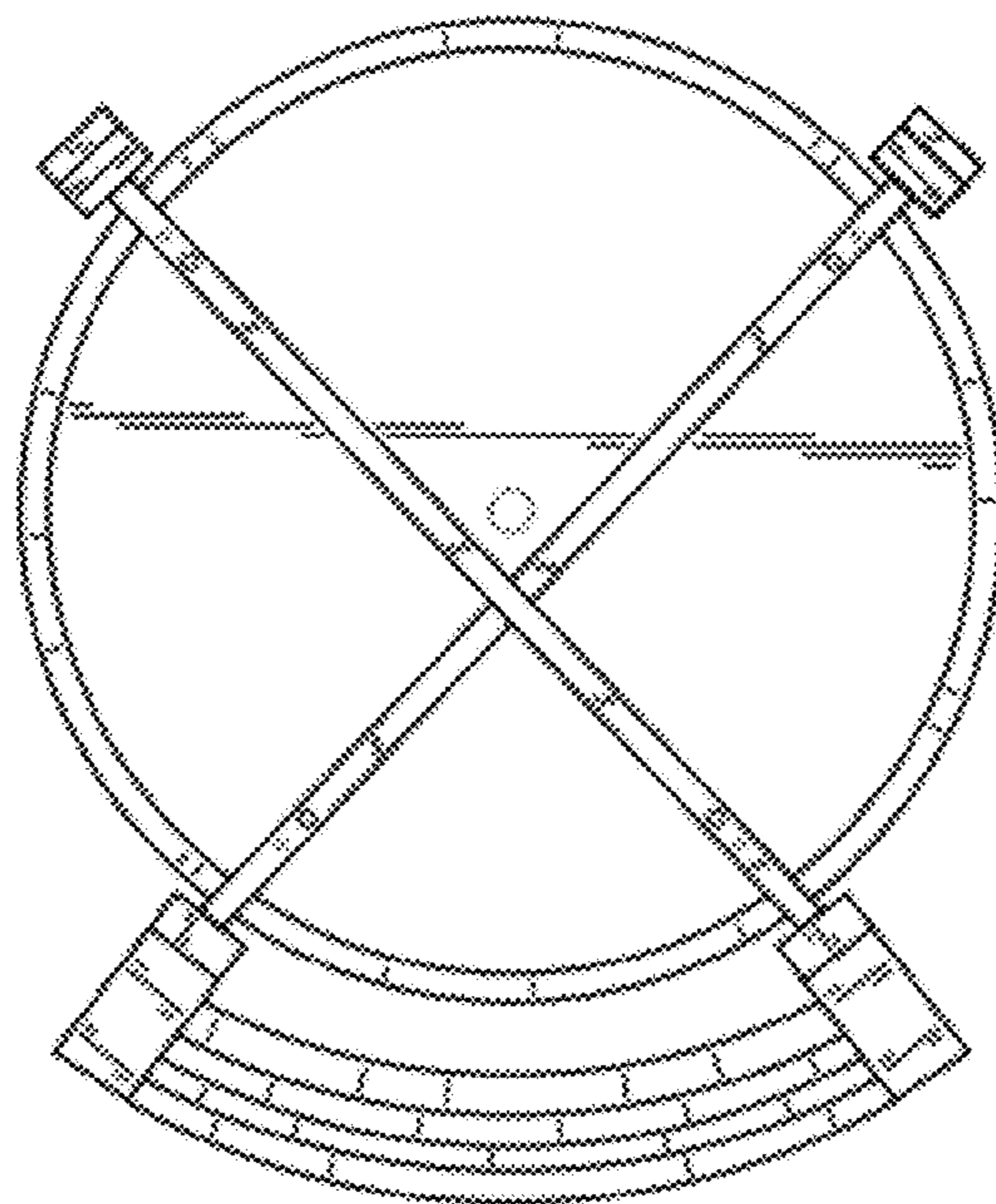


Fig. 6