



US00D674197S

(12) **United States Design Patent**  
**Kassem Llano et al.**

(10) **Patent No.:** **US D674,197 S**  
(45) **Date of Patent:** **\*\* Jan. 15, 2013**

(54) **BROOM**

(75) Inventors: **Adel M. Kassem Llano**, Milan (IT);  
**Giuseppe De Bellis**, San Donato  
Milanese (IT); **Martin E. Broen**, Milan  
(IT); **Lizabeth W. Dretzka**, Woodbury,  
MN (US); **Valentina Tronconi**, Milan  
(IT)

(73) Assignee: **3M Innovative Properties Company**,  
St. Paul, MN (US)

(\*\*) Term: **14 Years**

(21) Appl. No.: **29/405,677**

(22) Filed: **Nov. 4, 2011**

(51) **LOC (9) Cl.** ..... **04-99**

(52) **U.S. Cl.** ..... **D4/199**

(58) **Field of Classification Search** ..... D4/130,  
D4/132, 135, 137, 138, 199; D32/50-52;  
15/145, 146, 159.1, 160, 167.3, 171, 176.1,  
15/176.2, 191.1, 192, 193

See application file for complete search history.

(56) **References Cited**

**U.S. PATENT DOCUMENTS**

D293,165 S *	12/1987	Machacek	.....	D4/135
D417,325 S *	11/1999	Tintelnot	.....	D32/50
D455,562 S *	4/2002	Libman	.....	D4/199
D456,617 S *	5/2002	Libman	.....	D4/199
D456,618 S *	5/2002	Libman	.....	D4/199

D501,088 S *	1/2005	Libman et al.	.....	D4/199
D509,964 S *	9/2005	Berti	.....	D4/199
D511,046 S *	11/2005	Berti	.....	D4/199
D515,822 S *	2/2006	Libman et al.	.....	D4/199
D575,515 S *	8/2008	Arend	.....	D4/118

\* cited by examiner

*Primary Examiner* — Austin Murphy

(74) *Attorney, Agent, or Firm* — Trisha D. Adamson; Irina Hass

(57) **CLAIM**

The ornamental design for a broom, as shown and described.

**DESCRIPTION**

FIG. 1 is a perspective view of the new design for a broom; FIG. 2 is a front view thereof, the rear view being a mirror image thereof;

FIG. 3 is a top view thereof;

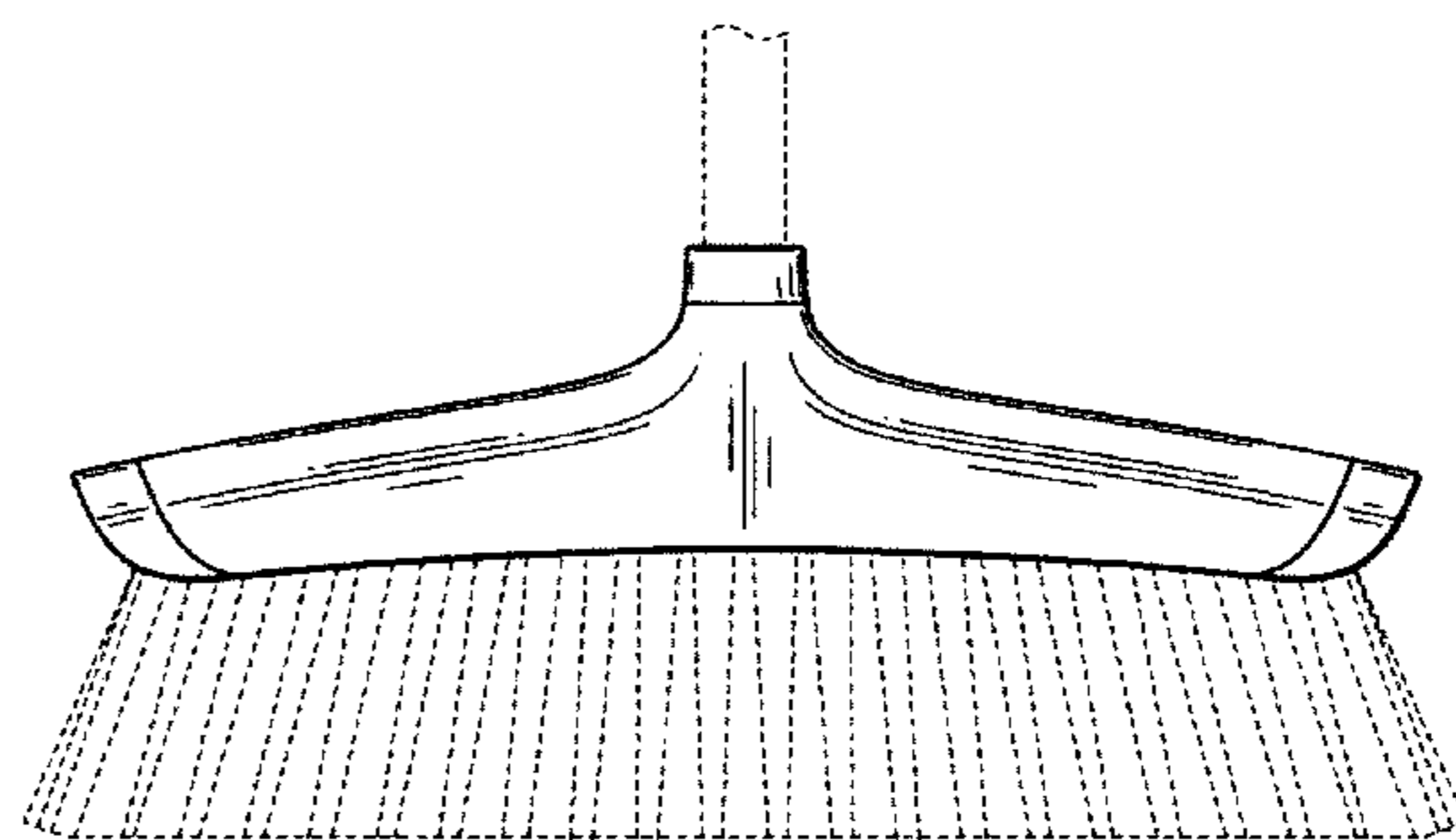
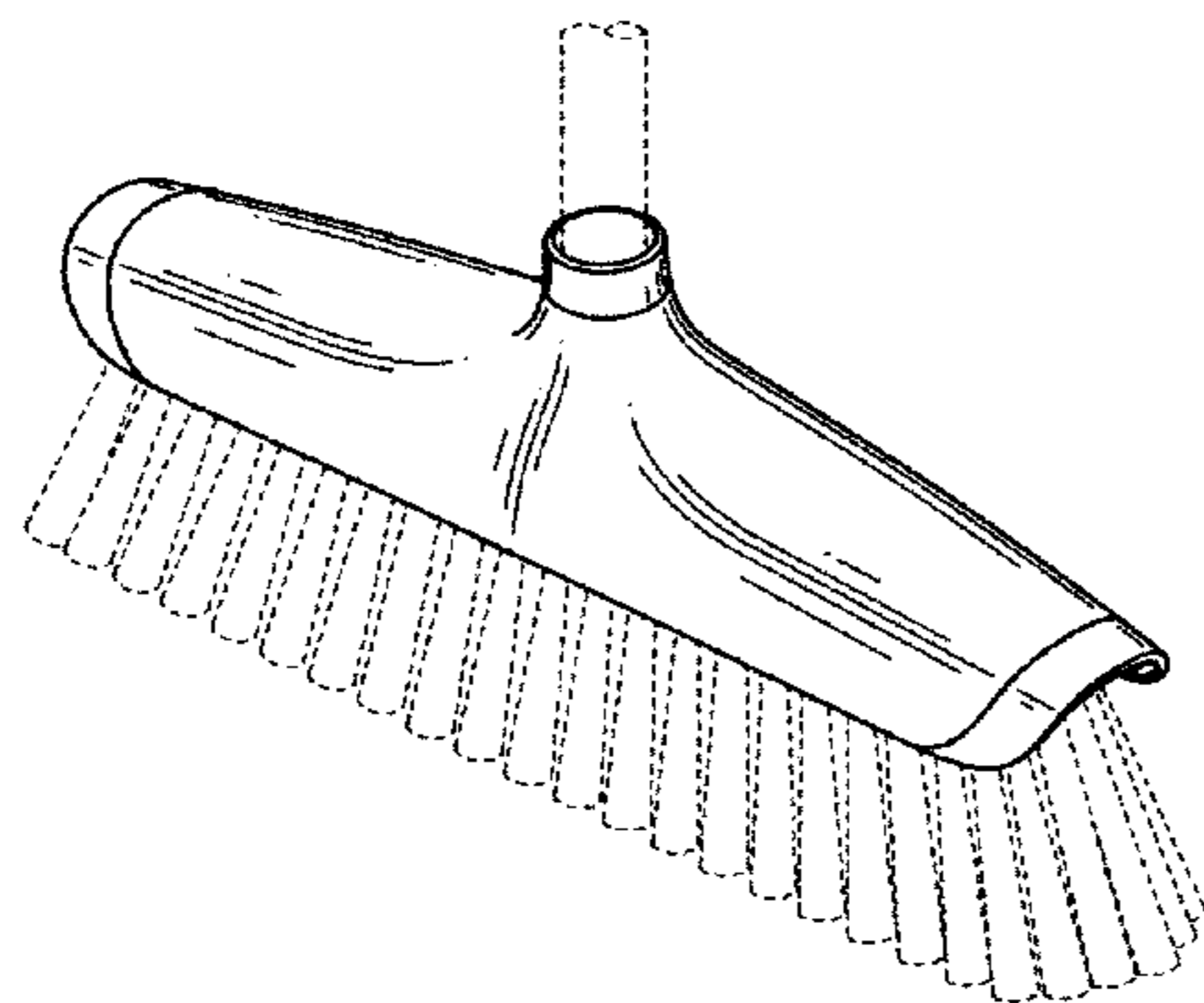
FIG. 4 is a bottom view thereof;

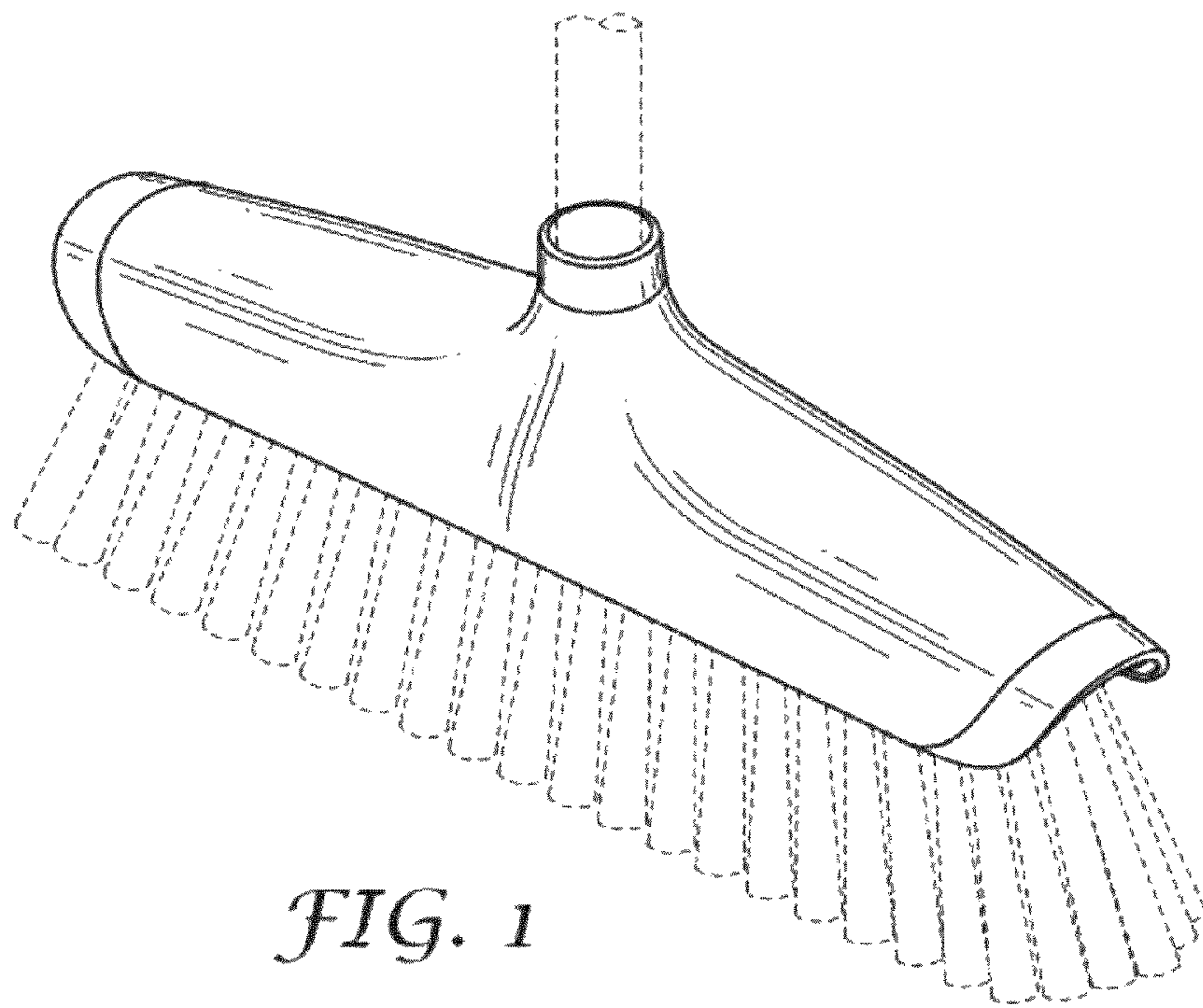
FIG. 5 is a right side view thereof, the left side view being a mirror image thereof; and,

FIG. 6 is a perspective view thereof showing the mop with a long handle.

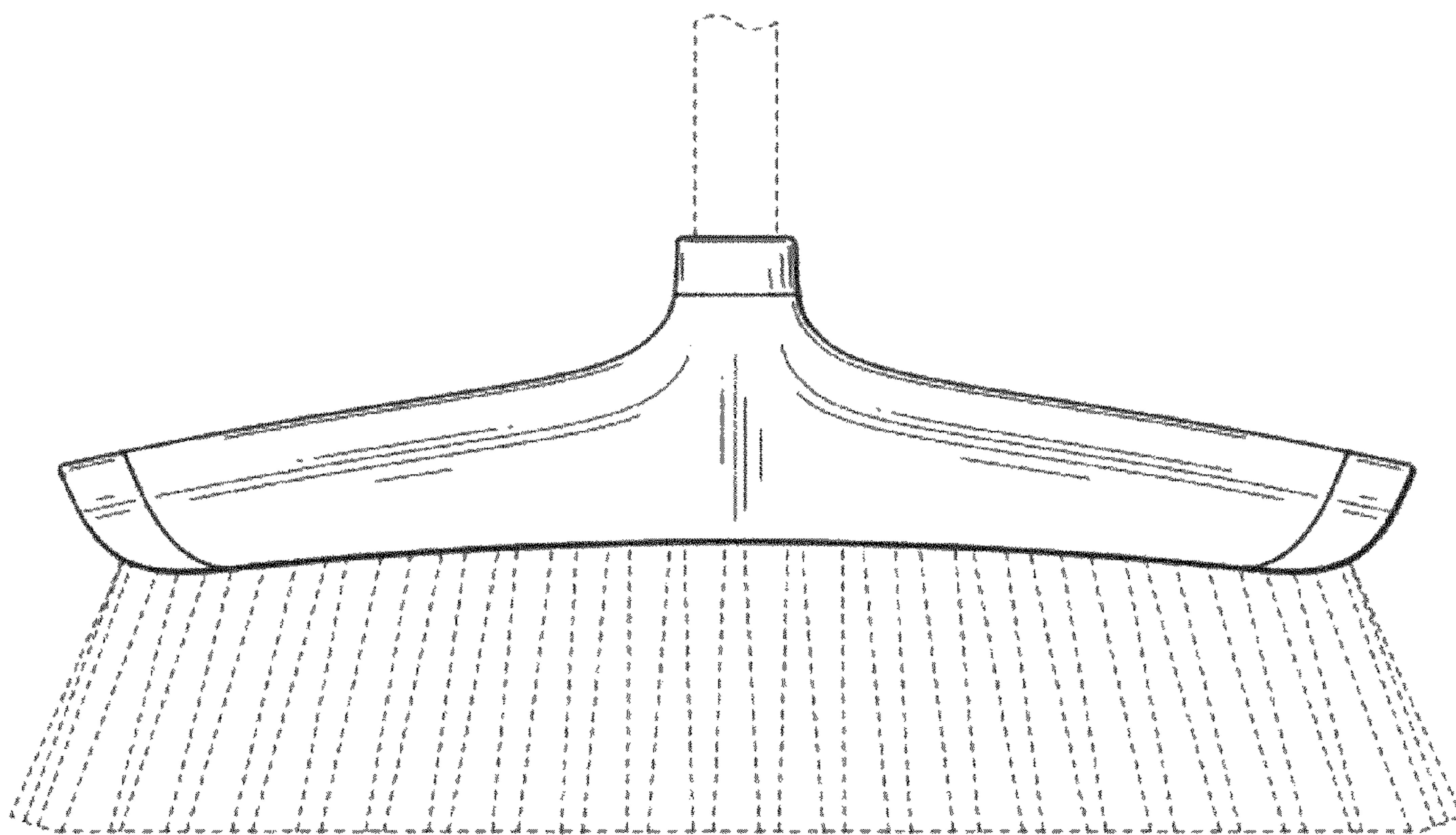
The broken lines in the drawings are shown for illustrative purposes only and form no part of the claimed design. In addition, the surface shading illustrated in the drawings is provided merely to highlight contour of design; it is not intended to be illustrative of texture or gloss.

**1 Claim, 3 Drawing Sheets**





*FIG. 1*



*FIG. 2*



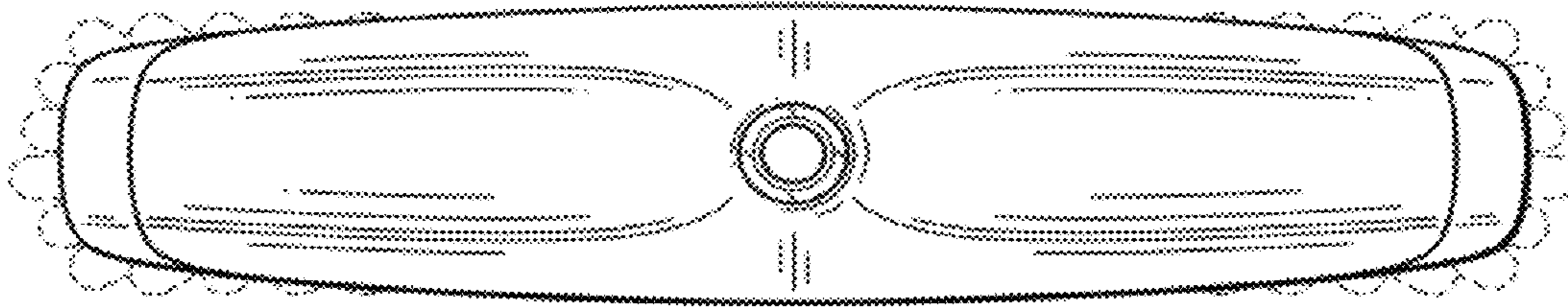


FIG. 3

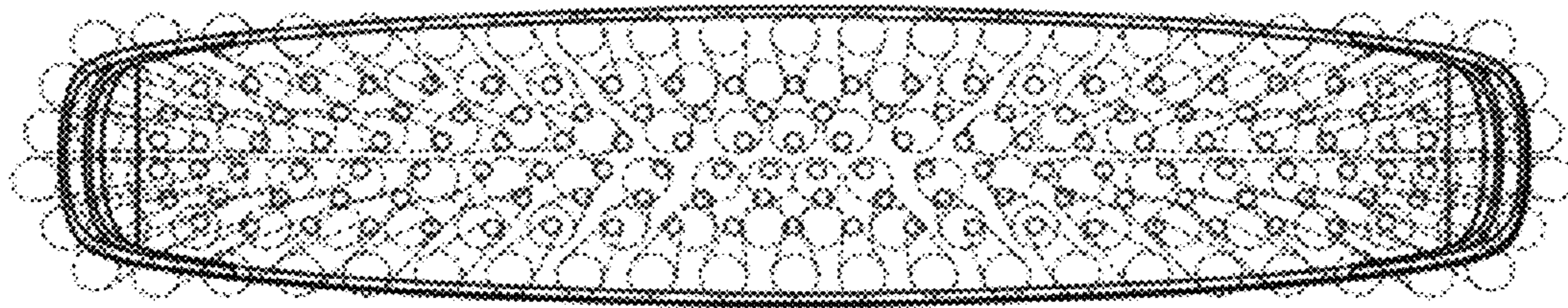


FIG. 4

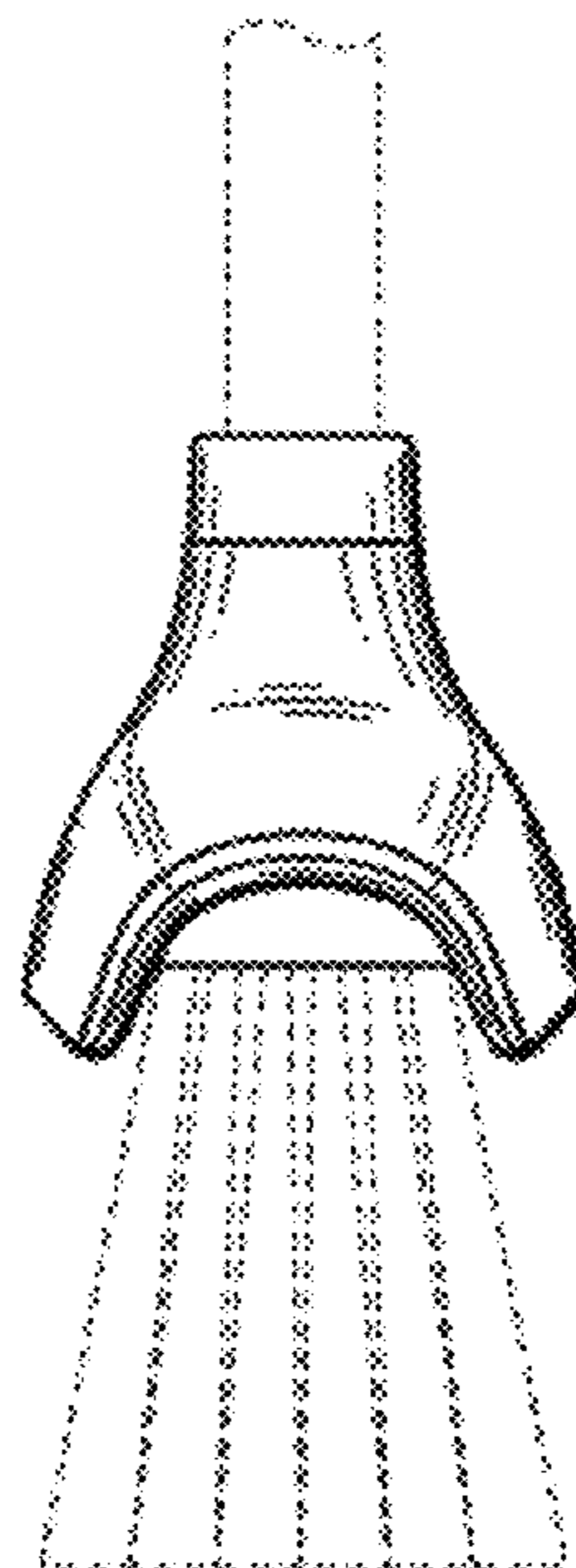


FIG. 5

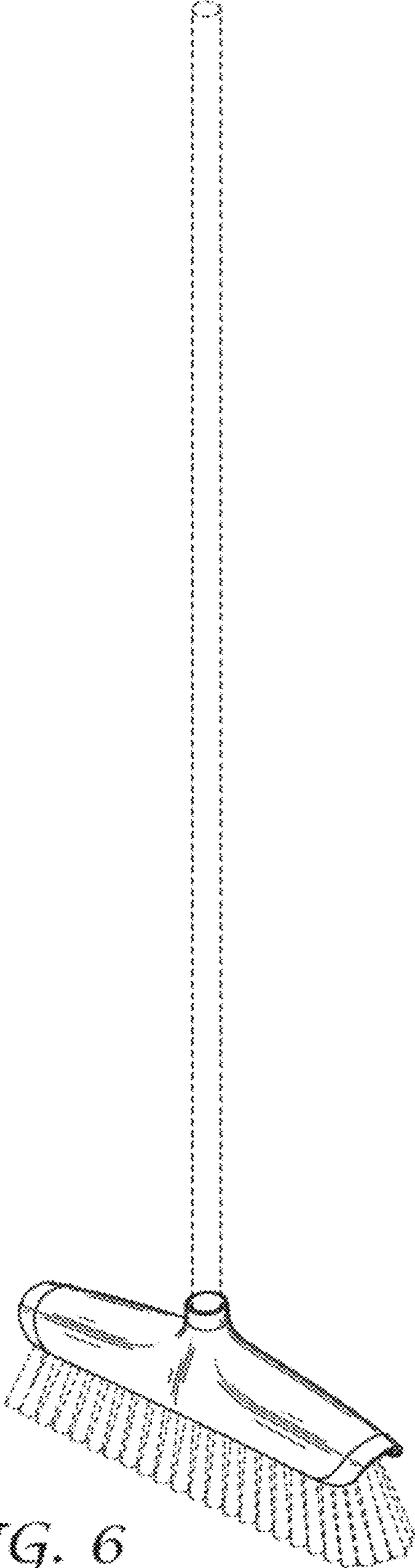


FIG. 6