



US00D674194S

(12) **United States Design Patent**
Saavedra

(10) **Patent No.:** **US D674,194 S**
(45) **Date of Patent:** **** Jan. 15, 2013**

(54) **PLAQUE**
(75) Inventor: **Carlos Saavedra**, New York, NY (US)
(73) Assignee: **Henri Bendel, Inc.**, New York, NY (US)
(**) Term: **14 Years**
(21) Appl. No.: **29/403,086**
(22) Filed: **Sep. 30, 2011**
(51) **LOC (9) Cl.** **03-01**
(52) **U.S. Cl.** **D3/322**
(58) **Field of Classification Search** D3/232–233,
D3/240–246, 318, 322; 150/100, 103–110,
150/113–114, 117–119
See application file for complete search history.

D626,331 S 11/2010 Guyon et al.
D635,357 S 4/2011 Guyon et al.
D635,358 S 4/2011 Guyon et al.

OTHER PUBLICATIONS

Alexander McQueen Wicca Velvet-covered Leather Shoulder Bag,
<http://www.bagfuss.com>.
“Henri Bendel” Trademark, Serial No. 85/354,441, First Use in Com-
merce Sep. 30, 2007.
“M” Trademark, Serial No. 77/760,255, Filed Jun. 15, 2009.
“HB” Trademark, Serial No. 77/566,823, Filed Sep. 10, 2008.
Henri Bendel Trademark, Serial No. 77/566,854, Filed Sep. 10, 2008.
“H B” Trademark, Serial No. 85/366,582, First Use in Commerce
Sep. 30, 2007.
Henri Bendel Crown Logo.

* cited by examiner

Primary Examiner — Holly Baynham
(74) *Attorney, Agent, or Firm* — Ward & Zinna, LLC

(56) **References Cited**

U.S. PATENT DOCUMENTS

1,835,749	A *	12/1931	Behrman	150/106
D124,356	S *	12/1940	Calem	D28/79
D133,410	S	8/1942	Detkin et al.		
D141,283	S *	5/1945	Selzer	D3/233
D171,875	S	4/1954	Ames		
D202,860	S	11/1965	Terrence		
D263,649	S	4/1982	Schimmel		
D275,910	S	10/1984	Schimmel		
D324,771	S	3/1992	Dixsaut		
D451,677	S	12/2001	Kim		
D492,479	S	7/2004	Hanley		
D492,482	S	7/2004	Hanley		
D533,719	S	12/2006	Spade		
D560,362	S	1/2008	Watanabe		
D564,223	S	3/2008	Messineo		
D572,485	S *	7/2008	Gonzalez	D3/318
D578,306	S	10/2008	Hermann		

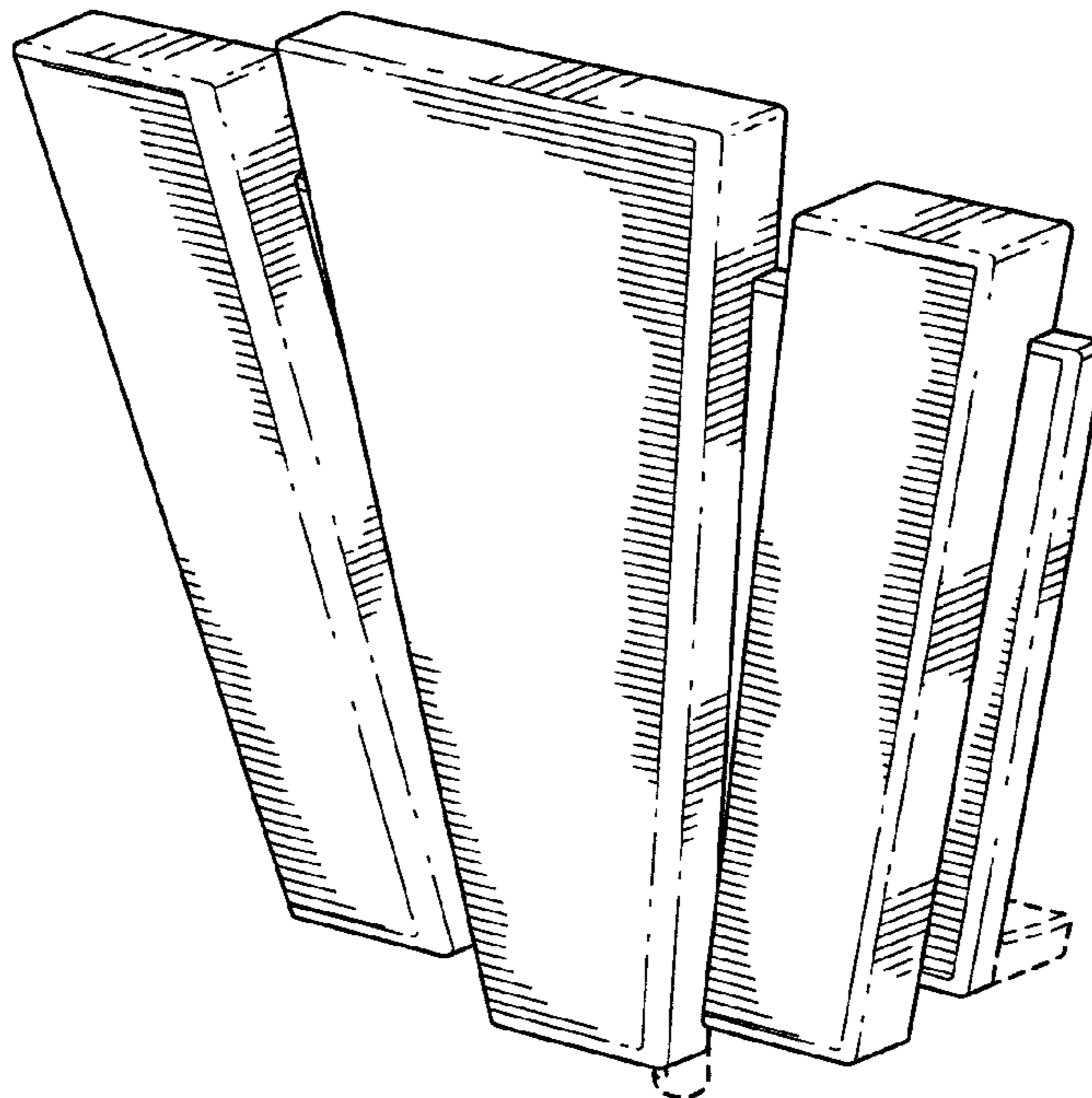
(57) **CLAIM**

The ornamental design for a plaque, as shown and described.

DESCRIPTION

FIG. 1 is a perspective view of a plaque;
FIG. 2 is a front view thereof;
FIG. 3 is a rear view thereof;
FIG. 4 is a left side view thereof, the right side view being a
mirror image thereof;
FIG. 5 is a top view thereof; and,
FIG. 6 is a bottom view thereof.
The broken lines showing in the figures are included for the
purpose of illustrating environment of the design and form no
part of the claimed invention.

1 Claim, 5 Drawing Sheets



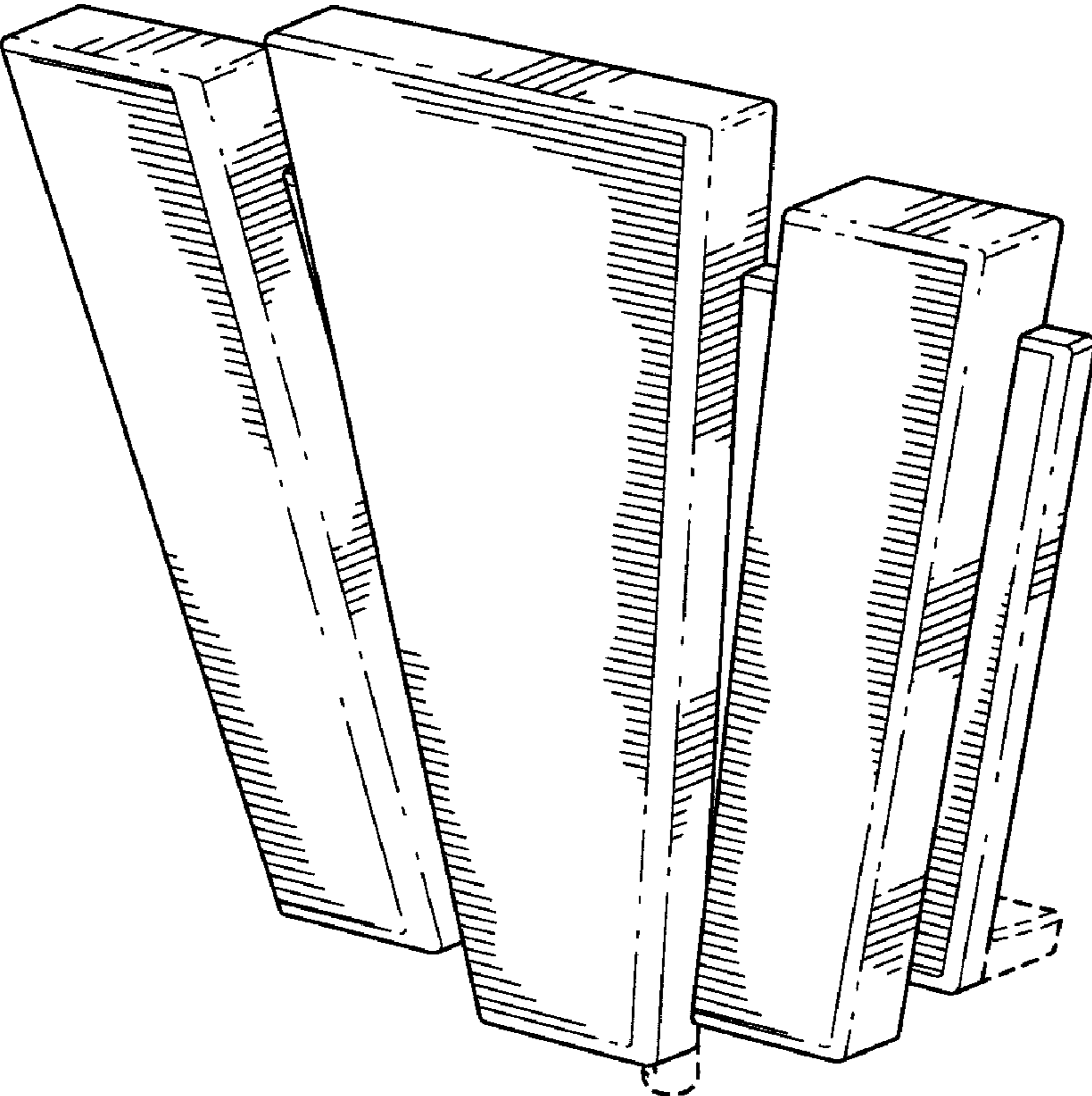


FIG. 1

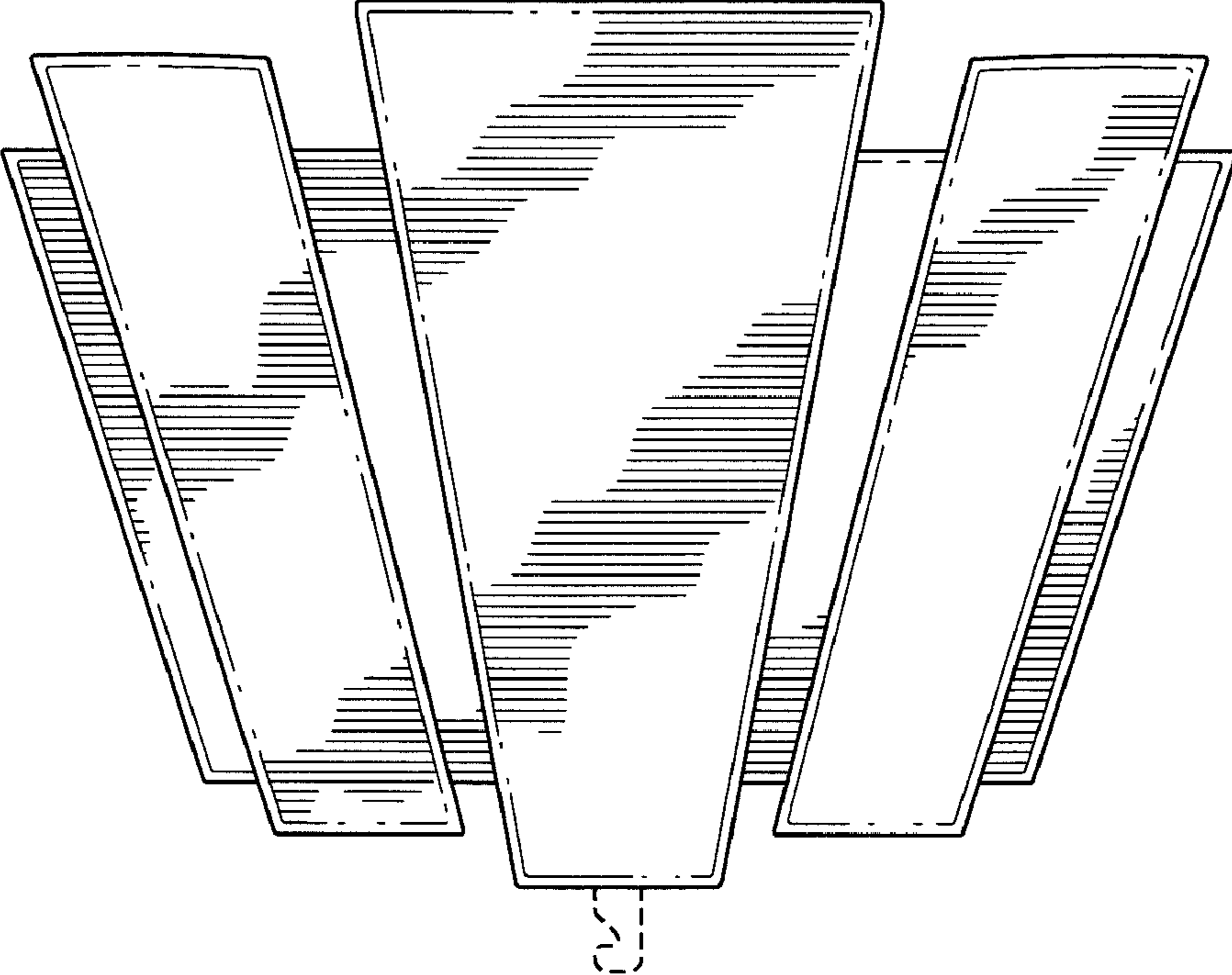


FIG.2

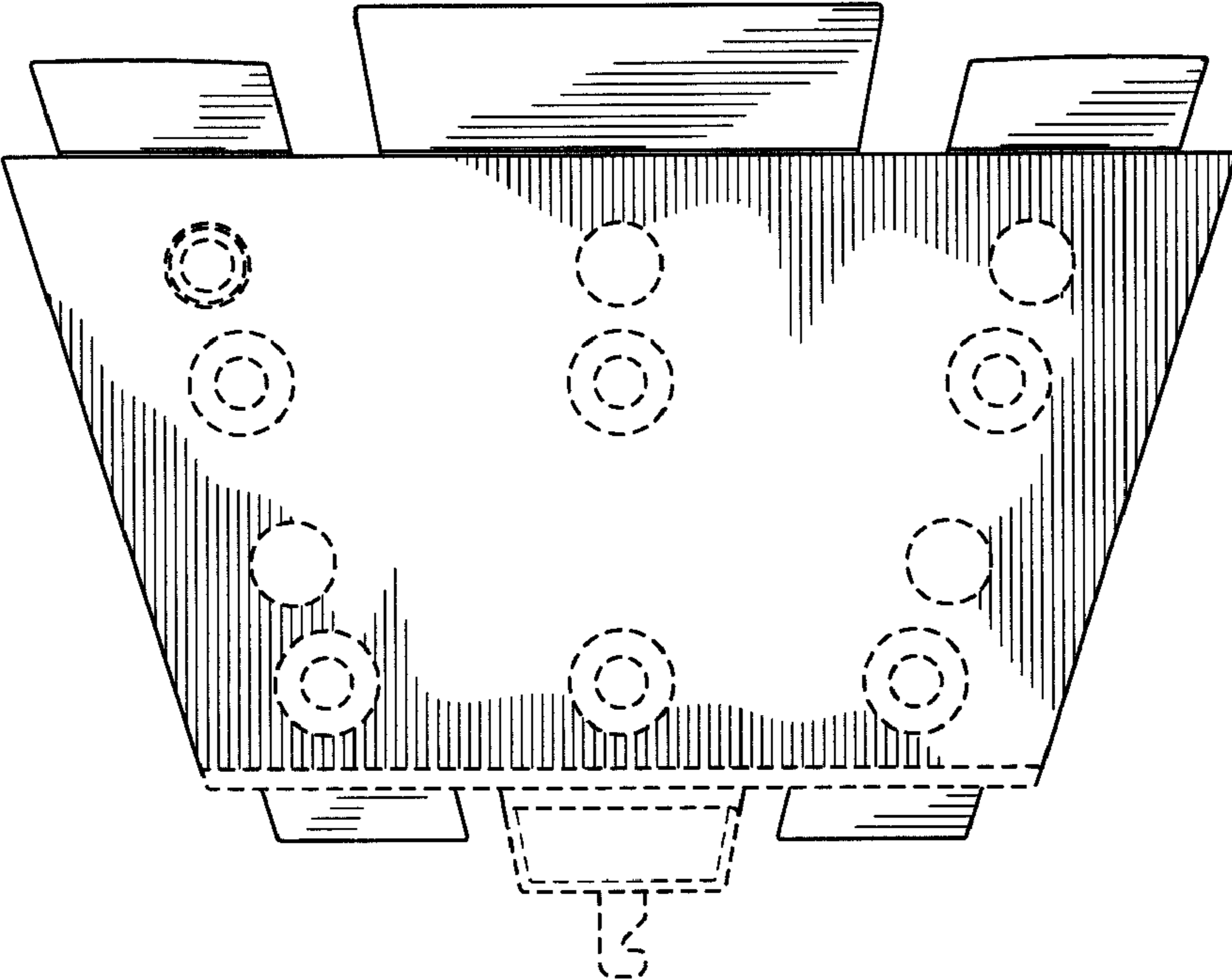


FIG.3

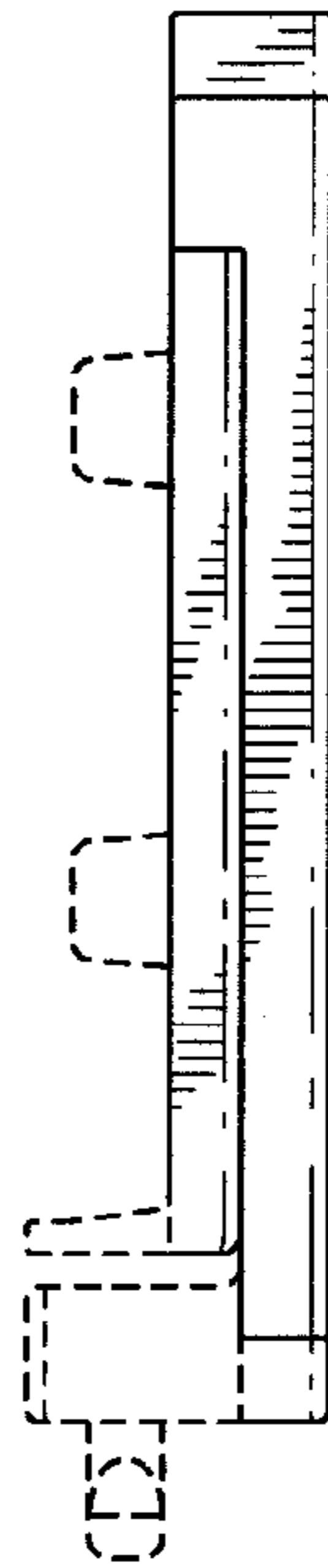


FIG. 4

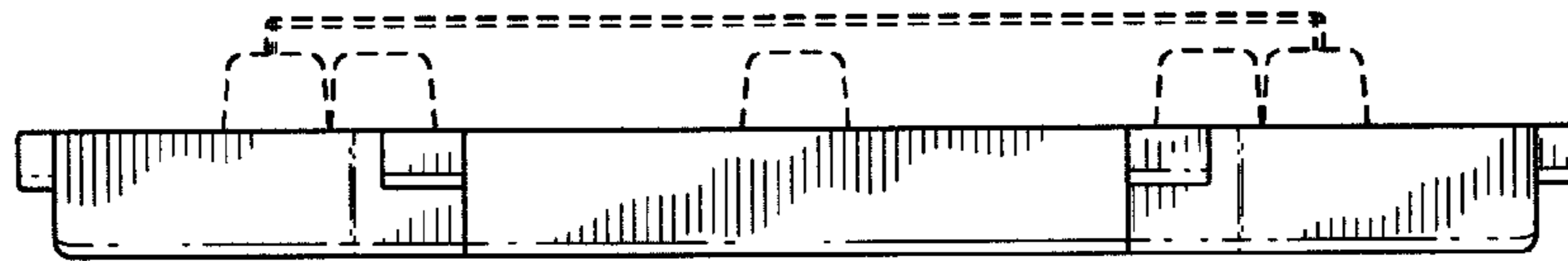


FIG. 5

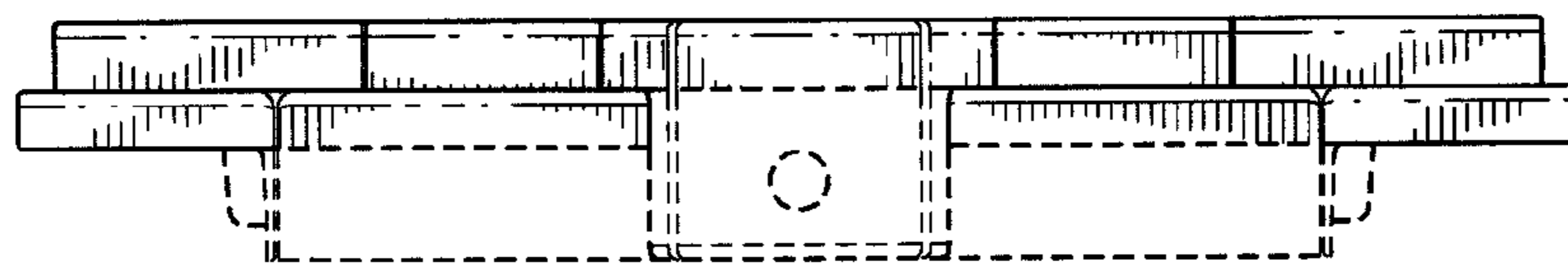


FIG. 6