



US00D674191S

(12) **United States Design Patent**
Sakaguchi

(10) **Patent No.:** **US D674,191 S**

(45) **Date of Patent:** **** Jan. 15, 2013**

(54) **CARRYING CADDY**

(75) Inventor: **Thomas Ray Sakaguchi**, Brooklyn, NY
(US)

(73) Assignee: **Pearhead, Inc.**, Brooklyn, NY (US)

(**) Term: **14 Years**

(21) Appl. No.: **29/404,983**

(22) Filed: **Oct. 27, 2011**

(51) **LOC (9) Cl.** **03-02**

(52) **U.S. Cl.** **D3/315**

(58) **Field of Classification Search** D3/204,
D3/218, 226, 230, 232, 243, 245, 246, 247,
D3/249, 272, 273, 275, 276, 283–285, 289,
D3/290, 299, 303, 315, 294–296, 903, 304,
D3/314; 206/6.1, 235, 457, 349, 373, 5,
206/38, 380, 579, 581; D9/416; D6/563,
D6/564; D7/394; 220/533

See application file for complete search history.

(56) **References Cited**

U.S. PATENT DOCUMENTS

4,577,773 A * 3/1986 Bitel 220/533
D376,477 S * 12/1996 Patterson, Jr. D3/304
D421,336 S * 3/2000 Demore et al. D3/314

D444,949 S * 7/2001 Whittaker D3/308
D576,482 S * 9/2008 DeBusk D9/416
D619,842 S * 7/2010 Noren et al. D6/563
D628,800 S * 12/2010 Rees et al. D3/304
D636,220 S * 4/2011 Caldwell et al. D7/394
D637,432 S * 5/2011 Clavette et al. D6/564
D651,801 S * 1/2012 Brown D3/304

* cited by examiner

Primary Examiner — Ian Simmons

Assistant Examiner — Charles Hanson

(74) *Attorney, Agent, or Firm* — Vista IP Law Group LLP

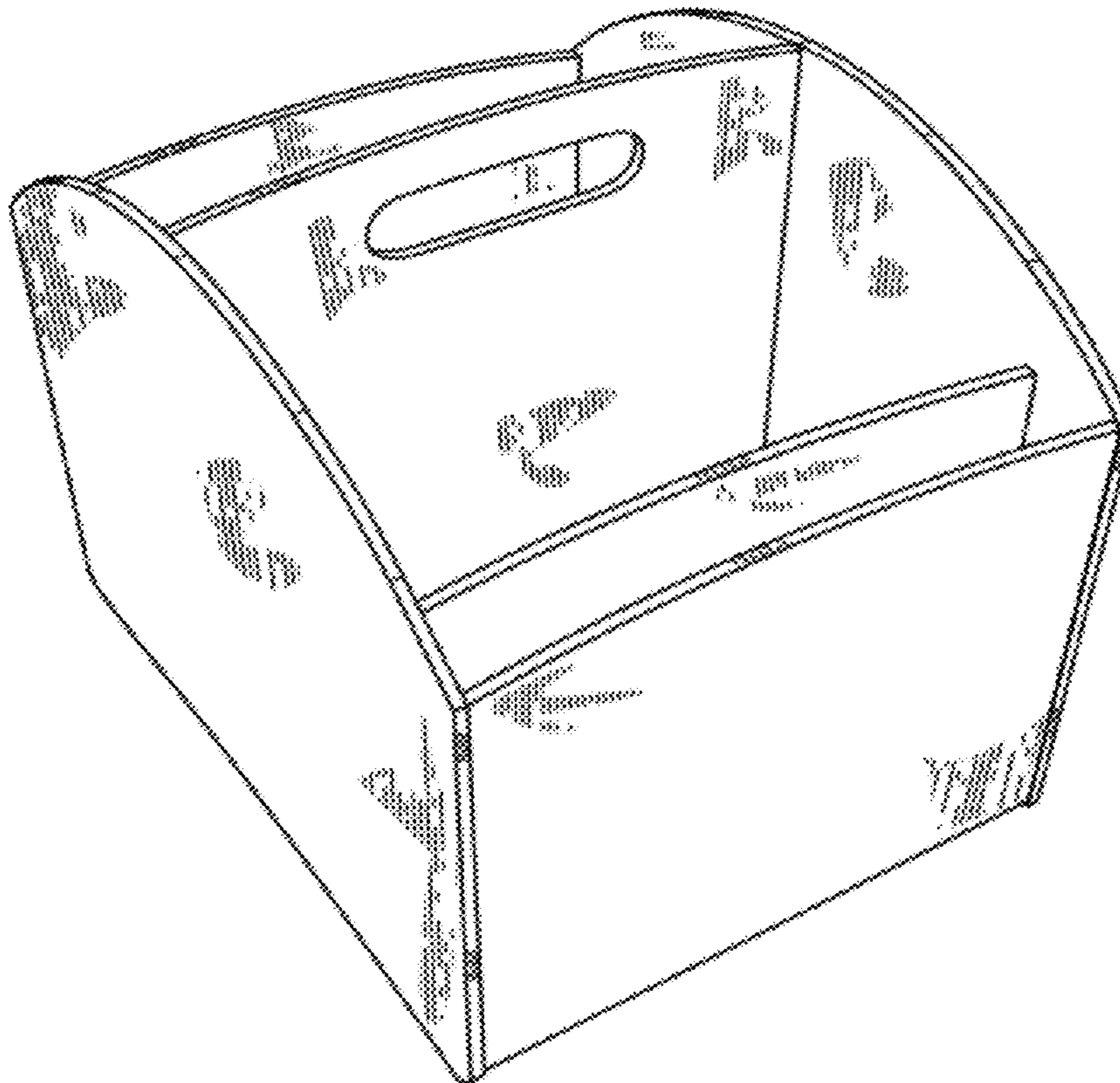
(57) **CLAIM**

The ornamental design for a carrying caddy, as shown and described.

DESCRIPTION

FIG. 1 is a front perspective view of a carrying caddy embodying the new design;
FIG. 2 is a front view thereof
FIG. 3 is a left side view thereof;
FIG. 4 is a rear view thereof;
FIG. 5 is a right side view thereof;
FIG. 6 is a bottom view thereof;
FIG. 7 is a top view thereof; and,
FIG. 8 is a rear perspective view thereof.

1 Claim, 5 Drawing Sheets



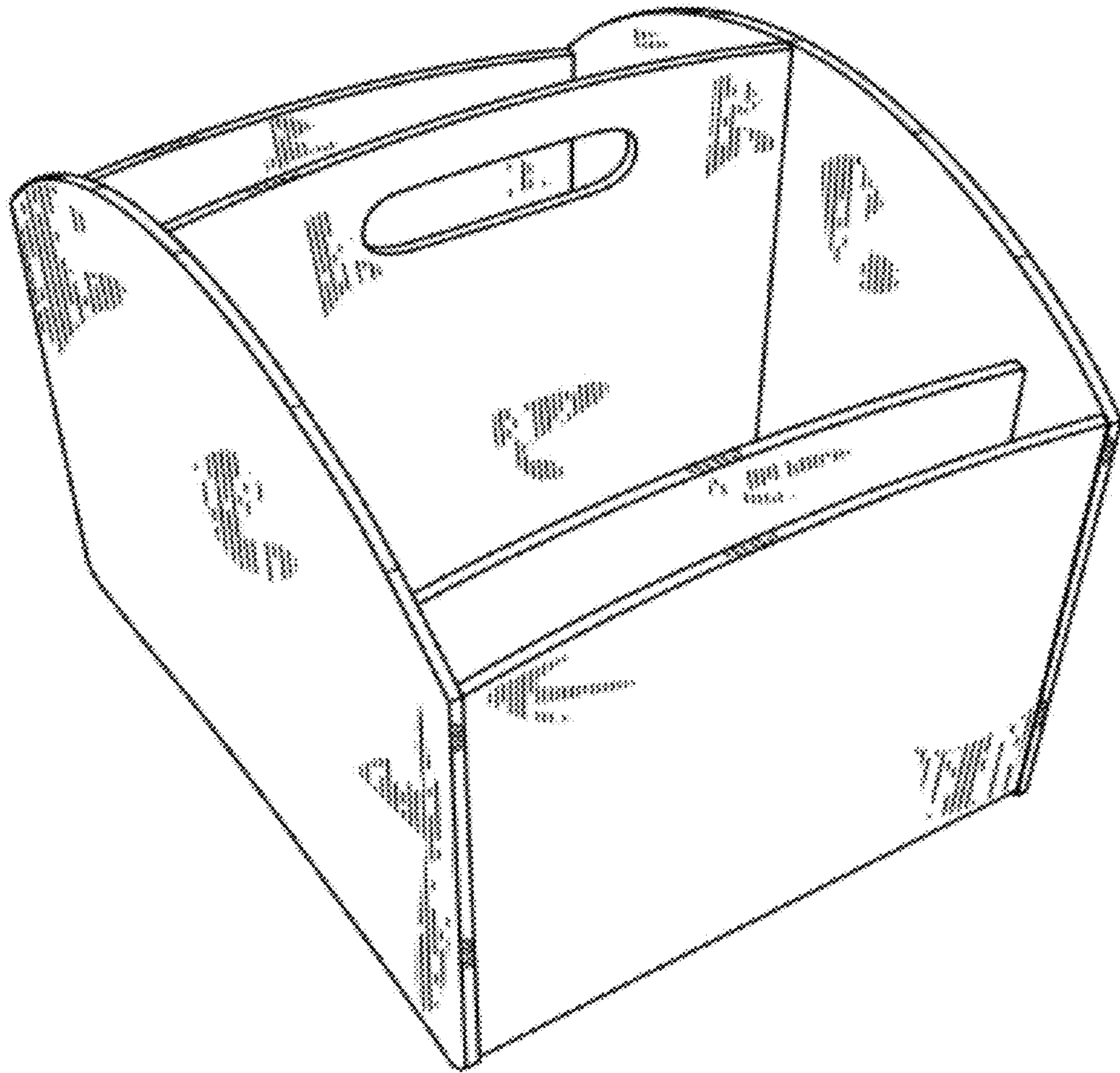


FIG. 1

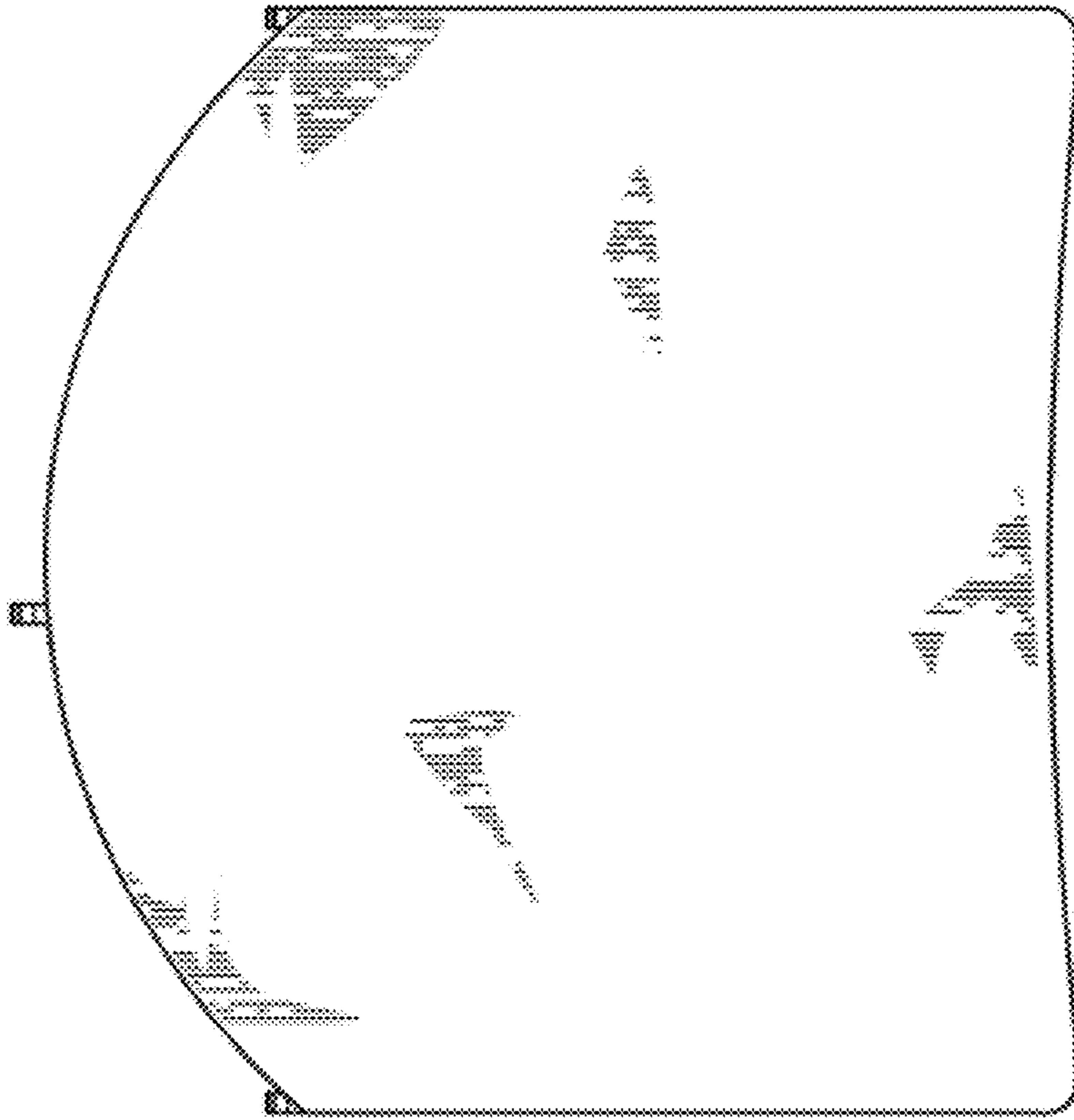


FIG. 2

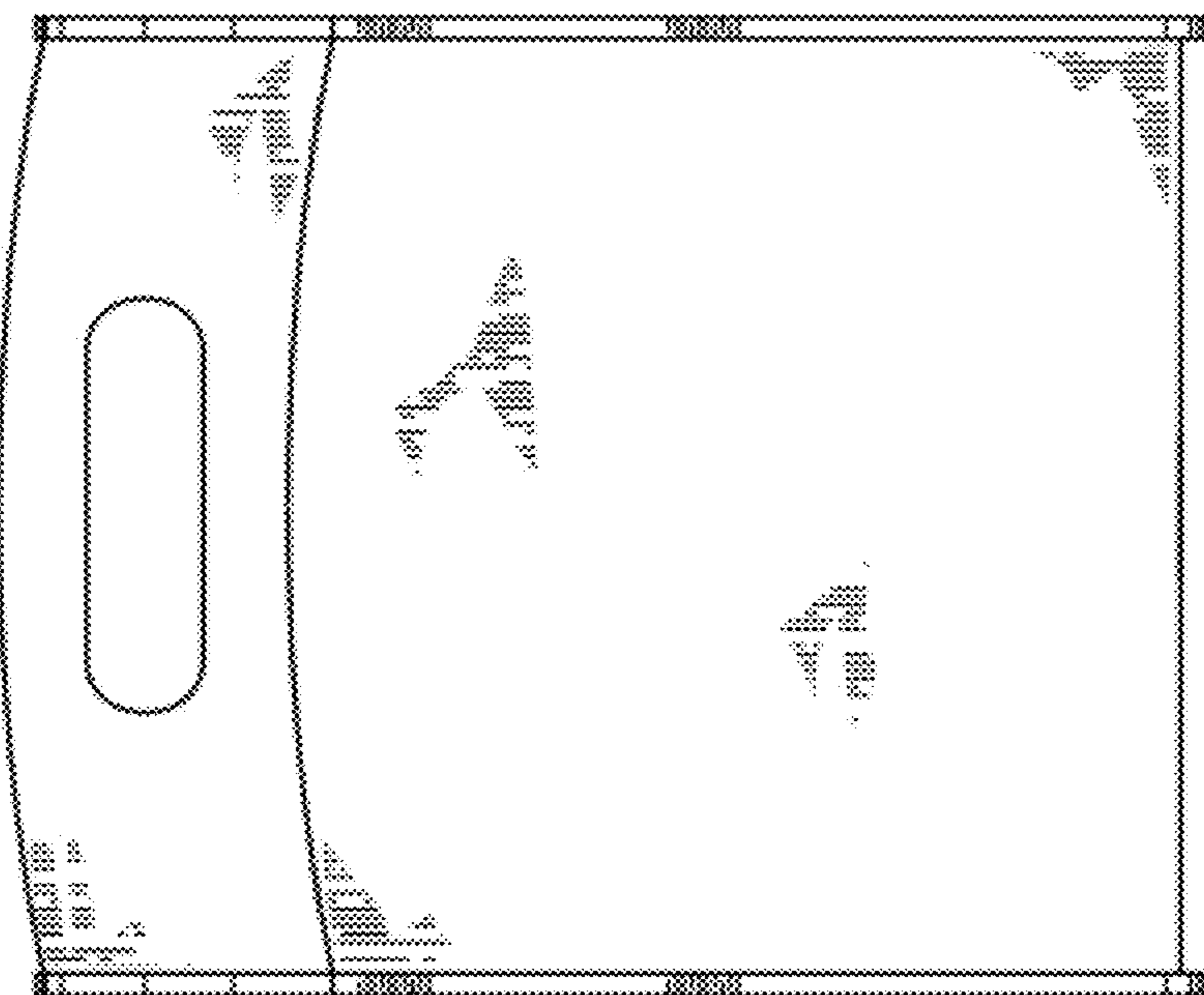


FIG. 3

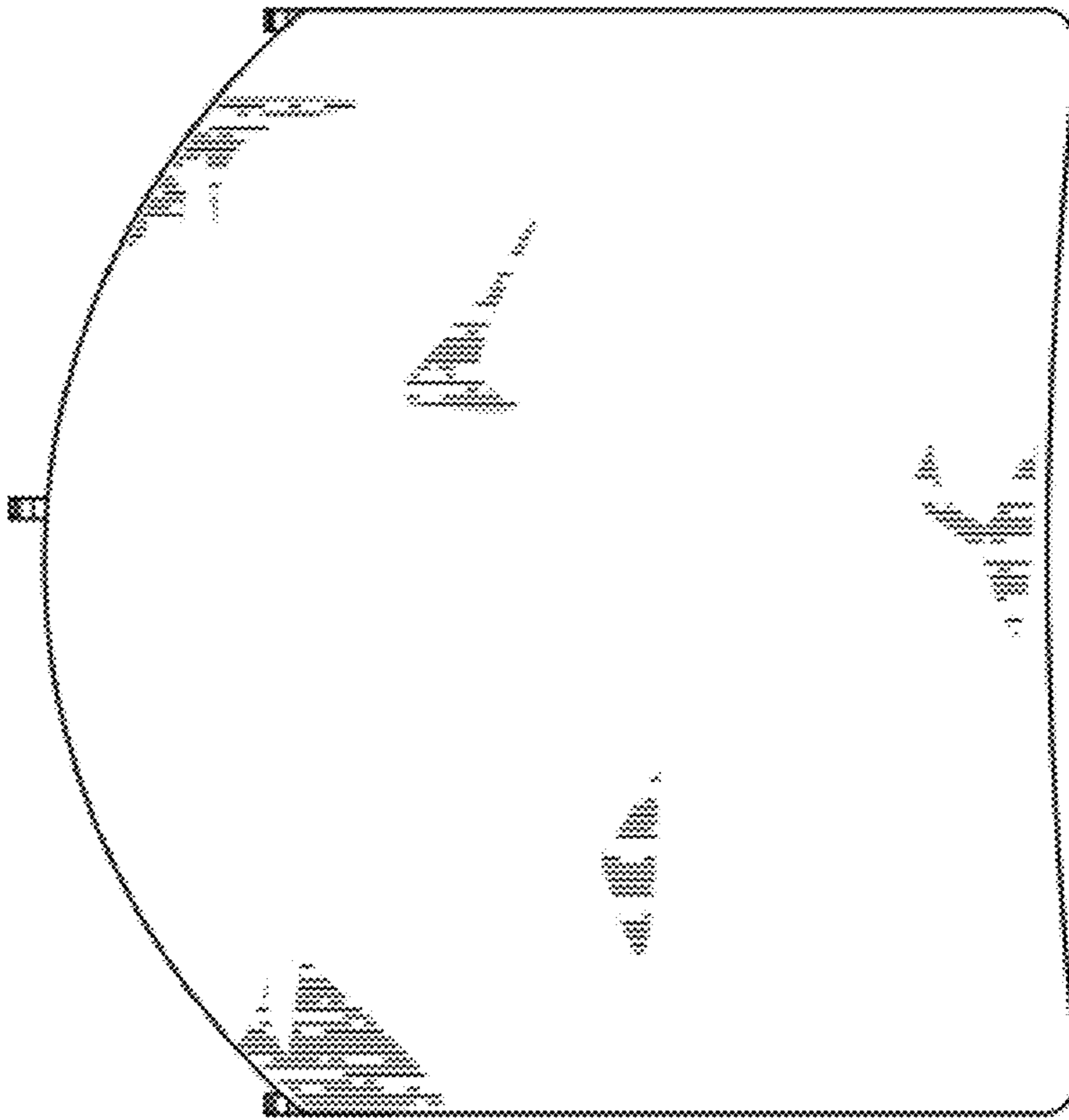


FIG. 5

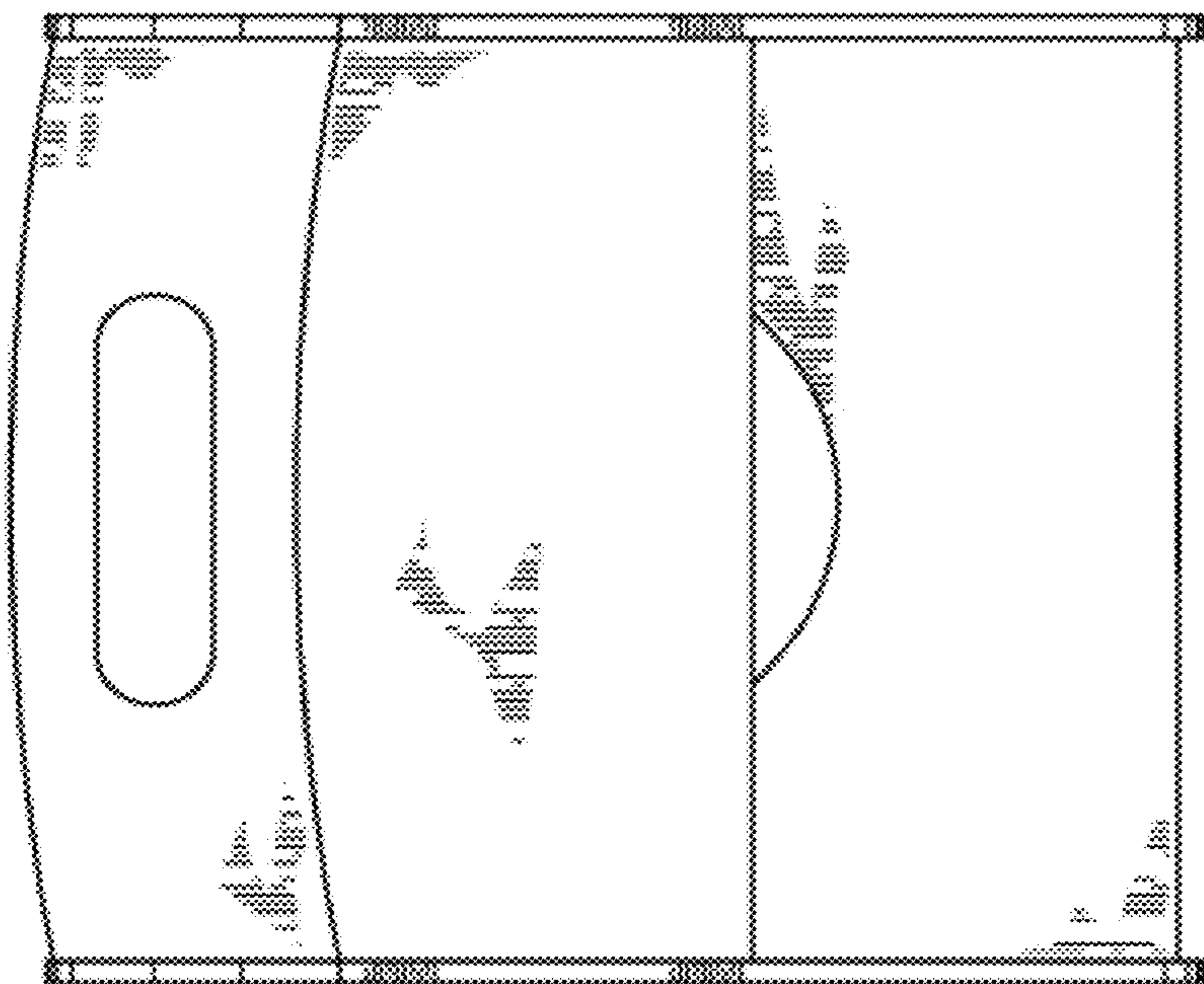


FIG. 4

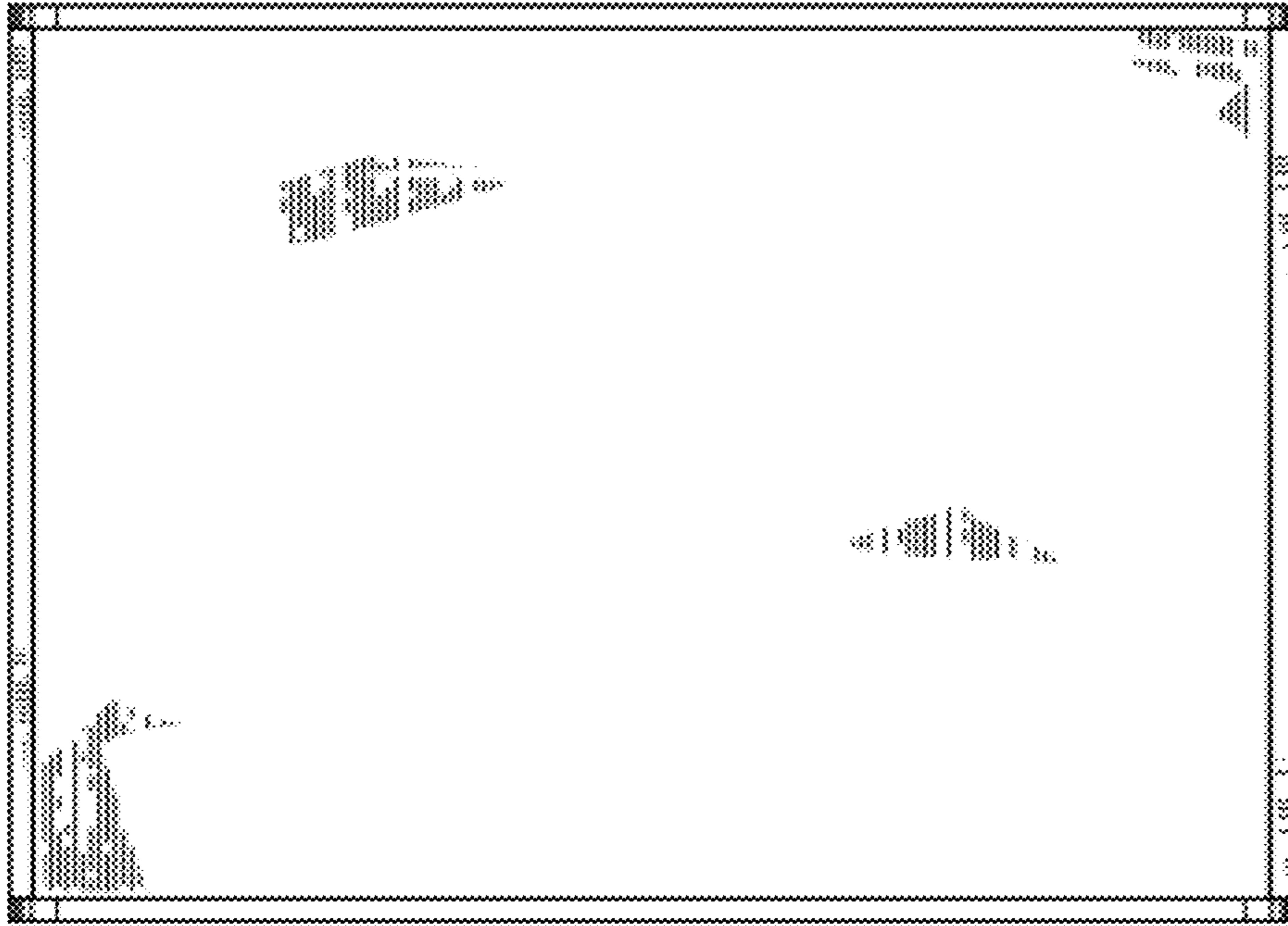


FIG. 6

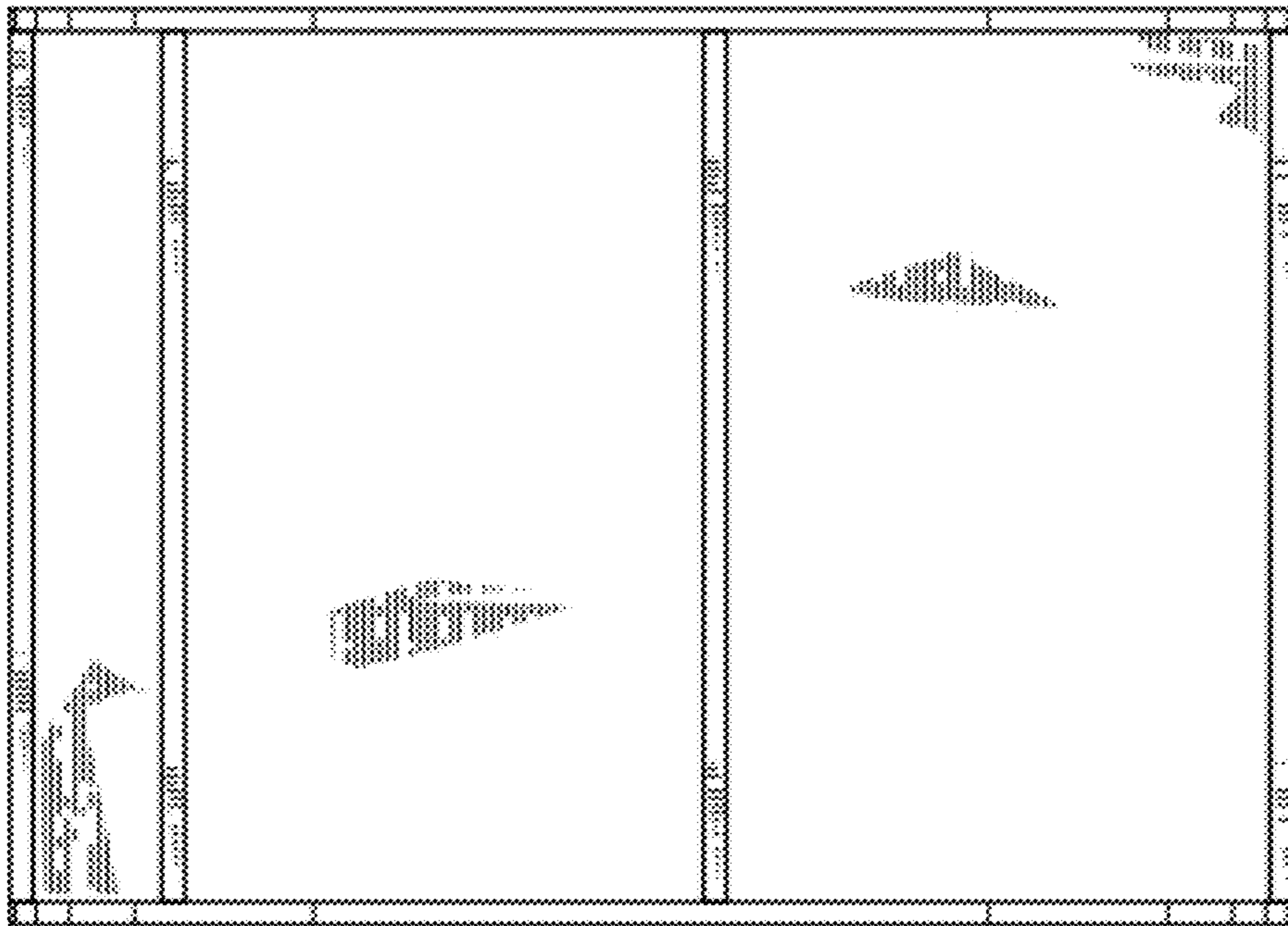


FIG. 7

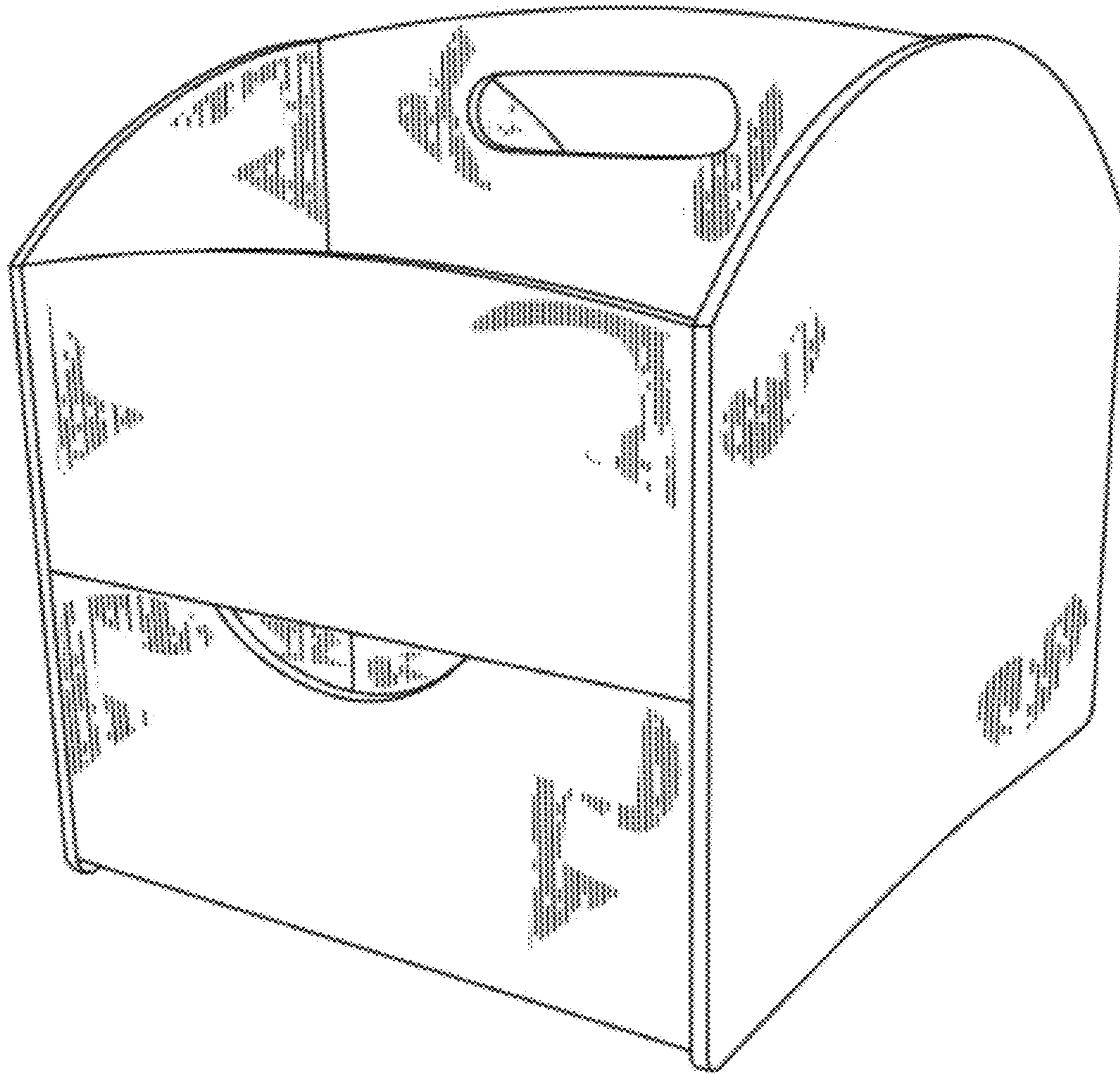


FIG. 8