



US00D674188S

(12) **United States Design Patent**  
**Sabadicci**

(10) **Patent No.:** **US D674,188 S**

(45) **Date of Patent:** **\*\* \*Jan. 15, 2013**

(54) **WINE AERATOR TRAVEL CASE**

(75) Inventor: **Rio Sabadicci**, Rancho Santa Fe, CA  
(US)

(73) Assignee: **Vinturi, Inc.**, Carlsbad, CA (US)

(\* ) Notice: This patent is subject to a terminal disclaimer.

(\*\*) Term: **14 Years**

(21) Appl. No.: **29/375,646**

(22) Filed: **Sep. 24, 2010**

(51) **LOC (9) Cl.** ..... **03-01**

(52) **U.S. Cl.** ..... **D3/269**

(58) **Field of Classification Search** ..... D3/201,  
D3/202, 203.1, 203.2, 203.3, 229, 255, 257,  
D3/269, 273, 294, 300, 302, 315, 904; D7/612,  
D7/615; D9/420, 422, 423, 428, 549, 557;  
206/315.1, 315.2, 315.9, 349

See application file for complete search history.

(56) **References Cited**

**U.S. PATENT DOCUMENTS**

D115,047 S *	5/1939	Matthay	.....	D9/422
D292,879 S *	11/1987	Smith	.....	D9/753
D334,082 S *	3/1993	Tiramani et al.	.....	D28/73
D451,272 S *	12/2001	McFarlin	.....	D3/202
D462,164 S *	9/2002	Phillips	.....	D3/202
D491,805 S *	6/2004	Loth et al.	.....	D9/422
D497,807 S *	11/2004	Nichols et al.	.....	D3/203.2
D511,090 S *	11/2005	Devine	.....	D9/417
D542,316 S *	5/2007	Jackson et al.	.....	D9/733

D543,842 S *	6/2007	Jackson	.....	D9/420
D552,342 S *	10/2007	Kao	.....	D3/202
D564,216 S *	3/2008	Thai	.....	D3/202
D591,507 S *	5/2009	Mowe et al.	.....	D3/269
D604,942 S *	12/2009	Smith	.....	D3/202
D660,591 S *	5/2012	Okulla et al.	.....	D3/294

\* cited by examiner

*Primary Examiner* — Cynthia Ramirez

(74) *Attorney, Agent, or Firm* — Gilman Clark & Hunter LLC

(57) **CLAIM**

The ornamental design for a wine aerator travel case, as shown and described.

**DESCRIPTION**

FIG. 1 is a perspective view of a wine aerator travel case showing my new design holding a wine aerator;

FIG. 2 is a perspective view of the wine aerator travel case without the wine aerator;

FIG. 3 is a perspective view of the wine aerator travel case partially closed;

FIG. 4 is a front elevational view of the wine aerator travel case;

FIG. 5 is a rear elevational view thereof;

FIG. 6 is a left side elevational view thereof.

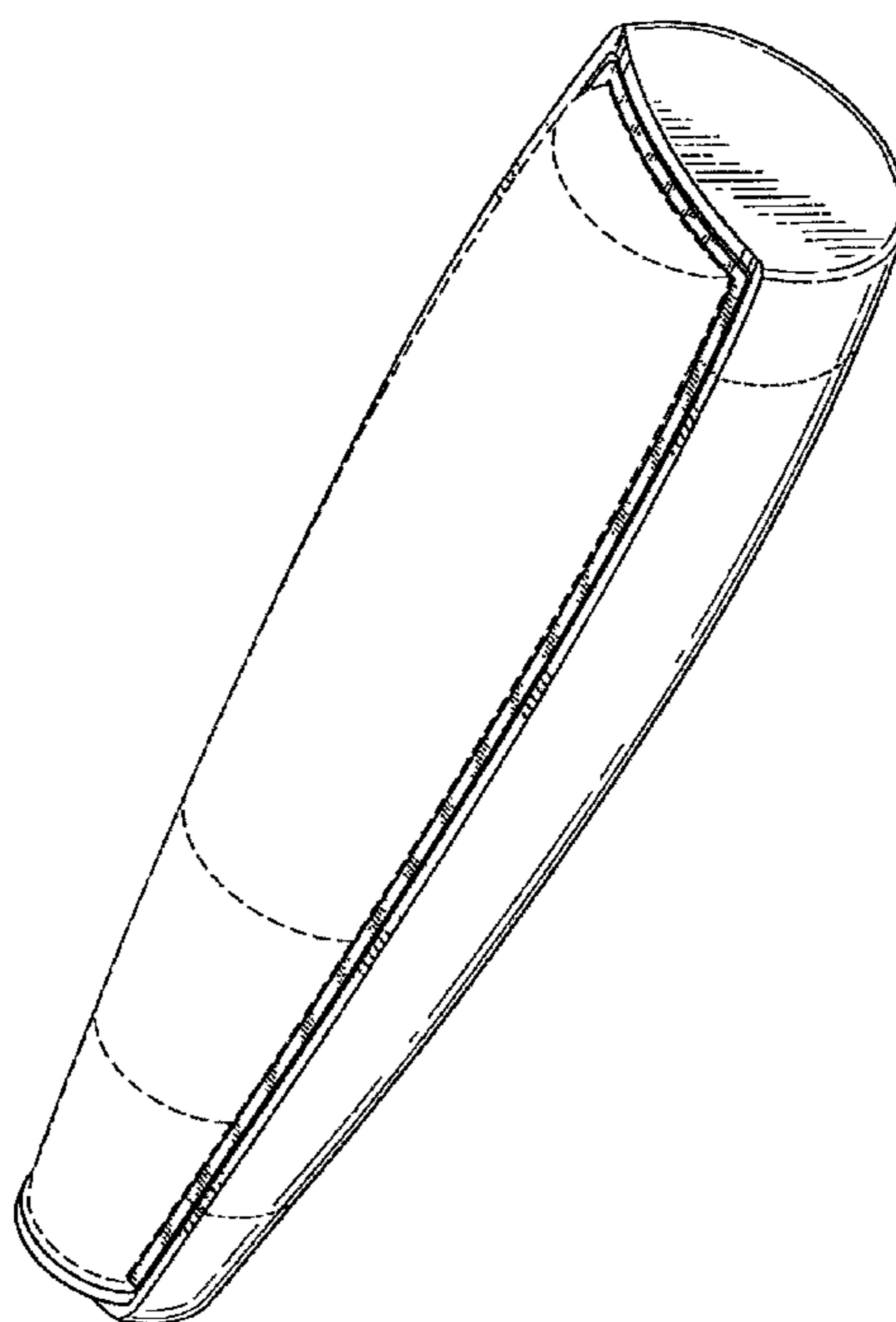
FIG. 7 is a right side elevational view thereof;

FIG. 8 is a top plan view thereof; and,

FIG. 9 is a bottom plan view thereof.

The broken lines shown in the drawings are for the purpose of illustrating unclaimed portions of the wine aerator travel case and form no part of the claimed design.

**1 Claim, 6 Drawing Sheets**



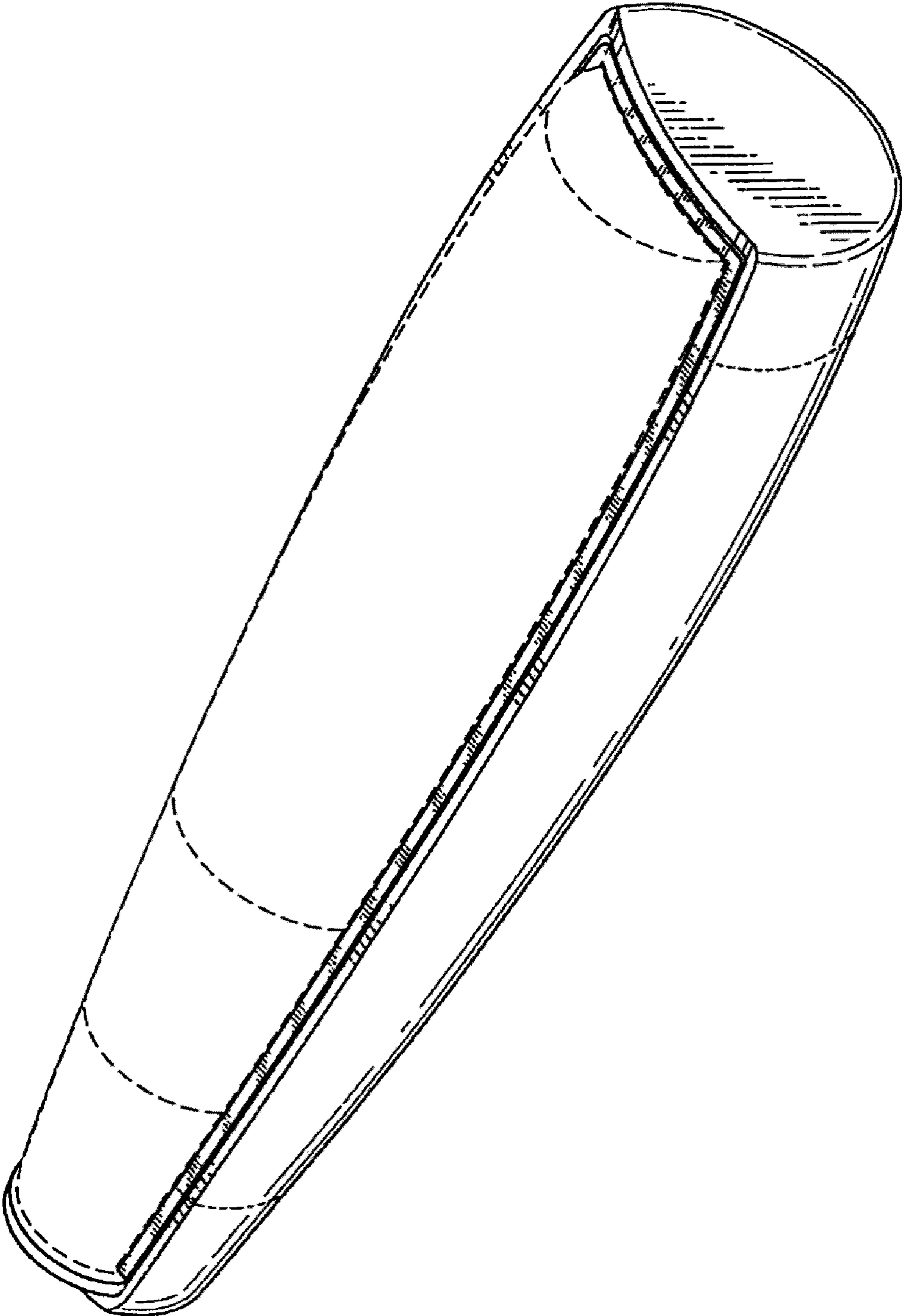


FIG. 1

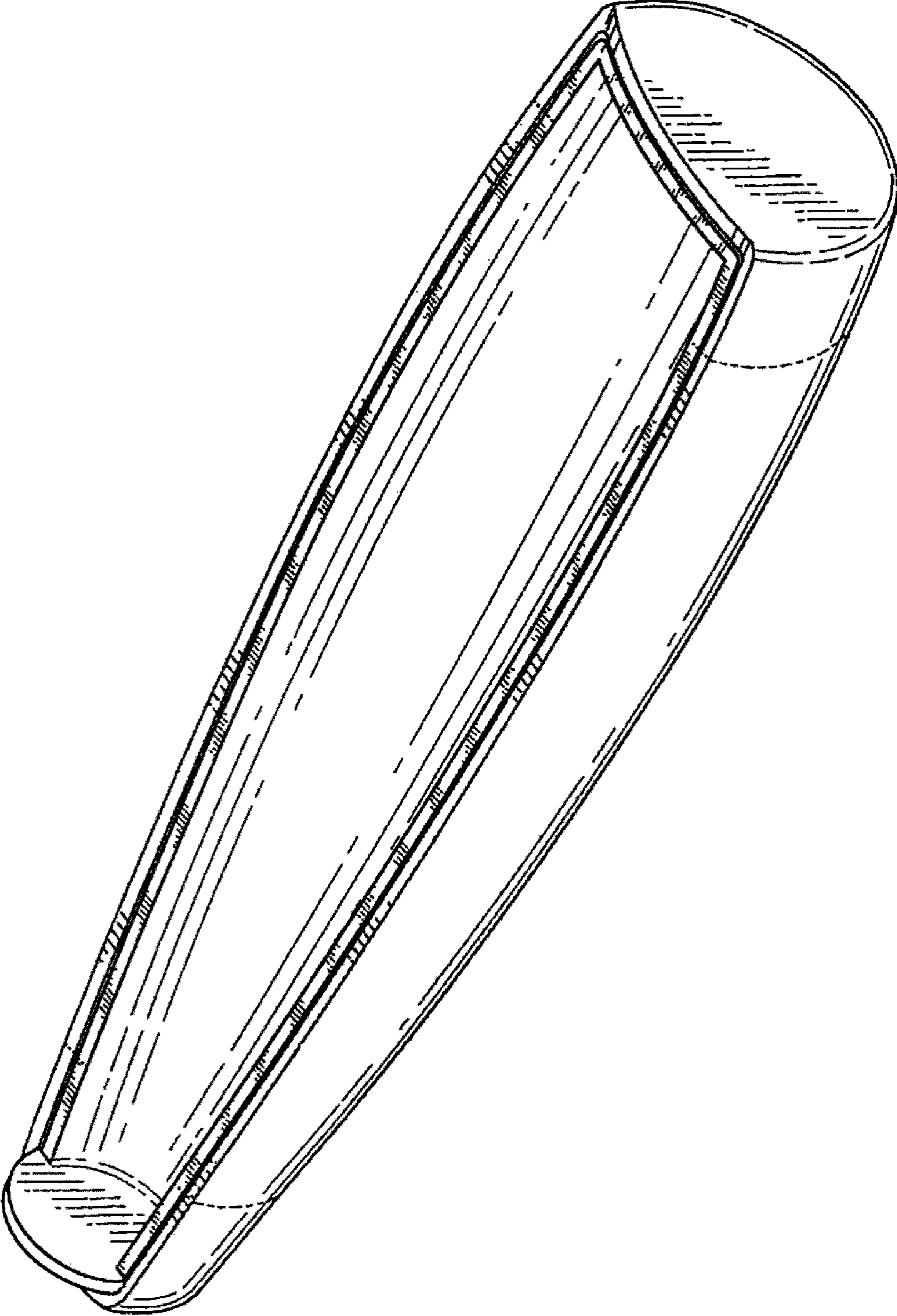


FIG. 2



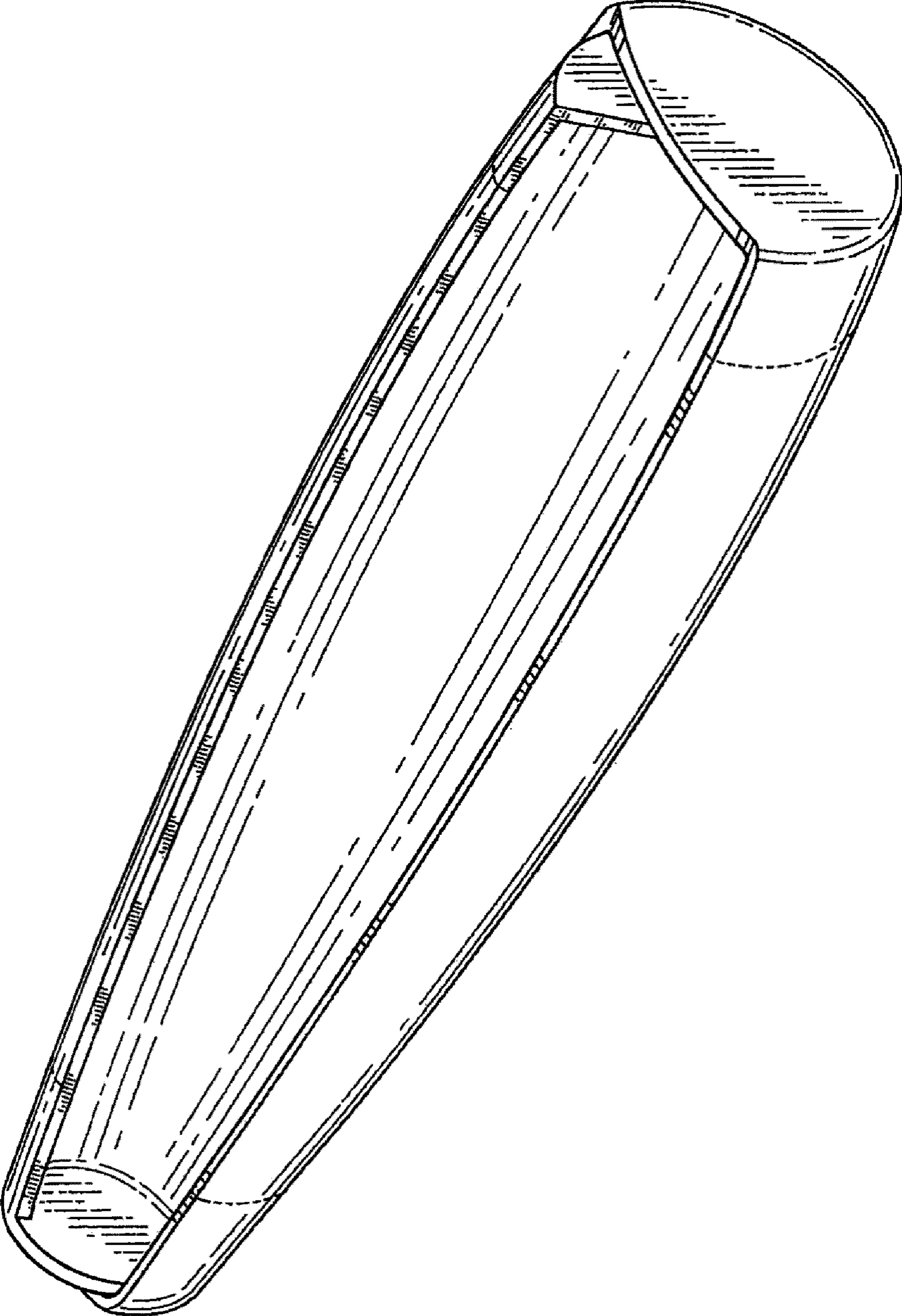


FIG. 3

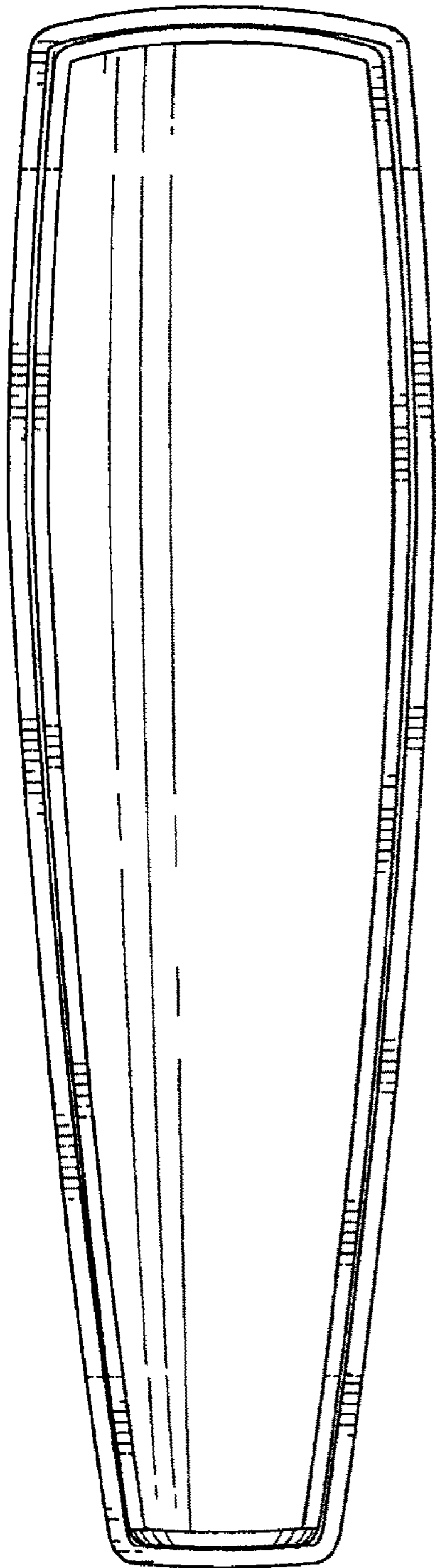


FIG. 4

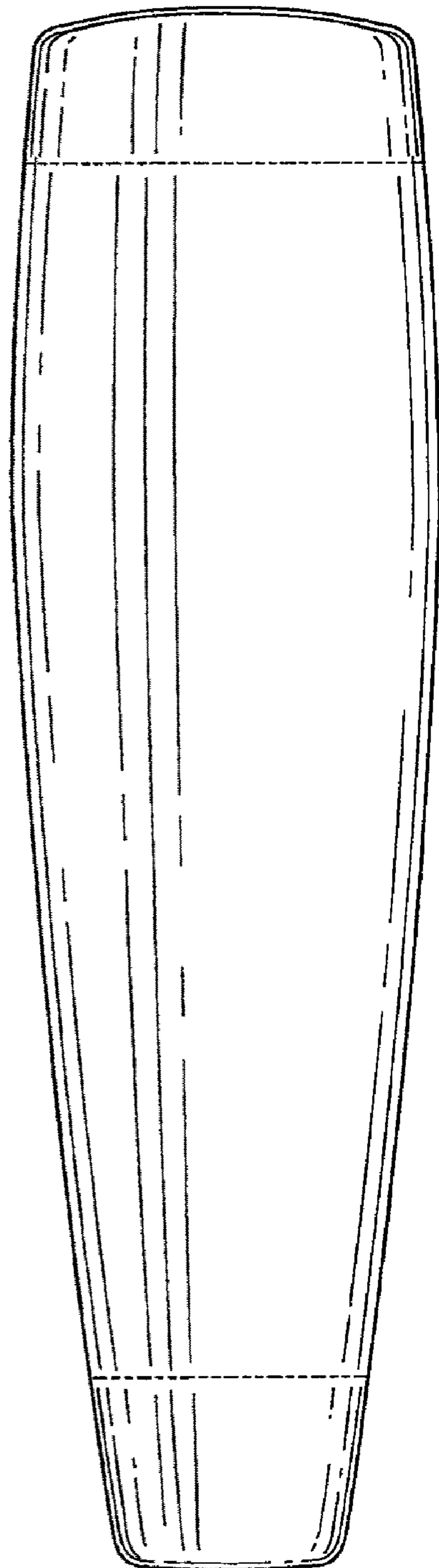


FIG. 5

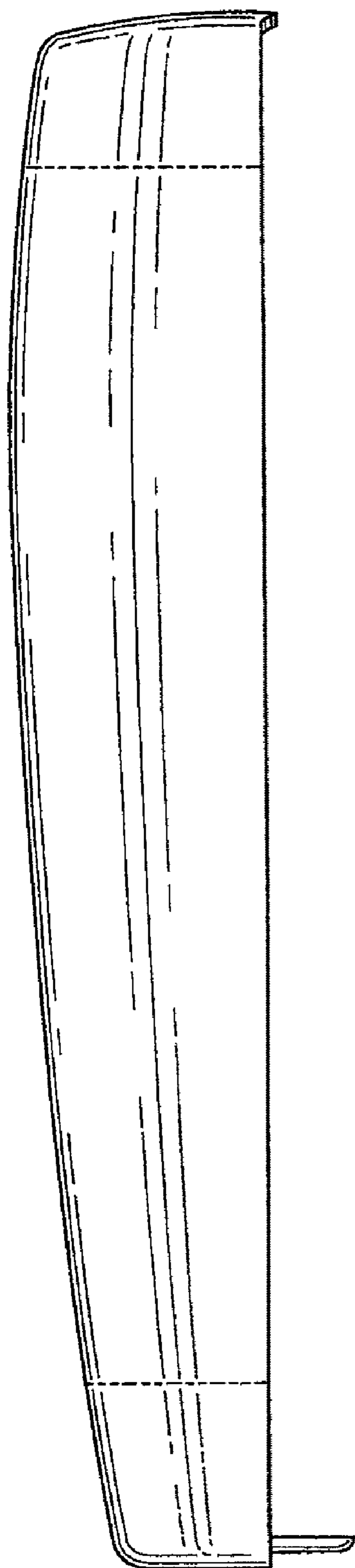


FIG. 6

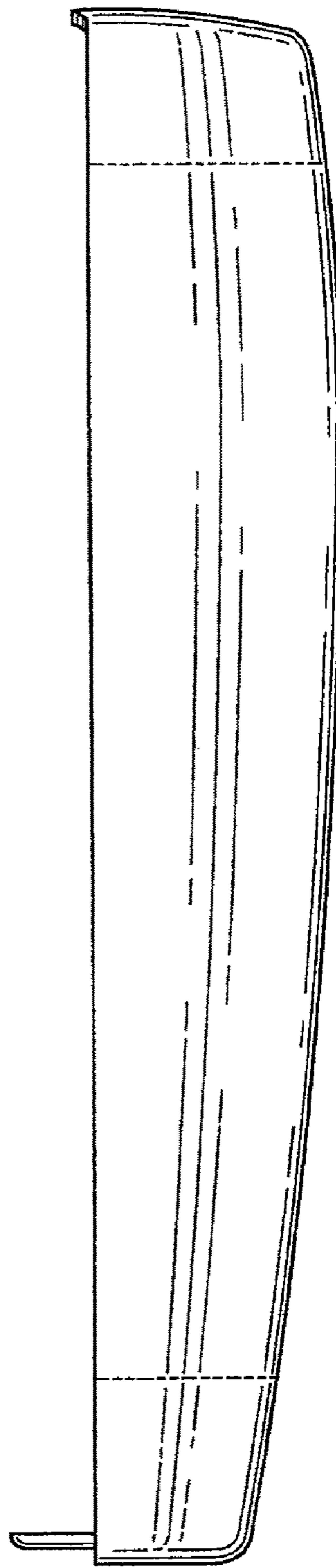


FIG. 7

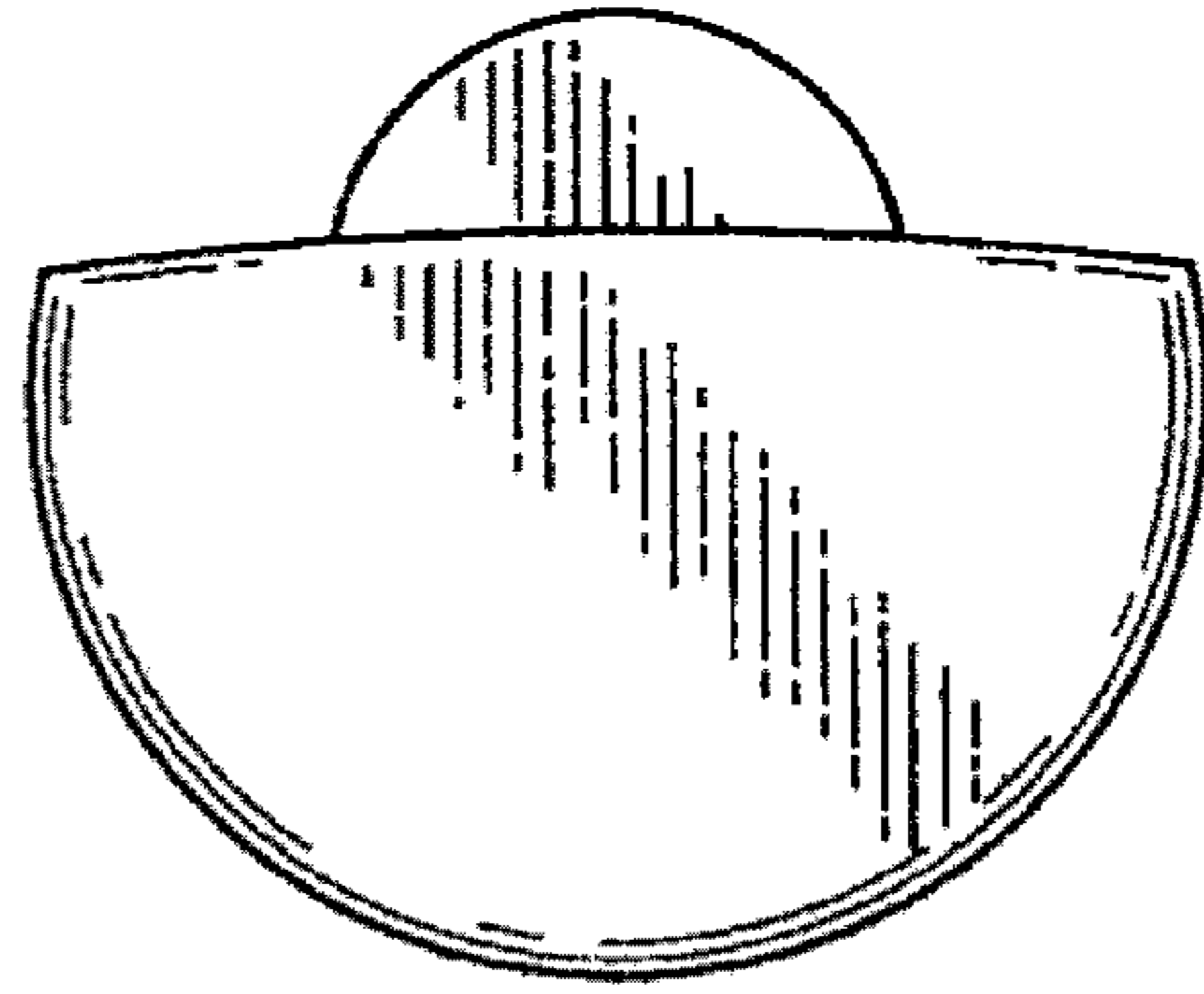


FIG. 8

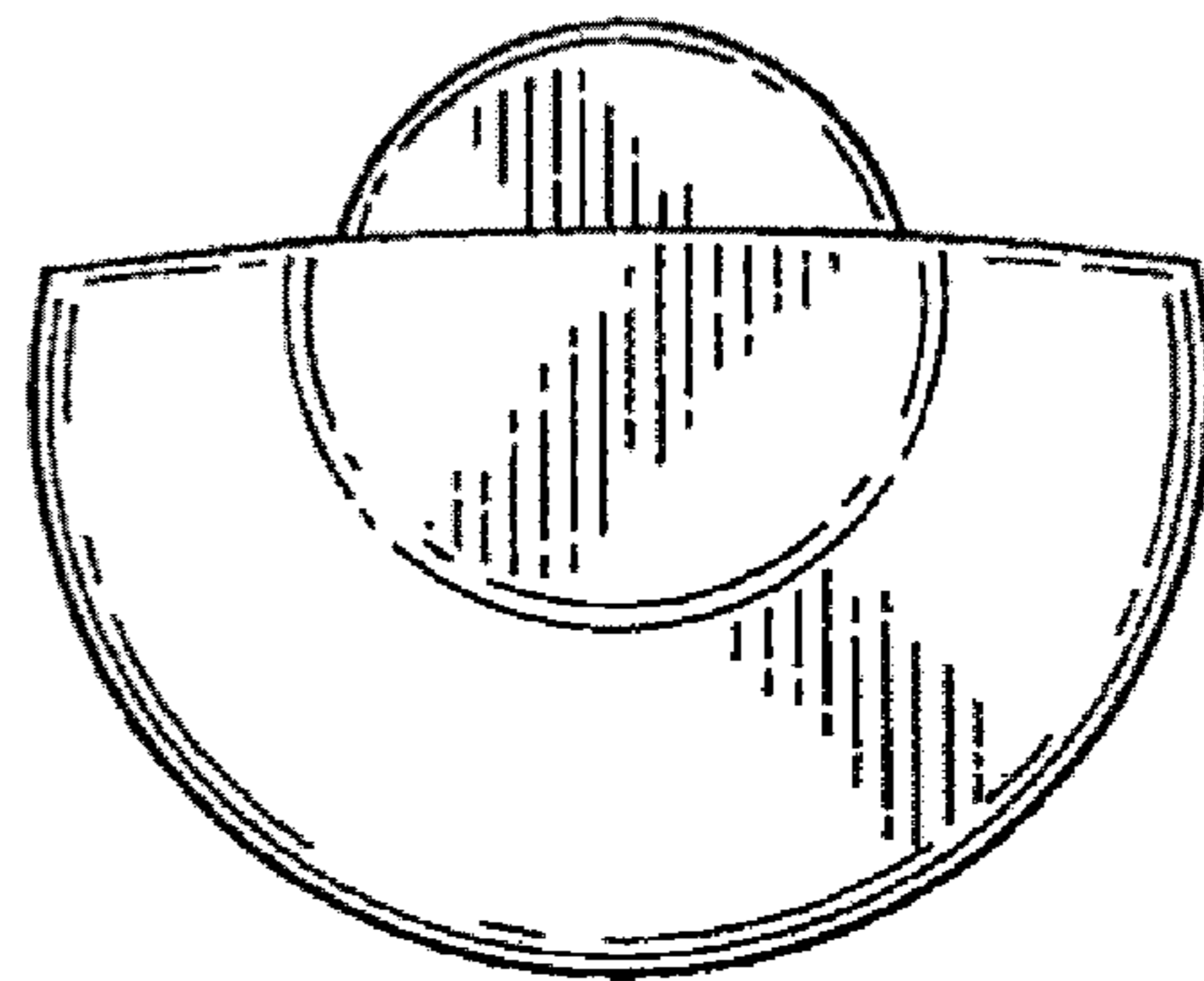


FIG. 9

UNITED STATES PATENT AND TRADEMARK OFFICE  
**CERTIFICATE OF CORRECTION**

PATENT NO. : D674,188 S  
APPLICATION NO. : 29/375646  
DATED : January 15, 2013  
INVENTOR(S) : Rio Sabadicci

Page 1 of 1

It is certified that error appears in the above-identified patent and that said Letters Patent is hereby corrected as shown below:

Title page, item (54) and in the Specification, column 1, should read as follows:

WINE AERATOR TRAVEL CASE

Signed and Sealed this  
Third Day of September, 2013



Teresa Stanek Rea  
*Acting Director of the United States Patent and Trademark Office*