



US00D674185S

(12) **United States Design Patent**
Kao

(10) **Patent No.:** **US D674,185 S**

(45) **Date of Patent:** **** Jan. 15, 2013**

(54) **BOTTLE COVER**

Primary Examiner — Catheri Oliver-Garcia

(76) Inventor: **I-Feng Kao**, Tainan (TW)

(74) *Attorney, Agent, or Firm* — Alan Kamrath; Kamrath IP Lawfirm, P.A.

(**) Term: **14 Years**

(21) Appl. No.: **29/423,481**

(57) **CLAIM**

(22) Filed: **Jun. 1, 2012**

The ornamental design for a bottle cover, as shown and described.

(51) **LOC (9) Cl.** **03-01**

(52) **U.S. Cl.** **D3/229**

(58) **Field of Classification Search** D3/229,
D3/202; 224/148.3–148.6; D7/605–608,
D7/619.1, 619.2; 248/311.2; 383/25, 97,
383/110

DESCRIPTION

See application file for complete search history.

FIG. 1 is a perspective view of a bottle cover showing my design;

FIG. 2 is a front elevational view thereof, the rear elevational view being a mirror image thereof;

FIG. 3 is a left elevational view thereof, the right elevational view being a mirror image thereof;

FIG. 4 is a top view thereof; and,

FIG. 5 is a bottom view thereof.

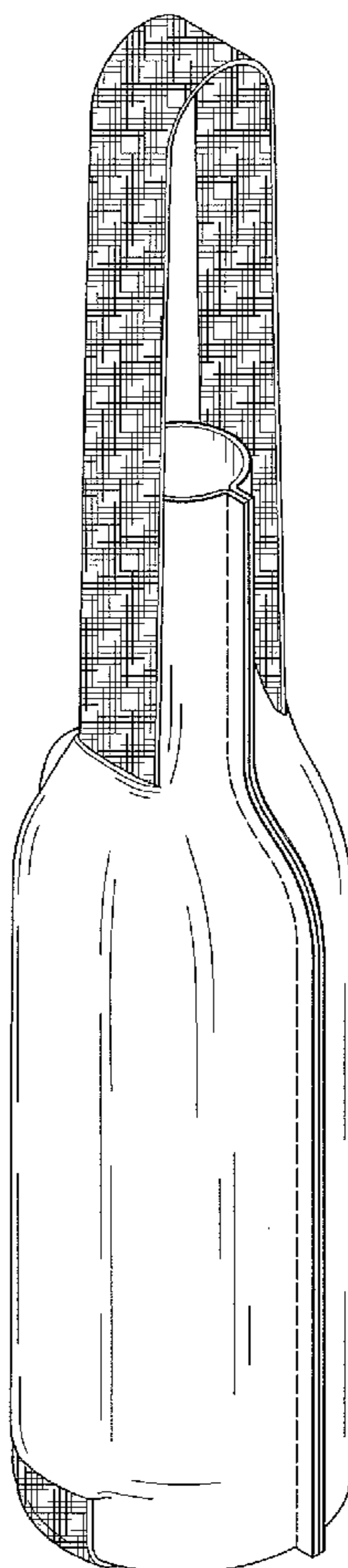
(56) **References Cited**

U.S. PATENT DOCUMENTS

4,197,890 A *	4/1980	Simko	383/97
D357,845 S *	5/1995	Herszenberg	D7/607
D379,711 S *	6/1997	Fitzgerald	D3/202

* cited by examiner

1 Claim, 5 Drawing Sheets



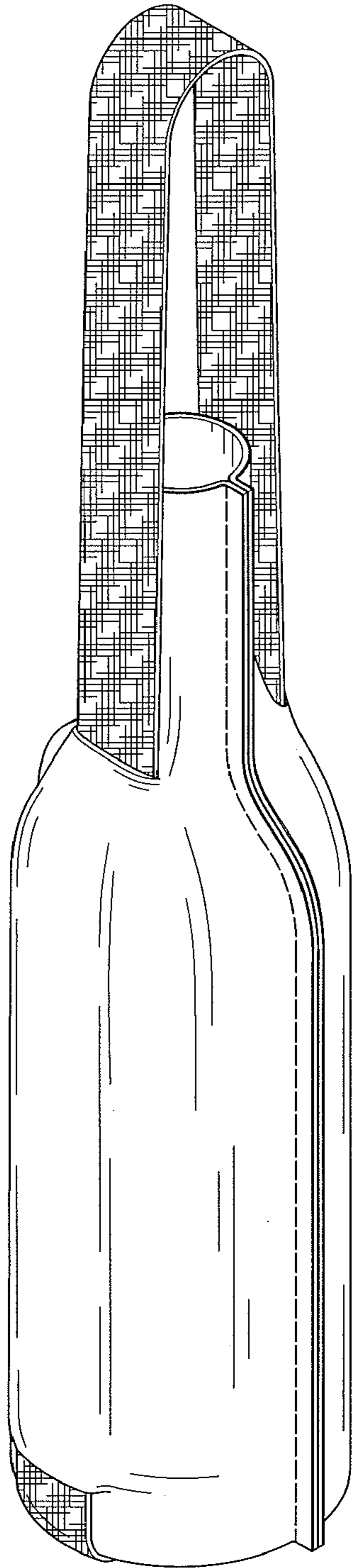


FIG. 1

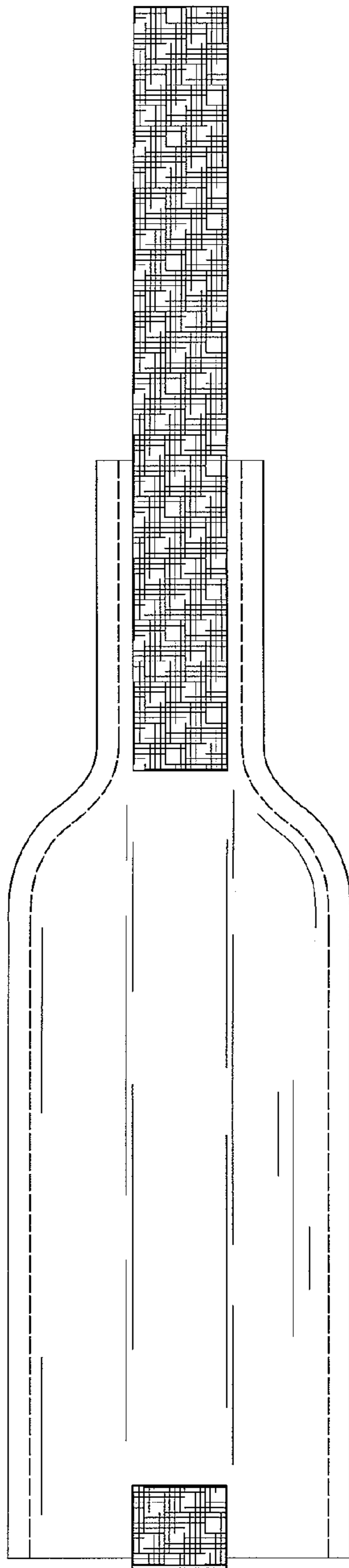


FIG.2

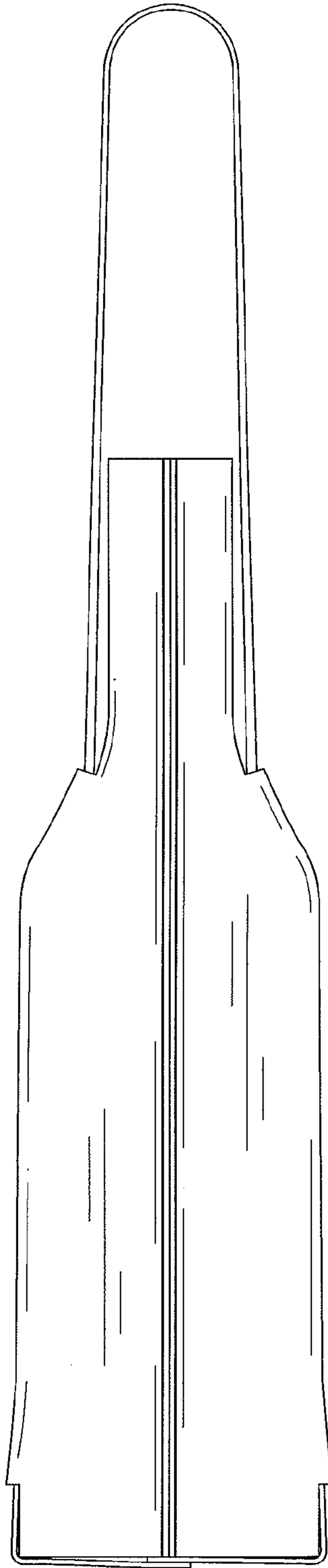


FIG. 3

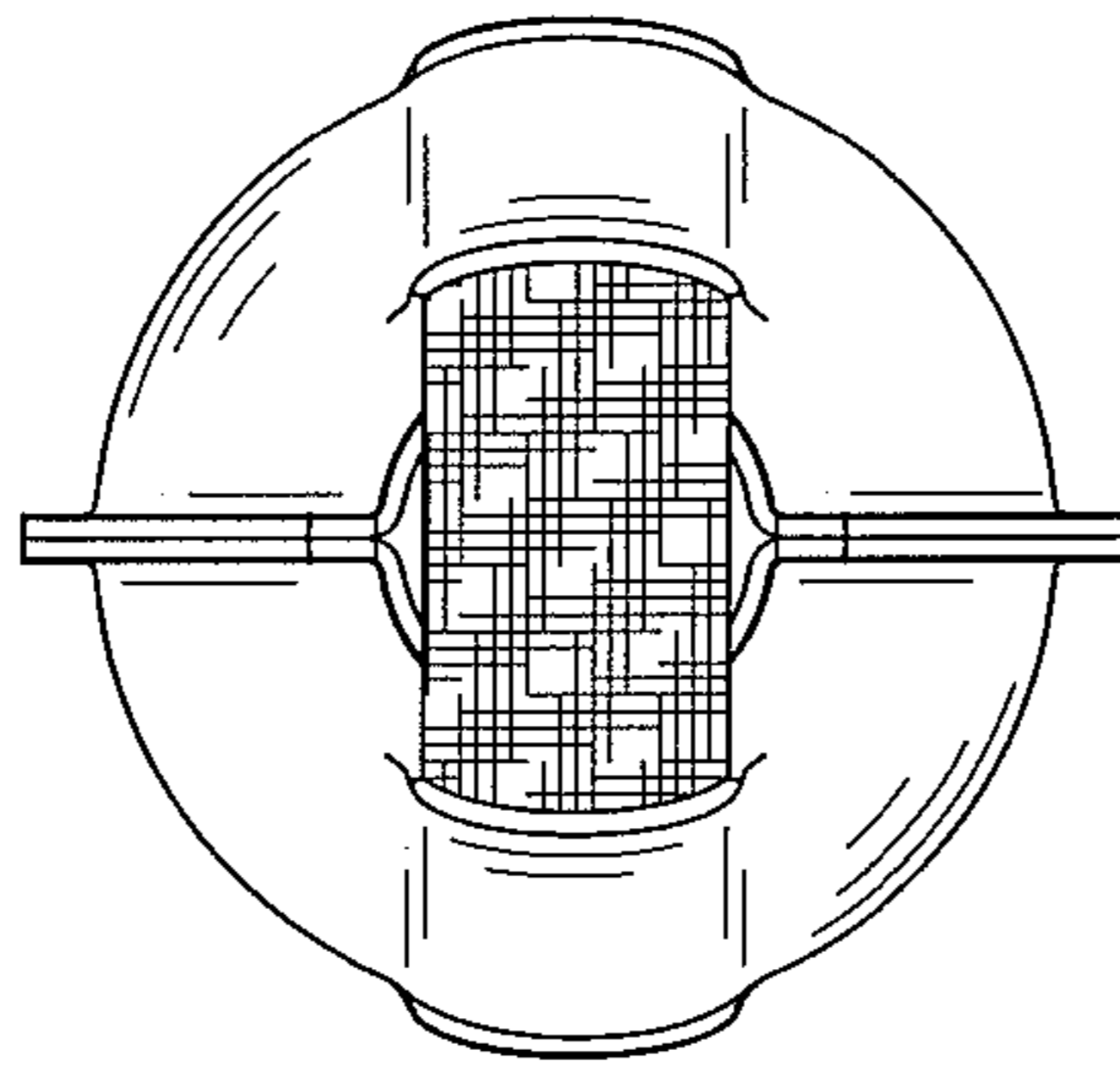


FIG.4

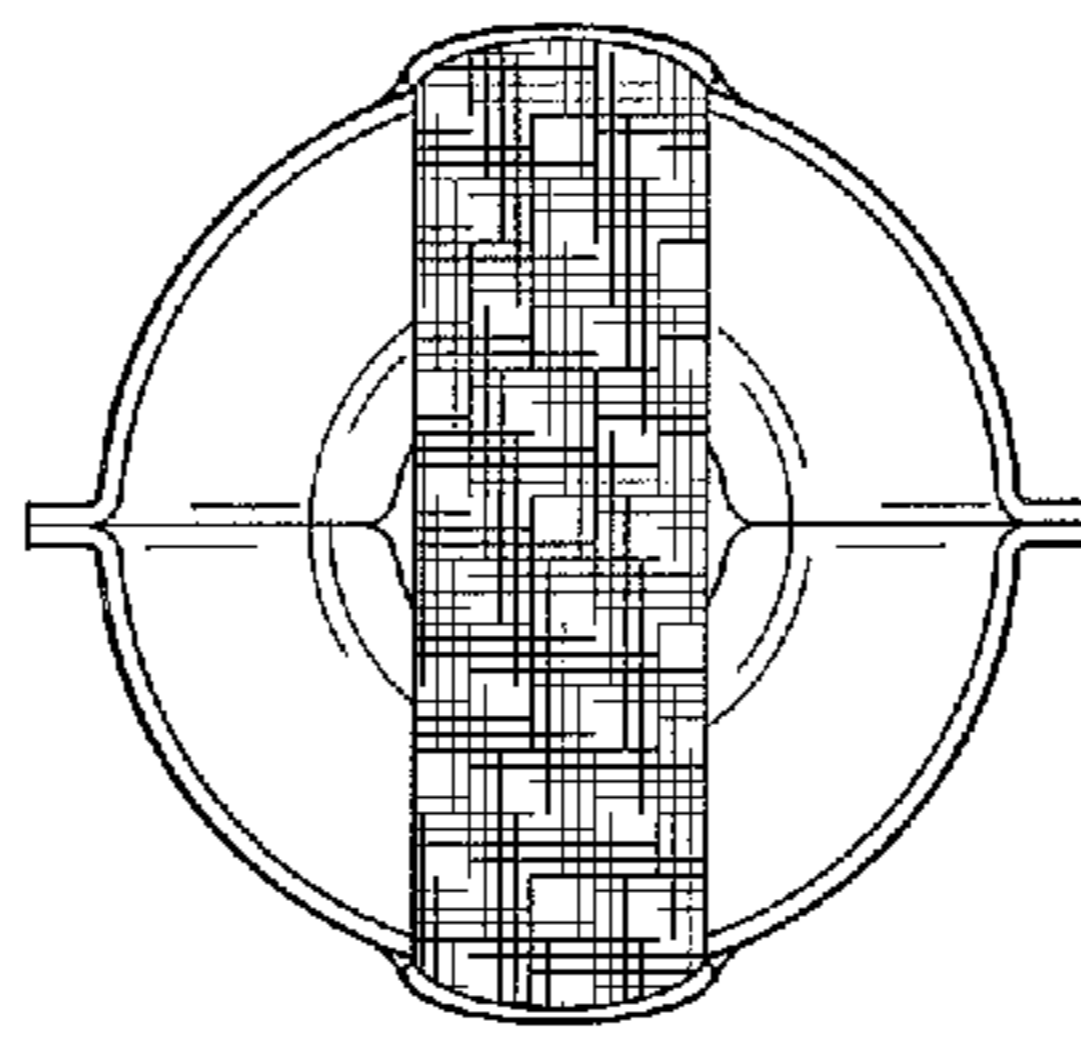


FIG. 5