

US00D674184S

(12) **United States Design Patent**
Pintado

(10) **Patent No.:** **US D674,184 S**
(45) **Date of Patent:** **** Jan. 15, 2013**

(54) **DIAPER BELT**

(76) Inventor: **Cindy Pintado**, Belton, MO (US)

(**) Term: **14 Years**

(21) Appl. No.: **29/418,845**

(22) Filed: **Apr. 23, 2012**

(51) **LOC (9) Cl.** **03-01**

(52) **U.S. Cl.** **D3/224**

(58) **Field of Classification Search** D3/224,
D3/221, 226, 228; 224/240-241, 245, 251,
224/660, 664, 677, 587, 581, 901.6

See application file for complete search history.

(56) **References Cited**

U.S. PATENT DOCUMENTS

D334,663 S * 4/1993 Petrillo D3/226
D384,808 S * 10/1997 Carretta D3/221
D411,038 S * 6/1999 Fair et al. D3/226

D411,659 S * 6/1999 Karton D3/226
D459,484 S * 6/2002 Erwin D3/215
6,508,391 B2 * 1/2003 Gilbert 224/664

* cited by examiner

Primary Examiner — Catheri Oliver-Garcia

(74) *Attorney, Agent, or Firm* — Intellectual Property Center, LLC; Arthur K. Shaffer

(57) **CLAIM**

The ornamental design for a diaper belt, as shown and described.

DESCRIPTION

FIG. 1 is a perspective view of a diaper belt in accordance with the present invention;

FIG. 2 is a front elevation view thereof;

FIG. 3 is a top plan view thereof;

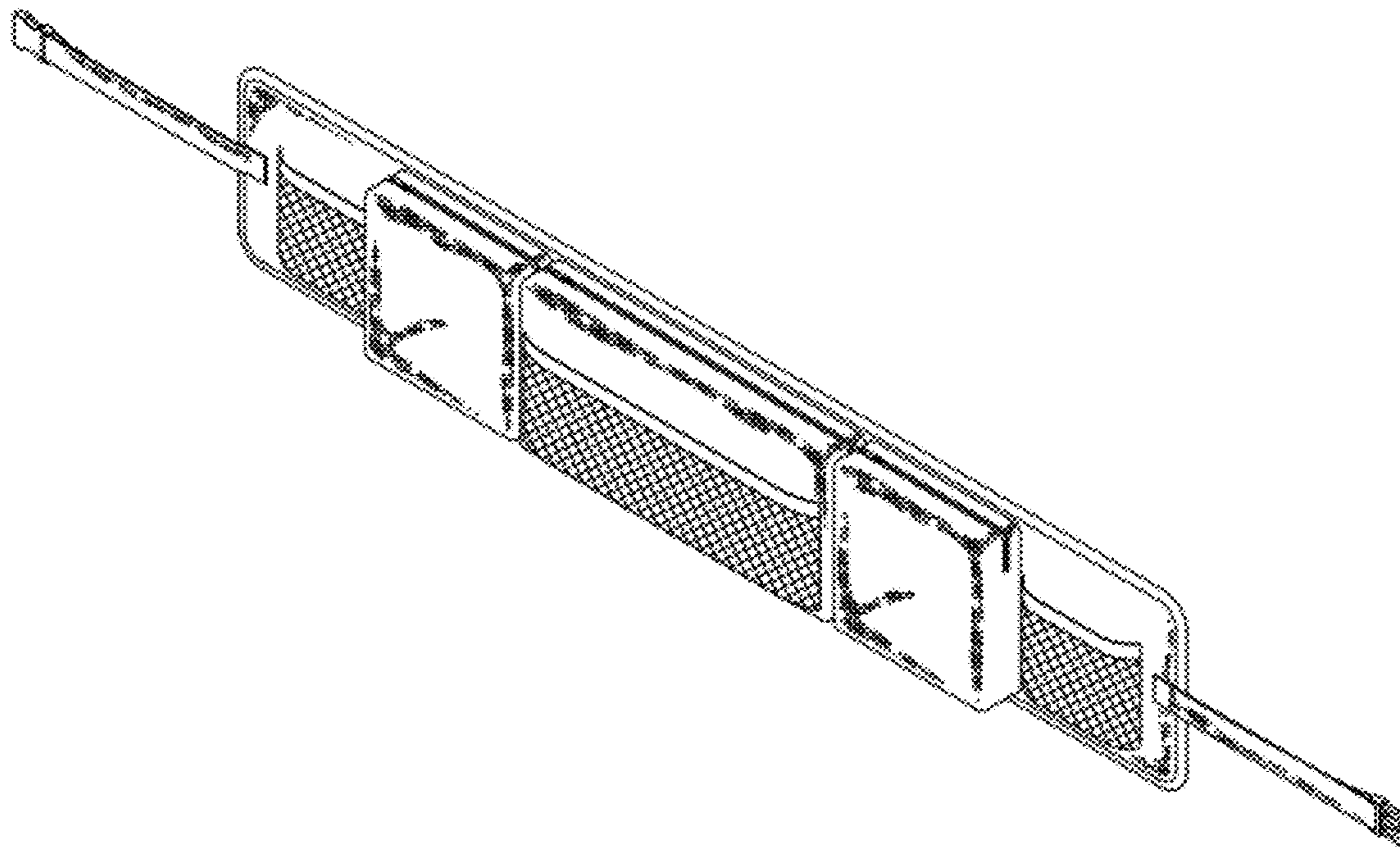
FIG. 4 is a bottom plan view thereof;

FIG. 5 is a left side view thereof; and,

FIG. 6 is a right side view thereof.

In FIGS. 1-6, the hatched lines depict character and contours of the surfaces form no part of the claimed design.

1 Claim, 3 Drawing Sheets



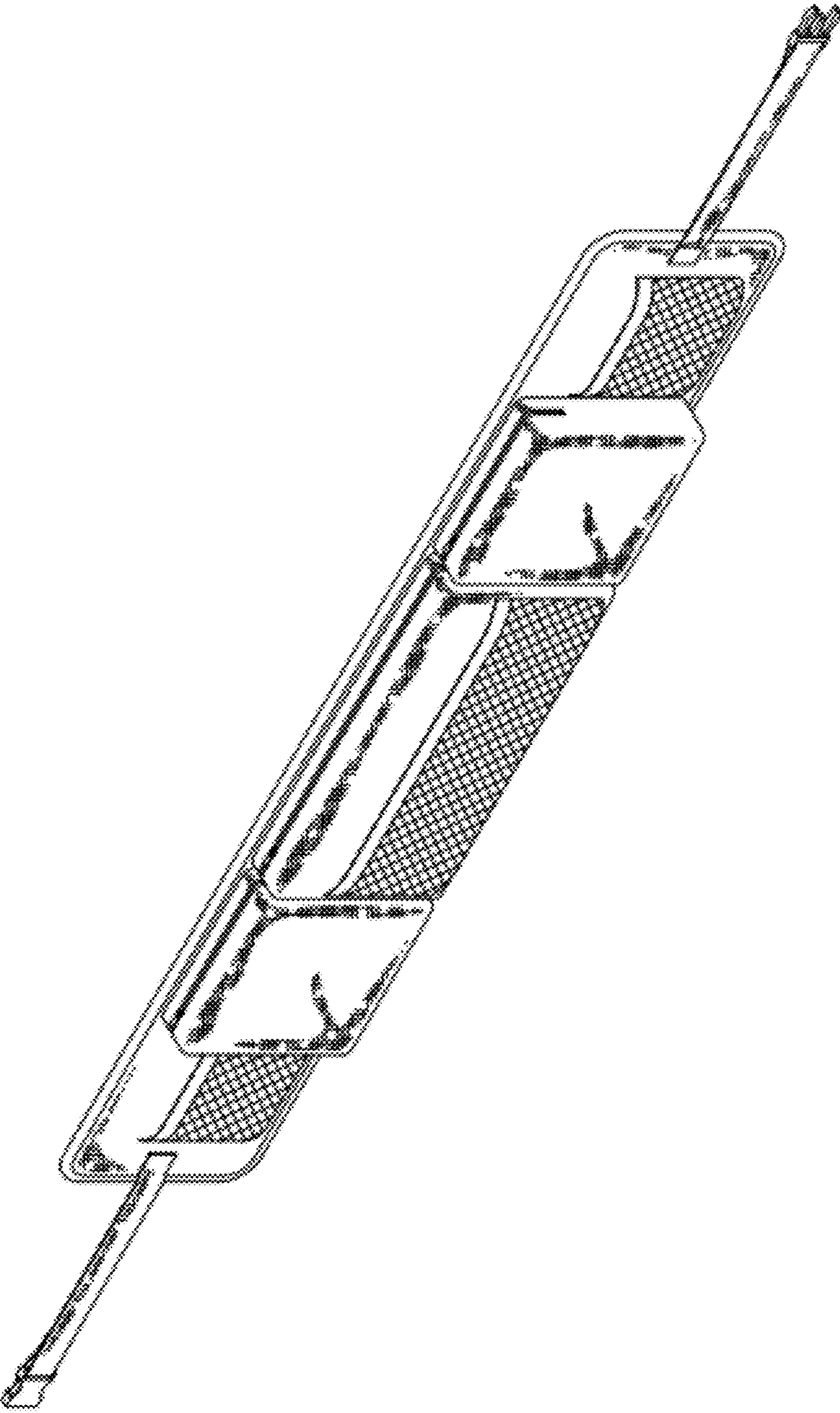


FIG.1

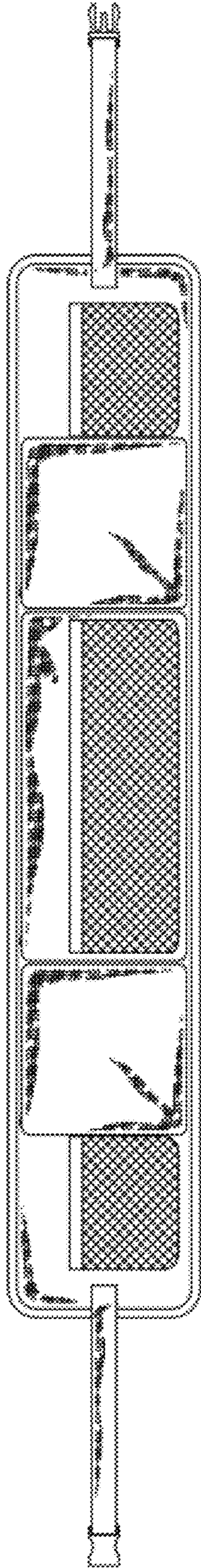


FIG. 2



FIG. 3



FIG. 4

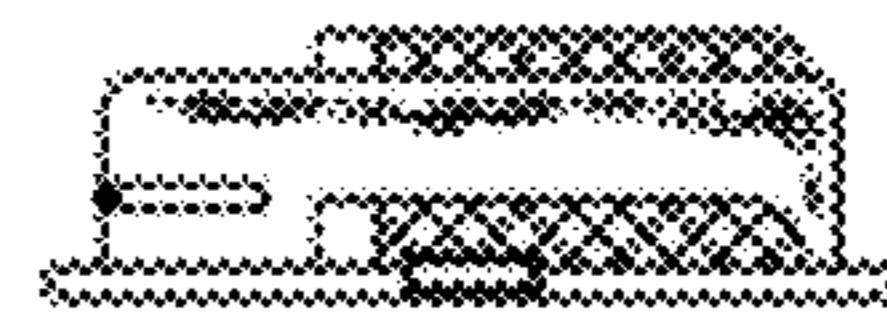


FIG. 5



FIG. 6