



US00D674182S

(12) **United States Design Patent**
Copeland et al.

(10) **Patent No.:** **US D674,182 S**

(45) **Date of Patent:** **** Jan. 15, 2013**

(54) **MULTI-FUNCTIONAL WEATHER ALERT
COMMUNICATION KEY CHAIN**

D627,962 S * 11/2010 Mudrick D3/208
D634,116 S * 3/2011 Ebling D3/207
D636,175 S * 4/2011 Edocs D3/207

(76) Inventors: **Clarence Copeland**, Clarkston, GA
(US); **Aaron Gardner**, Atlanta, GA
(US)

* cited by examiner

Primary Examiner — Ralf Seifert

(**) Term: **14 Years**

(57) **CLAIM**

The ornamental design for a multi-functional weather alert communication key chain, as shown and described.

(21) Appl. No.: **29/374,676**

DESCRIPTION

(22) Filed: **Sep. 20, 2011**

(51) **LOC (9) Cl.** **03-01**

(52) **U.S. Cl.** **D3/208**

(58) **Field of Classification Search** D11/1-2,
D11/14, 26-29, 89-92, 44, 48, 81, 99; 63/26-28,
63/32; D3/207-212; D8/16, 38, 347, 348;
70/456 B, 457, 458; 206/37.1; D21/576,
D21/593, 594, 606, 609, 610, 611, 659, 660;
706/931

See application file for complete search history.

FIG. 1 is a perspective view of the front display side of the multi-functional weather alert communication key chain showing my new design;

FIG. 2 is a perspective view of the rear side with USB port retracted;

FIG. 3 is a perspective view of the rear side with USB port extended;

FIG. 4 is a profile view of the base of the front display side;

FIG. 5 is a right profile view of the front display side;

FIG. 6 is the front display profile view;

FIG. 7 is the rear side profile view;

FIG. 8 is the profile view of the rear side; and,

FIG. 9 is the top profile view of the rear side.

The broken line showing of a key ring in FIGS. 1 and 6 is included for the purpose of illustrating environmental matter and forms no part of the claimed design.

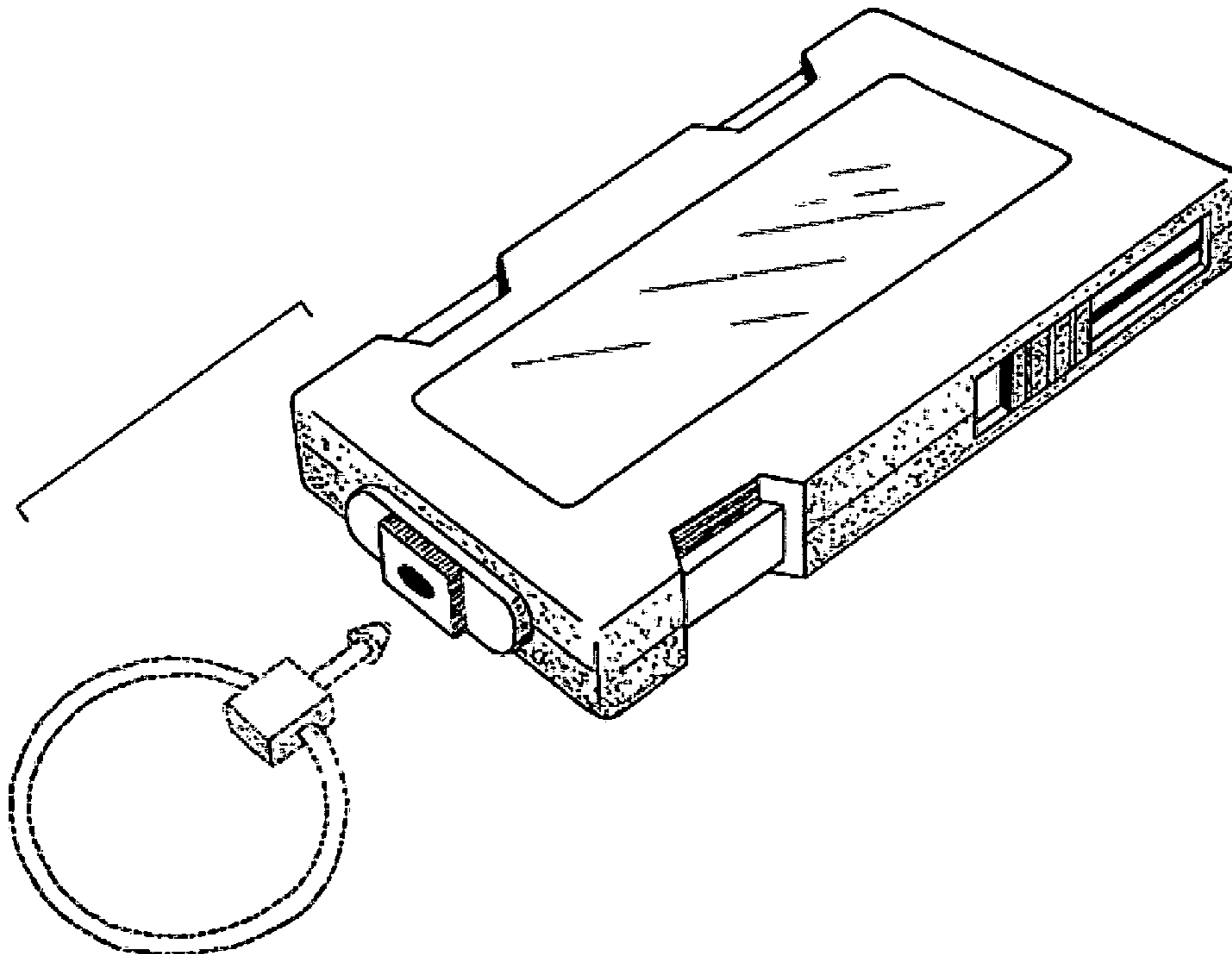
The present invention encompasses a small portable key chain device which receives disaster and/or radio broadcast worldwide.

(56) **References Cited**

U.S. PATENT DOCUMENTS

4,776,191 A * 10/1988 MacDonald 70/459
D310,306 S * 9/1990 MacDonald D3/207
D310,753 S * 9/1990 Stillwagon et al. D3/207
D525,778 S * 8/2006 Jaricot D3/208
D601,338 S * 10/2009 Mutcher D3/207

1 Claim, 5 Drawing Sheets



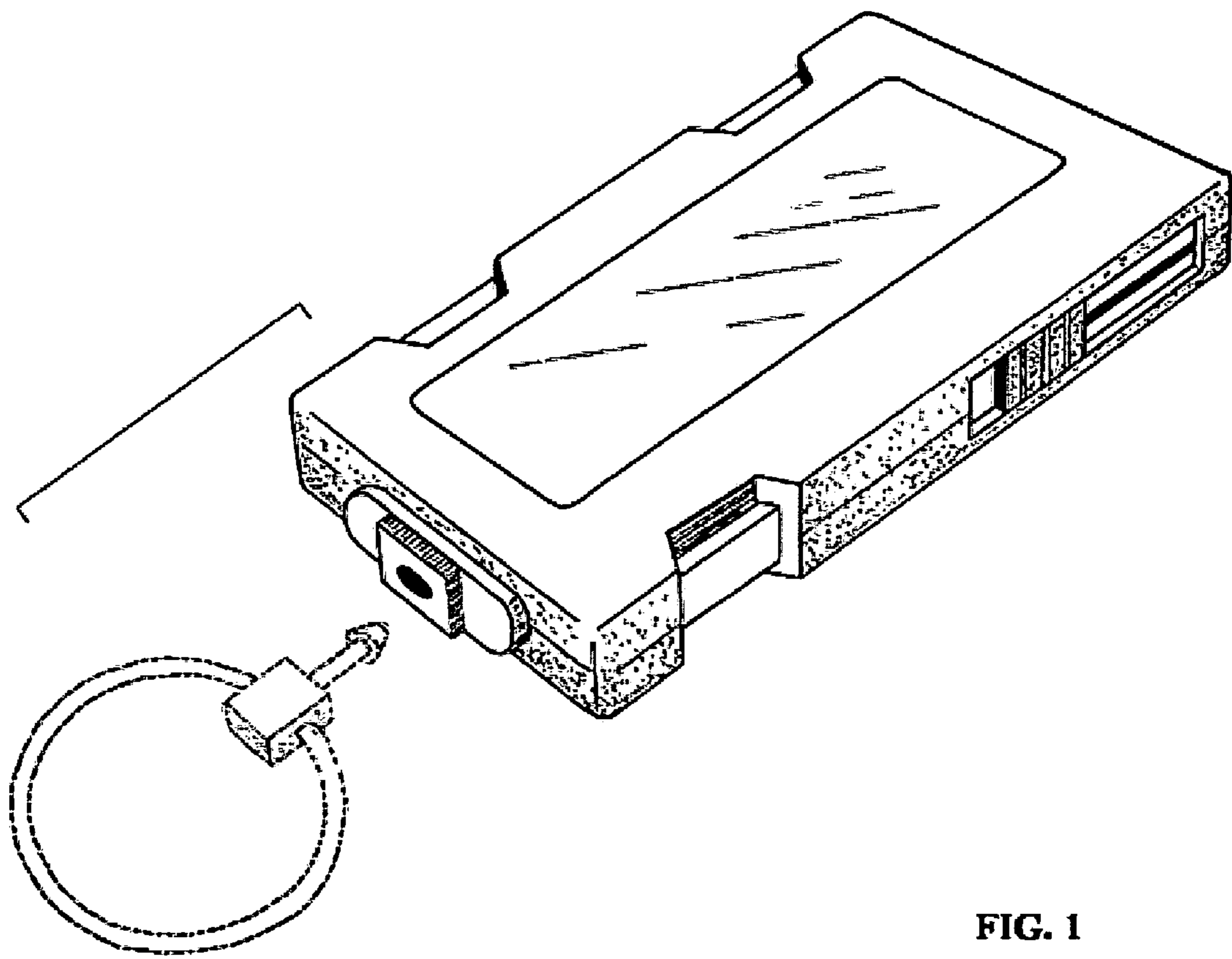


FIG. 1

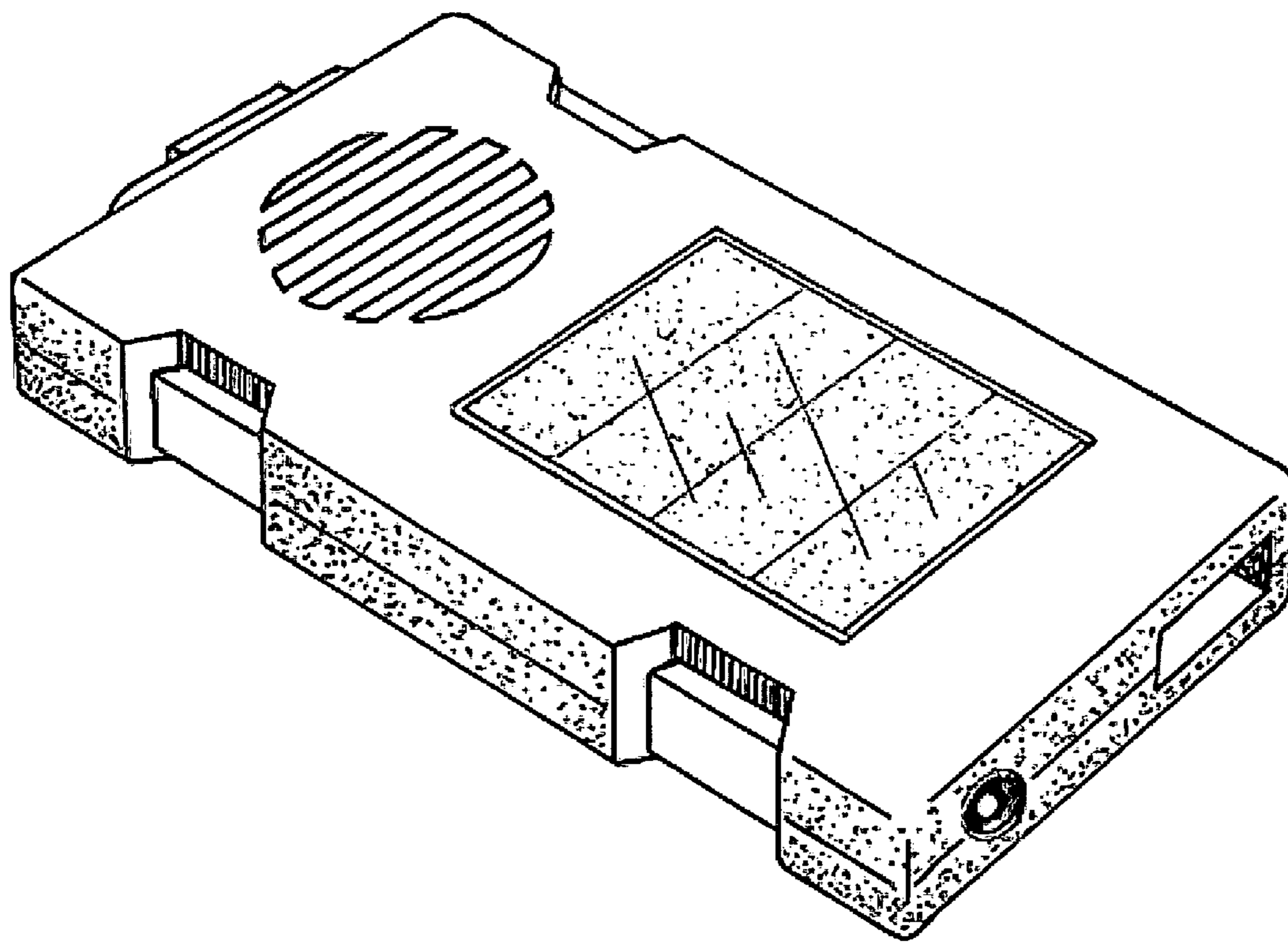


FIG. 2

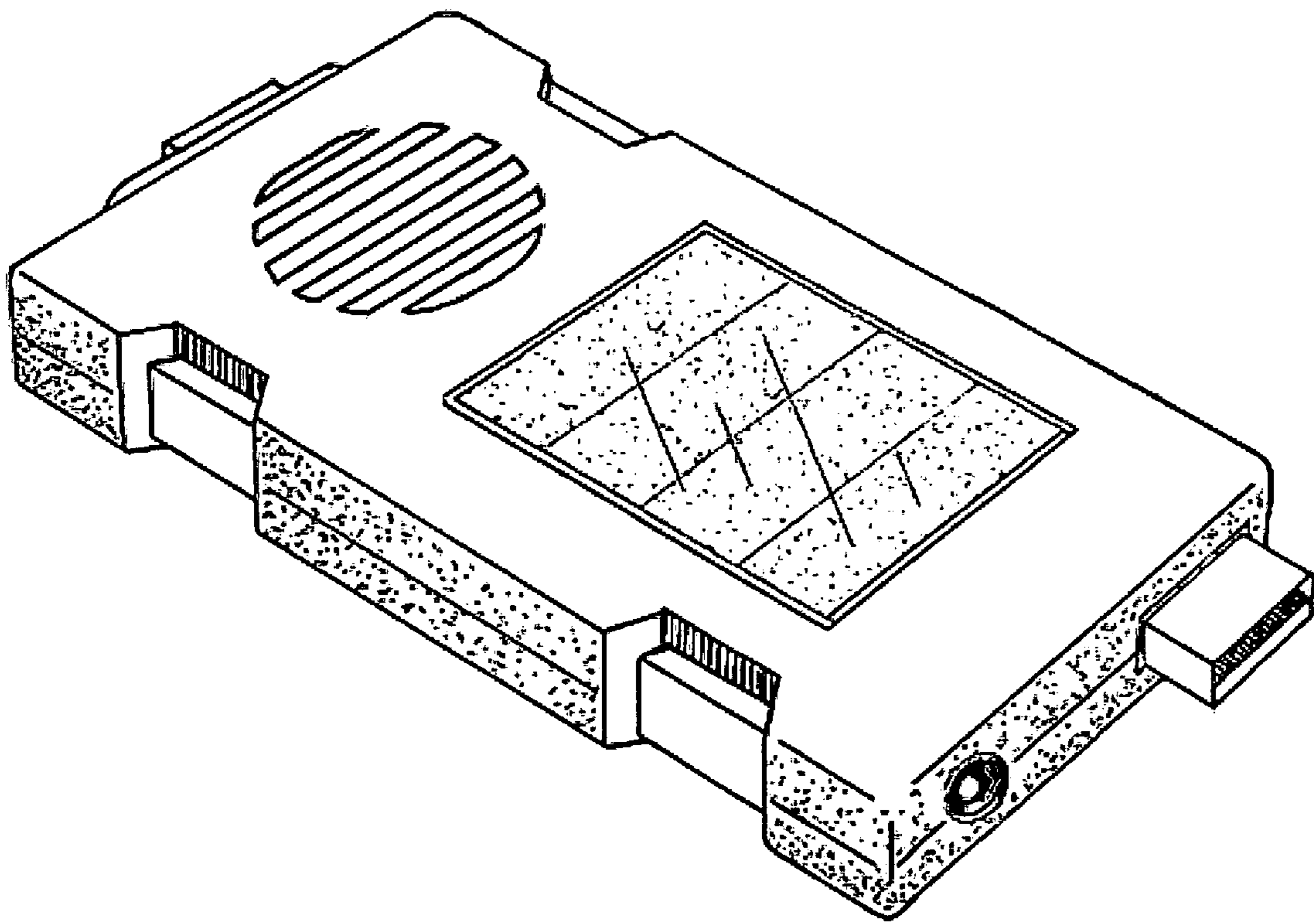


FIG. 3

FIG. 6

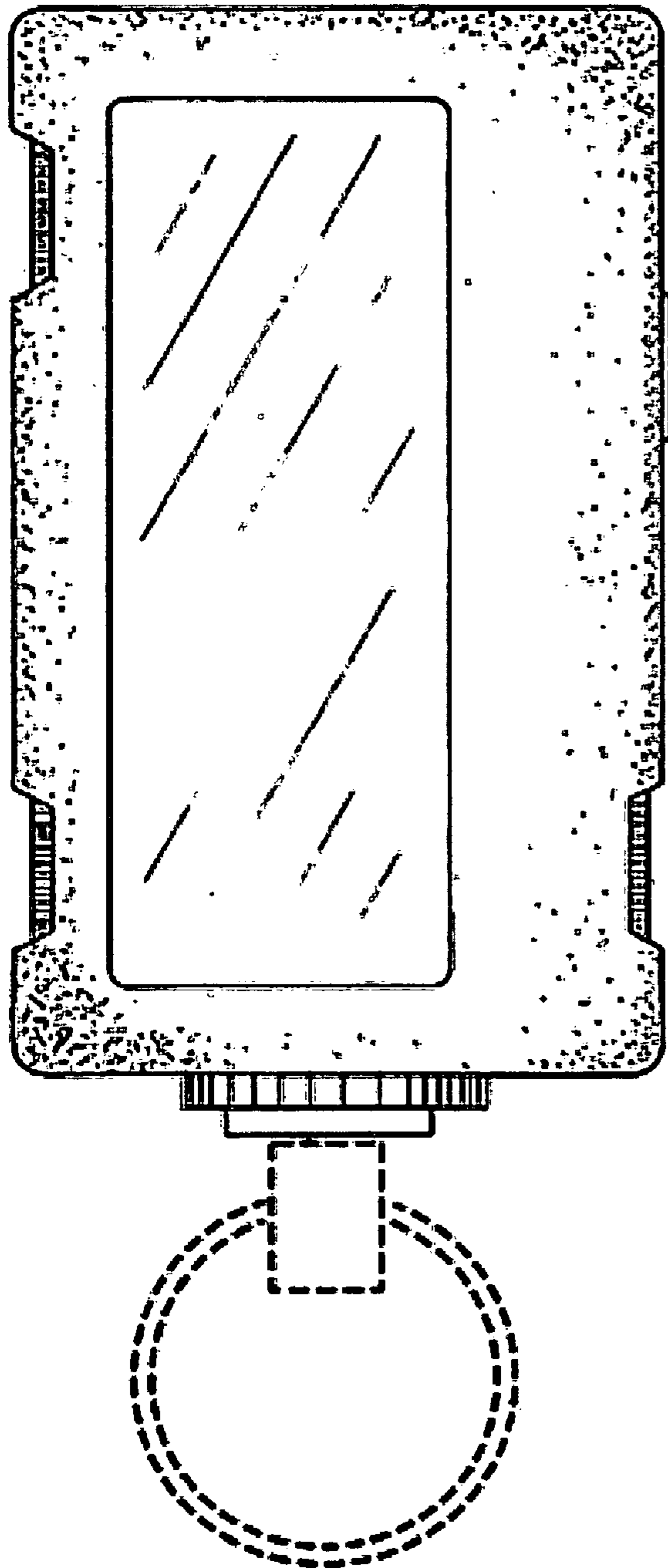


FIG. 5

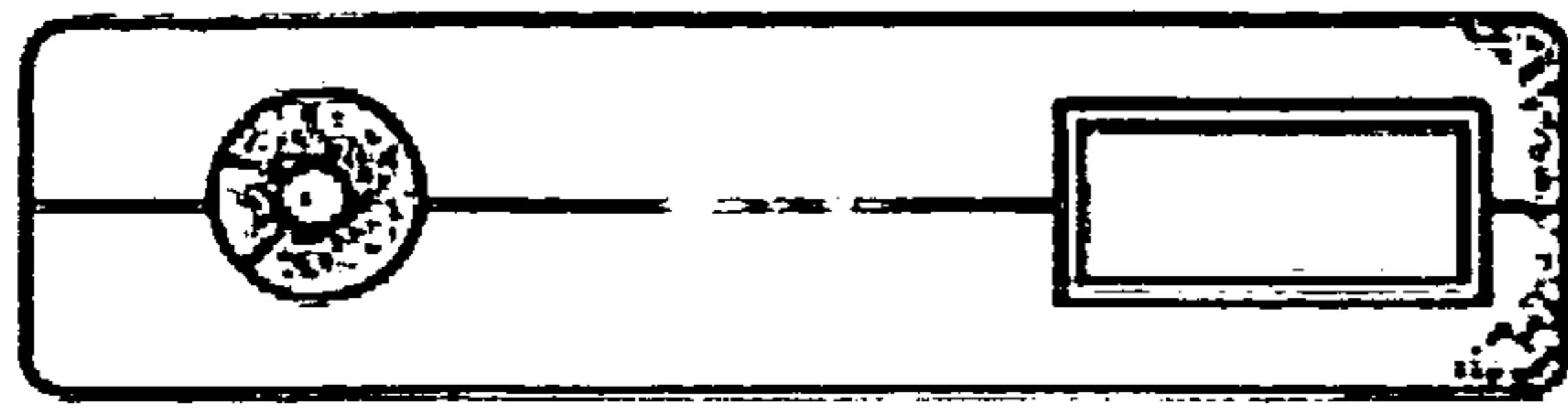


FIG. 4

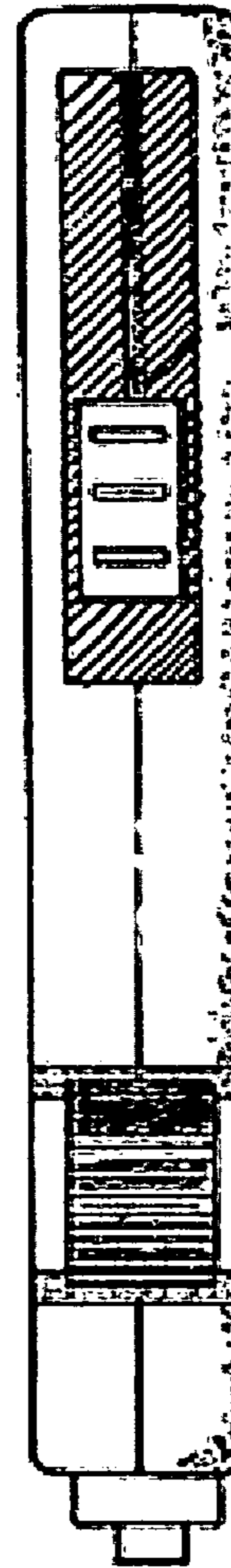


FIG. 9

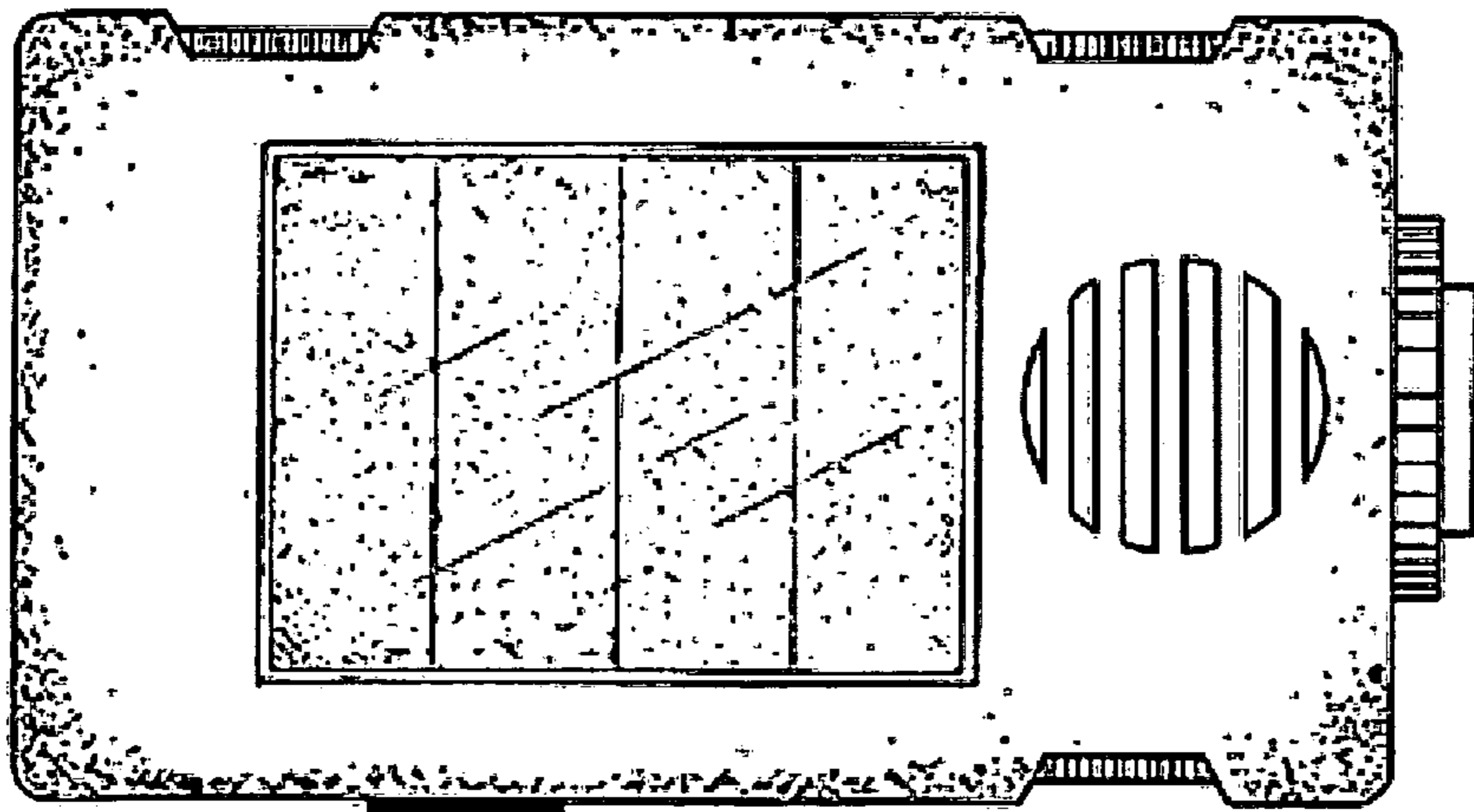
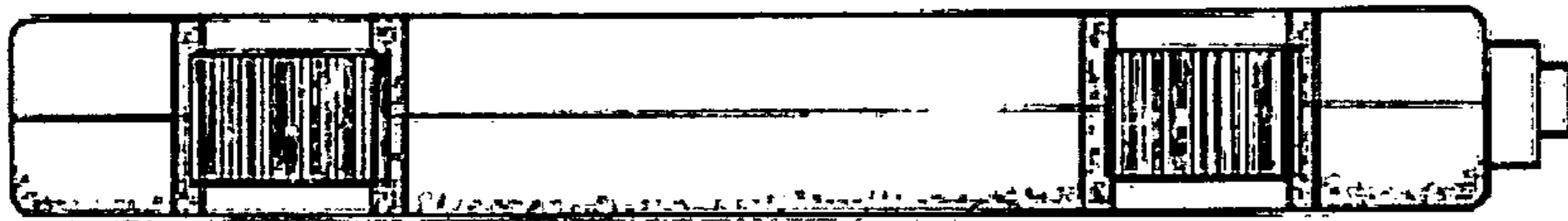


FIG. 7

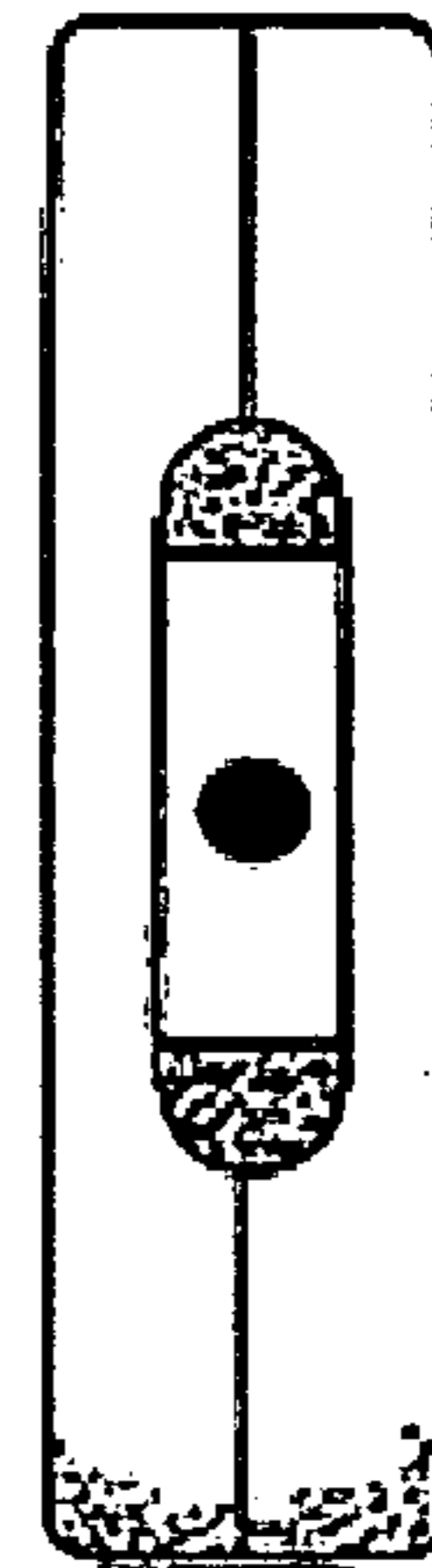


FIG. 8