



US00D674165S

(12) **United States Design Patent**  
**Edwards**

(10) **Patent No.:** **US D674,165 S**  
(45) **Date of Patent:** **\*\* Jan. 8, 2013**

(54) **BASE ASSEMBLY FOR A CONTAINER**

(76) Inventor: **Robert A. Edwards**, Hamilton (CA)

(\*\*) Term: **14 Years**

(21) Appl. No.: **29/404,923**

(22) Filed: **Oct. 26, 2011**

(51) **LOC (9) Cl.** ..... **09-08**

(52) **U.S. Cl.** ..... **D34/38**

(58) **Field of Classification Search** ..... D34/38;  
108/51.11, 53.1, 53.3, 57.28, 57.32, 57.33;  
206/499, 503; 248/346.02

See application file for complete search history.

(56) **References Cited**

**U.S. PATENT DOCUMENTS**

D240,212 S *	6/1976	Zinn	.....	D34/38
4,099,640 A *	7/1978	Nessfield et al.	.....	220/6
4,162,737 A *	7/1979	Clive-Smith	.....	220/1.5
4,319,732 A *	3/1982	Godfrey	.....	248/346.3
4,355,732 A *	10/1982	Nessfield	.....	220/1.5
4,638,744 A *	1/1987	Clive-Smith	.....	108/56.1
4,875,814 A *	10/1989	Weller	.....	410/66
4,911,318 A *	3/1990	Bishop	.....	220/1.5
4,964,349 A *	10/1990	Bishop	.....	108/55.1
5,275,301 A *	1/1994	Clive-Smith	.....	220/1.5
5,398,832 A *	3/1995	Clive-Smith	.....	220/1.5
5,494,182 A *	2/1996	Clive-Smith	.....	220/6
5,983,806 A	11/1999	Brennan, Jr. et al.	.....	
D441,166 S *	4/2001	Bowman et al.	.....	D34/38
D442,759 S *	5/2001	Bowman et al.	.....	D34/38

D492,834 S *	7/2004	Tomes	.....	D34/38
D547,525 S *	7/2007	Naruishi et al.	.....	D34/38
D603,123 S *	10/2009	Canters et al.	.....	D34/38
D609,425 S *	2/2010	Svedberg	.....	D34/38
D645,635 S *	9/2011	Moore et al.	.....	D34/38
D661,545 S *	6/2012	Chen	.....	D7/401.2

**FOREIGN PATENT DOCUMENTS**

EP	1123872	5/2005
EP	2447188	5/2012
JP	2000247392	9/2000
WO	2007012115	2/2007
WO	2008150162	12/2008

\* cited by examiner

*Primary Examiner* — Cynthia Ramirez

(74) *Attorney, Agent, or Firm* — Banner & Witcoff, Ltd.

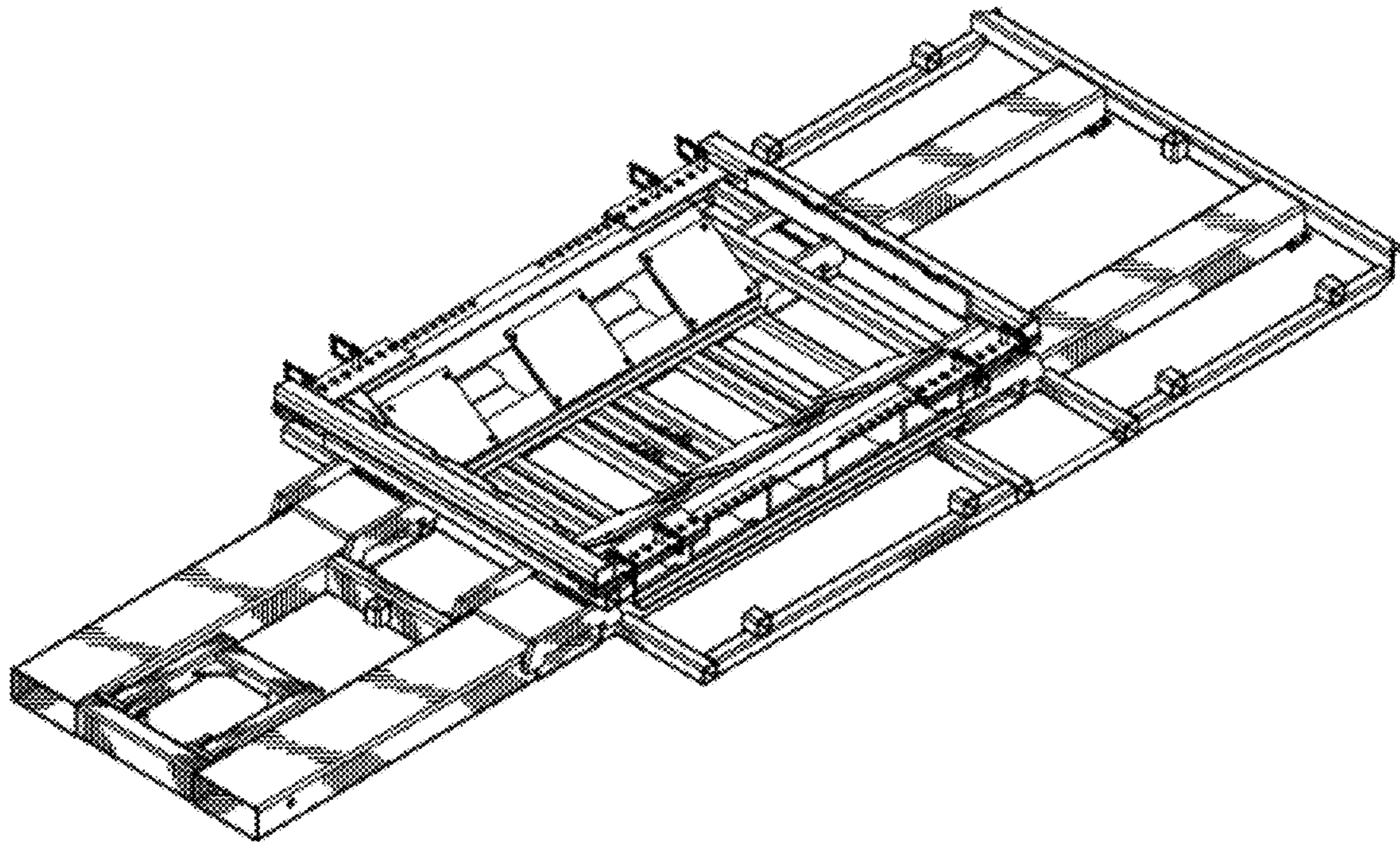
(57) **CLAIM**

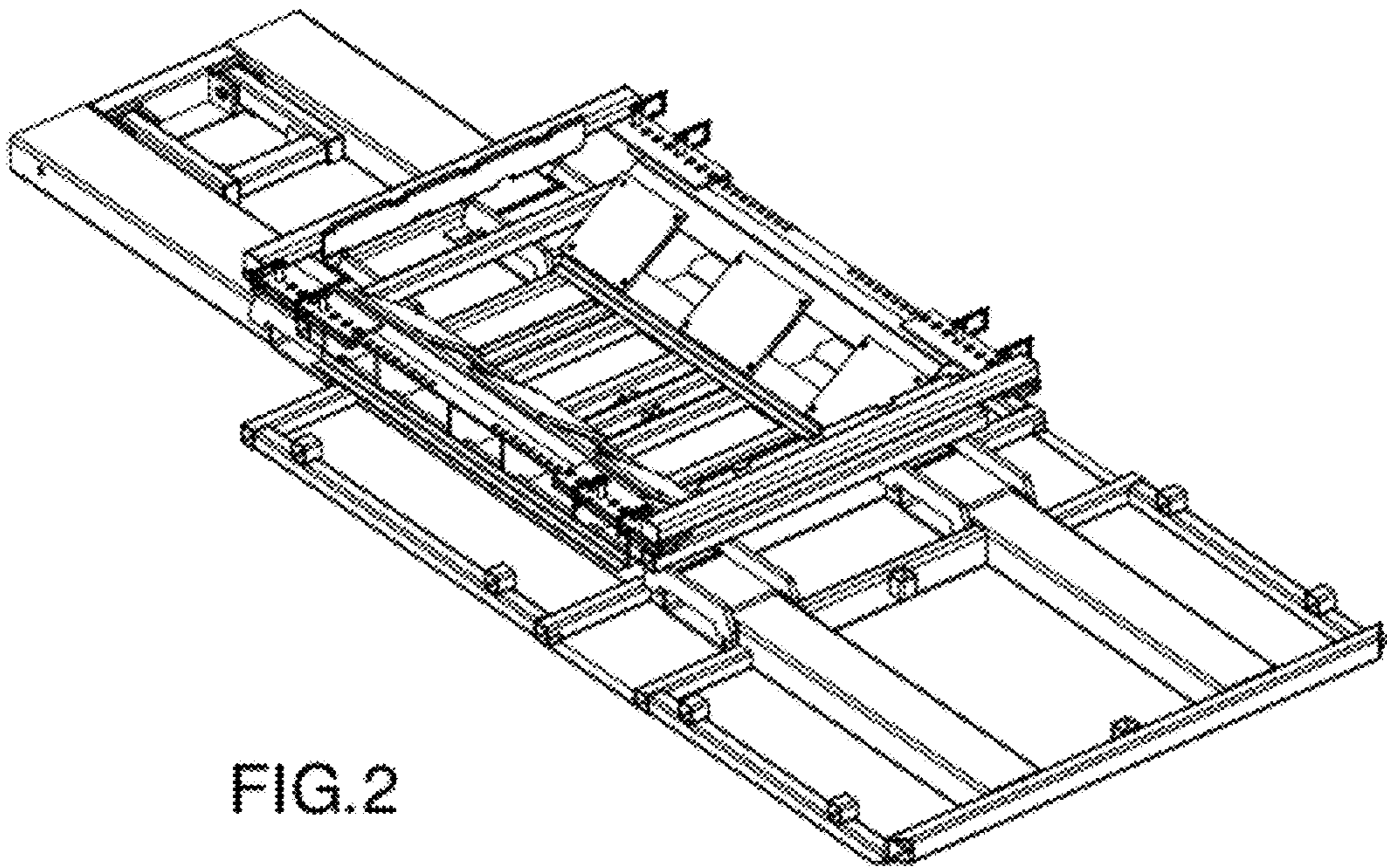
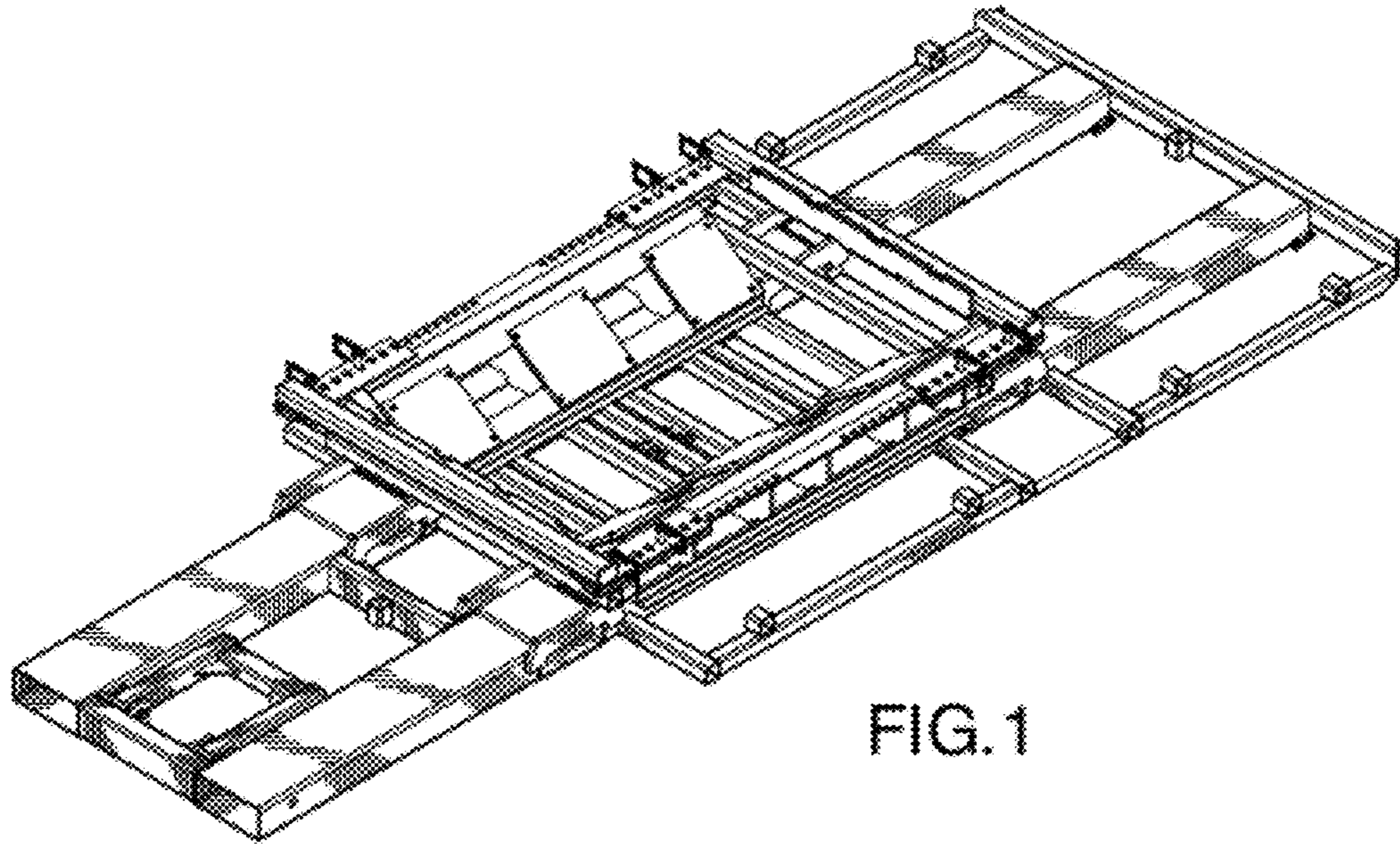
The ornamental design for a base assembly for a container, as shown and described.

**DESCRIPTION**

FIG. 1 is a front perspective view of a base assembly for a container showing my new design; FIG. 2 is a rear perspective view thereof; FIG. 3 is a top plan view thereof; FIG. 4 is a right side view thereof; FIG. 5 is a bottom plan view thereof; FIG. 6 is a left side view thereof; FIG. 7 is a front view thereof; and, FIG. 8 is a rear view thereof.

**1 Claim, 4 Drawing Sheets**





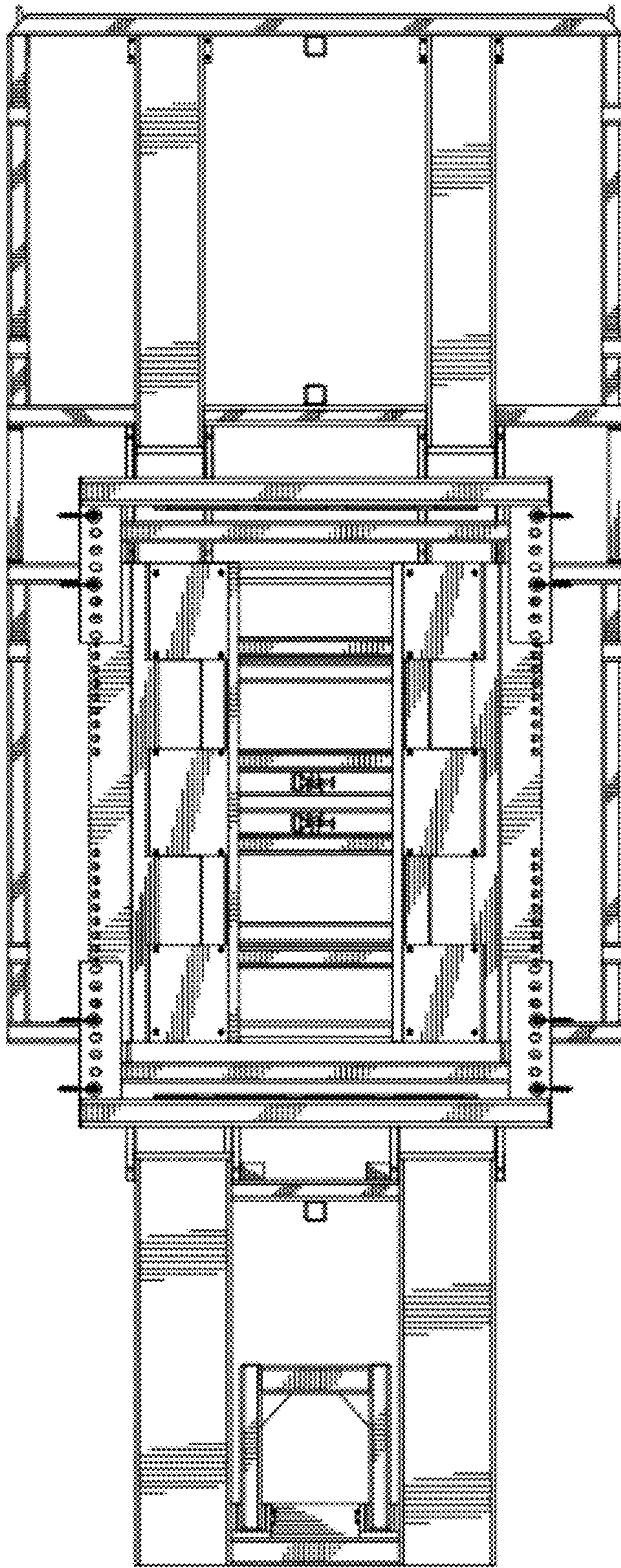


FIG.3

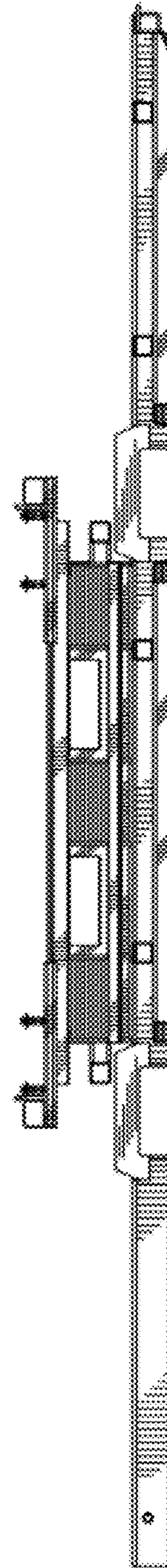


FIG.4

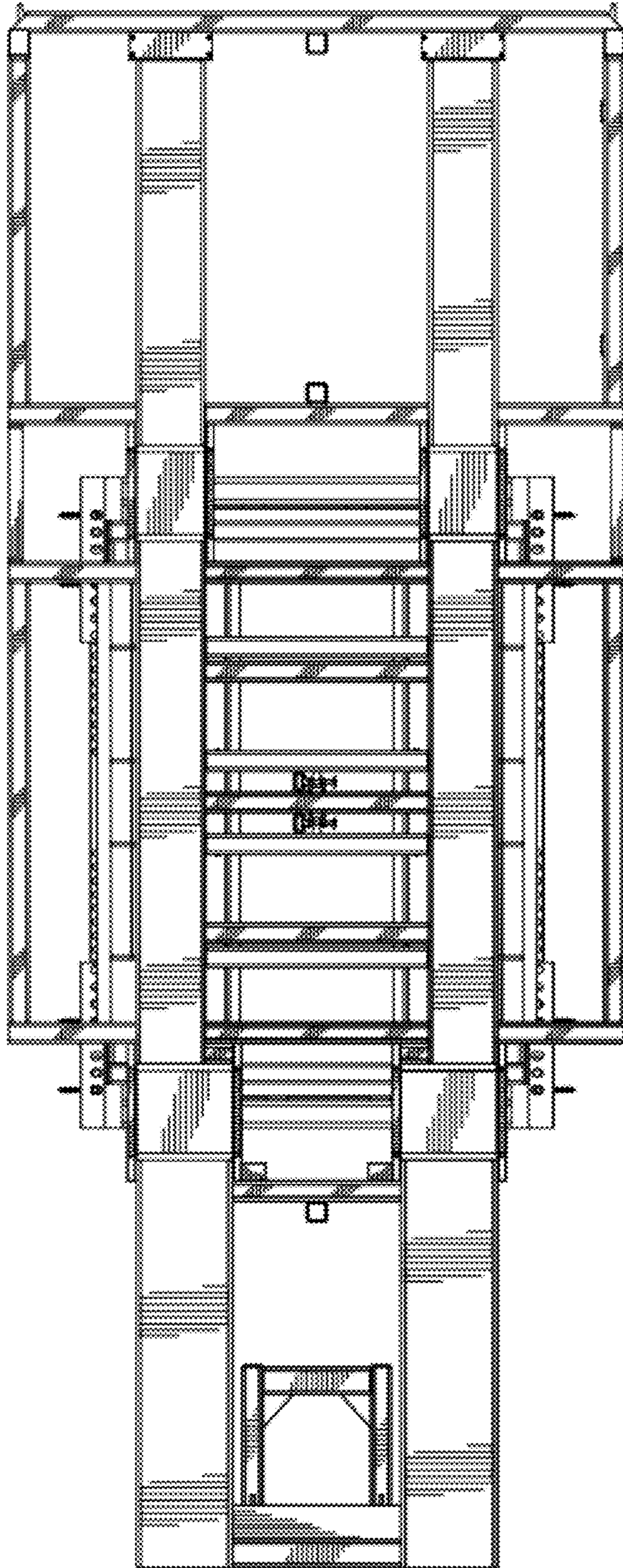


FIG. 5

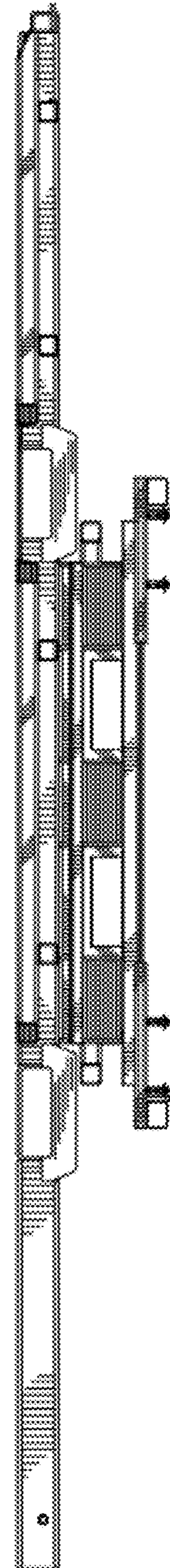


FIG. 6

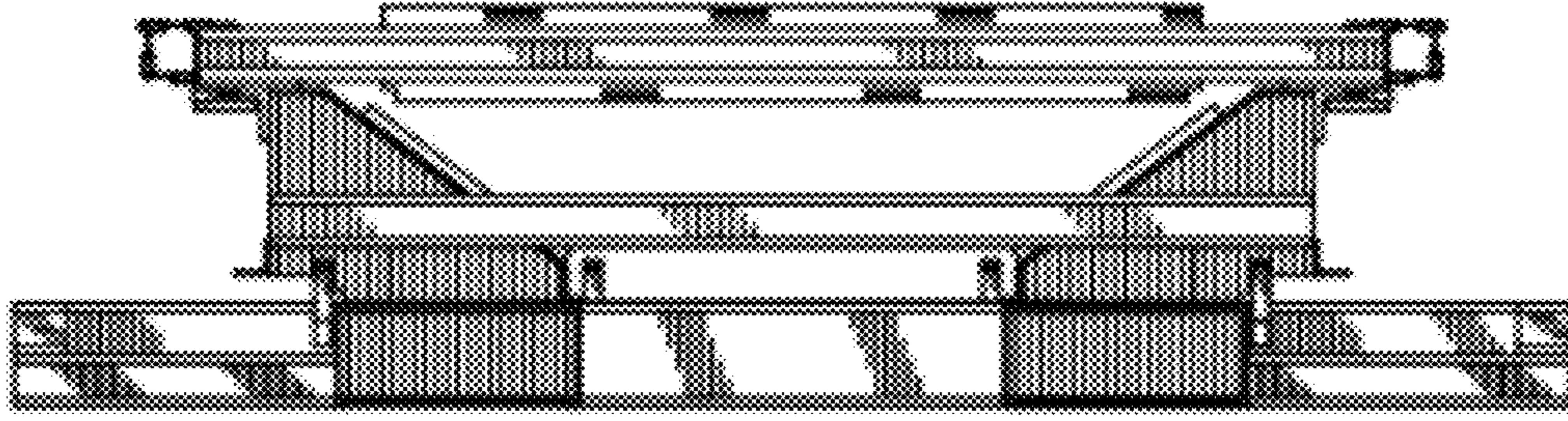


FIG. 7

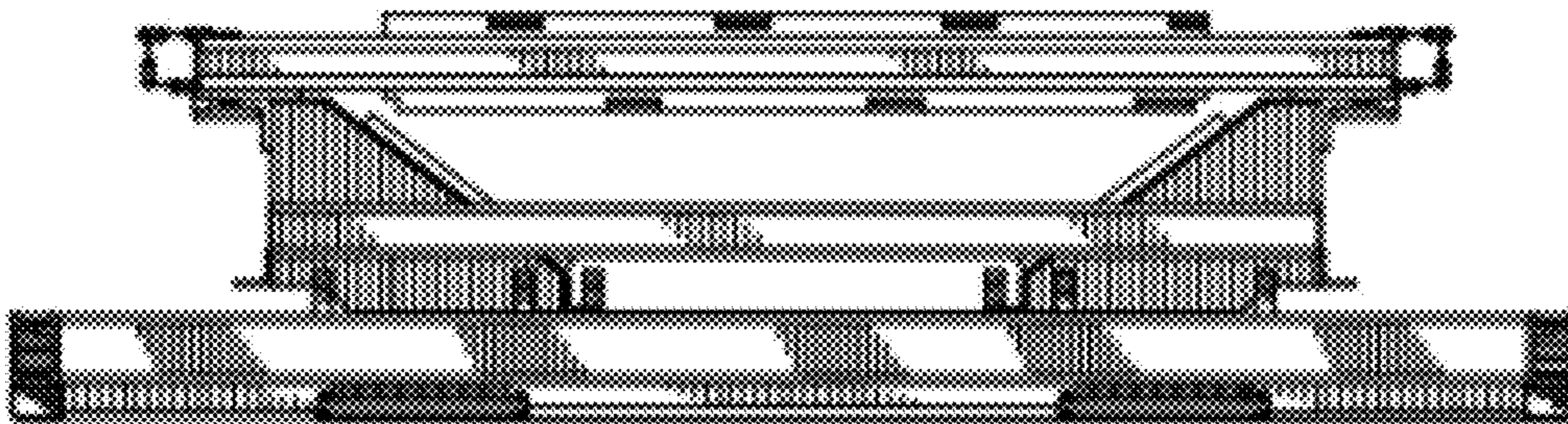


FIG. 8

UNITED STATES PATENT AND TRADEMARK OFFICE  
**CERTIFICATE OF CORRECTION**

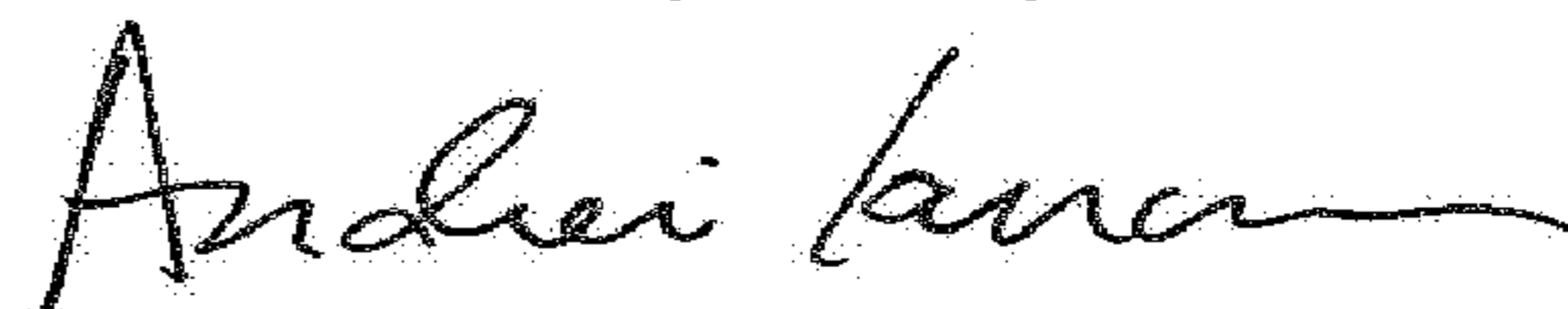
PATENT NO. : D674,165 S  
APPLICATION NO. : 29/404923  
DATED : January 8, 2013  
INVENTOR(S) : Robert A. Edwards et al.

Page 1 of 1

It is certified that error appears in the above-identified patent and that said Letters Patent is hereby corrected as shown below:

Please list Taiyong Guo as the second inventor in the “(76) Inventor” section

Signed and Sealed this  
Third Day of July, 2018



Andrei Iancu  
*Director of the United States Patent and Trademark Office*