



US00D674162S

(12) **United States Design Patent**  
**Gooch**

(10) **Patent No.:** **US D674,162 S**  
(45) **Date of Patent:** **\*\* Jan. 8, 2013**

(54) **TAILGATE RAMP**  
(76) Inventor: **John W. Gooch**, Birdsboro, PA (US)  
(\*\*) Term: **14 Years**  
(21) Appl. No.: **29/405,618**  
(22) Filed: **Nov. 3, 2011**  
(51) **LOC (9) Cl.** ..... **12-05**  
(52) **U.S. Cl.** ..... **D34/32**  
(58) **Field of Classification Search** ..... D34/28,  
D34/32; 414/537; 296/61, 57.1, 50, 56,  
296/62; 14/71.1, 71.7  
See application file for complete search history.

D401,731 S 11/1998 Jeruss  
5,903,523 A \* 5/1999 Peck ..... 368/202  
6,120,081 A \* 9/2000 Collins ..... 296/61  
D434,542 S 11/2000 Wickstead  
6,250,874 B1 \* 6/2001 Cross ..... 414/537  
6,345,950 B1 2/2002 Gerwitz  
6,447,040 B1 \* 9/2002 Young, Sr. .... 296/61  
6,524,055 B1 \* 2/2003 Overbye ..... 414/537  
6,536,822 B1 \* 3/2003 Vagedes et al. .... 296/26.1  
6,612,635 B1 \* 9/2003 Scherrer ..... 296/61  
6,634,848 B2 \* 10/2003 Henderson ..... 414/537  
6,722,721 B2 \* 4/2004 Sherrer et al. .... 296/61  
D505,238 S 5/2005 Robertson  
D595,919 S \* 7/2009 Lederhause et al. .... D34/32  
D640,854 S \* 6/2011 Leum ..... D34/32

(Continued)

(56) **References Cited**

**U.S. PATENT DOCUMENTS**

3,642,156 A \* 2/1972 Stenson ..... 414/537  
4,571,144 A \* 2/1986 Guidry et al. .... 414/537  
4,624,619 A \* 11/1986 Uher ..... 414/537  
D291,137 S \* 7/1987 Malara ..... D34/32  
D300,073 S 2/1989 Crump  
4,900,217 A \* 2/1990 Nelson ..... 414/537  
D311,798 S 10/1990 Boots et al.  
4,993,088 A \* 2/1991 Chudik ..... 5/118  
D316,771 S 5/1991 Murray  
5,133,584 A \* 7/1992 McCleary ..... 296/61  
5,156,432 A \* 10/1992 McCleary ..... 296/61  
D338,760 S \* 8/1993 Harrah ..... D34/32  
5,244,335 A 9/1993 Johns  
5,312,149 A \* 5/1994 Boone ..... 296/61  
D353,701 S 12/1994 Beavers et al.  
D354,603 S 1/1995 Bullard  
D358,924 S \* 5/1995 Achenbach ..... D34/32  
5,540,474 A \* 7/1996 Holland ..... 296/61  
D382,676 S \* 8/1997 Holbrook ..... D30/119  
D398,129 S 9/1998 Sacks et al.  
5,813,071 A 9/1998 Breslin et al.  
5,813,714 A \* 9/1998 Lipinski et al. .... 296/61

Primary Examiner — Cynthia Ramirez

(74) Attorney, Agent, or Firm — QuickPatents, Inc.; Kevin Prince

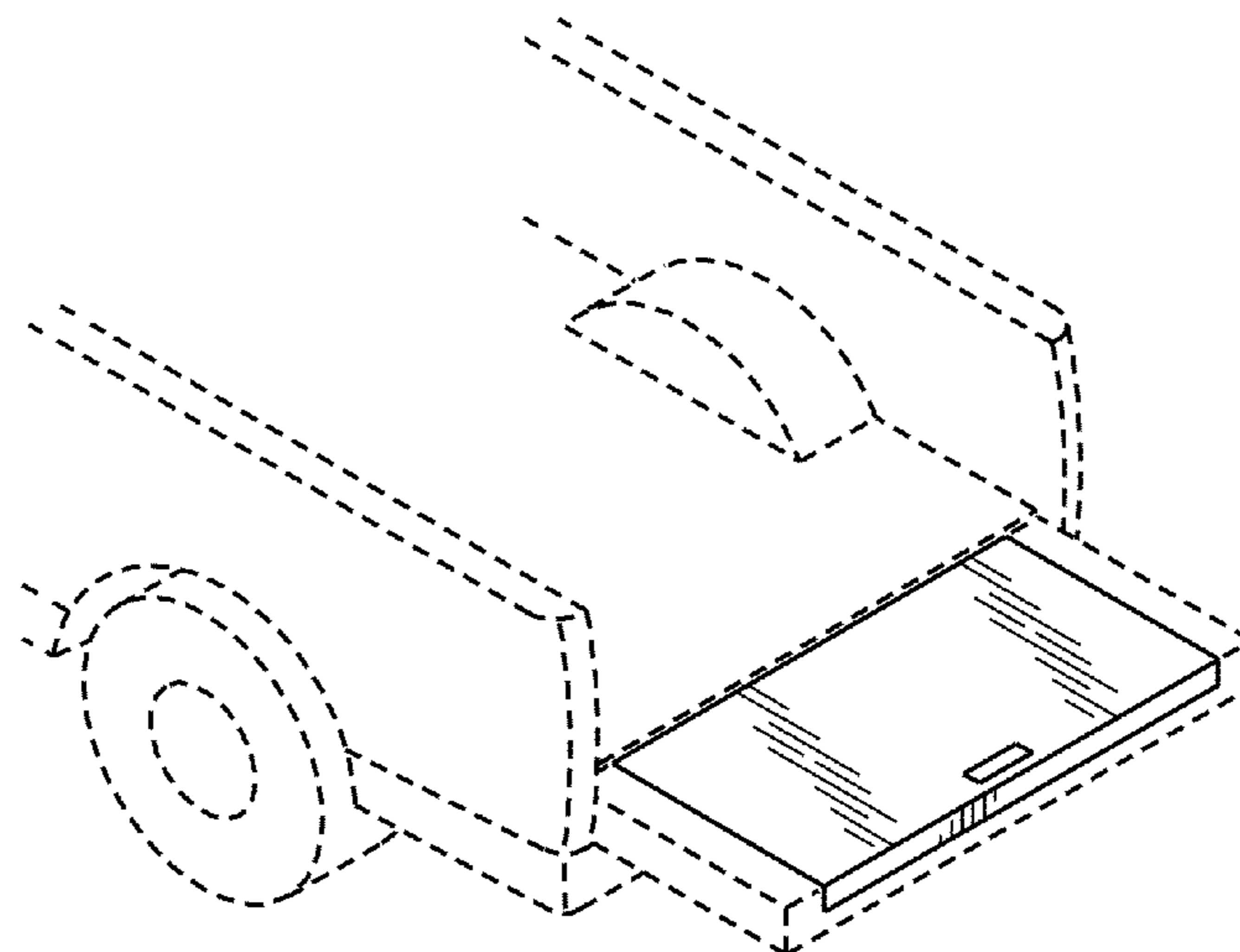
(57) **CLAIM**

I claim the ornamental design for a tailgate ramp, as shown and described.

**DESCRIPTION**

FIG. 1 is a perspective view of a tailgate ramp, showing my new design in a retracted position;  
FIG. 2 is a perspective view thereof, illustrated in an extended position;  
FIG. 3 is a top plan view of FIG. 2;  
FIG. 4 is a left-side elevational view of FIG. 2, the right-side elevational view being a mirror image thereof;  
FIG. 5 is a rear elevational view of FIG. 2;  
FIG. 6 is a front elevational view of FIG. 2; and,  
FIG. 7 is a bottom plan view of FIG. 2.  
The broken lines showing a truck in FIGS. 1 and 2 depict environmental matter and form no part of the claimed design.

**1 Claim, 3 Drawing Sheets**



# US D674,162 S

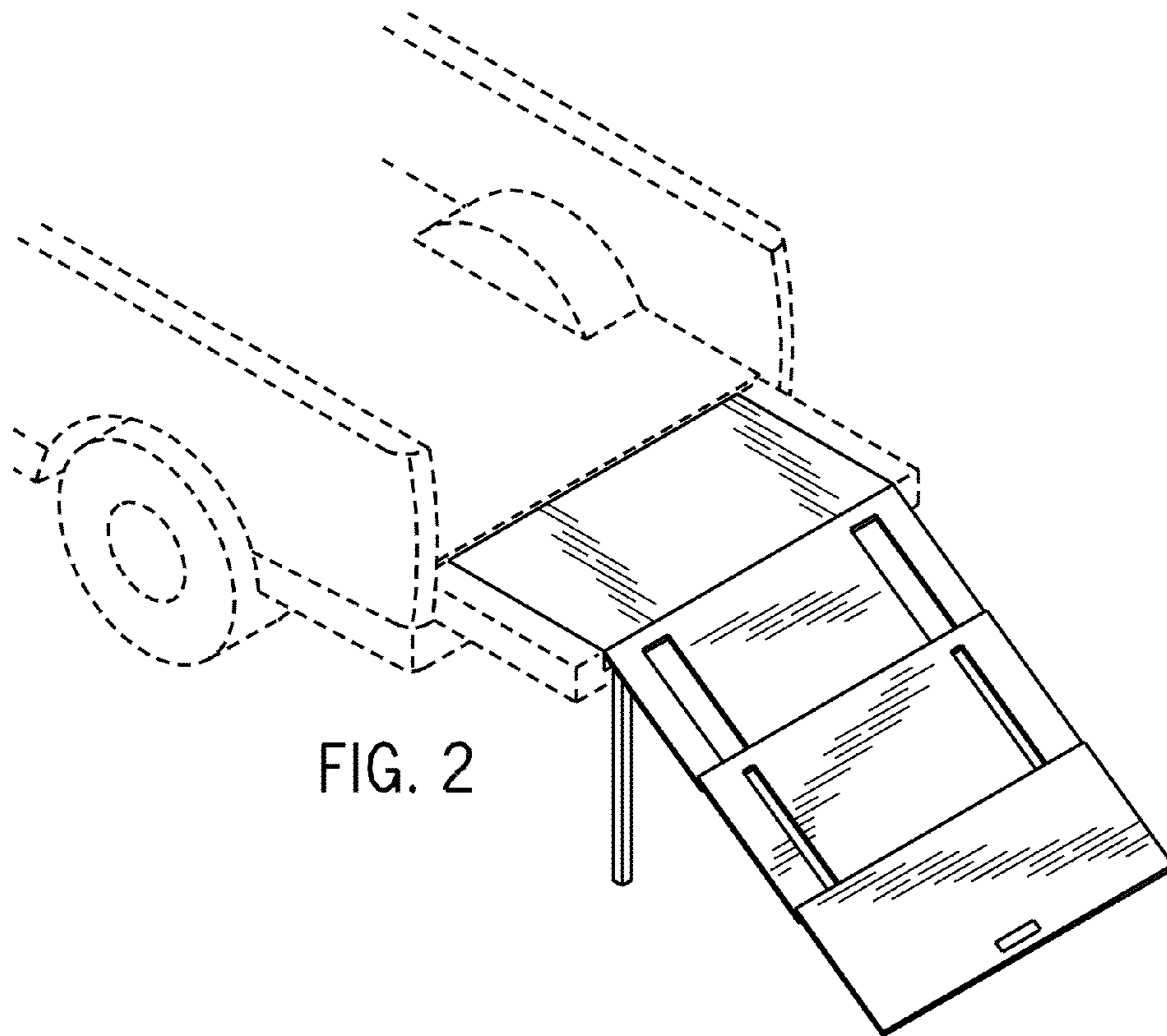
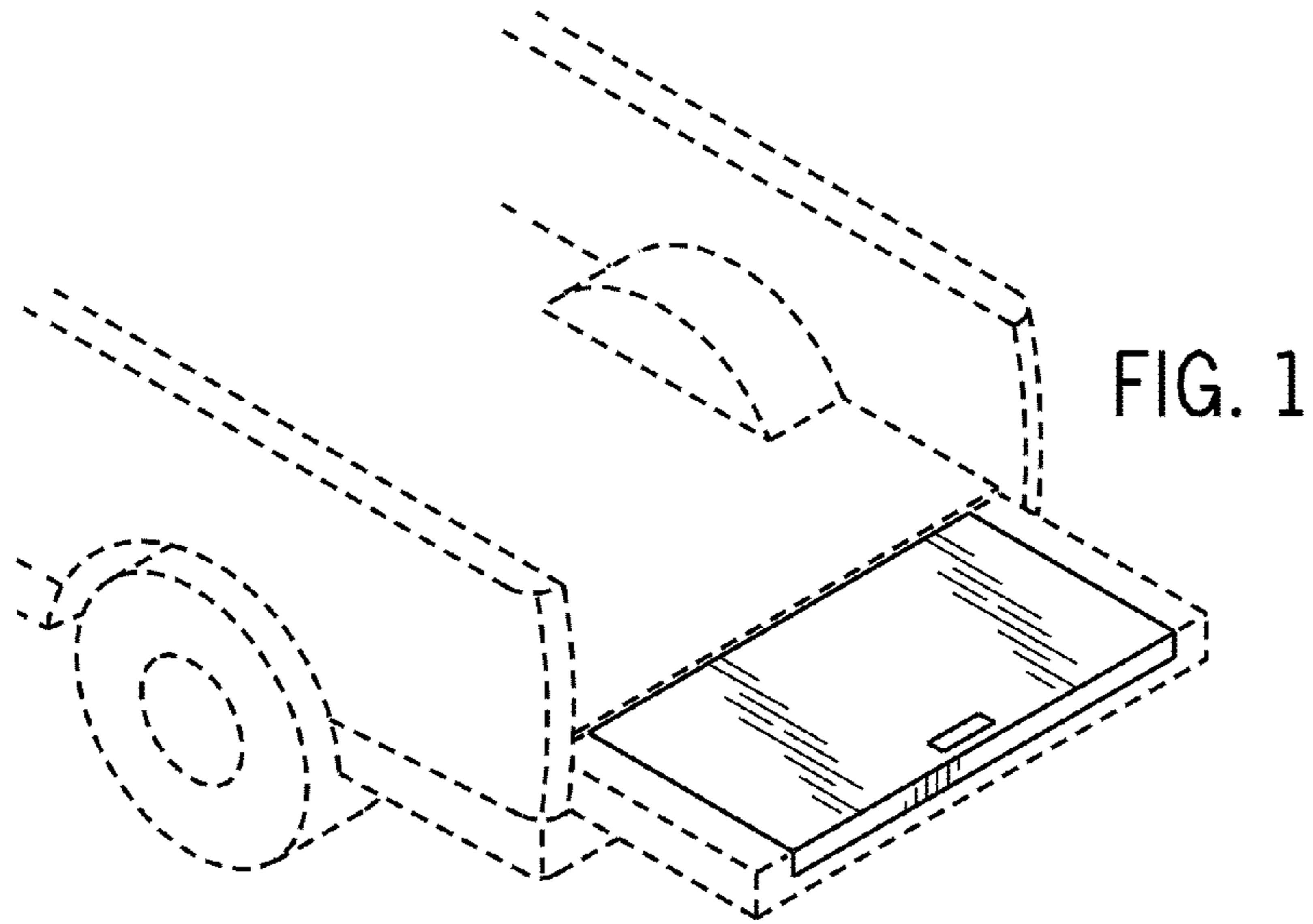
Page 2

---

## U.S. PATENT DOCUMENTS

8,292,565	B1 *	10/2012	Ruff et al. ....	414/480	2009/0001750	A1 *	1/2009	Horton .....	296/51
2003/0015885	A1 *	1/2003	Landwehr .....	296/61	2010/0266378	A1	10/2010	Verwys	
2004/0146385	A1 *	7/2004	Edwards et al. ....	414/537	2011/0072596	A1 *	3/2011	Kenny .....	14/69.5
2008/0263790	A1	10/2008	Hoffman		2012/0009050	A1 *	1/2012	Pepin .....	414/537

\* cited by examiner



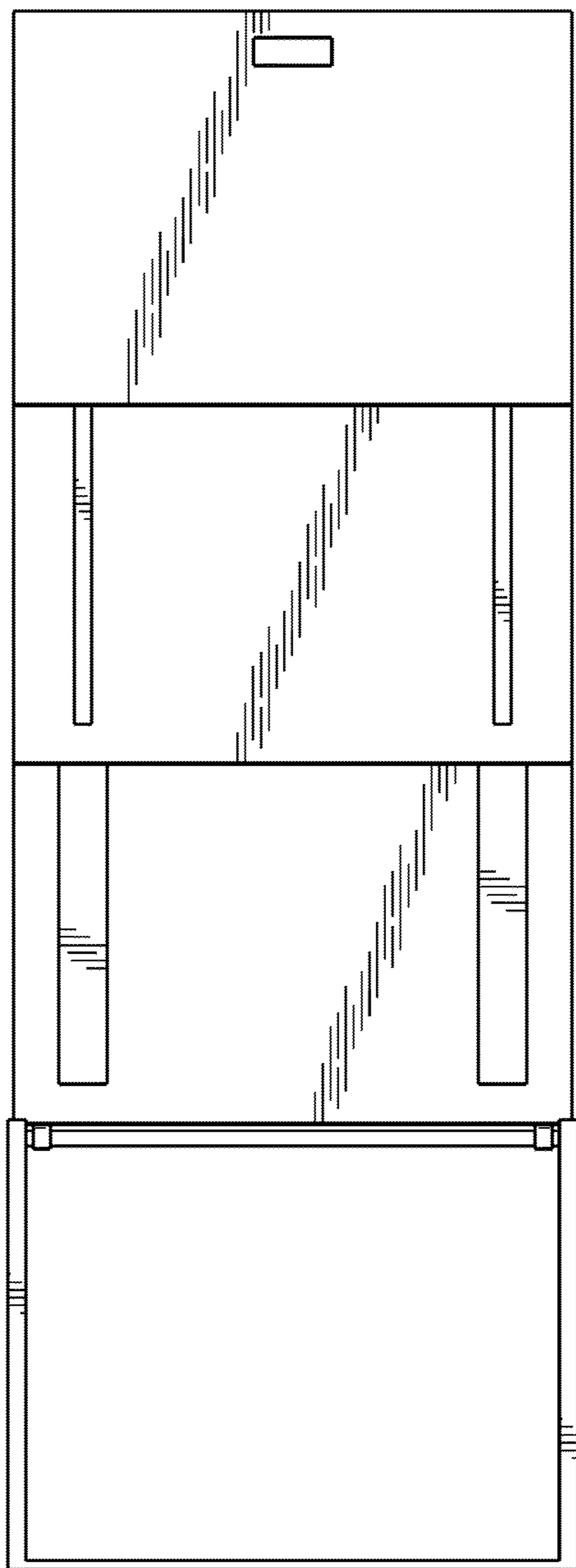


FIG. 3

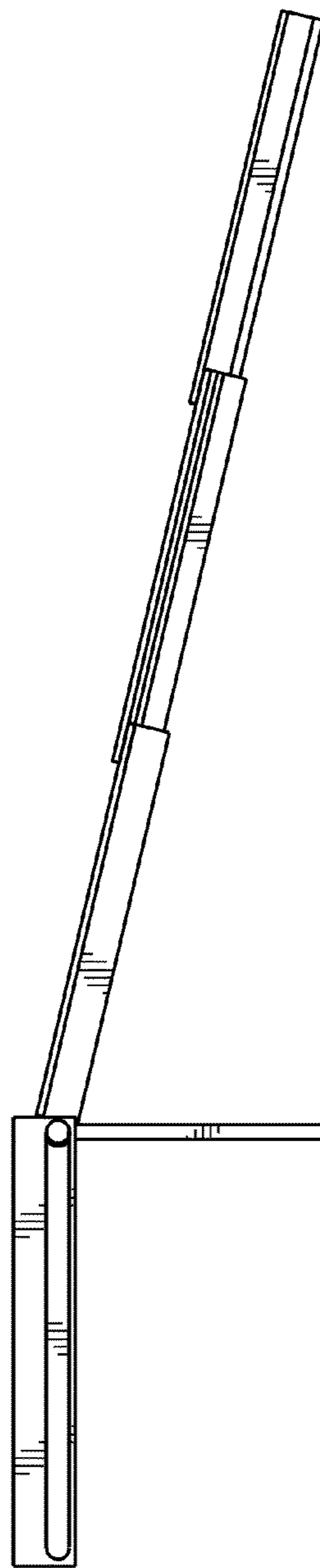


FIG. 4

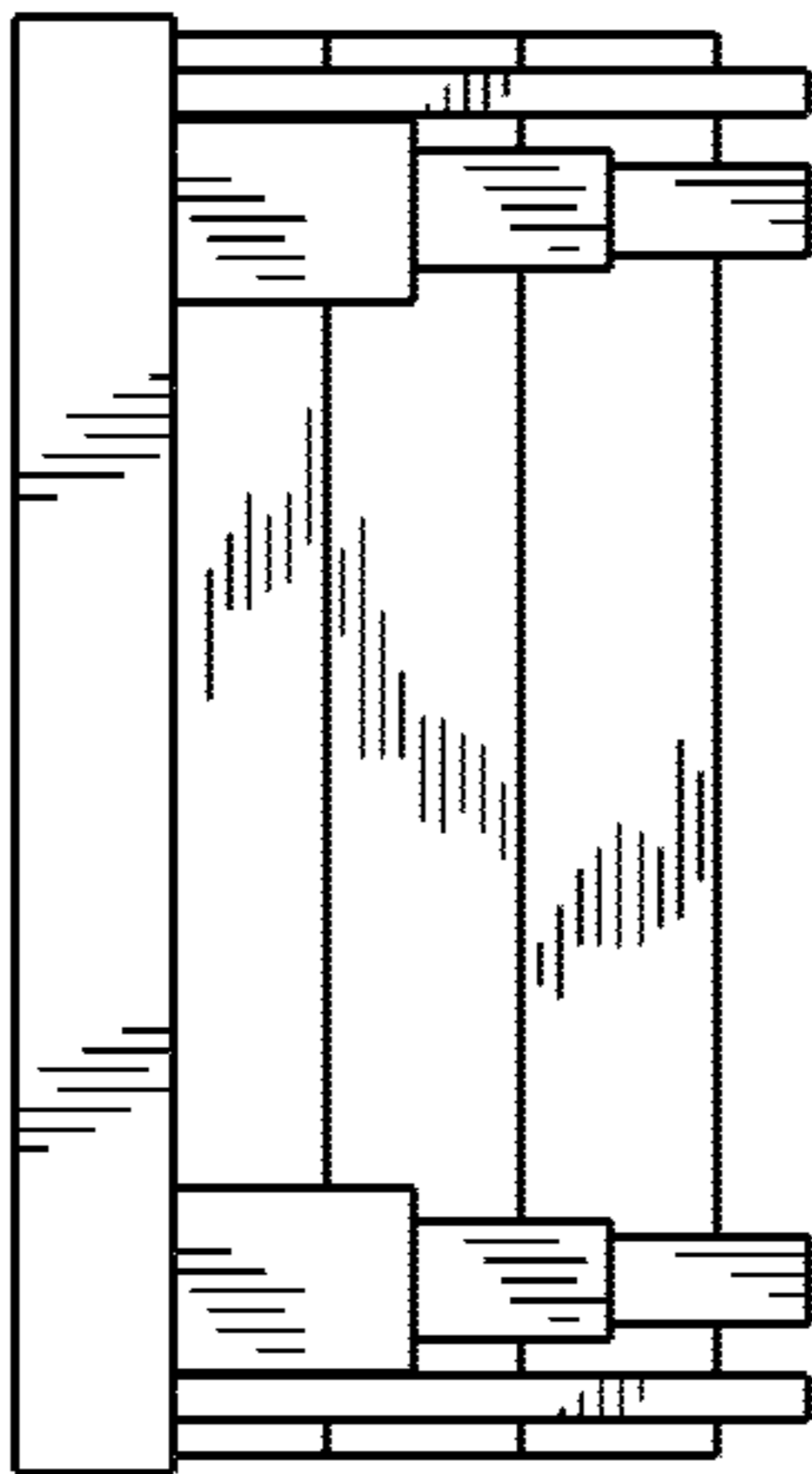


FIG. 5

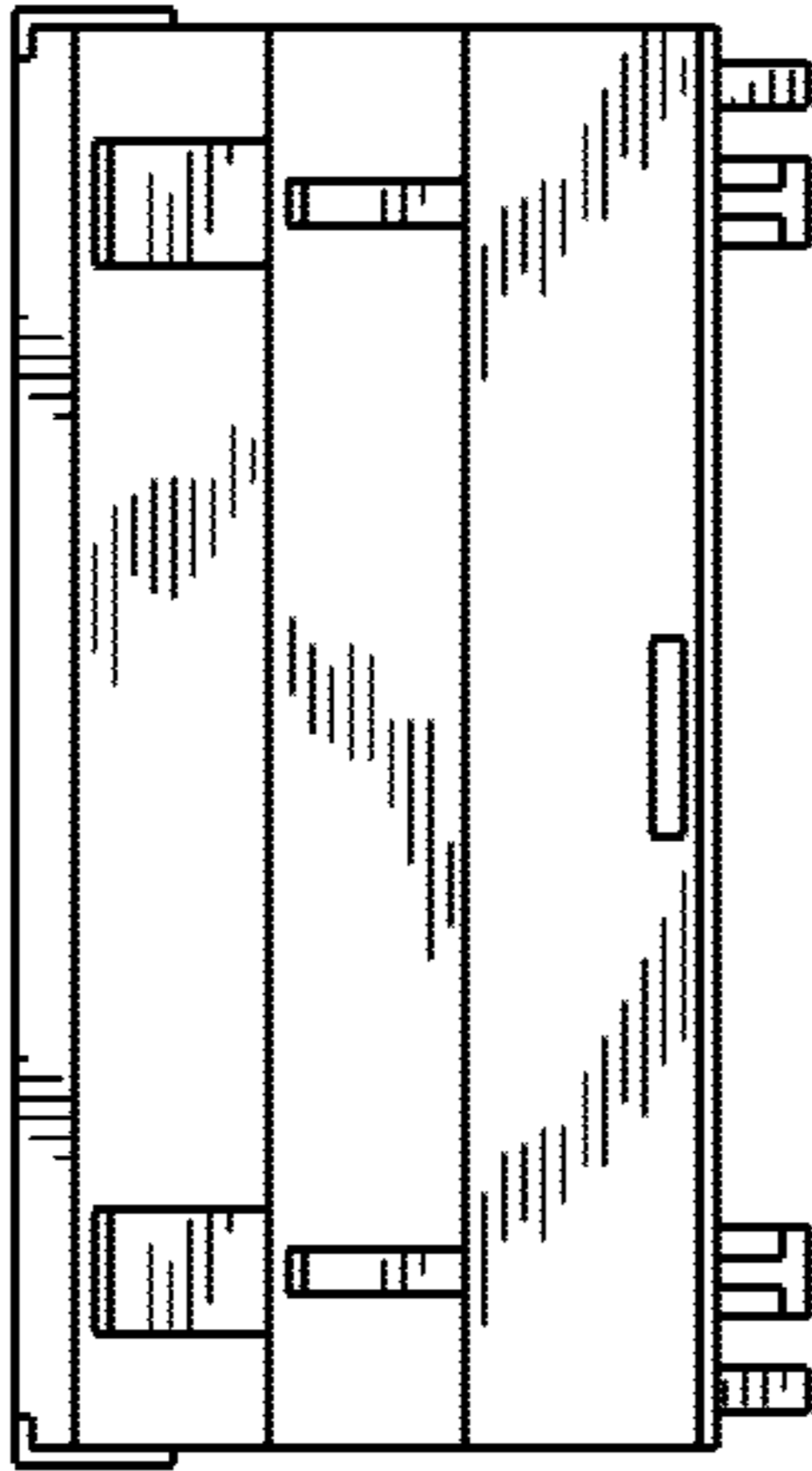


FIG. 6

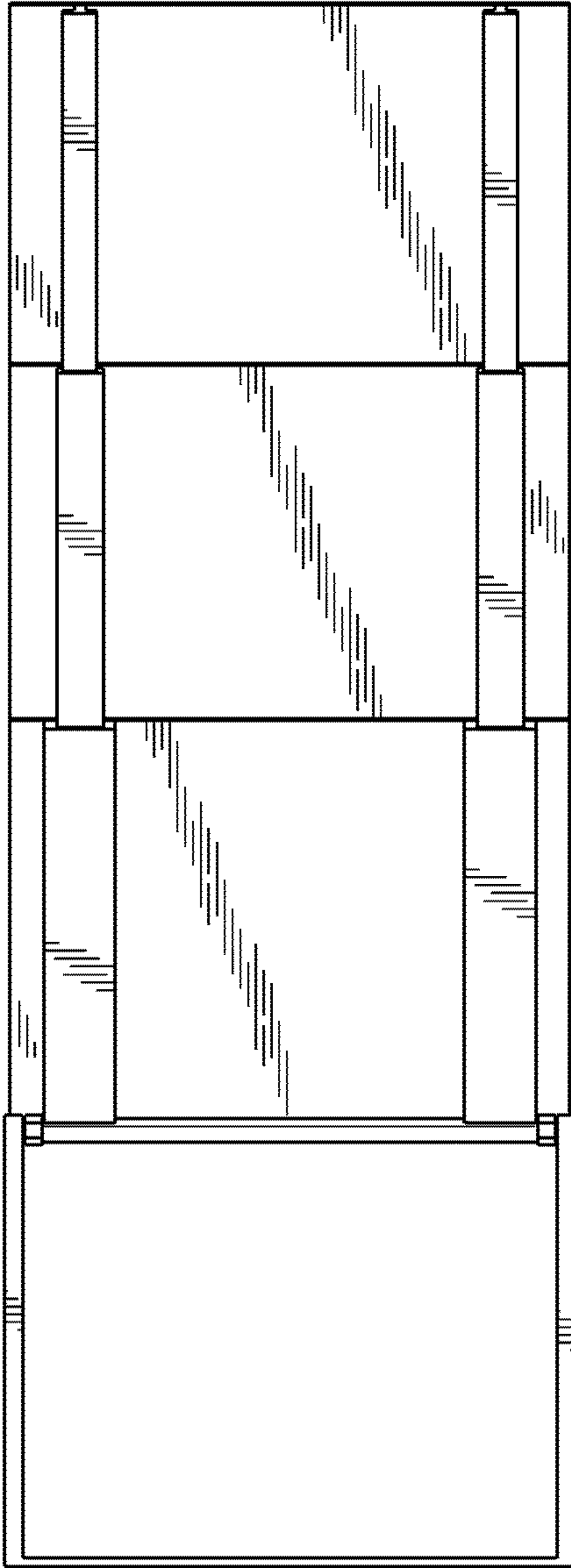


FIG. 7