



US00D674161S

(12) **United States Design Patent**  
**Kluck**

(10) **Patent No.:** **US D674,161 S**  
(45) **Date of Patent:** **\*\* Jan. 8, 2013**

(54) **WASTE RECEPTACLE**  
(75) Inventor: **Scott M. Kluck**, Mequon, WI (US)  
(73) Assignee: **Bradley Corporation**, Menomonee Falls, WI (US)

4,964,544 A 10/1990 Hanna et al.  
D332,194 S 1/1993 Hines  
D332,195 S 1/1993 Hines  
D332,196 S 1/1993 Hines  
D332,365 S 1/1993 Hines  
D332,542 S 1/1993 Hines

(Continued)

(\*\*) Term: **14 Years**  
(21) Appl. No.: **29/423,716**  
(22) Filed: **Jun. 4, 2012**

**OTHER PUBLICATIONS**

Big Willy Toilet Paper Dispenser, believed to have been publicly available before Nov. 15, 2010, 1 page.

(Continued)

**Related U.S. Application Data**

(60) Division of application No. 29/412,078, filed on Jan. 30, 2012, now Pat. No. Des. 661,447, which is a division of application No. 29/385,920, filed on Feb. 22, 2011, now Pat. No. Des. 657,519, which is a continuation-in-part of application No. 29/379,126, filed on Nov. 15, 2010, now Pat. No. Des. 655,959.

*Primary Examiner* — Brian N Vinson

(74) *Attorney, Agent, or Firm* — Foley & Lardner LLP

(51) **LOC (9) Cl.** ..... **09-09**  
(52) **U.S. Cl.** ..... **D34/1**  
(58) **Field of Classification Search** ..... D6/515-524;  
D34/1, 11; 211/13.1, 71.01, 85.19, 88.01;  
221/33, 45, 282-283; 248/905; 312/34.1,  
312/34.4; 220/908, 908.1, 911, 912, 913  
See application file for complete search history.

**CLAIM**

I claim the ornamental design for a waste receptacle, as shown and described.

**DESCRIPTION**

FIG. 1 is a perspective view of the claimed design;  
FIG. 2 is a second perspective of the claimed design of FIG. 1;  
FIG. 3 is a front view of the claimed design of FIG. 1;  
FIG. 4 is a rear view of the claimed design of FIG. 1;  
FIG. 5 is a left side view of the claimed design of FIG. 1;  
FIG. 6 is a right side view of the claimed design of FIG. 1;  
FIG. 7 is a top view of the claimed design of FIG. 1; and,  
FIG. 8 is a bottom view of the claimed design of FIG. 1.

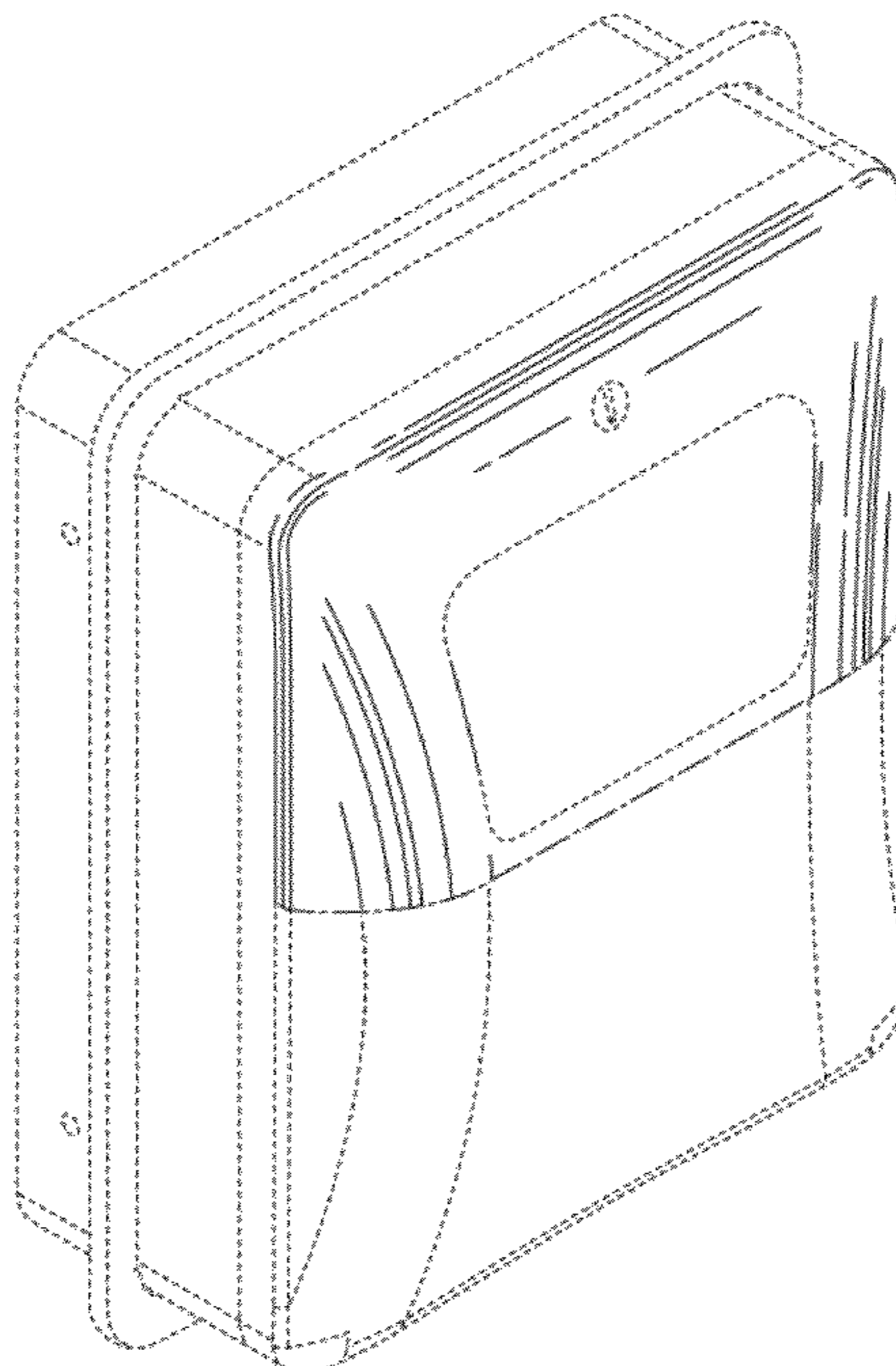
The ornamental design which is claimed is shown in solid lines in the drawings: The broken lines in the drawings are for illustrative purposes only and form no part of the claimed design. The dot-dash lines in the drawings define boundaries of the claimed design and form no part thereof.

(56) **References Cited**

**U.S. PATENT DOCUMENTS**

1,800,826 A 4/1931 Feltault  
D219,066 S 10/1970 Biggar  
D283,573 S 4/1986 Bernard  
4,617,655 A 10/1986 Aldenhoven  
4,707,933 A 11/1987 Keck et al.  
4,949,877 A 8/1990 Hanna et al.

**1 Claim, 8 Drawing Sheets**



U.S. PATENT DOCUMENTS

D332,679 S 1/1993 Hines  
 D332,849 S 1/1993 Hines  
 D334,266 S 3/1993 Hines  
 5,226,625 A 7/1993 Hanna  
 D338,361 S 8/1993 Hines  
 D340,374 S 10/1993 Hines  
 D341,724 S 11/1993 Hines  
 5,261,619 A 11/1993 Merriweather, Jr.  
 D342,175 S 12/1993 Hines  
 5,605,265 A 2/1997 Hanna  
 D385,445 S 10/1997 Arbak et al.  
 D401,708 S 11/1998 Arbak et al.  
 5,957,324 A 9/1999 Gettelman et al.  
 D416,726 S 11/1999 Kurti et al.  
 5,988,451 A 11/1999 Hanna  
 D426,412 S 6/2000 Cameron  
 6,119,901 A 9/2000 Hanna  
 6,129,245 A 10/2000 Redman et al.  
 6,131,771 A 10/2000 Hanna  
 6,276,027 B1 8/2001 Hanna  
 6,502,721 B2 1/2003 Redman et al.  
 D482,221 S \* 11/2003 Phelps et al. .... D6/518  
 D483,207 S 12/2003 Winslow  
 D493,312 S \* 7/2004 Collins et al. .... D6/518  
 D520,277 S \* 5/2006 Smiley et al. .... D6/518  
 D520,703 S \* 5/2006 Nordgren et al. .... D34/1  
 D522,781 S \* 6/2006 Wieser et al. .... D6/518  
 D546,081 S 7/2007 Babikian et al.  
 D551,476 S 9/2007 Cittadino et al.  
 D553,402 S \* 10/2007 Orgna et al. .... D6/518  
 D579,249 S \* 10/2008 Omdoll et al. .... D6/518  
 D594,754 S \* 6/2009 Dretzka ..... D6/518  
 D598,687 S \* 8/2009 Serfaty ..... D6/518  
 D607,171 S \* 12/2009 Schwartz et al. .... D34/1  
 D610,322 S \* 2/2010 Schwartz et al. .... D34/1  
 D612,121 S \* 3/2010 Memari ..... D34/1  
 D620,290 S \* 7/2010 Herrera ..... D6/518  
 D621,644 S \* 8/2010 Johnson ..... D6/515  
 D623,453 S \* 9/2010 Benedetti ..... D6/518  
 D641,119 S \* 7/2011 Rampton et al. .... D34/1

D647,270 S \* 10/2011 Madsen ..... D34/1  
 D648,585 S \* 11/2011 Meyerhoffer ..... D6/518  
 D650,622 S \* 12/2011 Morand ..... D6/518  
 2002/0100771 A1 8/2002 Redman et al.  
 2003/0071074 A1 4/2003 Redman et al.  
 2004/0164093 A1 8/2004 Redman et al.  
 2005/0133529 A1 6/2005 Redman et al.  
 2007/0023565 A1 2/2007 Babikian  
 2007/0075579 A1 4/2007 Babikian et al.  
 2007/0151980 A1 7/2007 Babikian et al.  
 2008/0251528 A1 10/2008 Babikian et al.

OTHER PUBLICATIONS

Columbia Accessories: A Division of PSiSC, 2009 Washroom Accessories Catalog, <http://www.psisc.com/catalogs/acc.pdf>, Accessed Mar. 3, 2011, 2 pages.  
 Durchdacht bis ins Detail, Photos of Trash Receptacle, Paper Towel Dispenser, Toilet Paper Dispenser, Soap Dispenser, believed to have been publicly available before Nov. 15, 2010, 2 pages.  
 Ille Folded Paper and Soap Dispenser, believed to have been publicly available before Nov. 15, 2010, 1 page.  
 Palmer Fixture, Blustorm Hands Free High Speed Dryer, Hands-Free Universal Roll Towel Dispensers, <http://palmerfixture.com/product.php?id=194492>, Accessed Jul. 15, 2009, 1 page.  
 Palmer Fixture, Soap Dispenser Bulk Electronic SE800, <http://www.palmerfixture.com/product.php?id=191859>, Accessed Jul. 15, 2009, 1 page.  
 Paper Towel Dispenser and Tissue Dispenser, ABS Plastic, [http://www.allproducts.com/household/fanda/16-pull\\_towel\\_dispenser.html](http://www.allproducts.com/household/fanda/16-pull_towel_dispenser.html), Accessed Jul. 15, 2009, 1 page.  
 Pro Cleaning Solutions: Paper Products: Sofpull Centrepull Towel Di, <http://procleaning.com/xcart/product.php?productid=176&cat=3&page=5>, Accessed Jul. 15, 2009, 1 page.  
 The Royal Connection, American Specialties, Inc., bearing a designation, © 2009, 8 pages.  
 Washroom Accessories Bobrick Color Catalog, believed to have been publicly available before Nov. 15, 2010. 52 pages.

\* cited by examiner

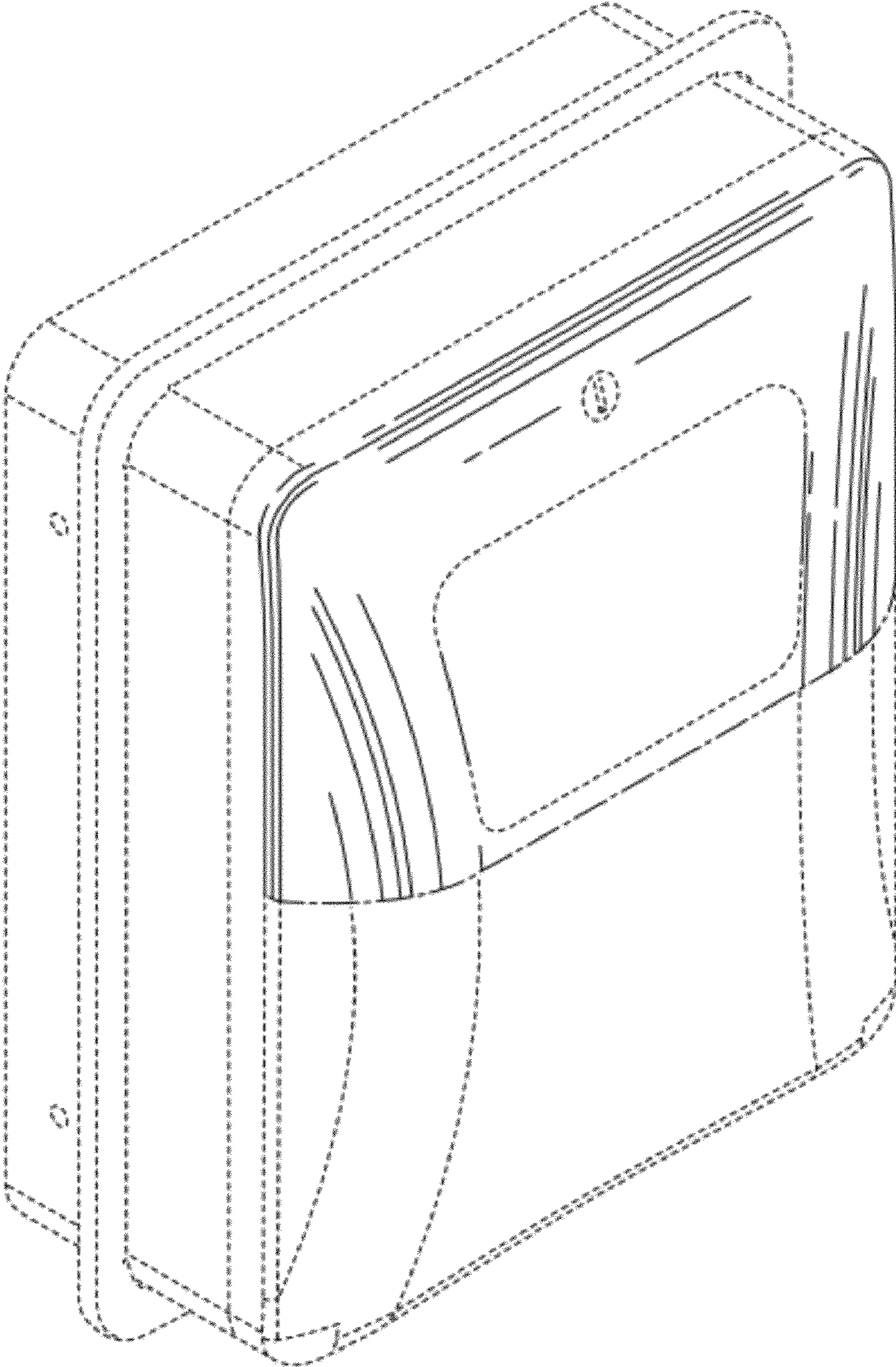


FIG. 1

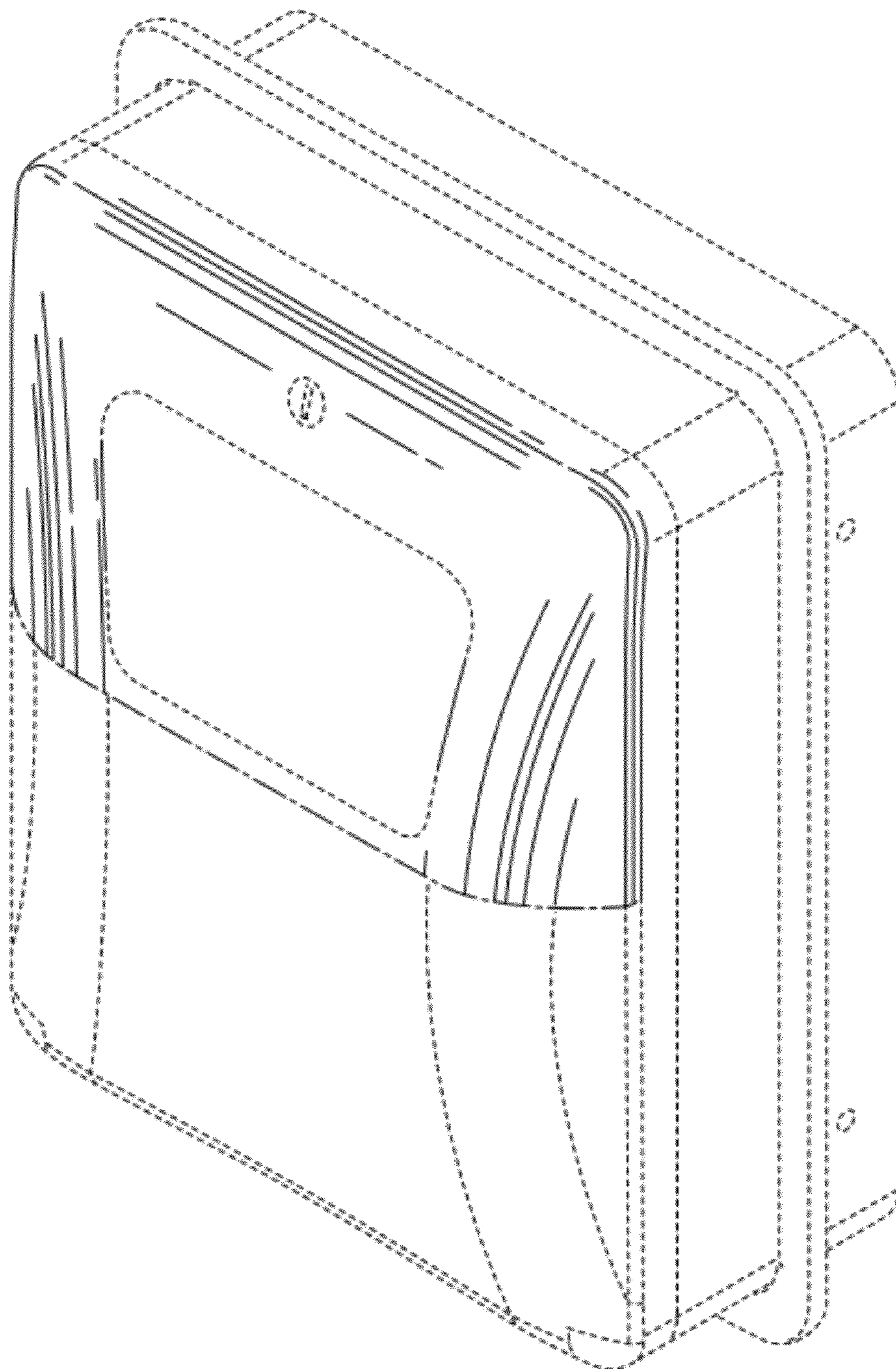
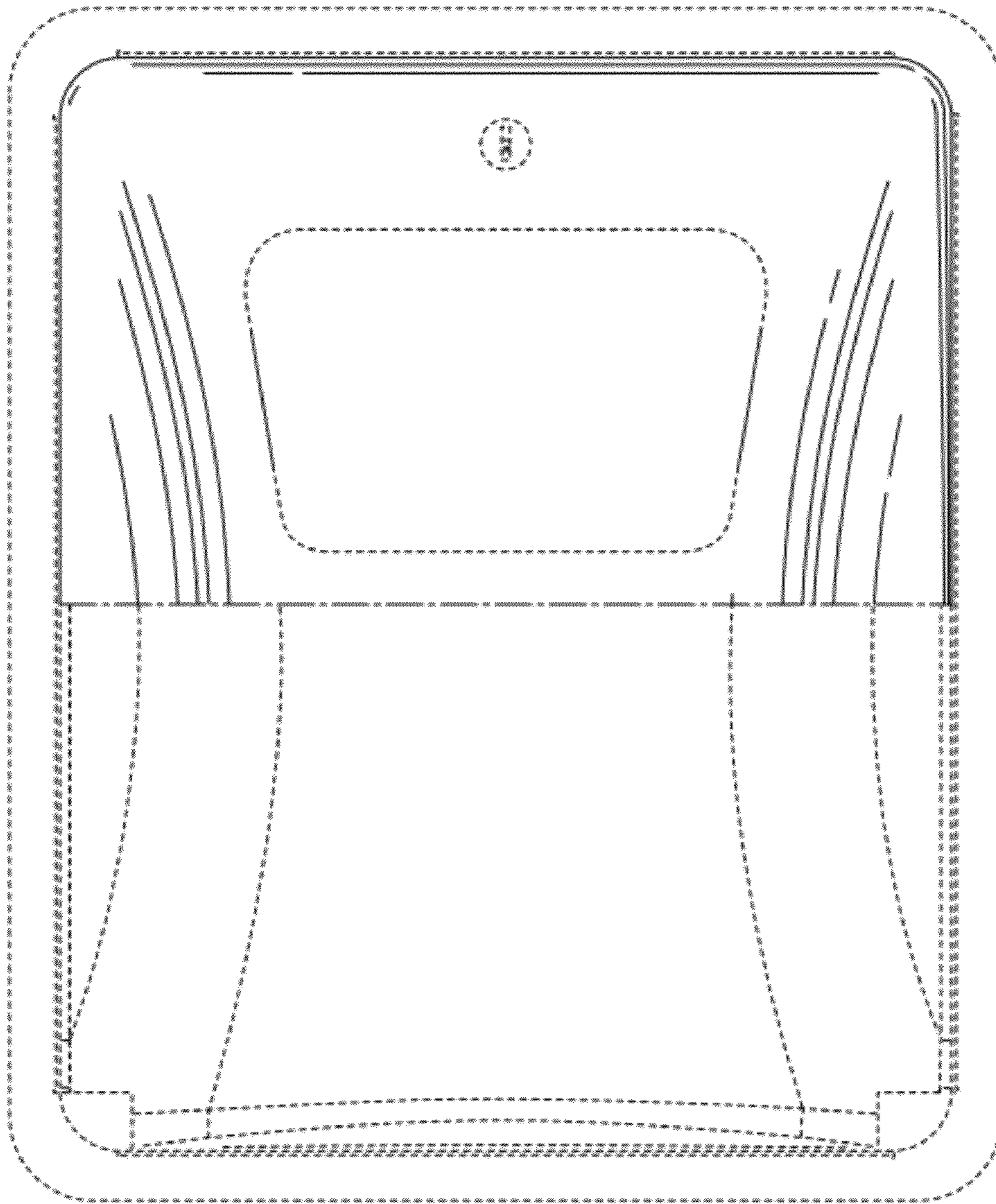
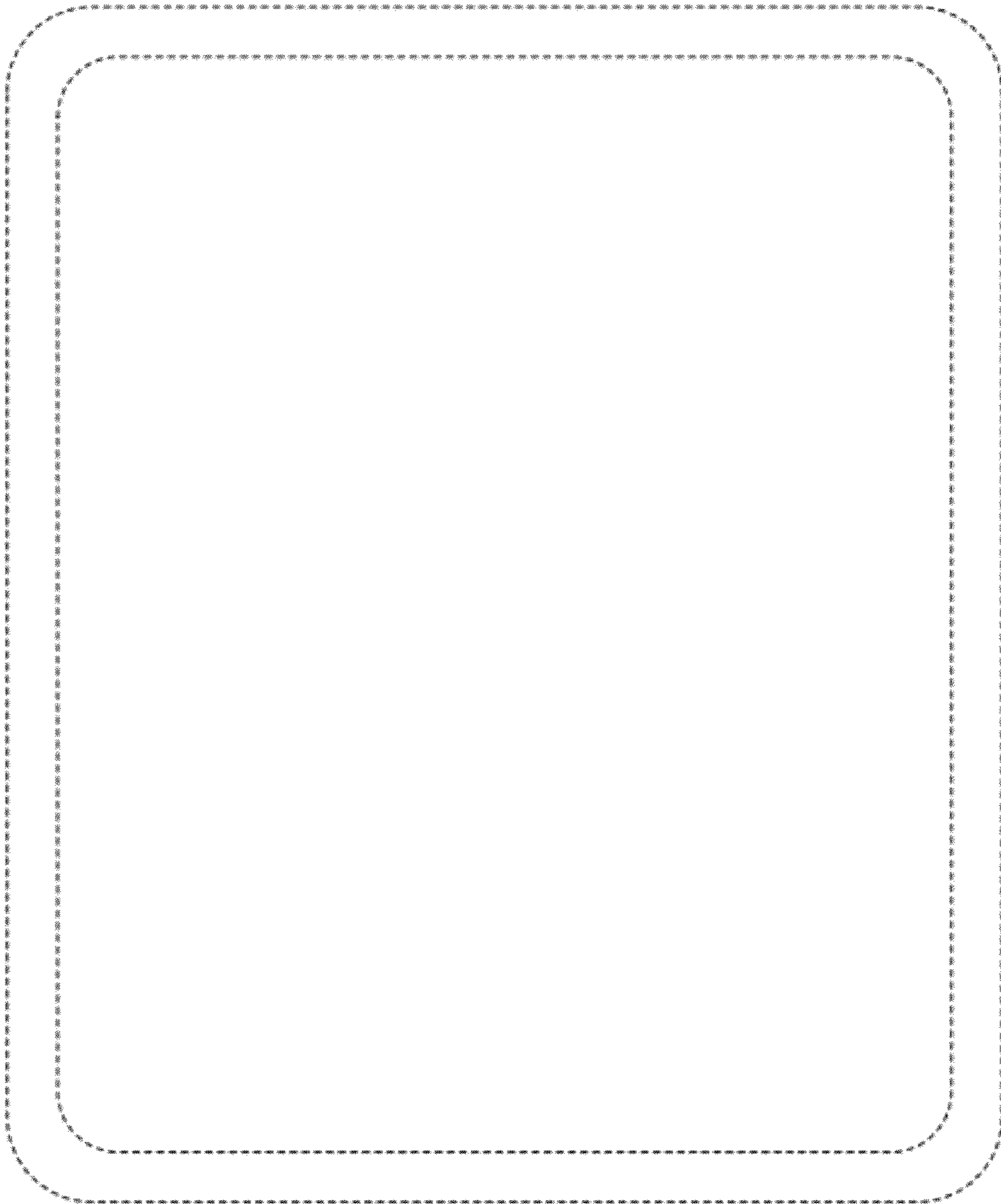


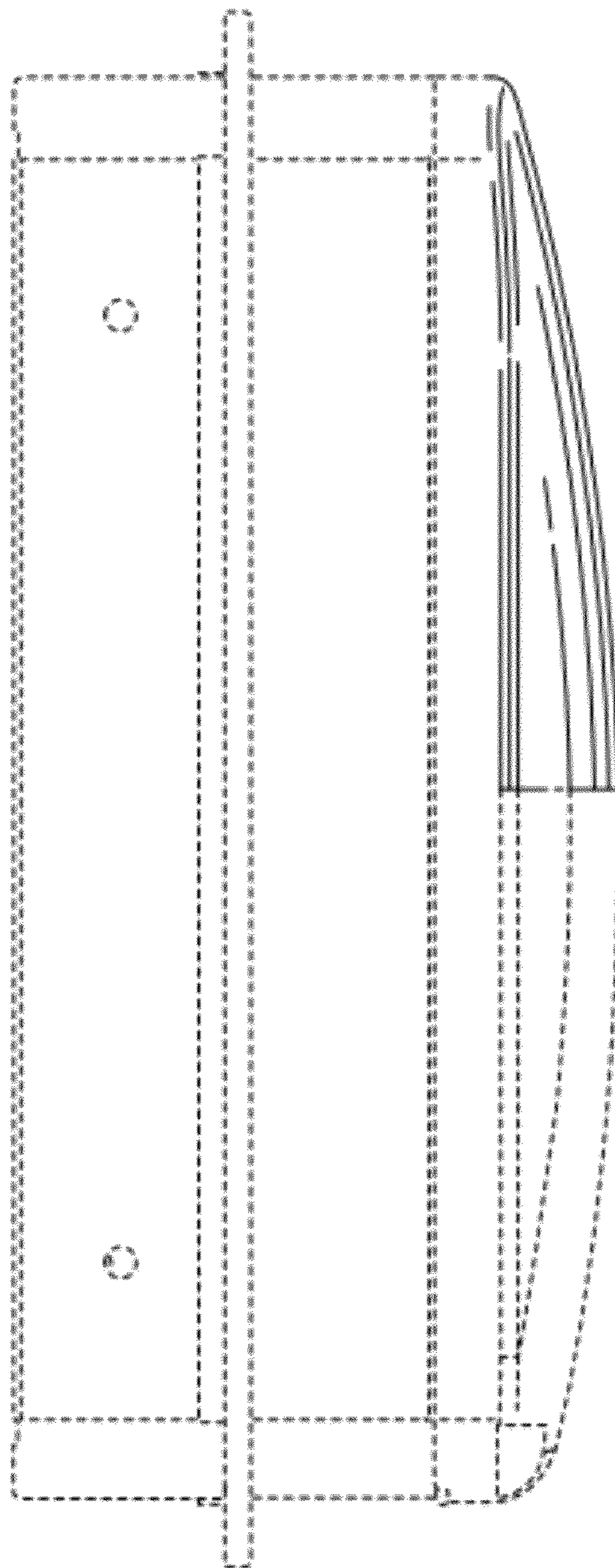
FIG. 2



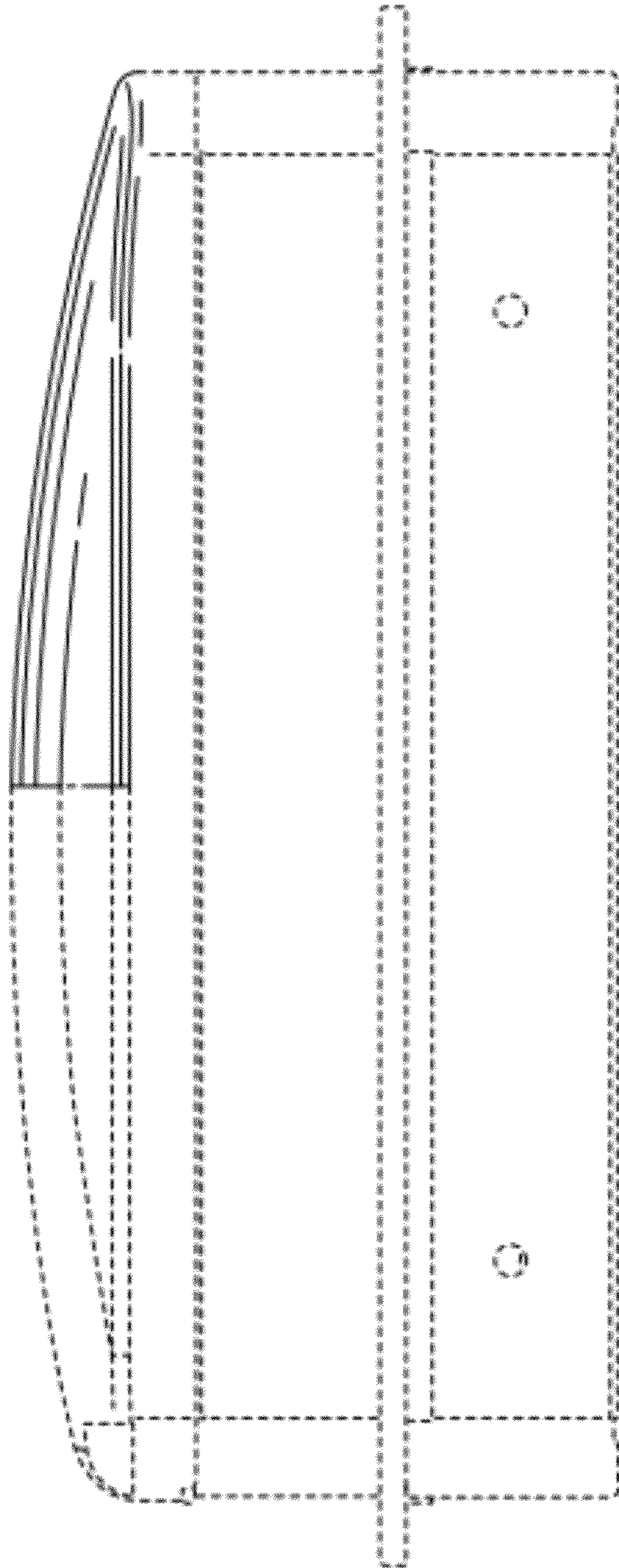
**FIG. 3**



**FIG. 4**



**FIG. 5**



**FIG. 6**



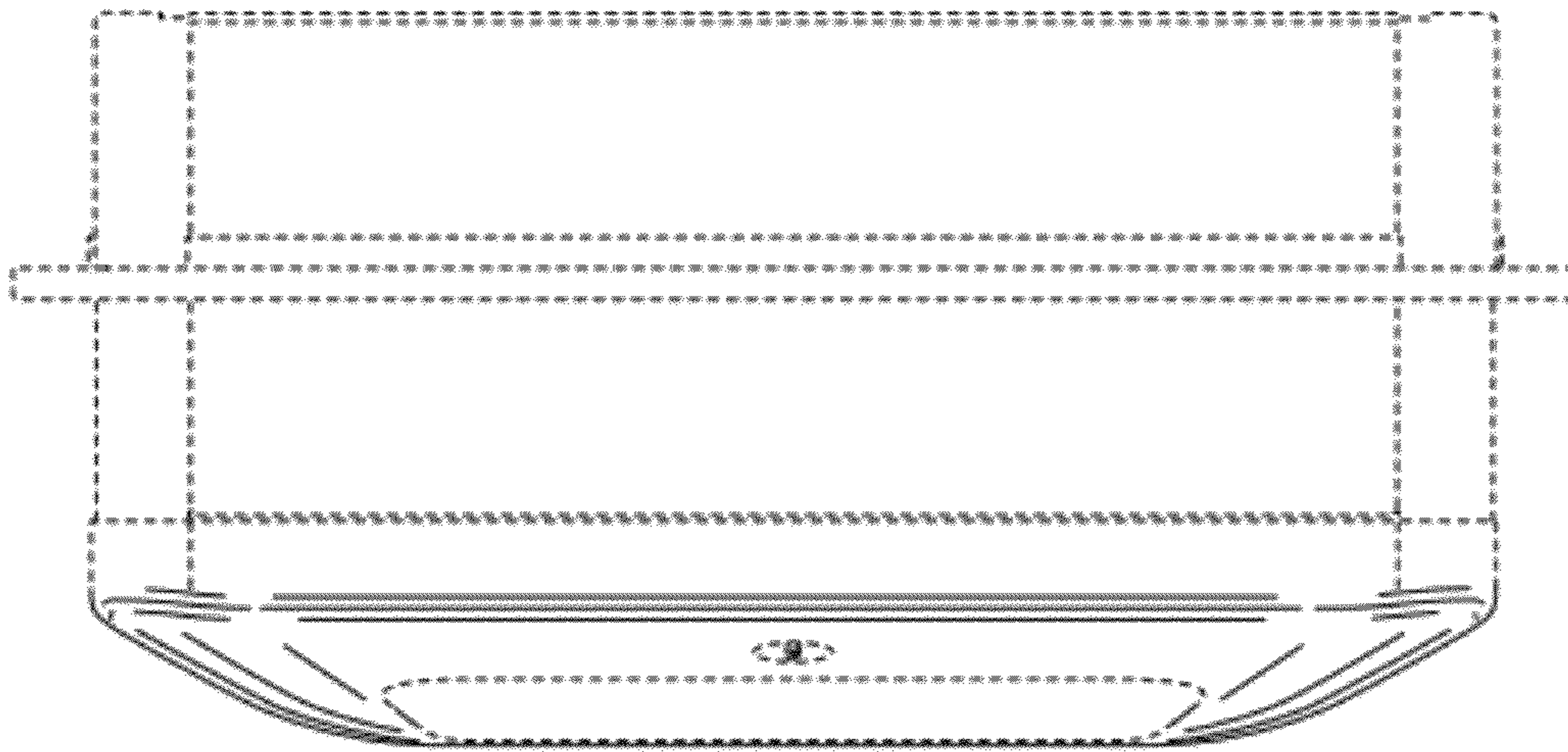
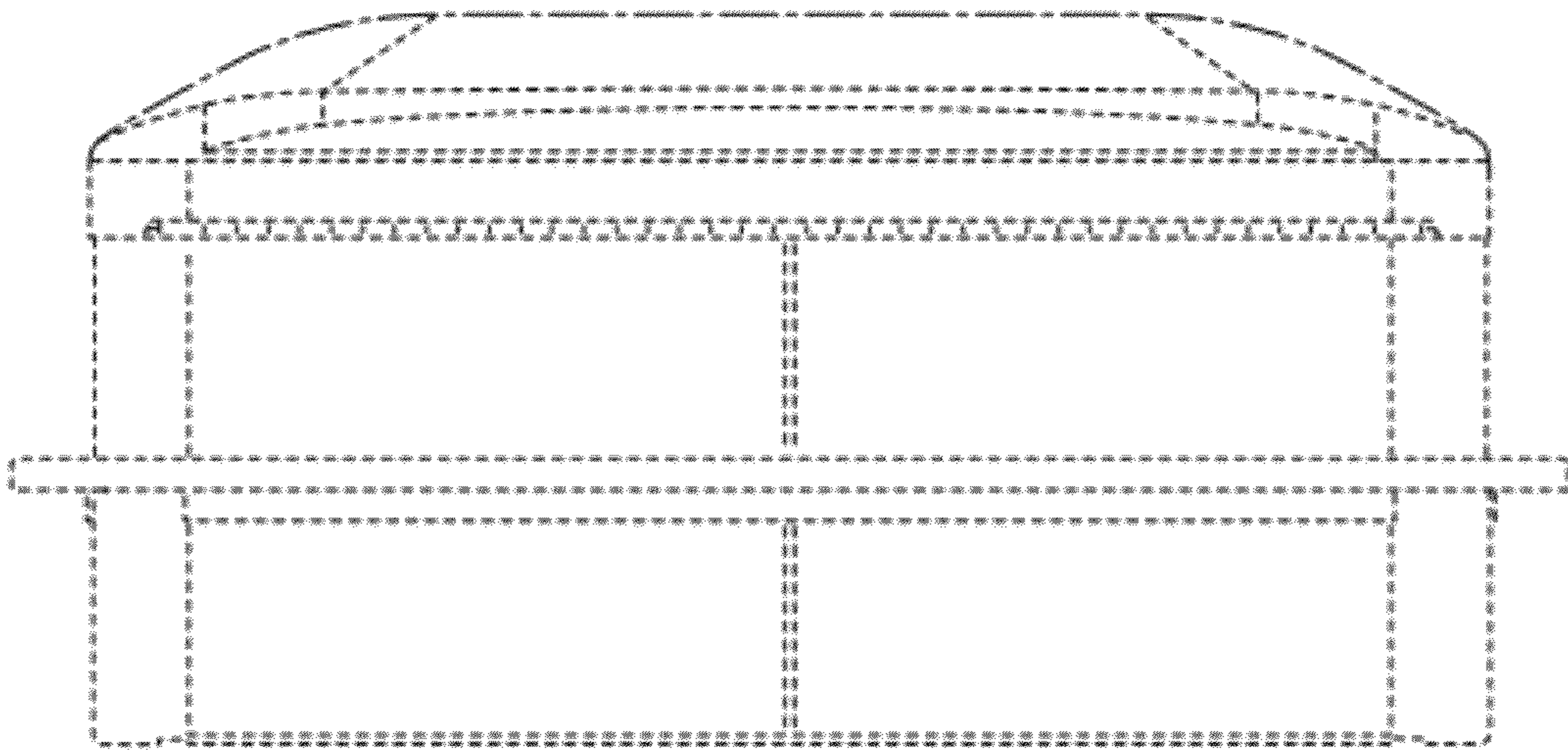


FIG. 7



**FIG. 8**