



US00D674159S

(12) **United States Design Patent**  
**Dyson et al.**

(10) **Patent No.:** **US D674,159 S**  
(45) **Date of Patent:** **\*\* Jan. 8, 2013**

(54) **VACUUM CLEANER**

(75) Inventors: **James Dyson**, Malmesbury (GB); **Peter David Gammack**, Malmesbury (GB); **Paul Dawson**, Malmesbury (GB)

(73) Assignee: **Dyson Limited**, Malmesbury (GB)

(\*\*) Term: **14 Years**

(21) Appl. No.: **29/399,376**

(22) Filed: **Aug. 12, 2011**

(30) **Foreign Application Priority Data**

Feb. 15, 2011 (EM) ..... 001821695-0004

(51) **LOC (9) Cl.** ..... **15-05**

(52) **U.S. Cl.** ..... **D32/31**

(58) **Field of Classification Search** ..... D32/22,  
D32/31, 34; 15/347, 350-353, 410-412,  
15/320, 414, 327.4, 340.1, 340.2, 329, 361-362,  
15/415.1; 55/429, DIG. 3, 337; 301/7  
See application file for complete search history.

(56) **References Cited**

**U.S. PATENT DOCUMENTS**

2,686,330	A *	8/1954	Wales	.....	15/327.4
3,794,351	A *	2/1974	Cudmore	.....	280/204
4,058,344	A *	11/1977	Dyson	.....	301/7
D454,994	S *	3/2002	Harada et al.	.....	D32/21
6,536,073	B2 *	3/2003	Uratani et al.	.....	15/327.4

D534,324	S *	12/2006	Dyson et al.	.....	D32/22
D544,156	S *	6/2007	Dyson et al.	.....	D32/25
D563,066	S *	2/2008	Shevlin	.....	D32/31
D588,762	S *	3/2009	Dyson et al.	.....	D32/31
D596,360	S *	7/2009	Dyson et al.	.....	D32/22
7,823,251	B2 *	11/2010	Dyson et al.	.....	15/336
2008/0115313	A1 *	5/2008	Dyson et al.	.....	15/336
2008/0222840	A1 *	9/2008	Worker et al.	.....	15/415.1
2010/0242211	A1 *	9/2010	Sunderland et al.	.....	15/347
2010/0242220	A1 *	9/2010	Dyson et al.	.....	15/347
2011/0088195	A1 *	4/2011	Dyson et al.	.....	15/300.1
2011/0088205	A1 *	4/2011	Dyson et al.	.....	15/347

\* cited by examiner

*Primary Examiner* — Ruth McInroy

(74) *Attorney, Agent, or Firm* — Morrison & Foerster LLP

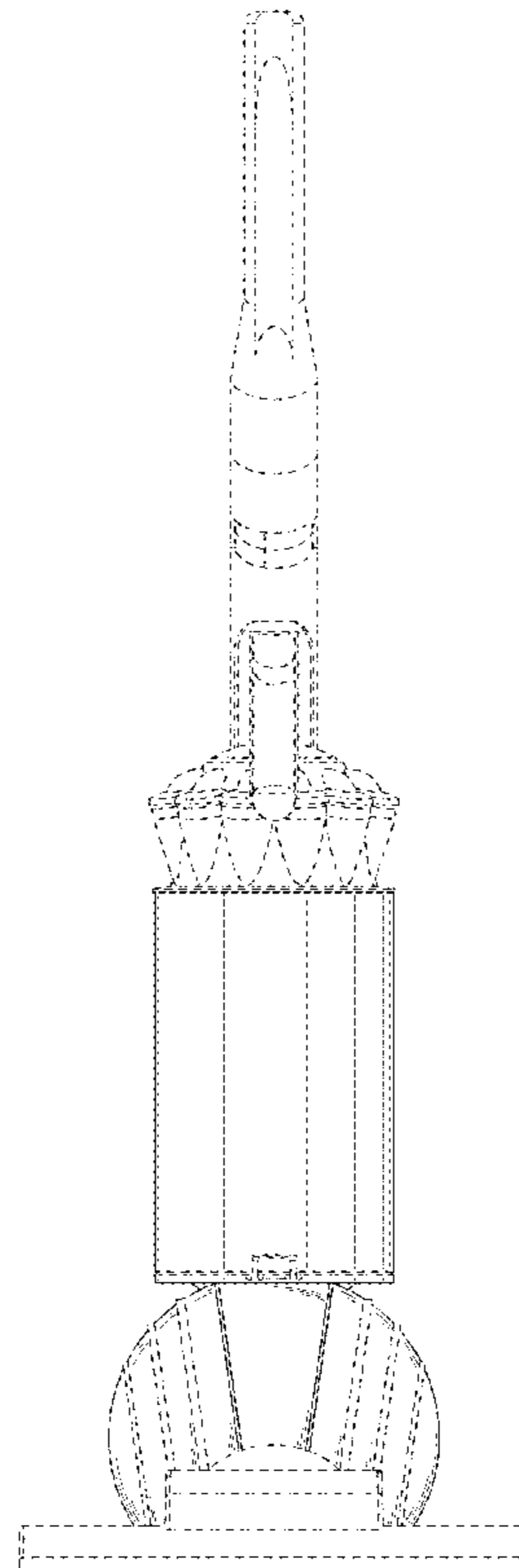
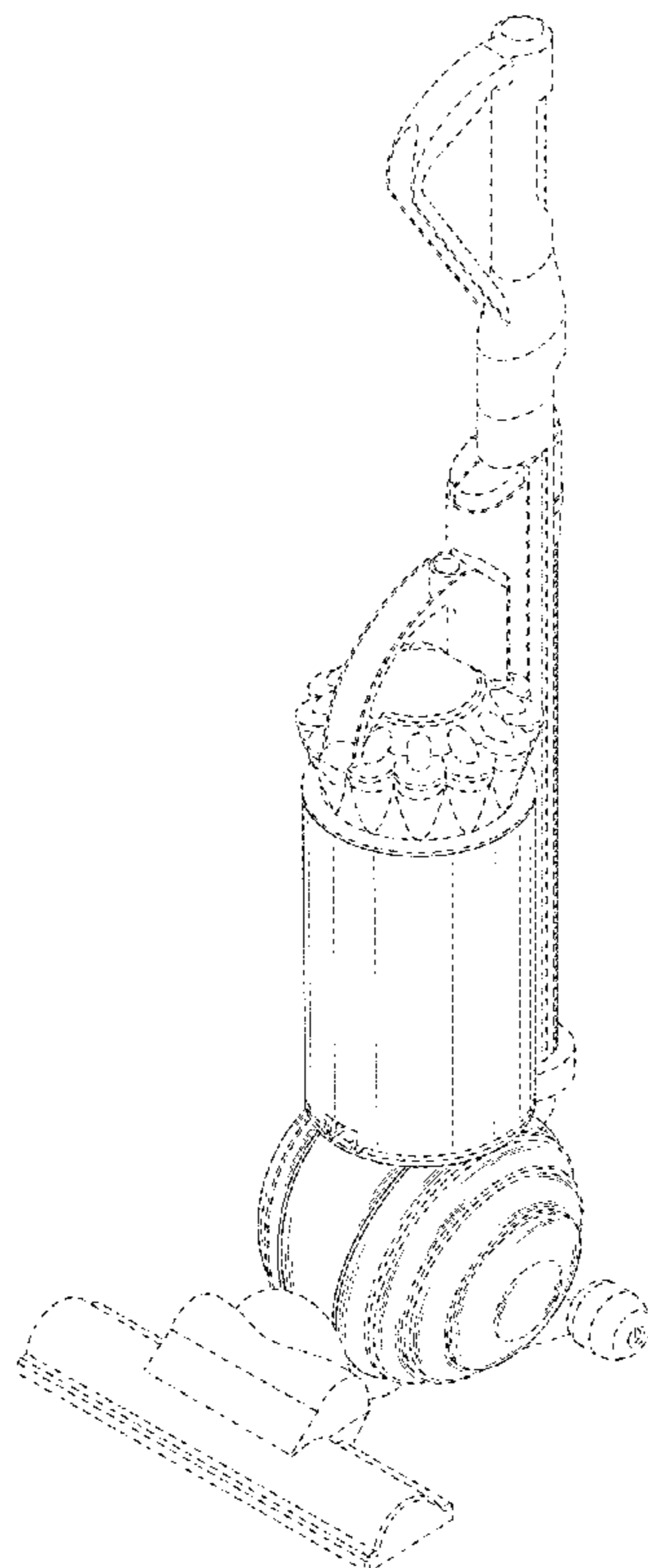
(57) **CLAIM**

We claim the ornamental design for a vacuum cleaner, as shown and described.

**DESCRIPTION**

FIG. 1 is a perspective view of a vacuum cleaner showing our new design;  
FIG. 2 is a front view thereof;  
FIG. 3 is a side view thereof;  
FIG. 4 is a rear view thereof;  
FIG. 5 is a side view from the side opposite that of FIG. 3;  
FIG. 6 is a plan view thereof from above; and,  
FIG. 7 is a plan view thereof from below.  
The details shown in broken lines form no part of the claimed design.

**1 Claim, 7 Drawing Sheets**



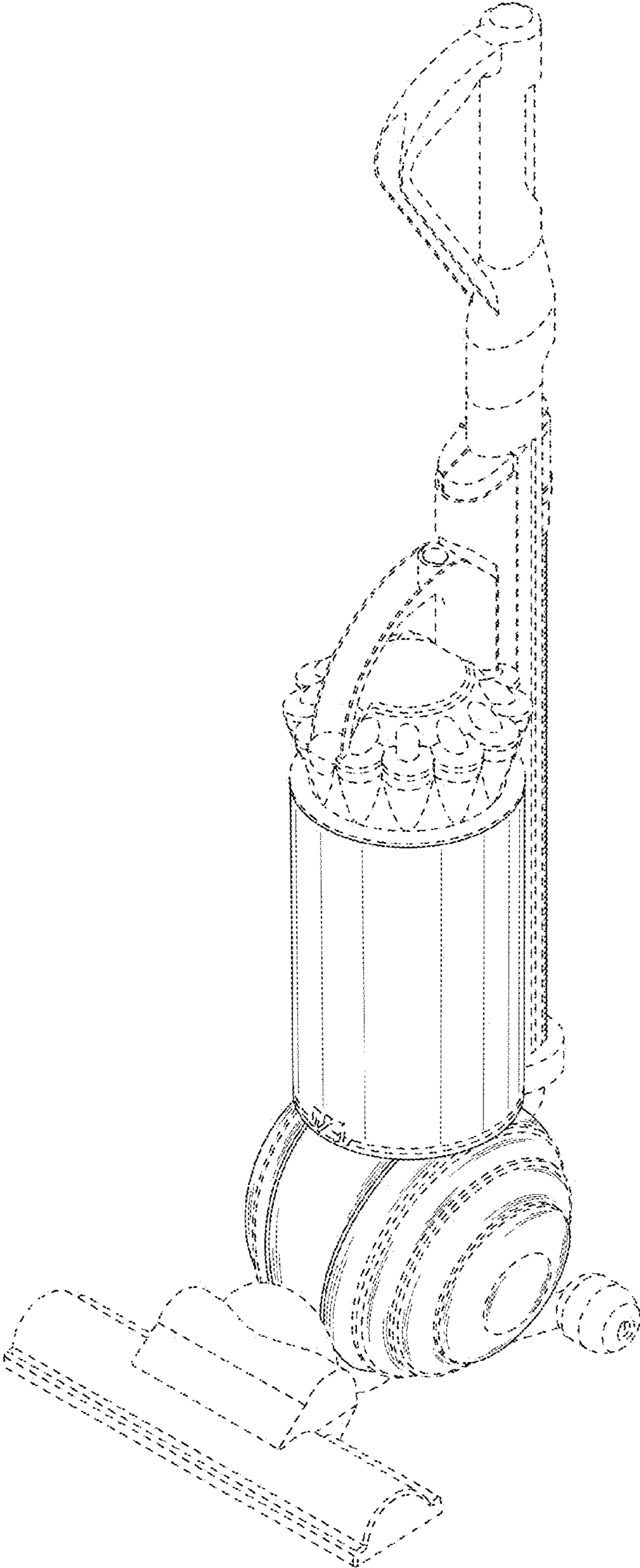


FIG. 1

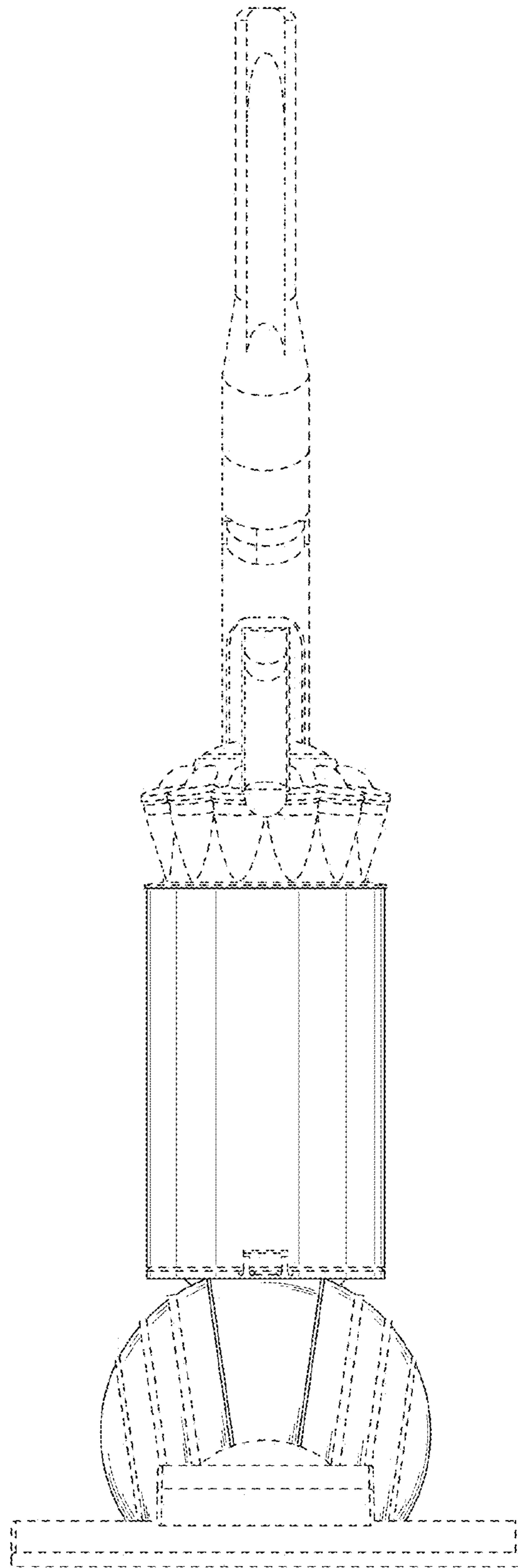


FIG. 2

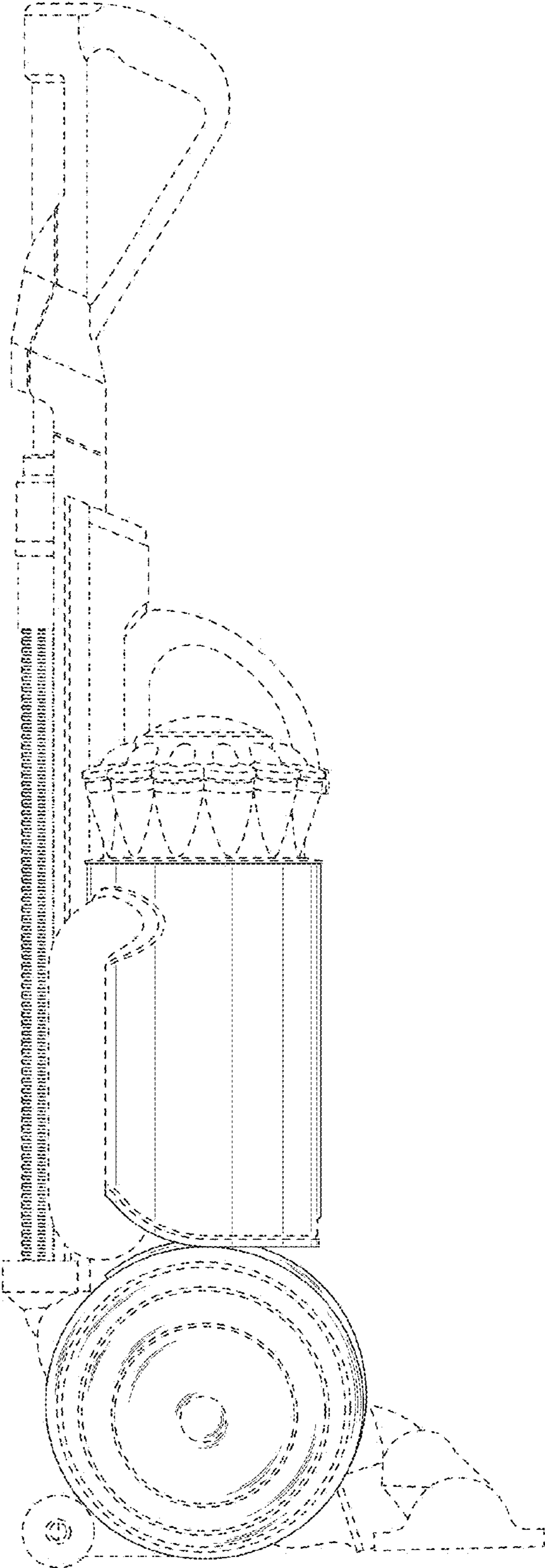


FIG. 3

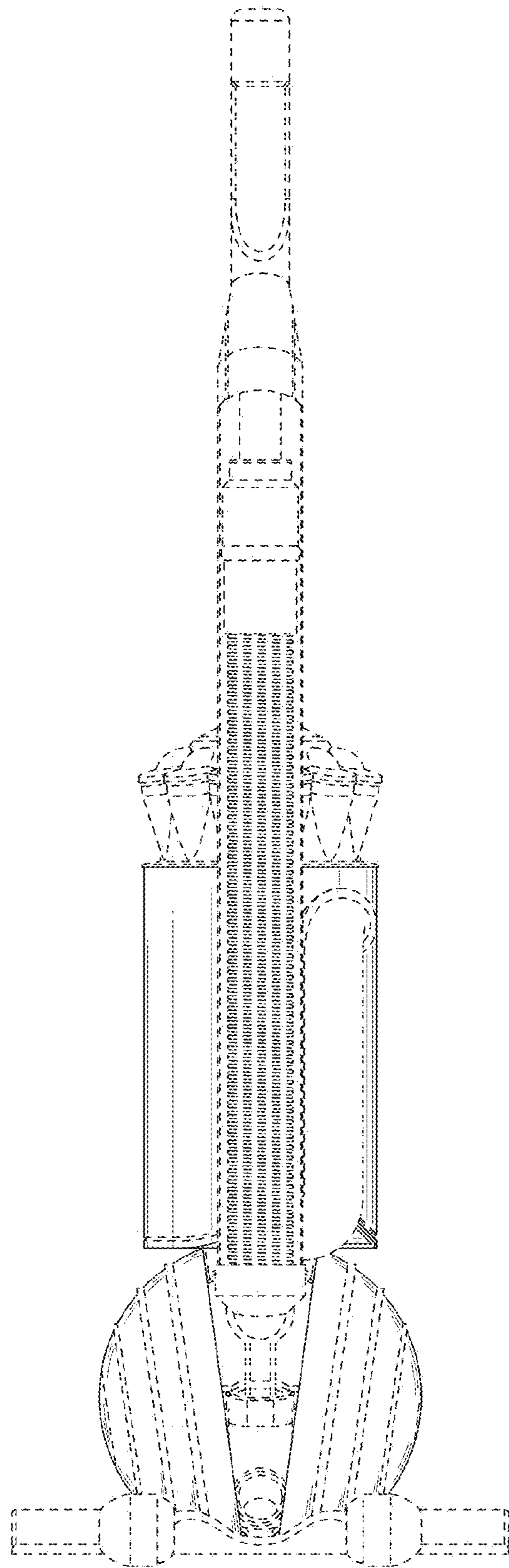


FIG. 4

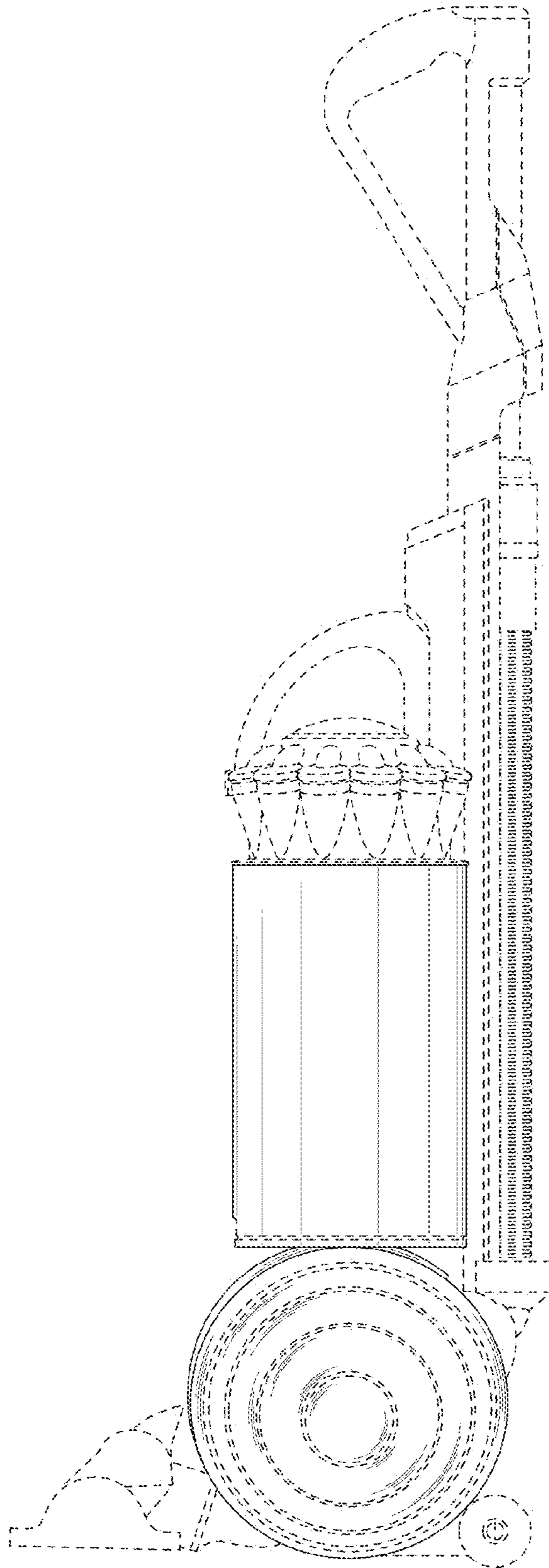


FIG. 5

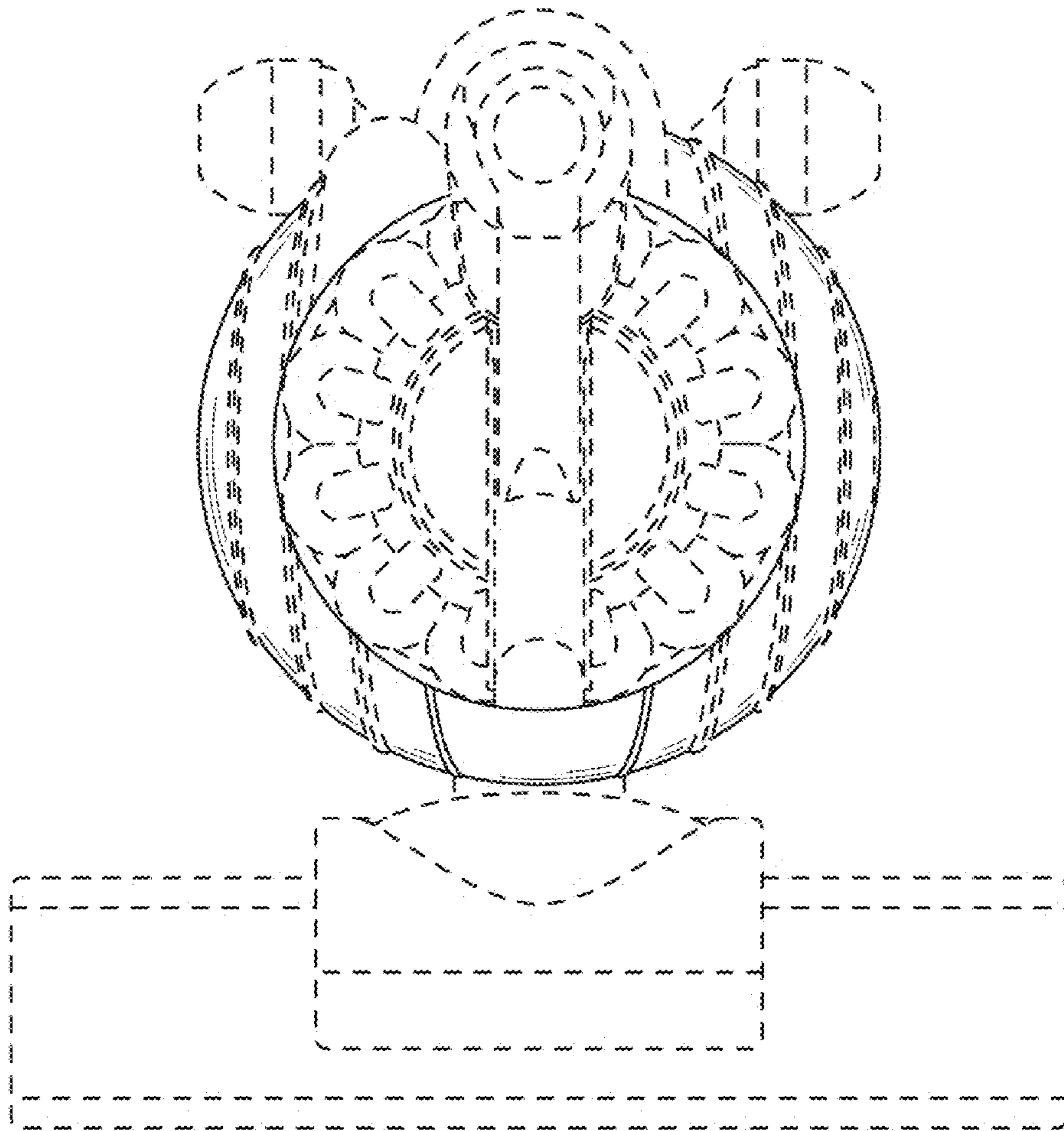


FIG. 6

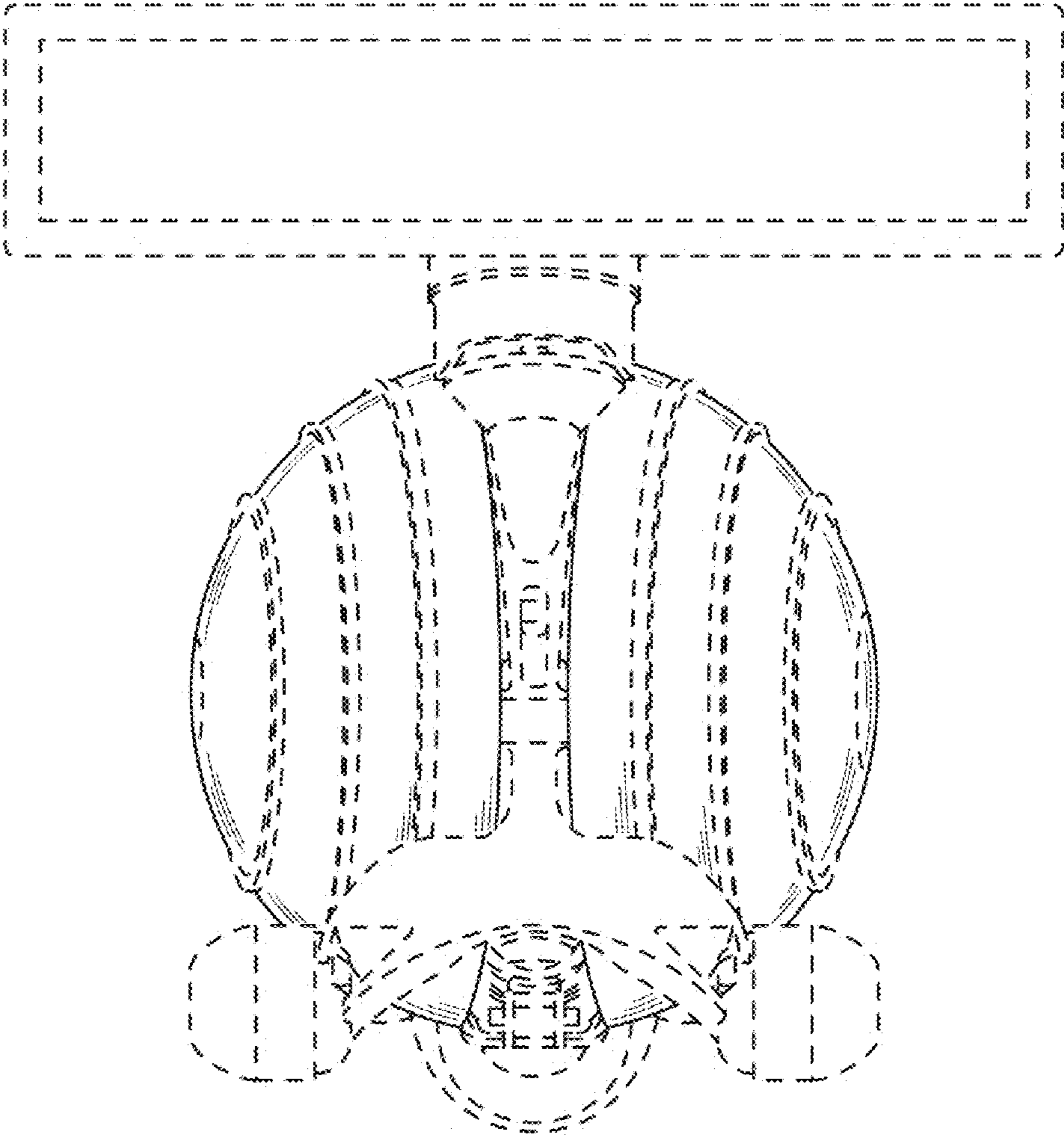


FIG. 7