

US00D674157S

(12) **United States Design Patent**
Taewan et al.

(10) **Patent No.:** **US D674,157 S**
(45) **Date of Patent:** **** Jan. 8, 2013**

(54) **DRUM FOR WASHING MACHINE**
(75) Inventors: **An Taewan**, Sungnam-si (KR); **Kim Youngjae**, Incheon (KR)
(73) Assignee: **Samsung Electronics Co., Ltd.**, Gyeonggi-do (KR)
(**) Term: **14 Years**
(21) Appl. No.: **29/417,784**
(22) Filed: **Apr. 9, 2012**
(51) **LOC (9) Cl.** **15-05**
(52) **U.S. Cl.** **D32/29**
(58) **Field of Classification Search** D32/1, D32/25, 29; 68/3 R, 4, 5 R, 12.01, 12.08, 68/212, 23 R, 23.3, 23.4, 142; 34/58, 108, 34/130-132, 595-597, 602
See application file for complete search history.

D556,404 S * 11/2007 Park et al. D32/25
D582,533 S * 12/2008 Bodine D23/366
7,661,204 B2 * 2/2010 Maxson 36/44
D652,591 S * 1/2012 Kim D32/25
2003/0115913 A1 * 6/2003 Lee et al. 68/23.3
2004/0089030 A1 * 5/2004 Rhode et al. 68/23 R
2005/0022565 A1 * 2/2005 Jung et al. 68/24
2007/0251278 A1 * 11/2007 Barcha et al. 68/23.3

* cited by examiner

Primary Examiner — T. Chase Nelson
Assistant Examiner — Kathleen M Sims
(74) *Attorney, Agent, or Firm* — Harness, Dickey & Pierce, P.L.C.

(57) **CLAIM**
We claim the ornamental design for a drum for washing machine, as shown and described.

DESCRIPTION

FIG. 1 is a front/right-side/top perspective view of a drum for washing machine showing our new design; FIG. 2 is a front-side elevational view thereof; FIG. 3 is a rear-side elevational view thereof; FIG. 4 is a left-side elevational view thereof; FIG. 5 is a right-side elevational view thereof; FIG. 6 is a top-side elevational view thereof; FIG. 7 is a bottom-side elevational view thereof; and, FIG. 8 is an enlarged view of a portion thereof. The broken line showing of details in FIGS. 1-8 is included for the purpose of showing environmental portions of the drum for washing machine and forms no part of the claimed design.

1 Claim, 8 Drawing Sheets

(56) **References Cited**
U.S. PATENT DOCUMENTS
D174,702 S * 5/1955 Oberg D32/29
2,783,551 A * 3/1957 Giannini 34/602
4,888,965 A * 12/1989 Fanson et al. 68/23.4
5,287,989 A * 2/1994 Luther 220/676
D358,204 S * 5/1995 Ferrier D23/314
5,881,909 A * 3/1999 Crain et al. 220/676
D426,686 S * 6/2000 Clausen et al. D32/29
6,401,363 B1 * 6/2002 Miramondi 34/602
6,622,531 B2 * 9/2003 Ren et al. 68/140
D528,719 S * 9/2006 No et al. D32/29
D532,566 S * 11/2006 Park D32/29
D532,940 S * 11/2006 Park D32/6

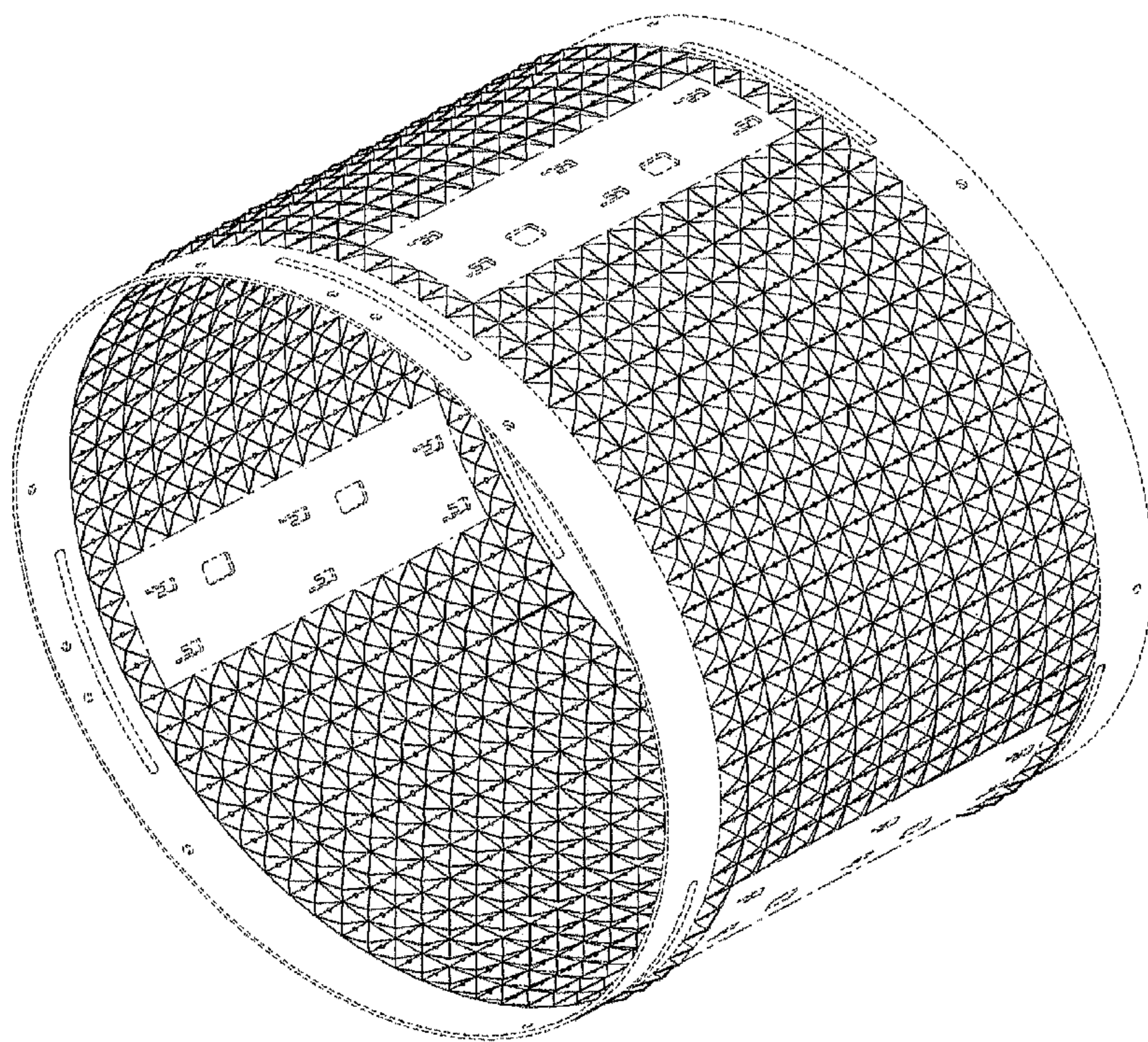


FIG. 1

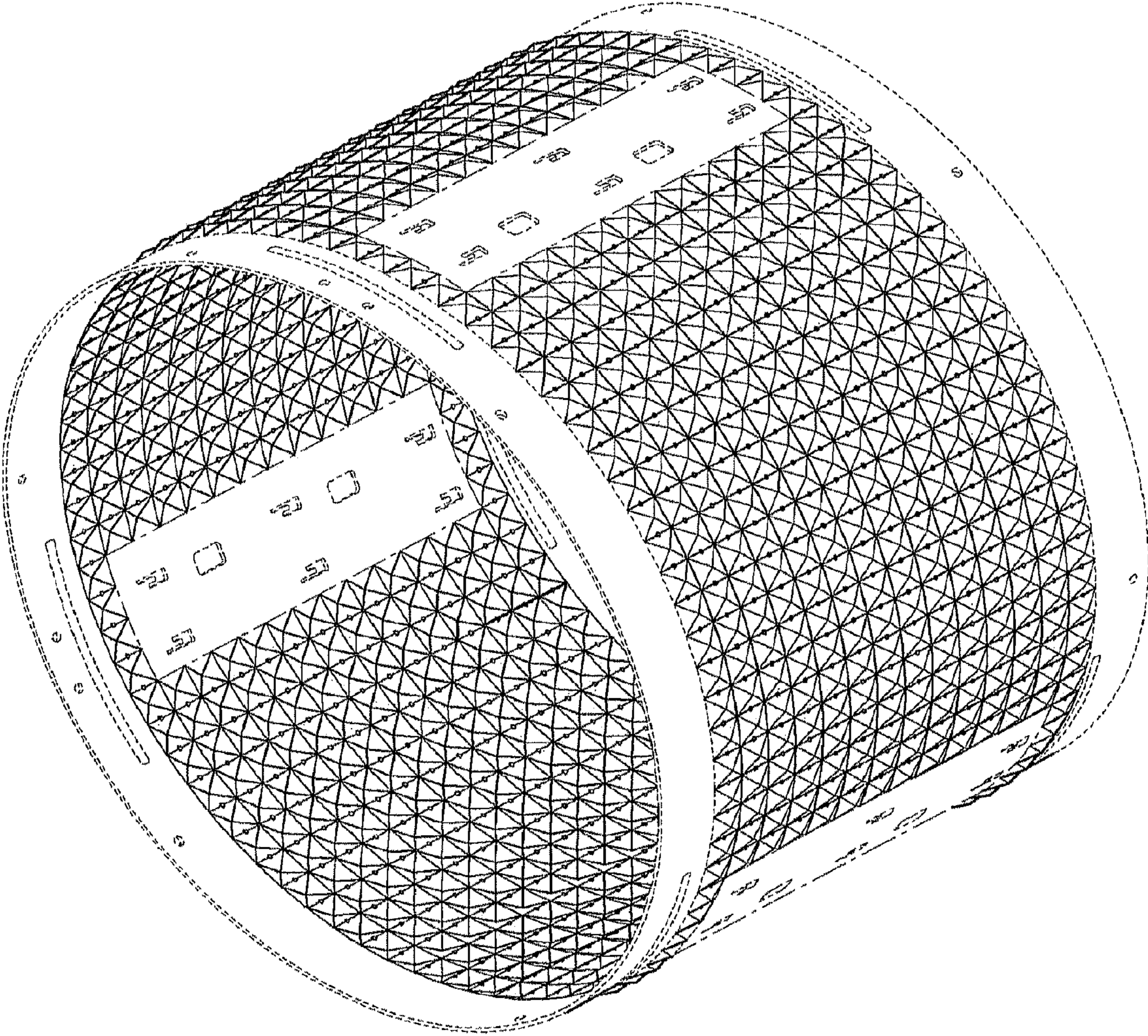


FIG. 2

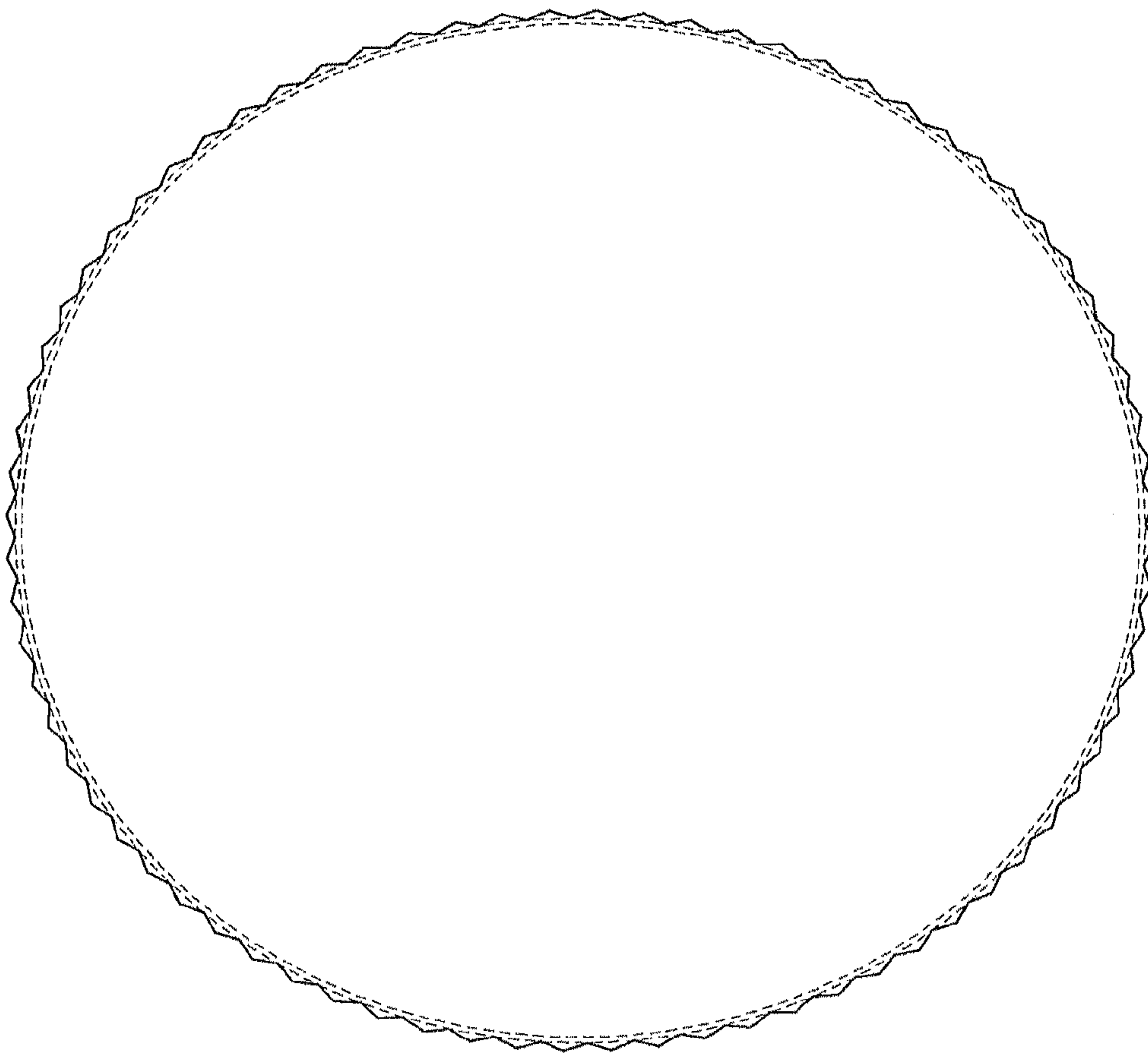


FIG. 3

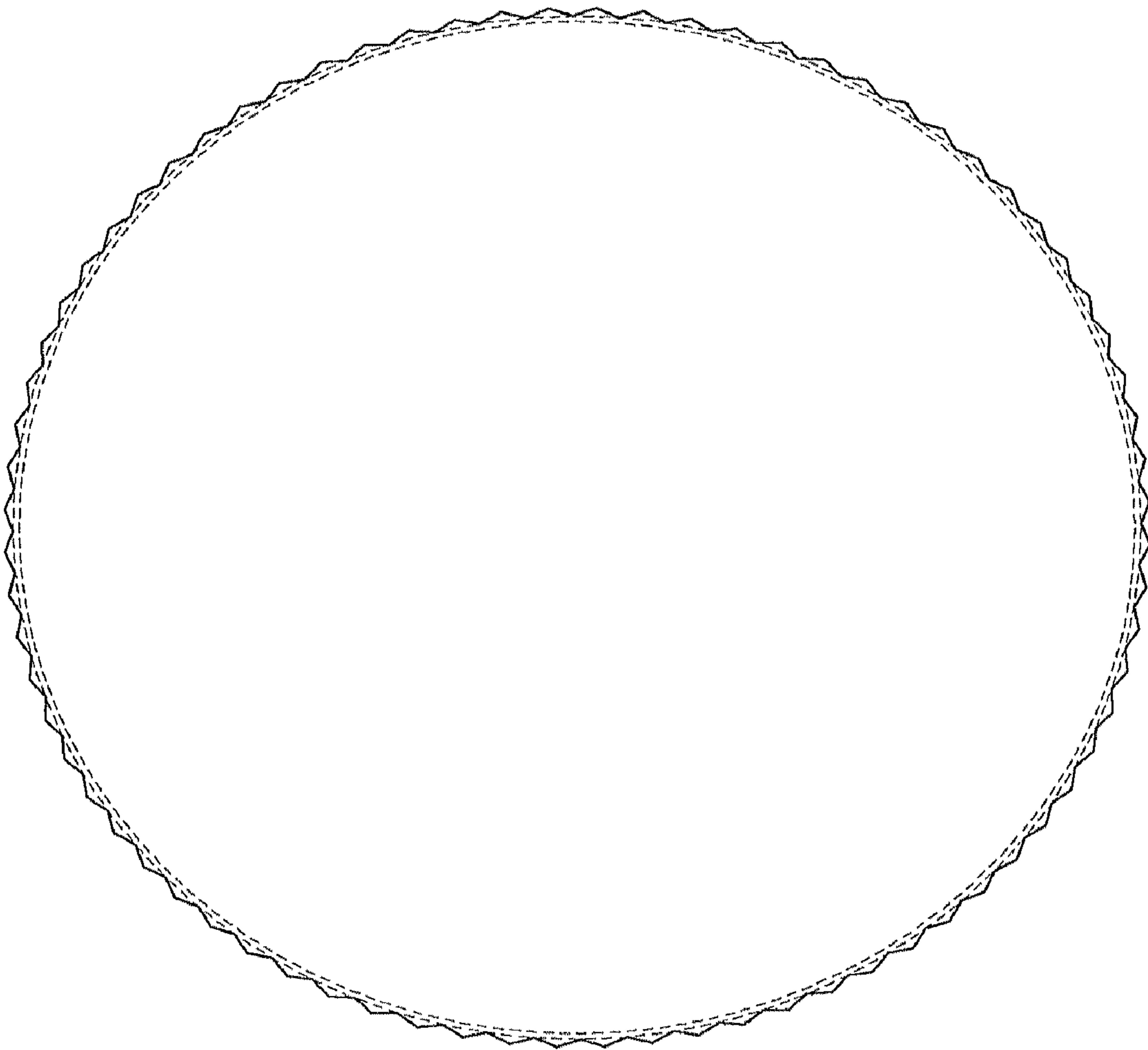


FIG. 4

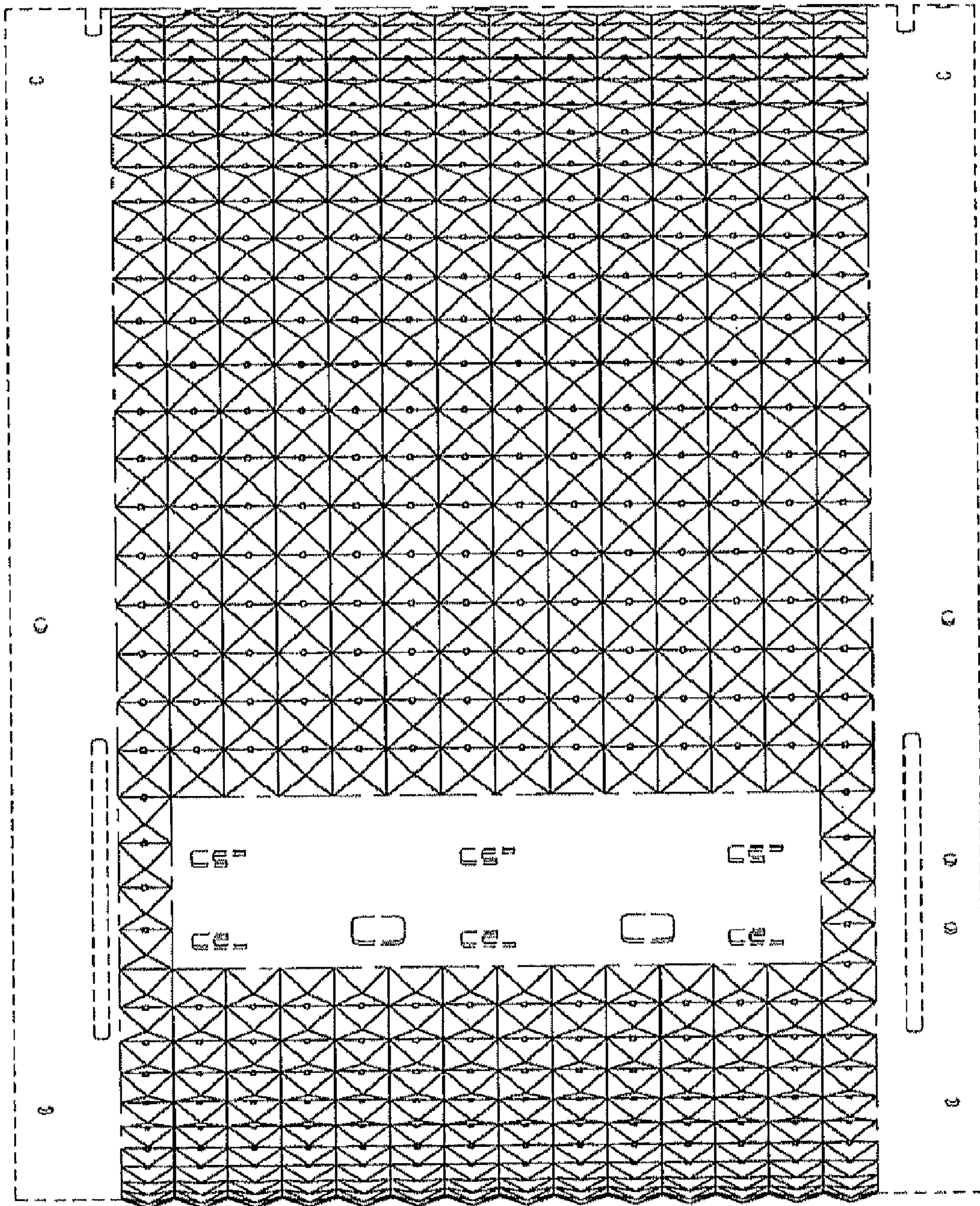


FIG. 5

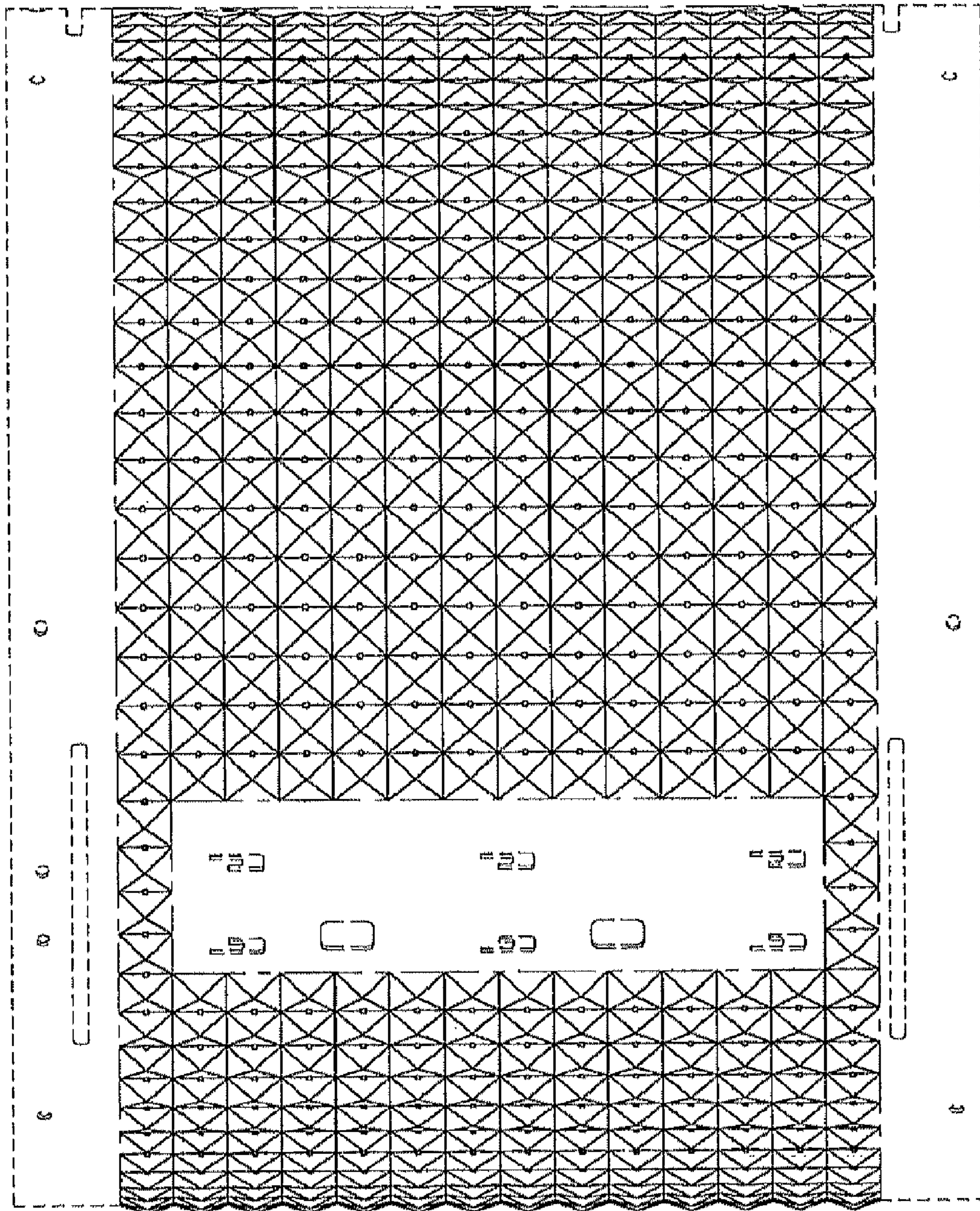


FIG. 6

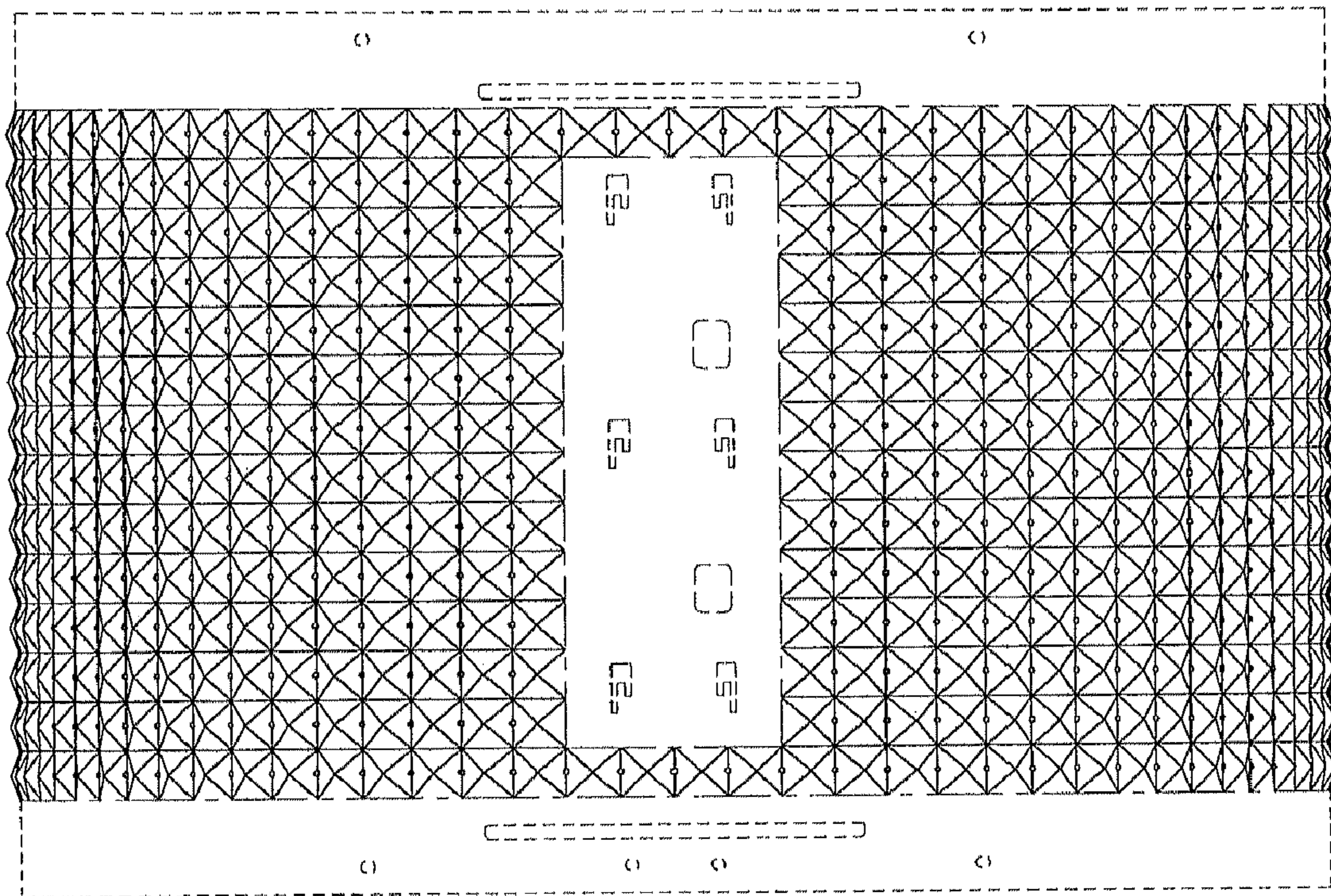


FIG. 7

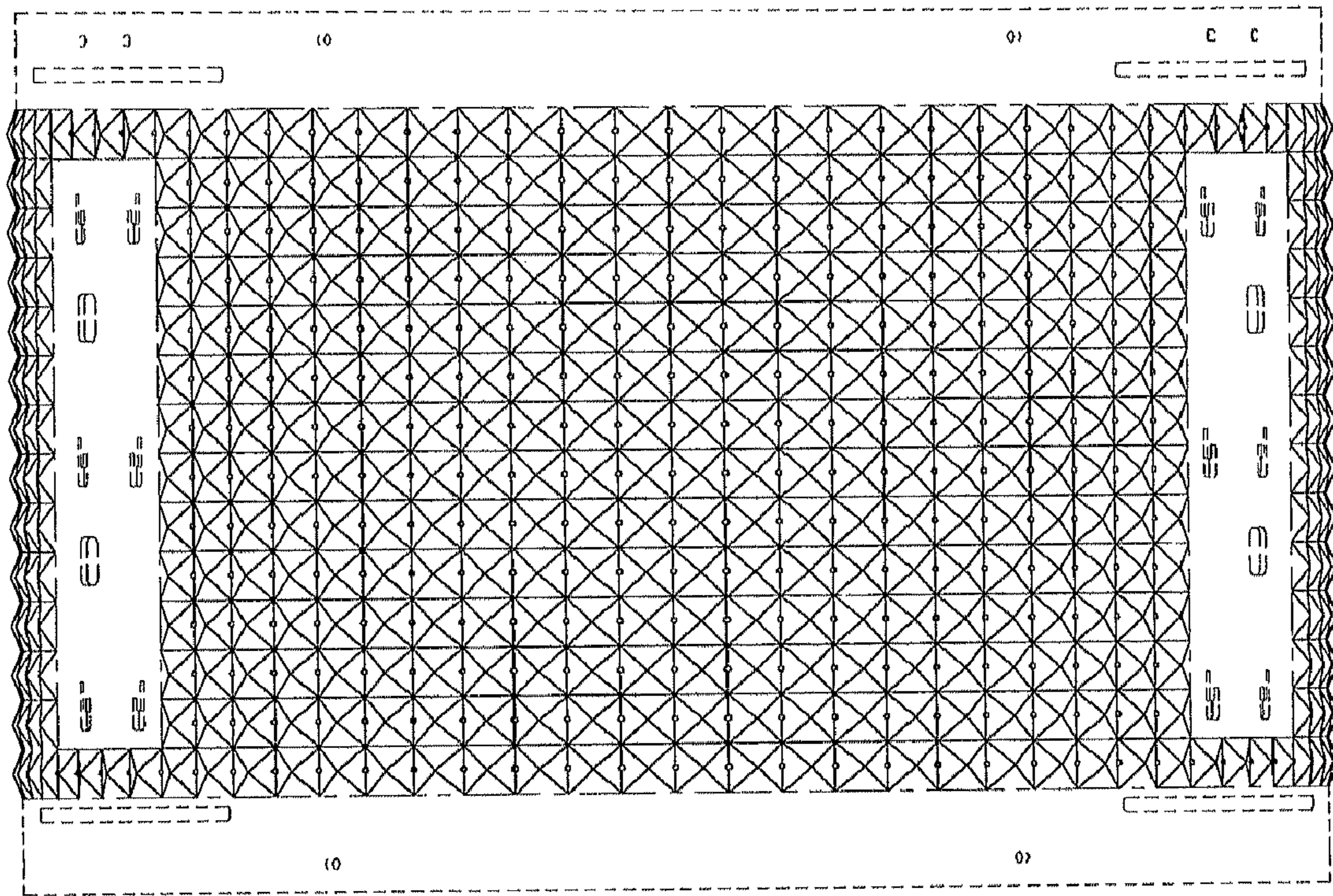


FIG. 8

