



US00D674156S

(12) **United States Design Patent**
McIntyre

(10) **Patent No.:** **US D674,156 S**
(45) **Date of Patent:** **** Jan. 8, 2013**

(54) **ANIMAL FEEDER**

(75) Inventor: **Robert Dymock McIntyre**, Hunterville (NZ)

(73) Assignee: **Peach Teats Limited**, Hunterville (NZ)

(**) Term: **14 Years**

(21) Appl. No.: **29/352,071**

(22) Filed: **Dec. 15, 2009**

(30) **Foreign Application Priority Data**

Jun. 16, 2009 (NZ) 412402

(51) **LOC (9) Cl.** **30-03**

(52) **U.S. Cl.** **D30/131; D30/121**

(58) **Field of Classification Search** D30/121, D30/122, 129-133; 119/61.5, 51.01, 61.56, 119/51.03, 59, 62, 63, 51.5, 57.8, 74, 61.54, 119/61.55, 71, 61.57, 477, 454, 515, 464; 312/204, 327; 248/151, 188, 222.14, 210; 108/156, 153.1-157; 220/23.87, 630, 737, 220/743, 9.4, 495.01, 574, 212, 255, 23.83, 220/482, 758, 671, 769, 776, 904, 751, 770; 206/515, 524.5; D7/586, 543, 550.1, 587, D7/505, 584, 545, 500, 553.1-553.8, 546, D7/555, 556, 504, 565, 562, 602; D9/429; 43/109; D22/122; 99/430, DIG. 15; D32/53; 222/465.1

See application file for complete search history.

(56) **References Cited**

U.S. PATENT DOCUMENTS

D139,569 S * 11/1944 O3 Brien D32/53
2,620,006 A * 12/1952 Sorron-Zabala 220/758
D190,532 S * 6/1961 Heimsoth D30/121

3,292,815 A * 12/1966 Smith et al. 220/736
3,329,321 A * 7/1967 Moore 222/465.1
D208,276 S * 8/1967 Moore D32/53
D232,846 S * 9/1974 Fusco et al. D30/121
4,164,299 A * 8/1979 Fuhr 220/555
D270,961 S * 10/1983 Hawkins et al. D32/53
5,064,090 A * 11/1991 Farrier 220/482
D345,832 S * 4/1994 Frazee et al. D32/53.1
D353,241 S * 12/1994 Breen D32/53
5,400,916 A * 3/1995 Weber 220/495.02
5,511,279 A * 4/1996 Ippolito 15/257.06
D389,626 S * 1/1998 Lundy D32/53
5,810,196 A * 9/1998 Lundy 220/736
D425,277 S * 5/2000 Kent D32/53
6,062,389 A * 5/2000 Kent 206/518
6,065,633 A * 5/2000 Abbey 220/501
D426,361 S * 6/2000 Young D32/53
6,189,489 B1 * 2/2001 Pearce 119/477
6,260,663 B1 * 7/2001 Combs 182/129

(Continued)

Primary Examiner — Susan Moon Lee

(74) *Attorney, Agent, or Firm* — Young & Thompson

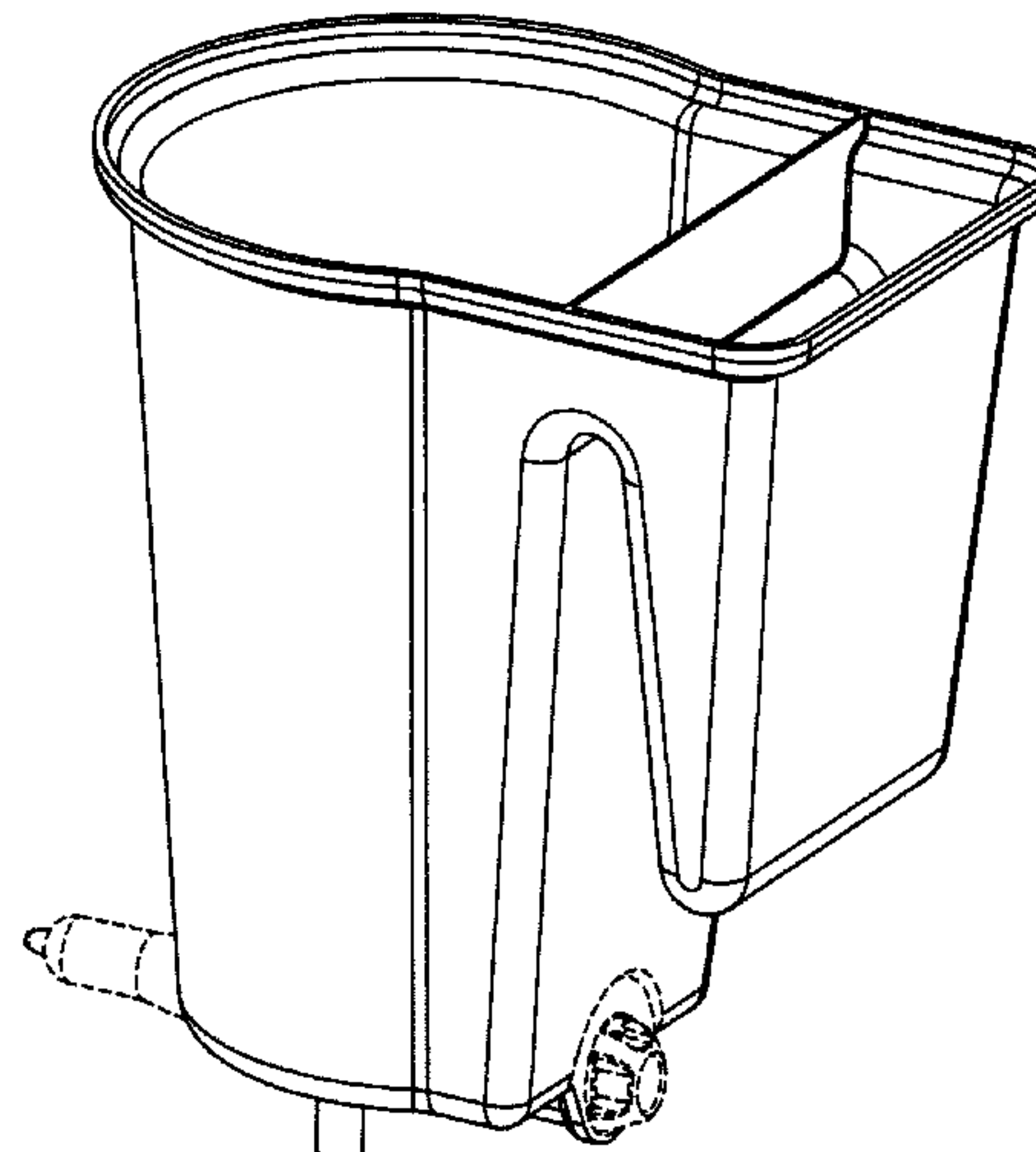
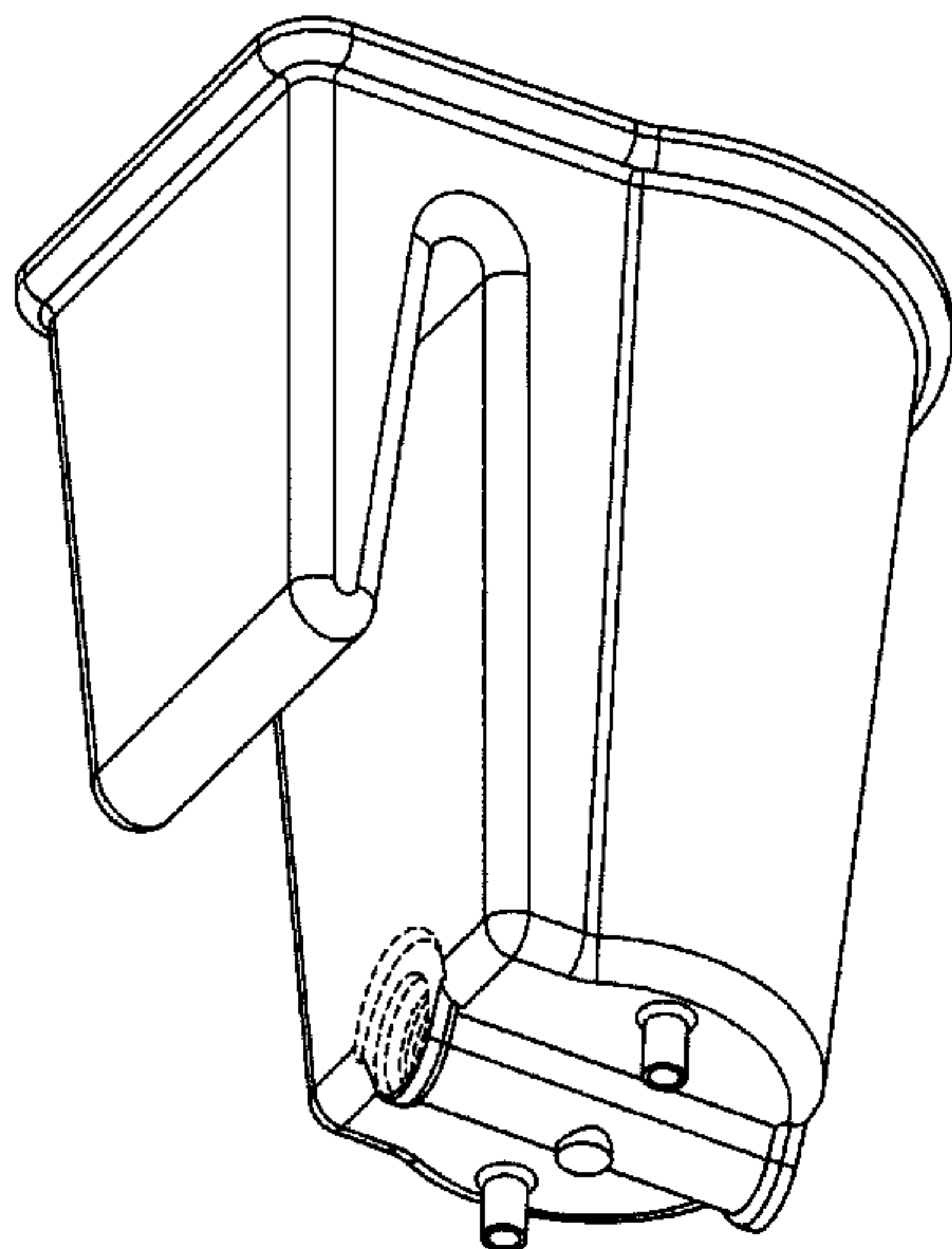
(57) **CLAIM**

I claim the ornamental design for an animal feeder, as shown and described.

DESCRIPTION

FIG. 1 is a front view of an animal feeder;
FIG. 2 is a side view of an animal feeder;
FIG. 3 is a back view of an animal feeder;
FIG. 4 is a top view of an animal feeder;
FIG. 5 is a bottom view of an animal feeder;
FIG. 6 is a perspective view of an animal feeder; and,
FIG. 7 is a perspective view of an animal feeder showing a teat mounted to the feeder in second position.
Broken lines and portions contained within broken lines are not claimed.

1 Claim, 6 Drawing Sheets



US D674,156 S

Page 2

U.S. PATENT DOCUMENTS

D451,648 S *	12/2001	Johnson	D30/129	D536,851 S *	2/2007	Lauer	D32/53
D458,723 S *	6/2002	Malvasio	D32/53.1	D537,996 S *	3/2007	Lundy	D32/53.1
D483,917 S *	12/2003	Frantz	D32/53.1	D578,264 S *	10/2008	Lundy et al.	D32/53.1
6,732,674 B2 *	5/2004	Gustin	119/72	D589,214 S *	3/2009	Johnston	D30/131
6,783,021 B2 *	8/2004	Kaura	220/482	D607,623 S *	1/2010	Hagen	D32/53
D499,223 S *	11/2004	Libman et al.	D32/53	D617,517 S *	6/2010	Bergman	D32/53.1
D518,262 S *	3/2006	Jurgens	D32/53	D619,318 S *	7/2010	Miller et al.	D32/53
D527,153 S *	8/2006	Morad et al.	D32/53	D620,661 S *	7/2010	Tsai	D32/53
D533,977 S *	12/2006	Bensussan et al.	D32/53					

* cited by examiner

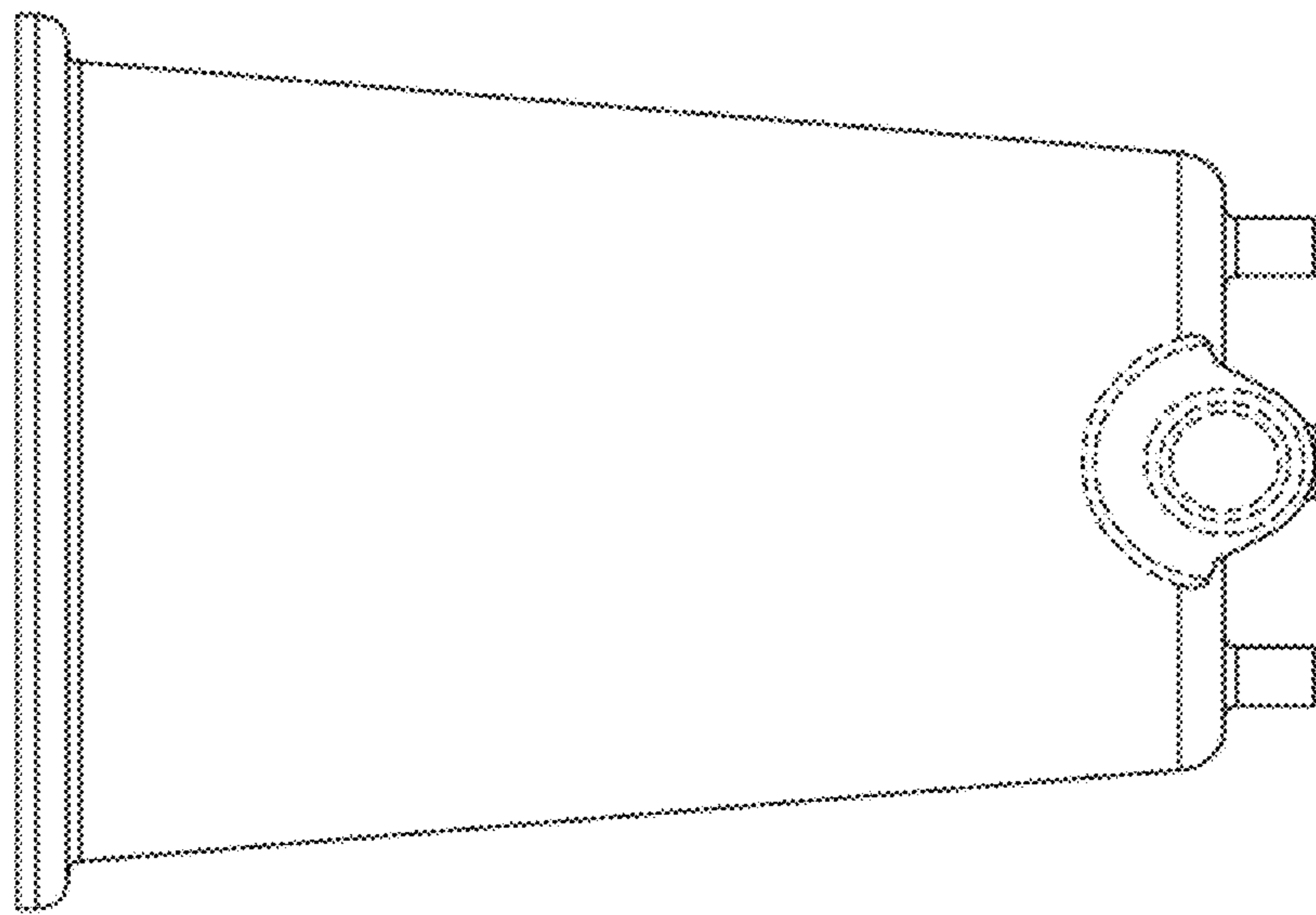


FIG. 1

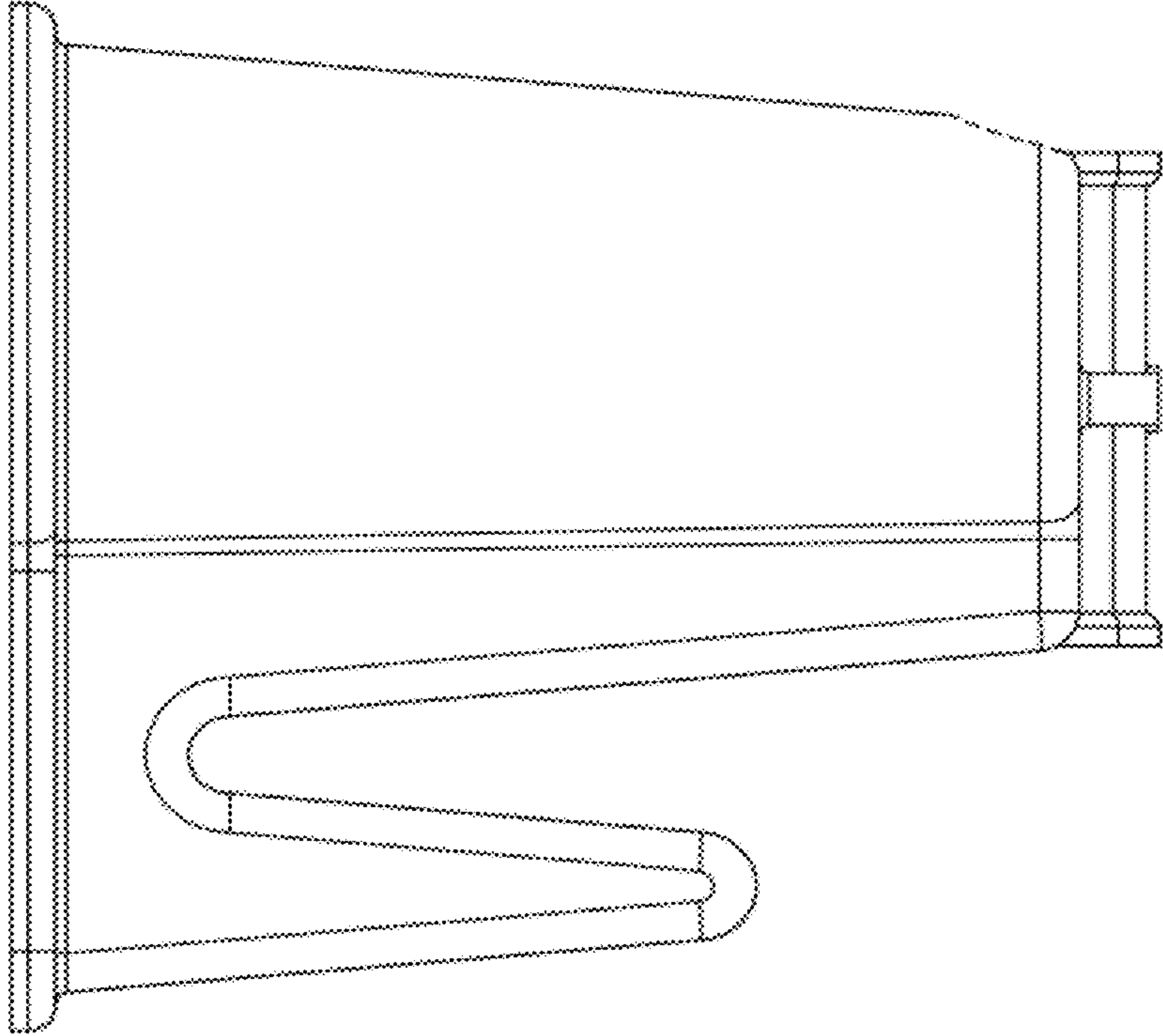


FIG. 2

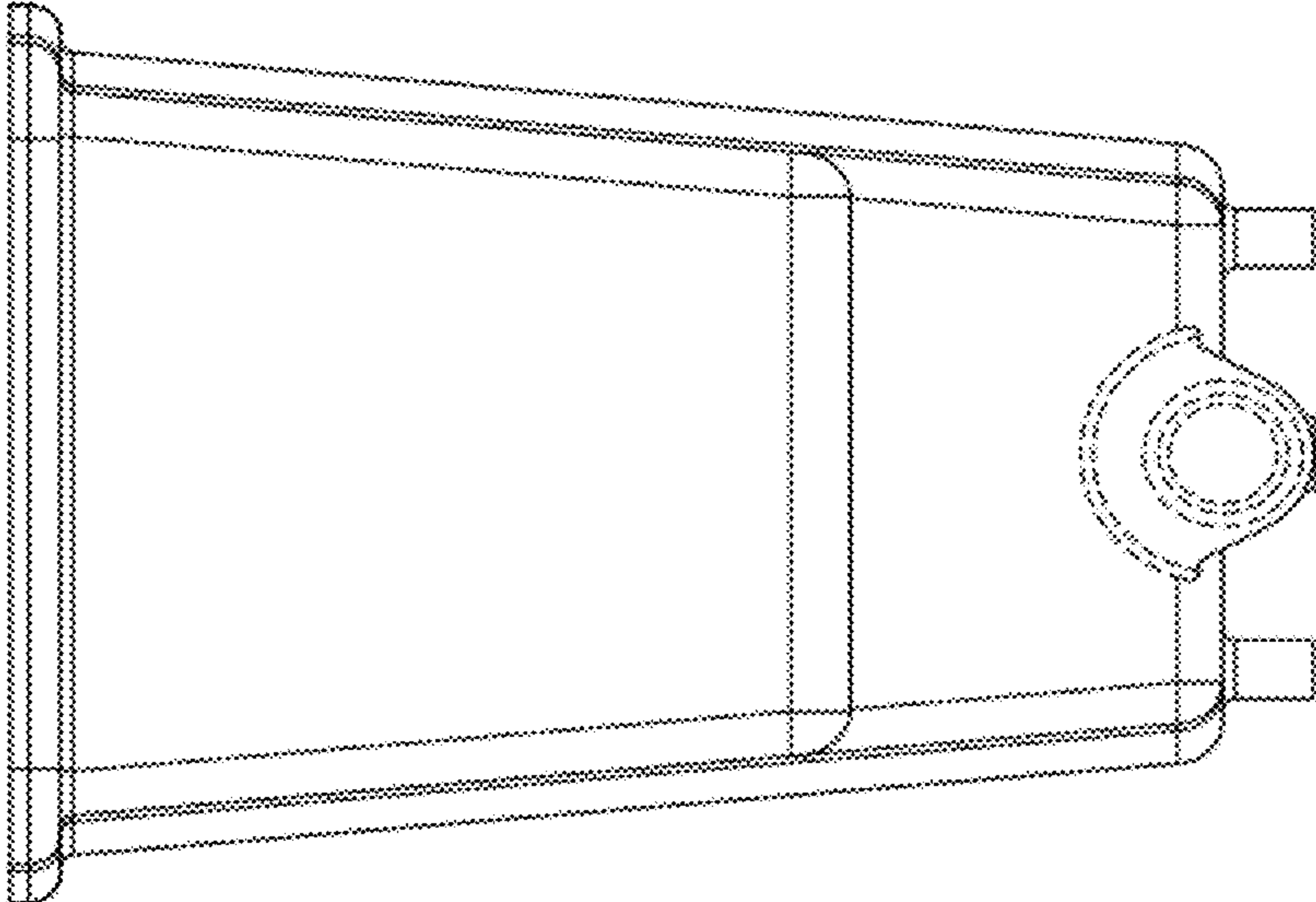


FIG. 3

FIG. 5

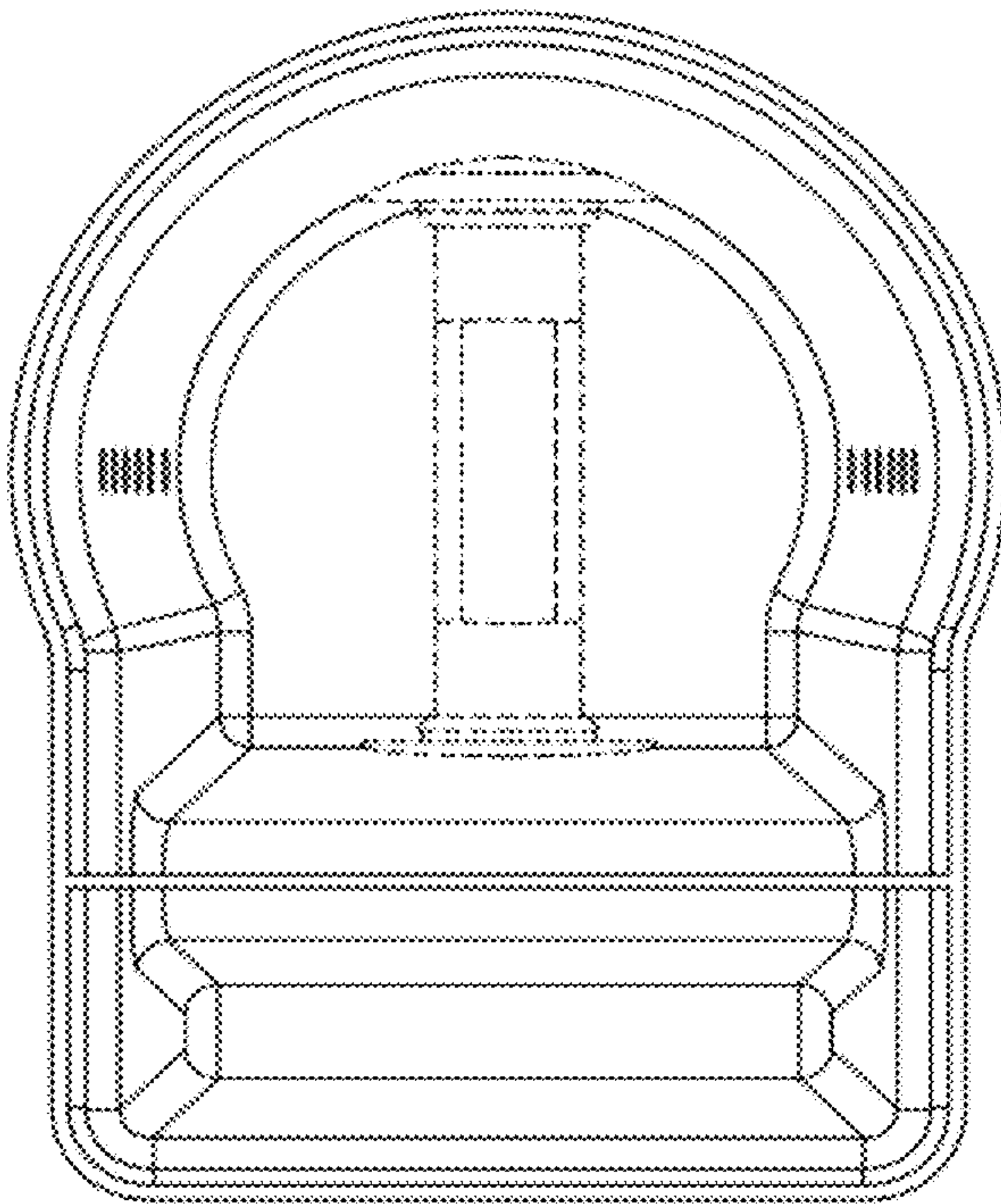
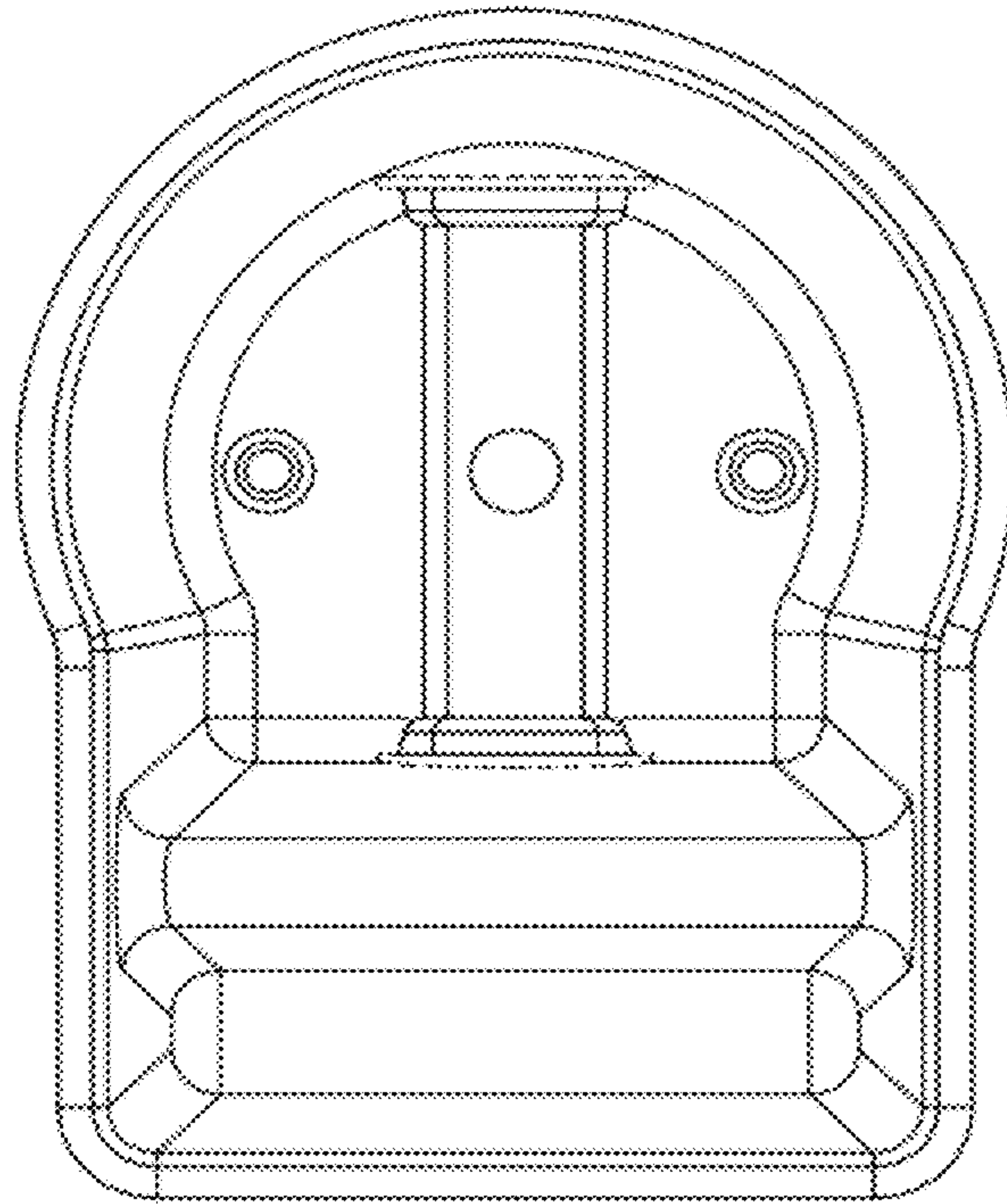


FIG. 4

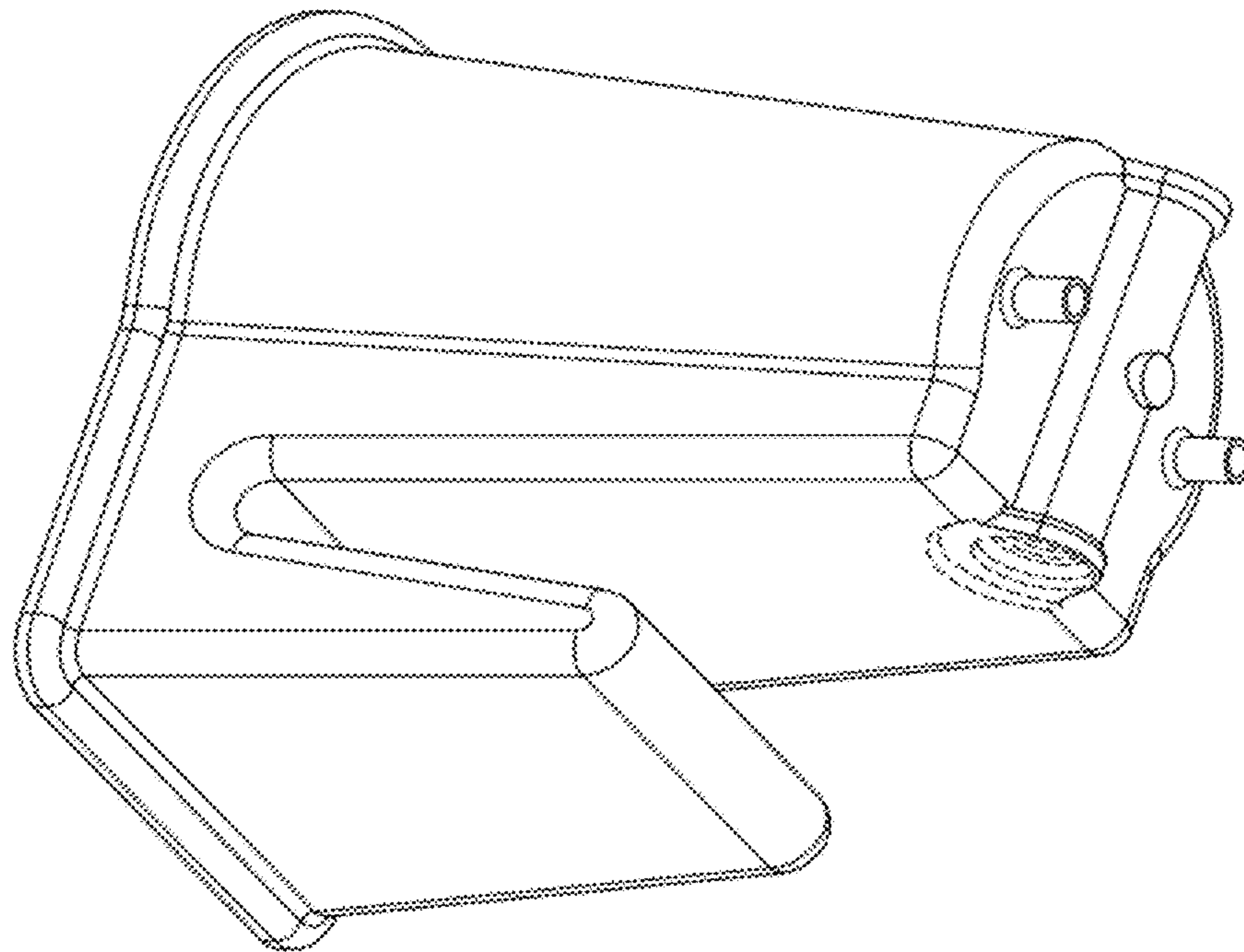


FIG. 6

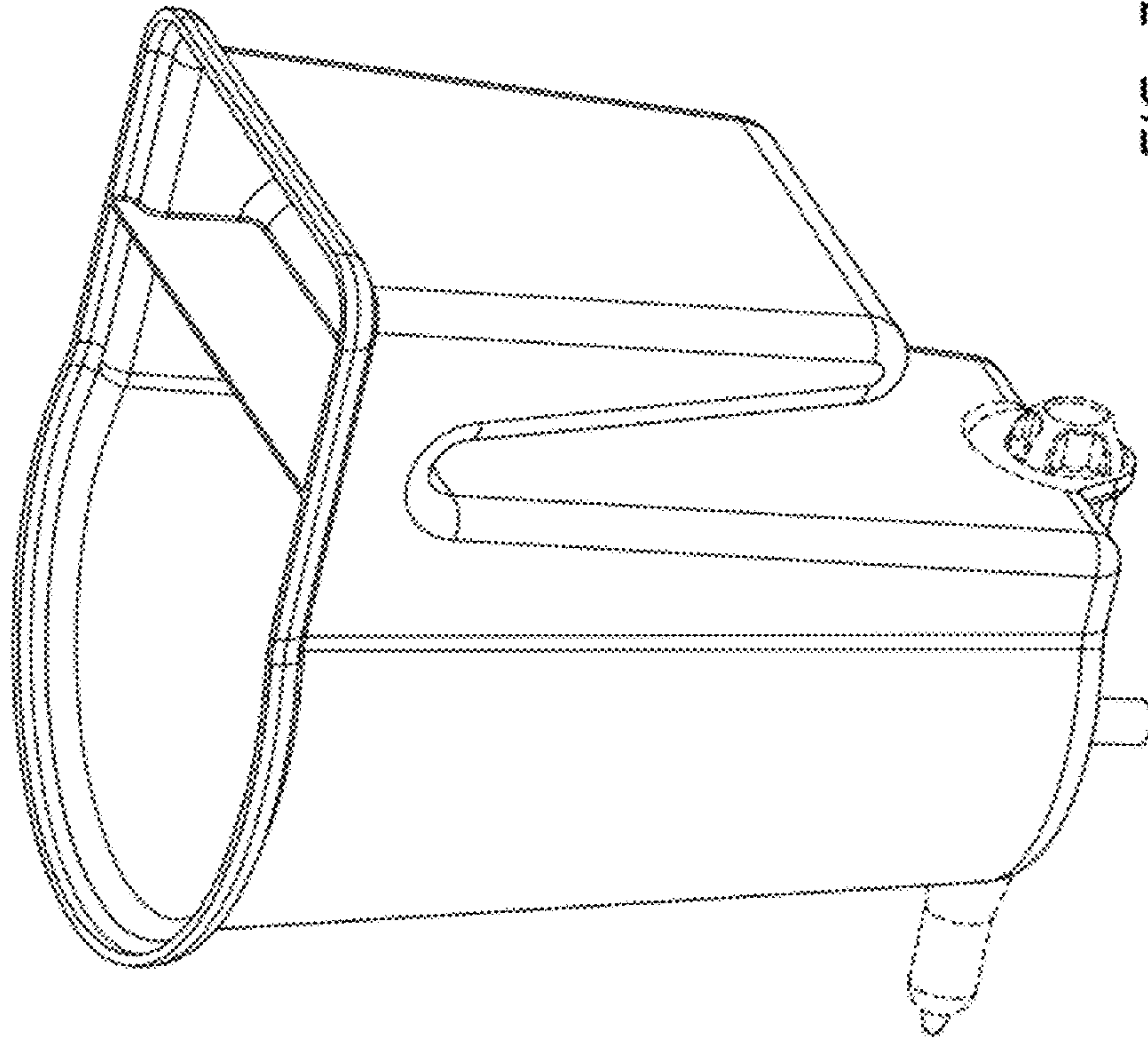


FIG. 7