



US00D674155S

(12) **United States Design Patent**
Greene et al.

(10) **Patent No.:** **US D674,155 S**
(45) **Date of Patent:** **** Jan. 8, 2013**

(54) **SHELF OF AN ANIMAL CAGE**
(75) Inventors: **Michael Eric Greene**, Muncie, IN (US);
Terrance L. Jones, Muncie, IN (US)
(73) Assignee: **Mid-West Metal Products Co., Inc.**,
Muncie, IN (US)

D384,778 S * 10/1997 Powers et al. D30/119
5,845,432 A * 12/1998 Tully et al. 119/452
D433,662 S * 11/2000 Fanshaw et al. D12/407
D435,705 S * 12/2000 Powers et al. D30/120
D481,350 S * 10/2003 McCoy et al. D12/400
6,895,899 B2 * 5/2005 Schrader 119/467
7,237,509 B2 * 7/2007 Bonner et al. 119/452
2007/0277745 A1 12/2007 Clemmons et al.

(**) Term: **14 Years**
(21) Appl. No.: **29/350,142**

OTHER PUBLICATIONS

Avian Adventures, "Avian Adventures 2007-2008 Catalog", brochure pp. 1-12, Avian Adventures, 13601 Preston Rd. #910E, Dallas, TX 75240.

(22) Filed: **Nov. 12, 2009**
(51) **LOC (9) Cl.** **30-02**
(52) **U.S. Cl.** **D30/119**
(58) **Field of Classification Search** D30/114,
D30/116, 119-120; D12/195, 414, 426,
D12/425; 119/452, 462-463, 467, 753; D7/550.1,
D7/552.1; D9/424
See application file for complete search history.

* cited by examiner

Primary Examiner — Cathy A MacCormac
(74) *Attorney, Agent, or Firm* — Taft Stettinius & Hollister
LLP; Stephen F. Rost, Esq.

(56) **References Cited**

(57) **CLAIM**
The ornamental design for a shelf of an animal cage, as shown and described.

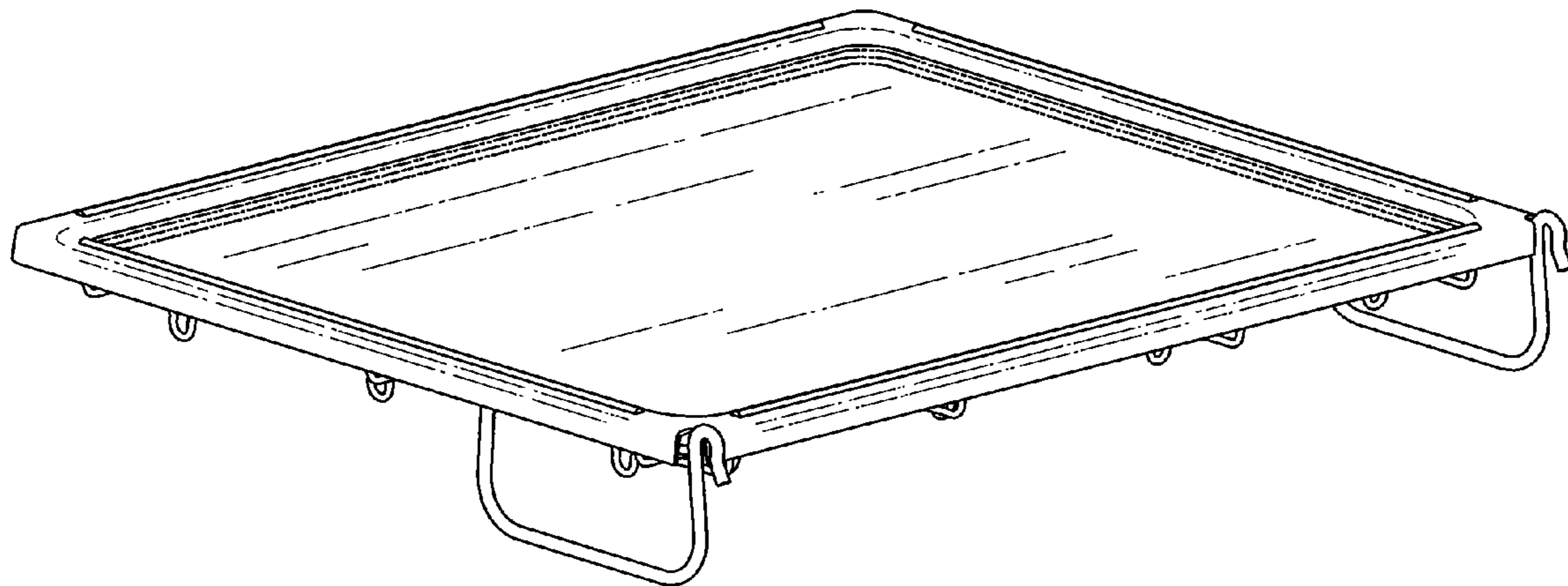
U.S. PATENT DOCUMENTS

DESCRIPTION

D34,440 S * 4/1901 Daggett D7/552.1
2,647,716 A * 8/1953 Hudziak et al. D7/552.1
D204,998 S * 6/1966 Klein D7/552.1
4,112,871 A * 9/1978 Newman 119/464
D257,296 S * 10/1980 White D7/552.1
D270,785 S * 10/1983 White D12/425
D340,339 S * 10/1993 Kean et al. D7/552.1
5,456,208 A * 10/1995 Choenchom 119/467
5,511,511 A * 4/1996 Voren 119/464
D371,644 S * 7/1996 Lillelund et al. D30/119
D380,944 S * 7/1997 Nielsen D7/698

FIG. 1 is a perspective view of a shelf of an animal cage that illustrates the novel design;
FIG. 2 is a front view of the shelf of FIG. 1;
FIG. 3 is a top view of the shelf of FIG. 1;
FIG. 4 is a right side elevational view of the shelf of FIG. 1;
FIG. 5 is a left side elevational view of the shelf of FIG. 1;
FIG. 6 is a back view of the shelf of FIG. 1; and,
FIG. 7 is a bottom view of the shelf of FIG. 1.

1 Claim, 4 Drawing Sheets



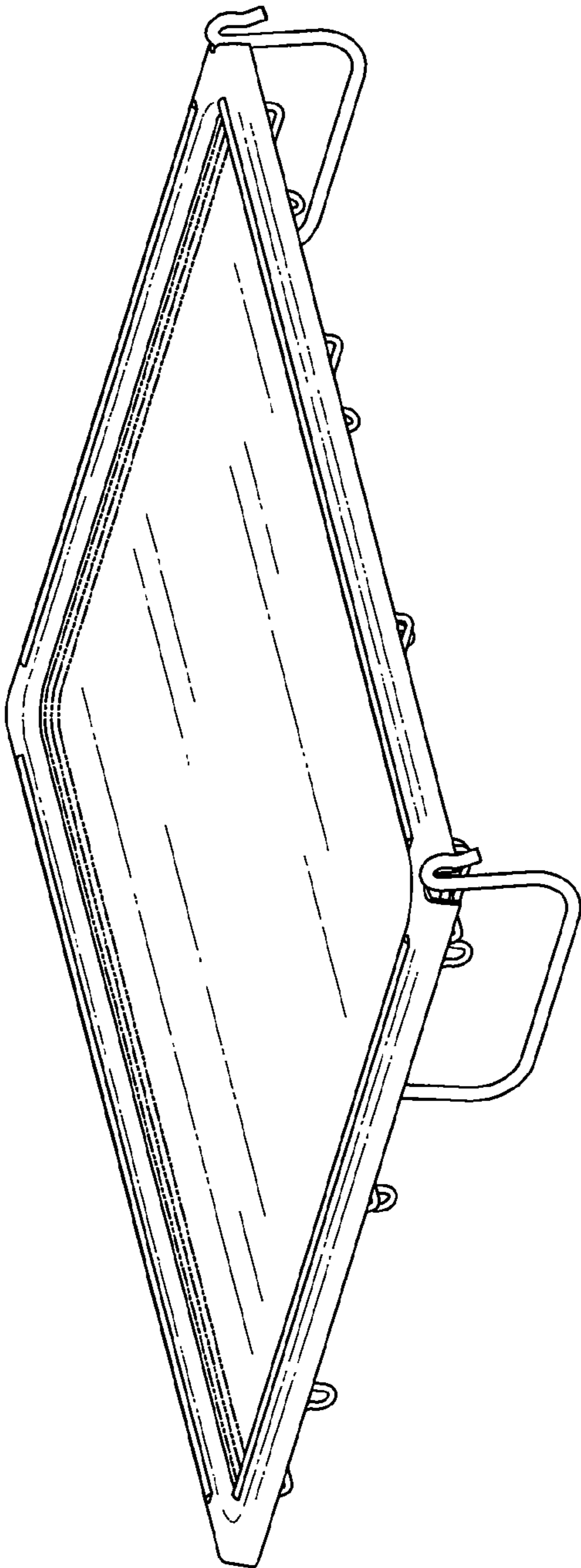


FIG. 1

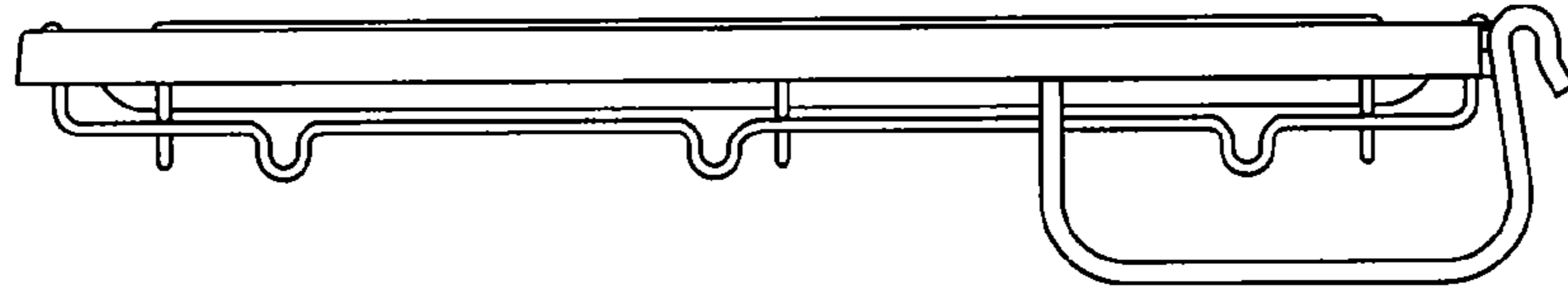


FIG. 2

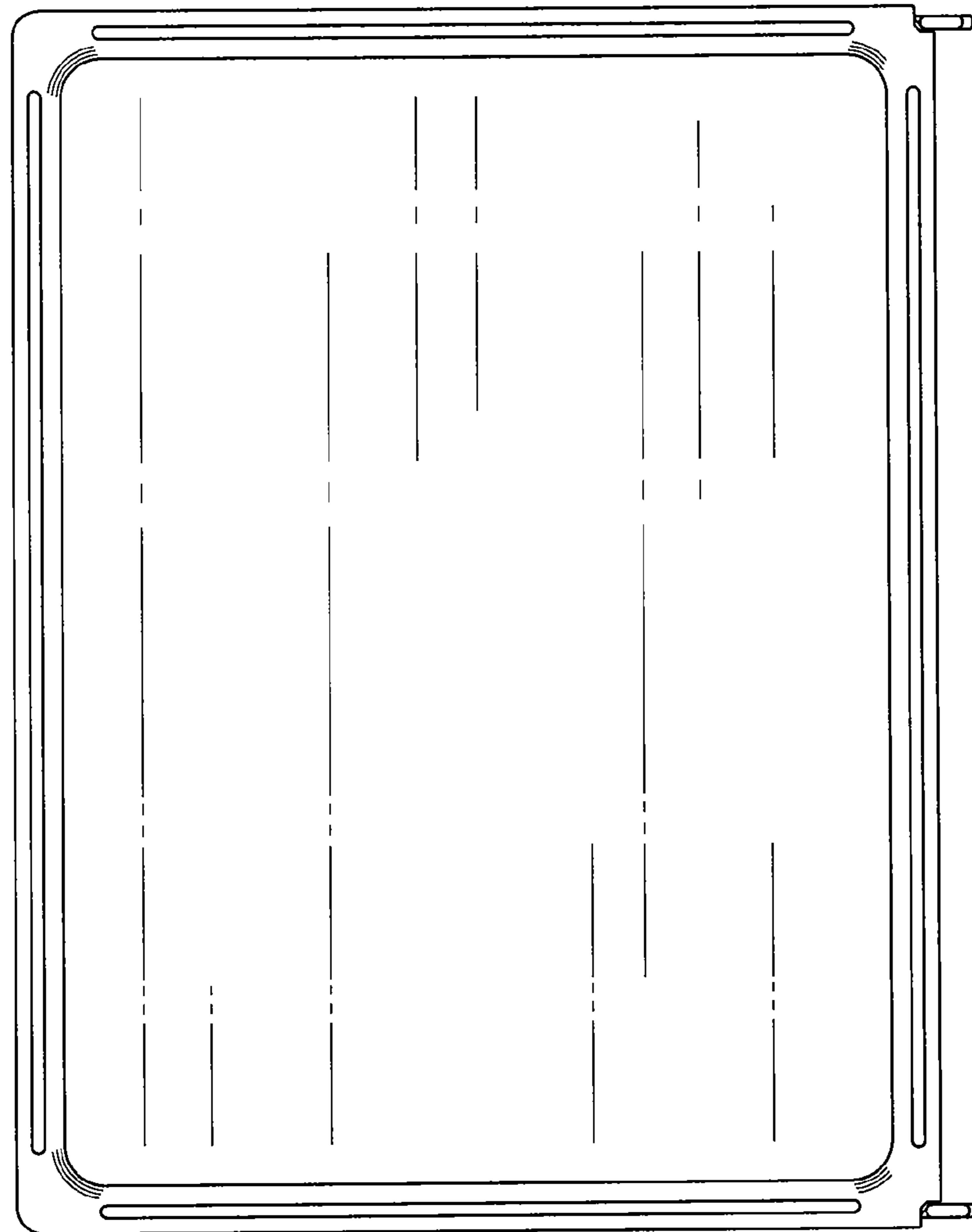


FIG. 3

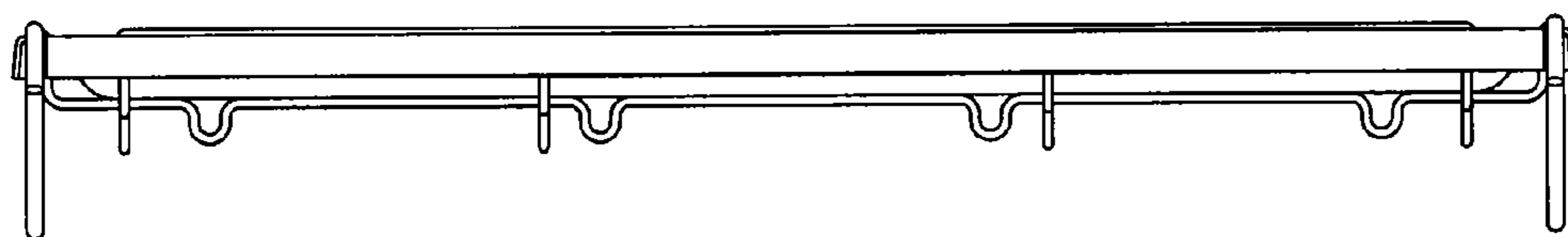


FIG. 4

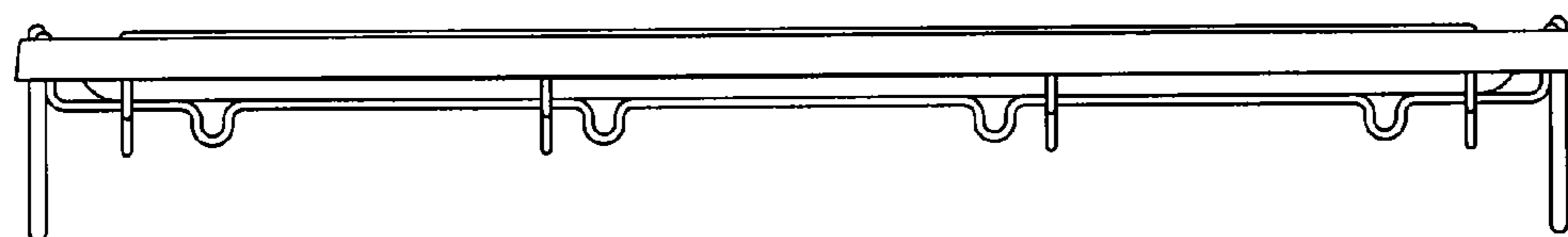


FIG. 5

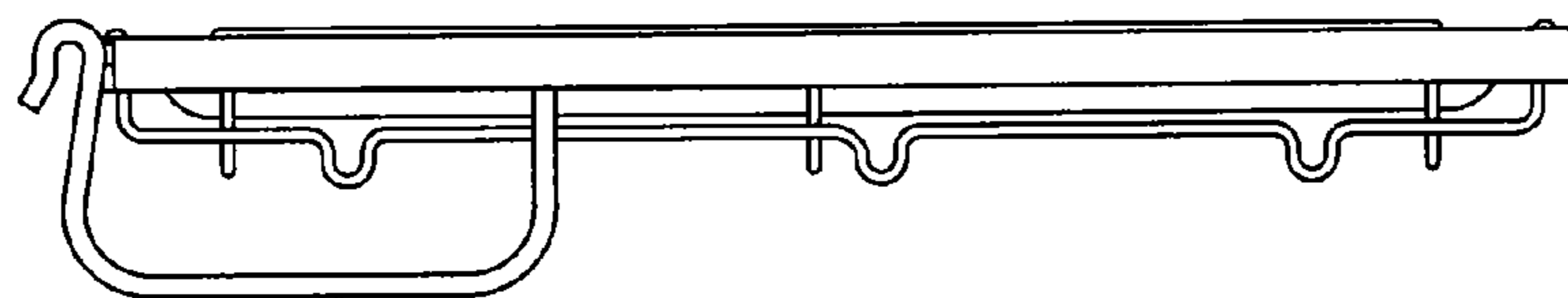


FIG. 6

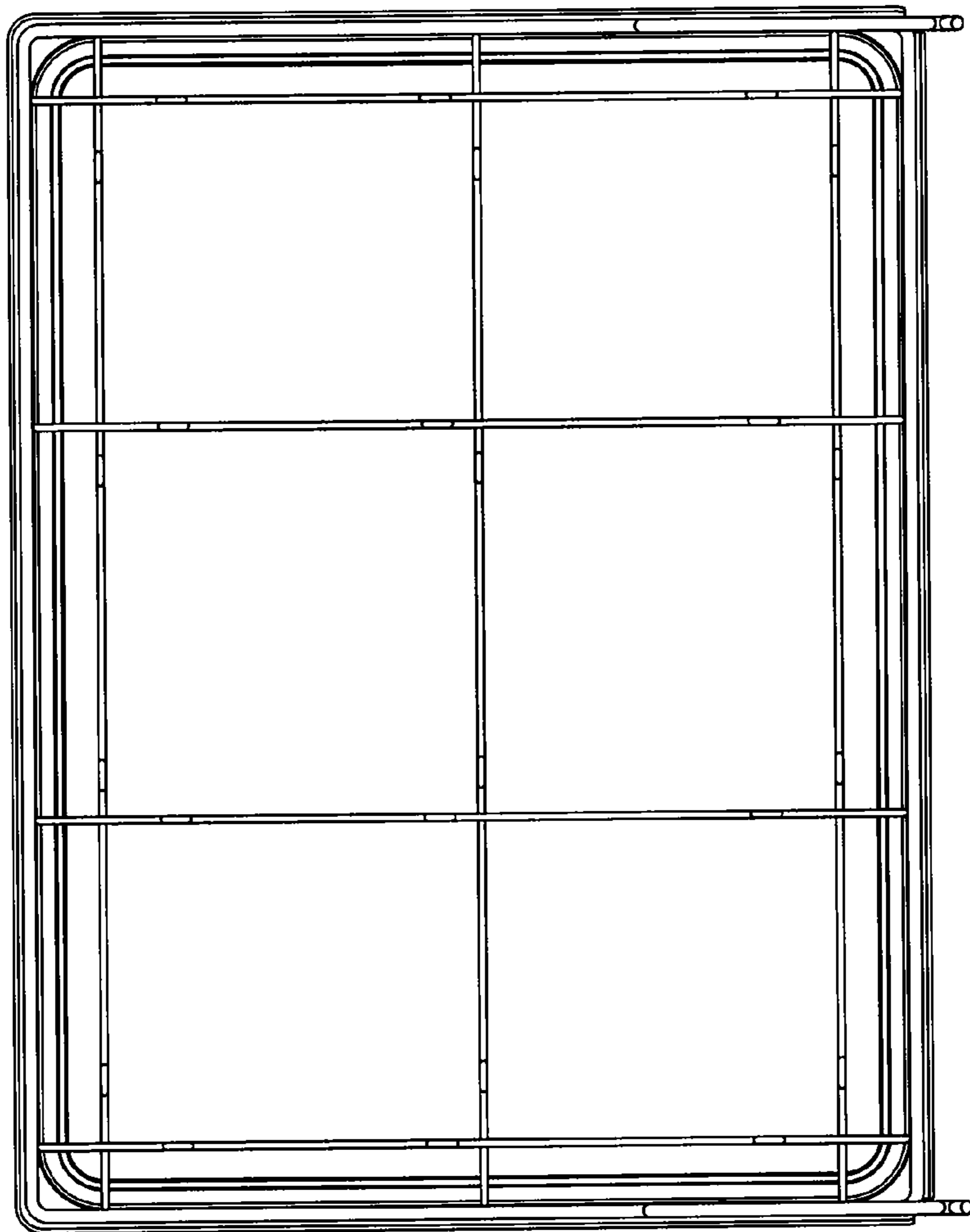


FIG. 7