



US00D674149S

(12) **United States Design Patent**
Smith

(10) **Patent No.:** **US D674,149 S**
(45) **Date of Patent:** **** Jan. 8, 2013**

- (54) **PROTECTIVE LEG PAD**
- (75) Inventor: **Peter B. Smith**, Brockport, NY (US)
- (73) Assignee: **Warrior Sports, Inc.**, Warren, MI (US)
- (**) Term: **14 Years**
- (21) Appl. No.: **29/431,526**
- (22) Filed: **Sep. 7, 2012**

6,272,682	B1 *	8/2001	Fullum	2/22
6,588,167	B2 *	7/2003	Chang	52/590.1
D540,097	S *	4/2007	Gebbia	D6/601
7,220,158	B1	5/2007	Norris		
D554,296	S	10/2007	Darche		
7,823,218	B2	11/2010	Goyer et al.		
8,161,569	B2	4/2012	Hudon et al.		
2007/0250977	A1	11/2007	Brown et al.		

* cited by examiner

Primary Examiner — Raphael Barkai
Assistant Examiner — Randall Gholson
 (74) *Attorney, Agent, or Firm* — Warner Norcross & Judd LLP

Related U.S. Application Data

- (62) Division of application No. 29/393,542, filed on Jun. 6, 2011, now Pat. No. Des. 669,228.
- (51) **LOC (9) Cl.** **29-02**
- (52) **U.S. Cl.** **D29/120.1**
- (58) **Field of Classification Search** D29/100, D29/101.1, 101.2, 101.3, 101.4, 101.5, 120.1, D29/120.2, 121.1, 121.2, 122; D2/858, 712, D2/901; D24/189, 190; 2/16, 20-24, 62, 2/267, 455, 459, 461-468, 910, 911; 602/3, 602/5, 6, 16, 23, 26
See application file for complete search history.

(57) **CLAIM**

The ornamental design for protective leg pad, as shown and described.

DESCRIPTION

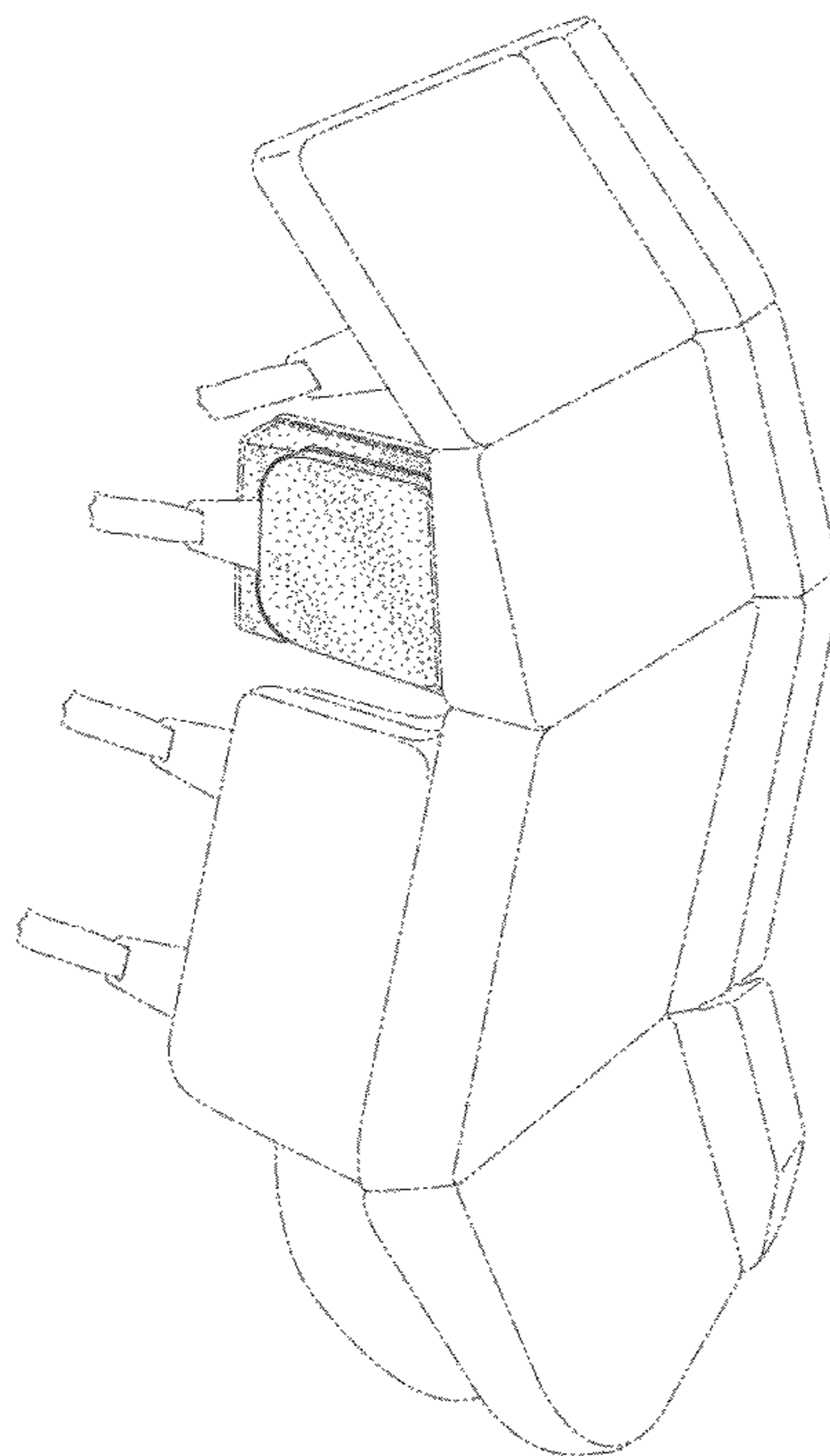
FIG. 1 is a perspective view of the protective leg pad embodying a first embodiment of the new design;
 FIG. 2 is a side view thereof;
 FIG. 3 is a top view thereof;
 FIG. 4 is a bottom view thereof; and,
 FIG. 5 is a rear view thereof.
 FIGS. 1-5 show features of a protective leg pad in phantom lines. These features are shown for environmental purposes and do not form any part of the claimed design. Further, the phantom lines immediately adjacent the solid-line portions of the design form the boundary of the design, with the phantom lines forming no part of the claimed design.

1 Claim, 2 Drawing Sheets

(56) **References Cited**

U.S. PATENT DOCUMENTS

3,323,151	A	6/1967	Lerman		
4,346,525	A	8/1982	Larsen et al.		
4,868,926	A	9/1989	Lowson		
5,093,931	A	3/1992	LaBerge et al.		
5,328,652	A	7/1994	Thomson		
5,711,029	A	1/1998	Visco et al.		
5,802,642	A *	9/1998	Slaughter	5/656
5,924,140	A	7/1999	Chi		



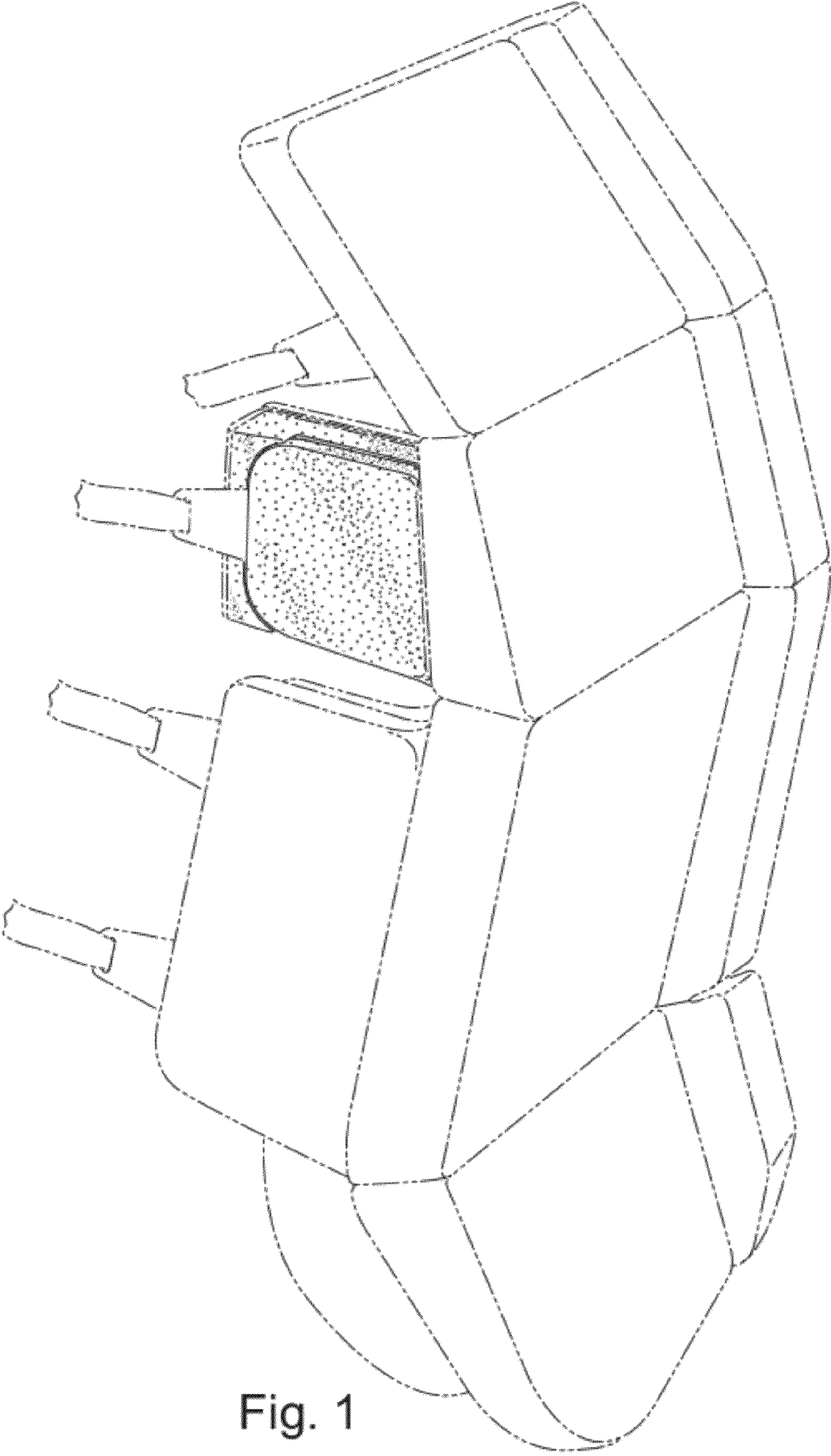


Fig. 1

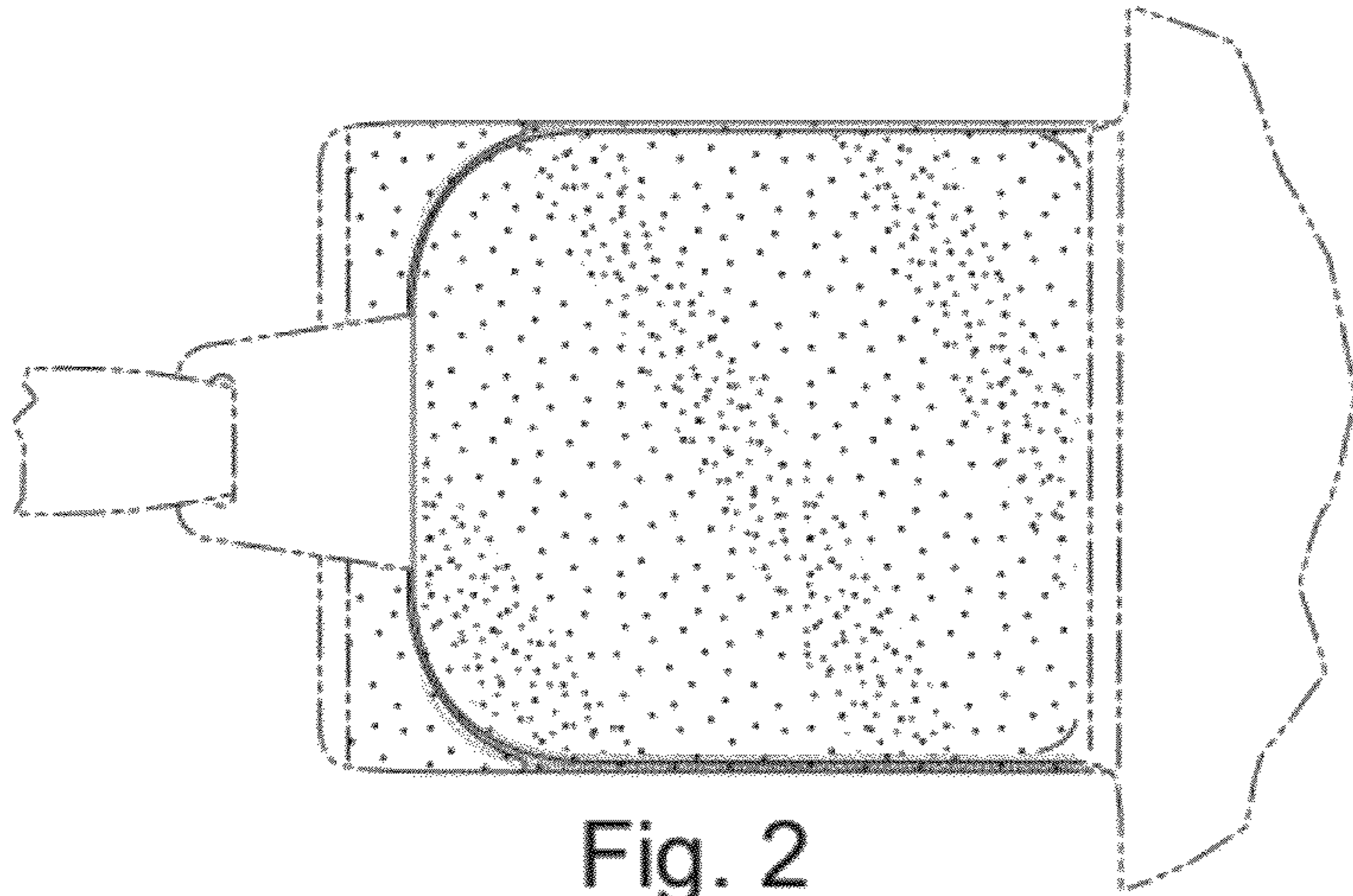


Fig. 2

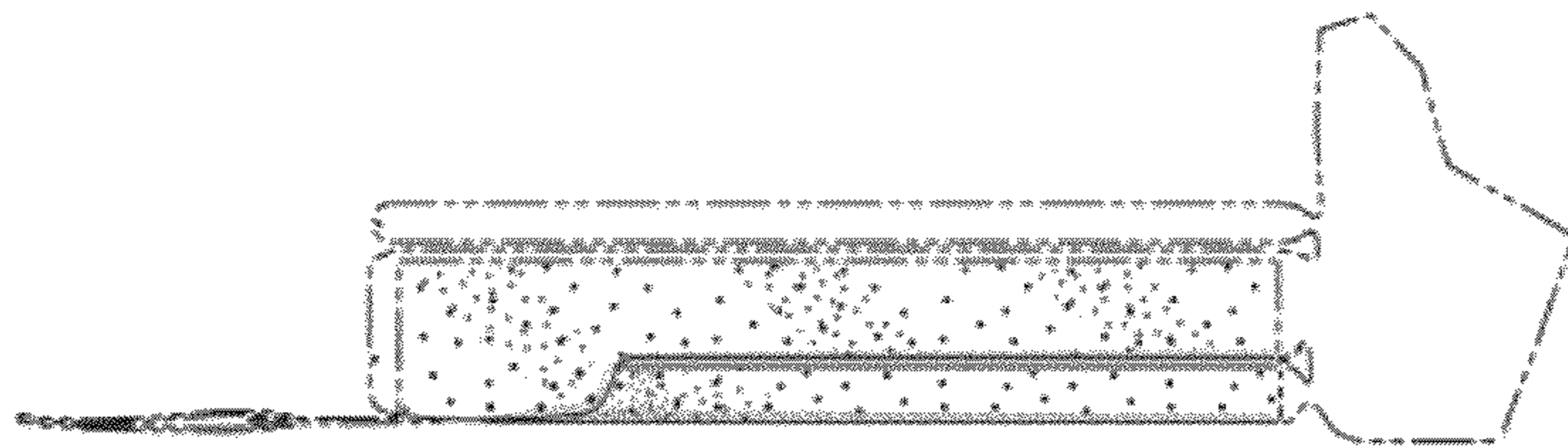


Fig. 3



Fig. 5

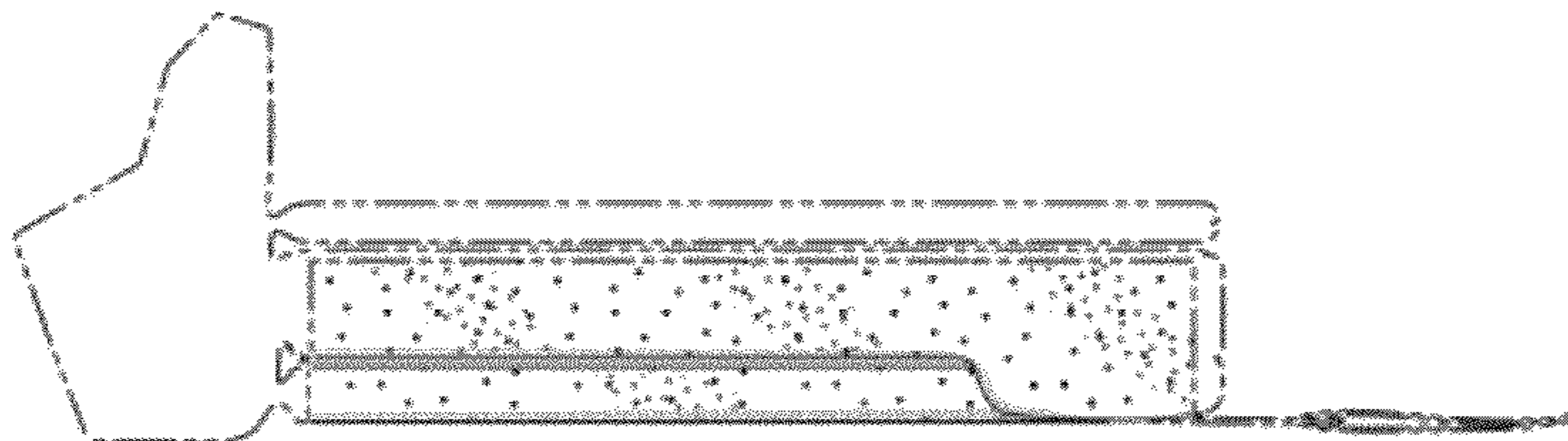


Fig. 4