



US00D674146S

(12) **United States Design Patent**
Bae

(10) **Patent No.:** **US D674,146 S**

(45) **Date of Patent:** **** Jan. 8, 2013**

(54) **COSMETIC POWDER RECEPTACLE**

(75) **Inventor:** **Hae Dong Bae, Anyang (KR)**

(73) **Assignee:** **Taesung Industrial Co., Ltd., Anyang, Kyoungki-do (KR)**

(**) **Term:** **14 Years**

(21) **Appl. No.:** **29/377,350**

(22) **Filed:** **Oct. 20, 2010**

(30) **Foreign Application Priority Data**

Apr. 27, 2010 (KR) 30-2010-0018568

(51) **LOC (9) Cl.** **28-03**

(52) **U.S. Cl.** **D28/76; D28/91; D9/504; D9/529**

(58) **Field of Classification Search** D28/73, D28/76, 85-91; D9/503-505, 529, 549, D9/539, 556; 132/293-299; 206/823, 581; 215/379-385; 220/660, 662-673, 675

See application file for complete search history.

(56) **References Cited**

U.S. PATENT DOCUMENTS

D16,188 S *	7/1885	Worden	D9/504
D229,120 S *	11/1973	Bell	D28/77
D272,888 S *	3/1984	Wells	D9/504
D354,915 S *	1/1995	Schneider et al.	D9/504
D399,658 S *	10/1998	Nosella	D9/503
D403,469 S *	12/1998	Driscoll	D28/76
D426,410 S *	6/2000	De Laforcade	D28/76
D459,551 S *	6/2002	Hahn et al.	D28/77
D467,337 S *	12/2002	Cohen et al.	D9/504

D472,148 S *	3/2003	Dowd	D9/504
D477,535 S *	7/2003	Thorpe	D9/504
D489,620 S *	5/2004	Goodell et al.	D9/503
D519,376 S *	4/2006	Ames	D9/504
D536,177 S *	2/2007	Arnaud et al.	D28/91
D591,603 S *	5/2009	Robin-Prevallee	D9/529
D605,047 S *	12/2009	Brindfors	D9/503
D611,346 S *	3/2010	Camomile	D9/504
D648,488 S *	11/2011	Tsai	D28/87
D651,086 S *	12/2011	Gullickson et al.	D9/504
2008/0308430 A1 *	12/2008	Wojtalik et al.	220/669
2010/0288300 A1 *	11/2010	Byun	132/299
2011/0108054 A1 *	5/2011	Lee	132/299
2011/0271978 A1 *	11/2011	Bae	132/293

* cited by examiner

Primary Examiner — Jennifer Rivard

(74) *Attorney, Agent, or Firm* — Lowe Hauptman Ham & Berner, LLP

(57) **CLAIM**

The ornamental design for the cosmetic powder receptacle, as shown.

DESCRIPTION

FIG. 1 is a perspective view of a cosmetic powder receptacle showing my new design;

FIG. 2 is a front view thereof;

The rear view, the left side view and the right side view being respectively, identical to the front view.

FIG. 3 is a top plan view thereof;

FIG. 4 is a bottom plan view thereof; and,

FIG. 5 is a bottom perspective view thereof.

1 Claim, 5 Drawing Sheets

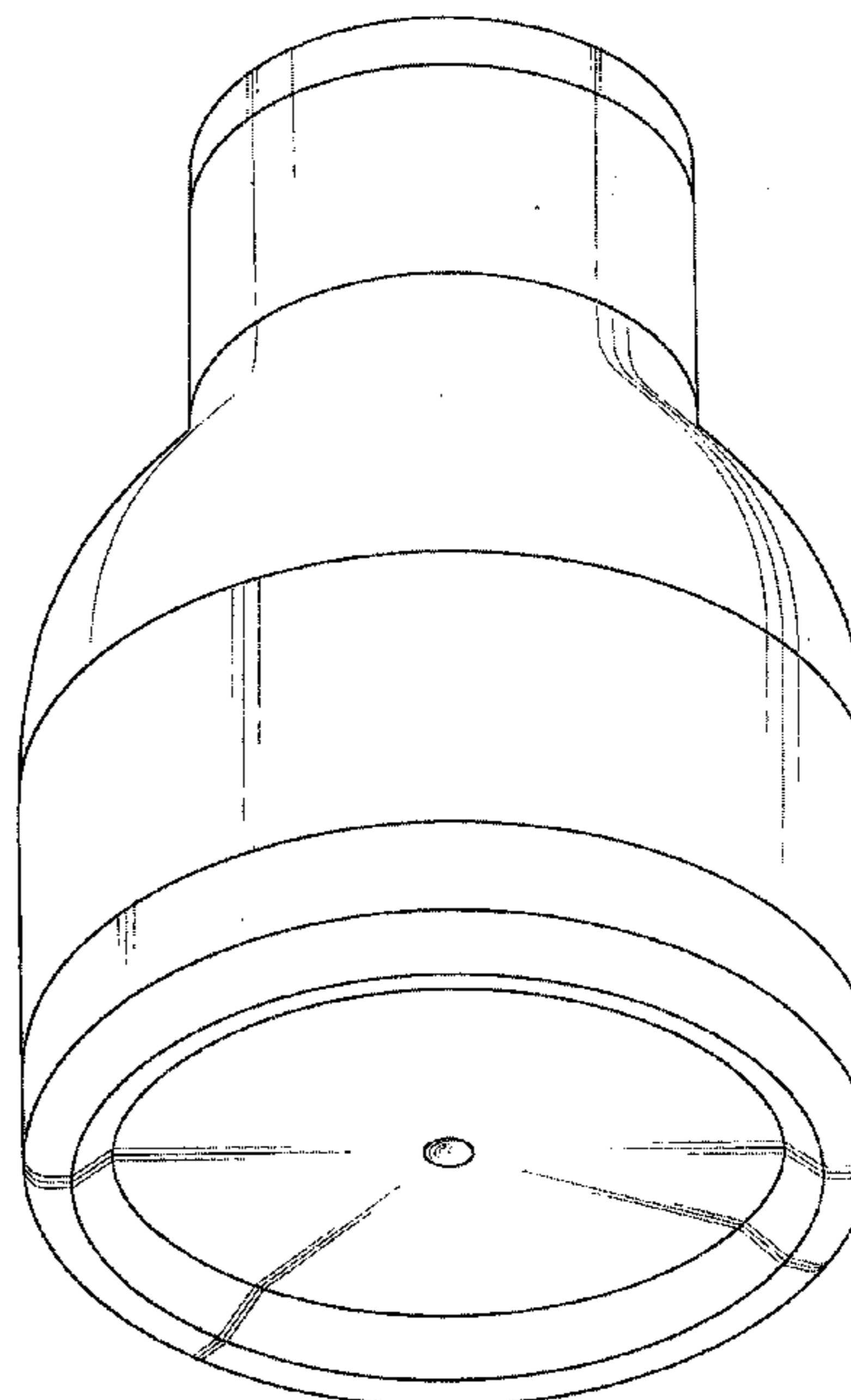
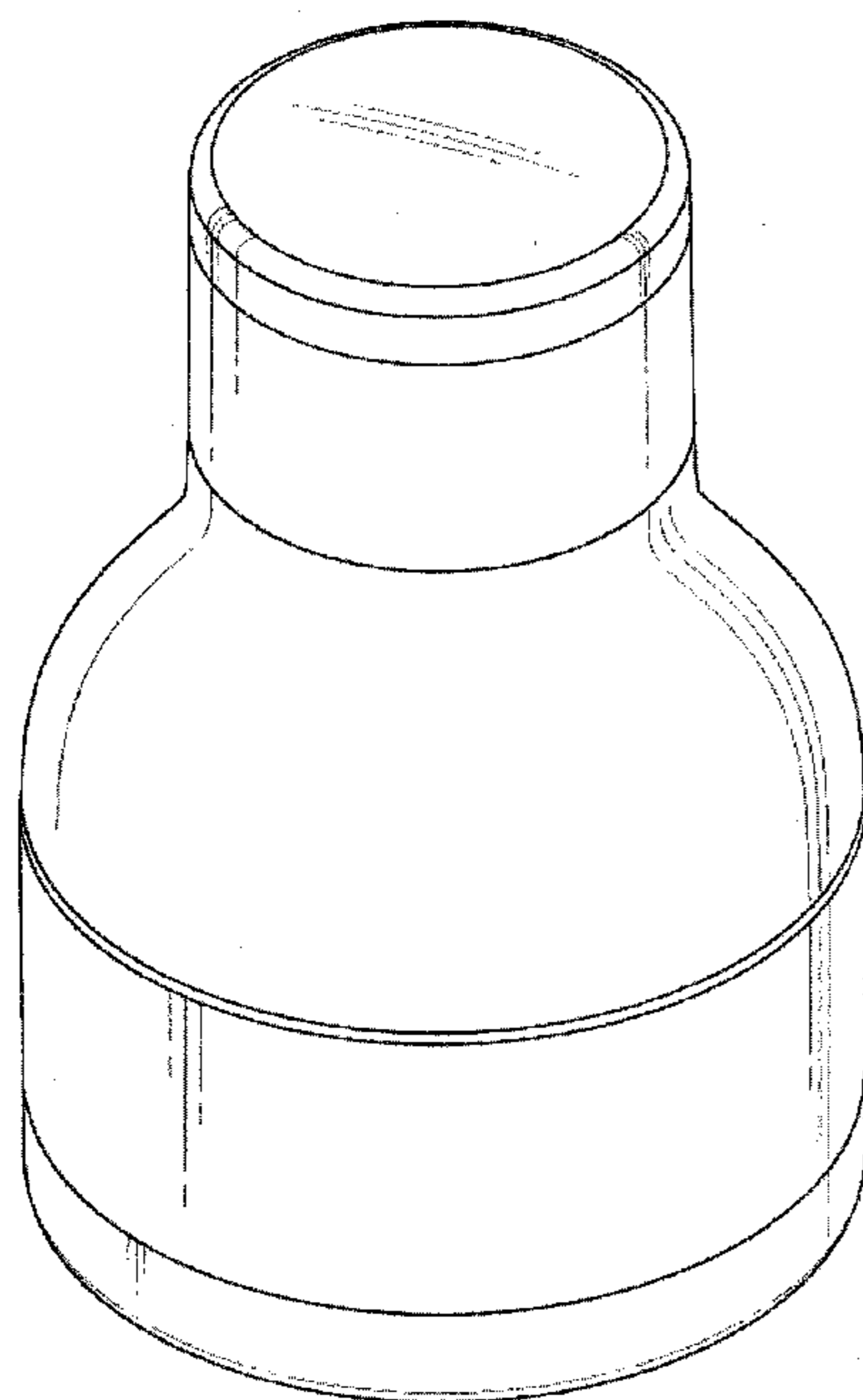


Figure 1

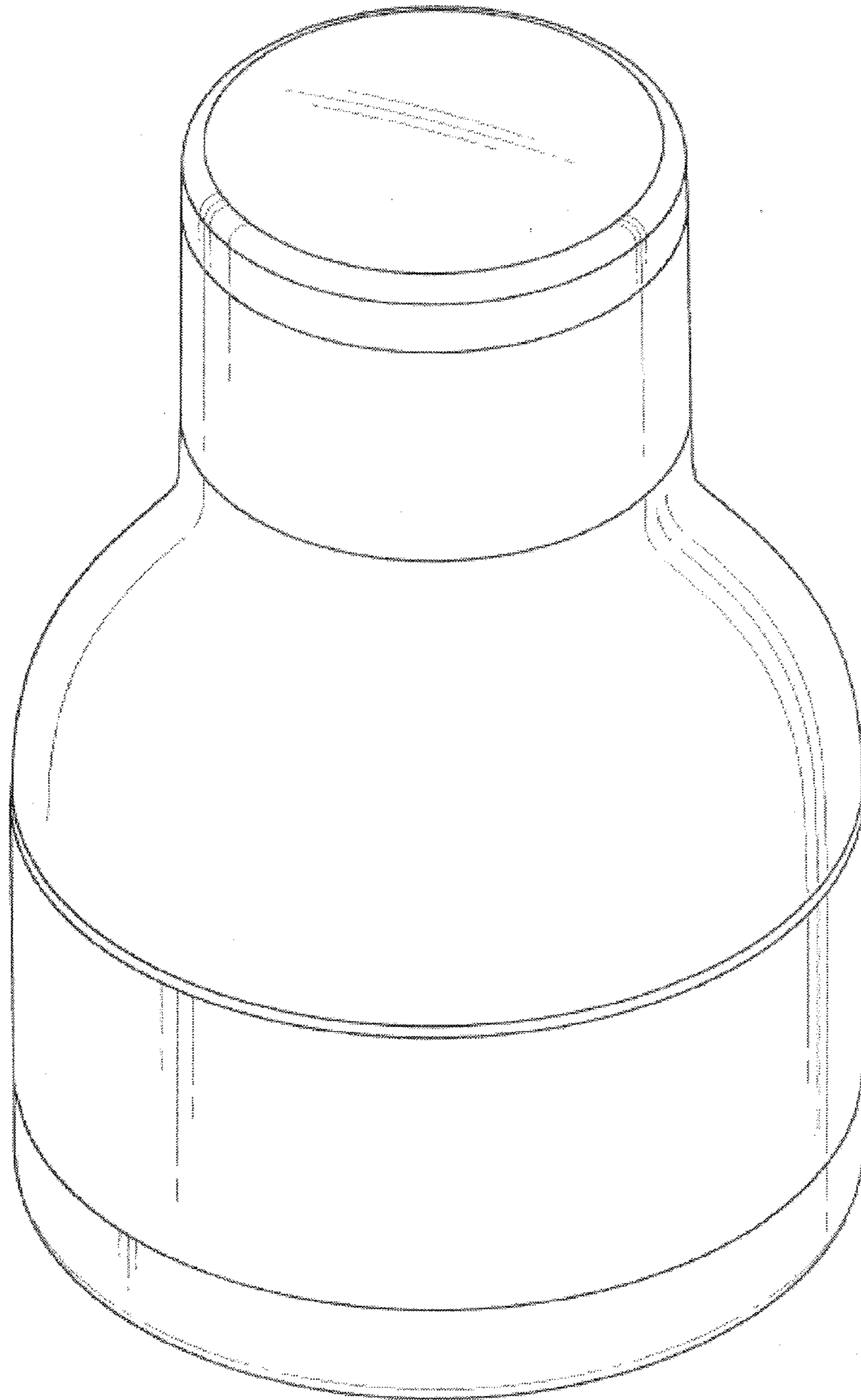


Figure 2

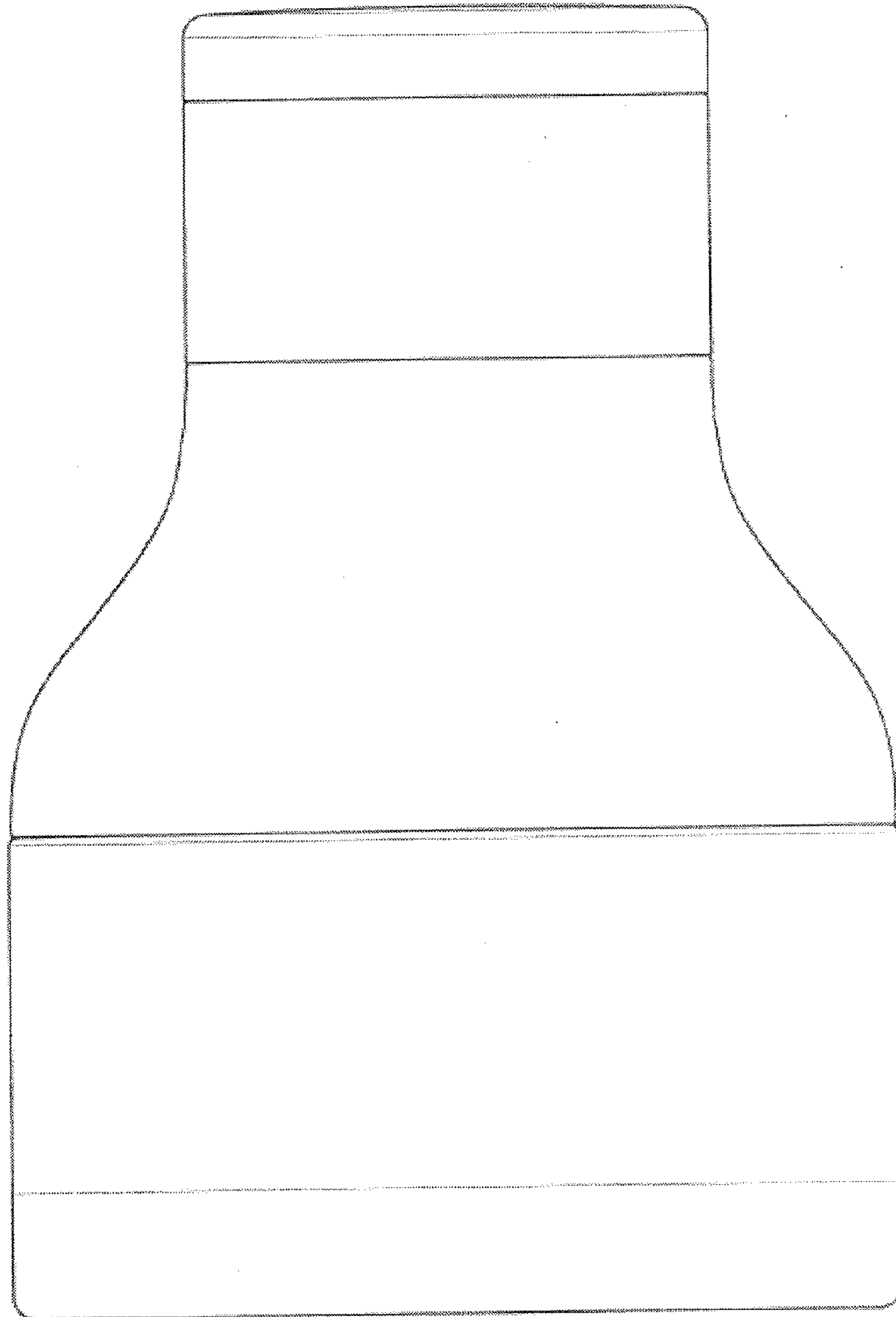


Figure 3

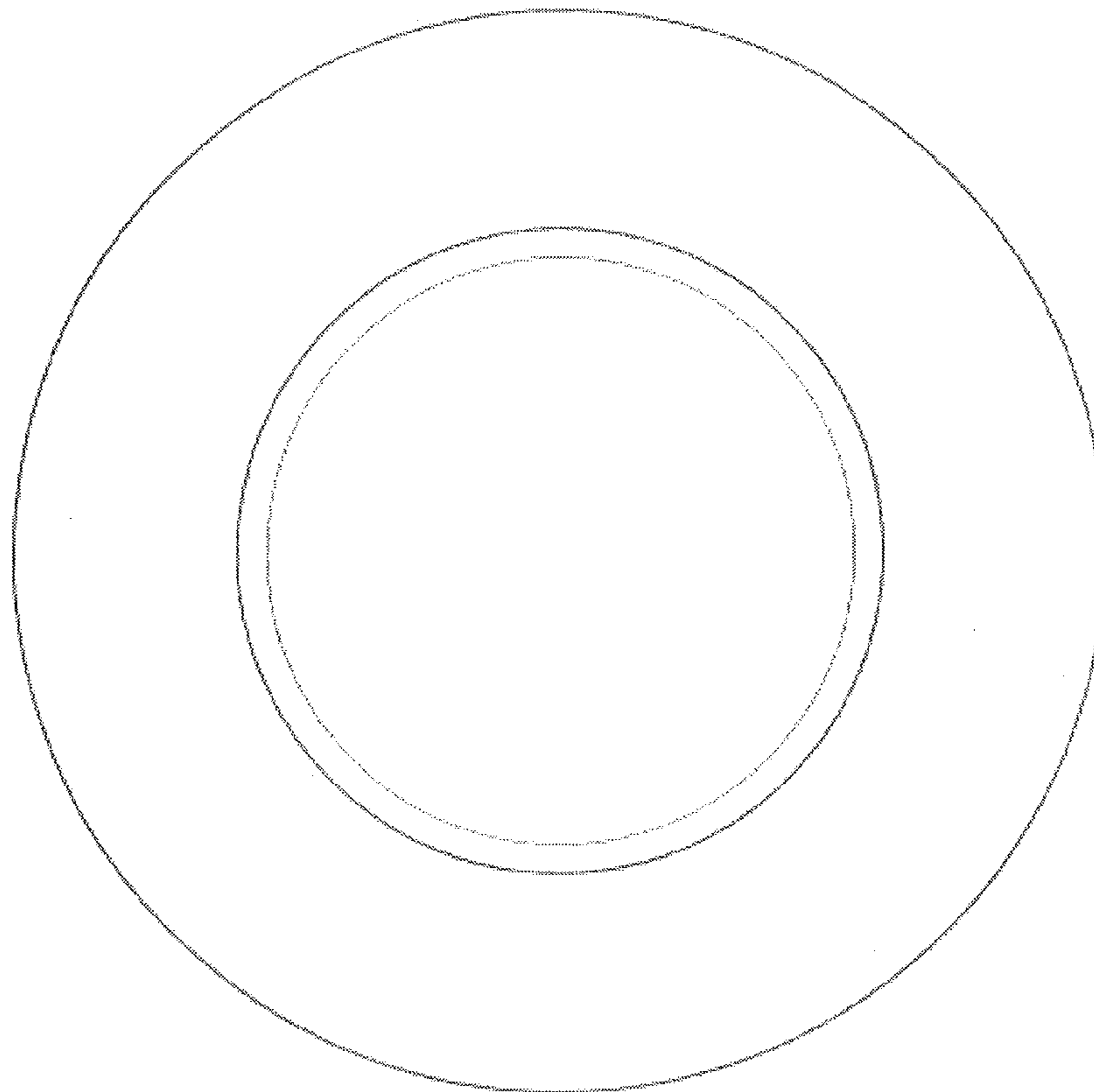


Figure 4

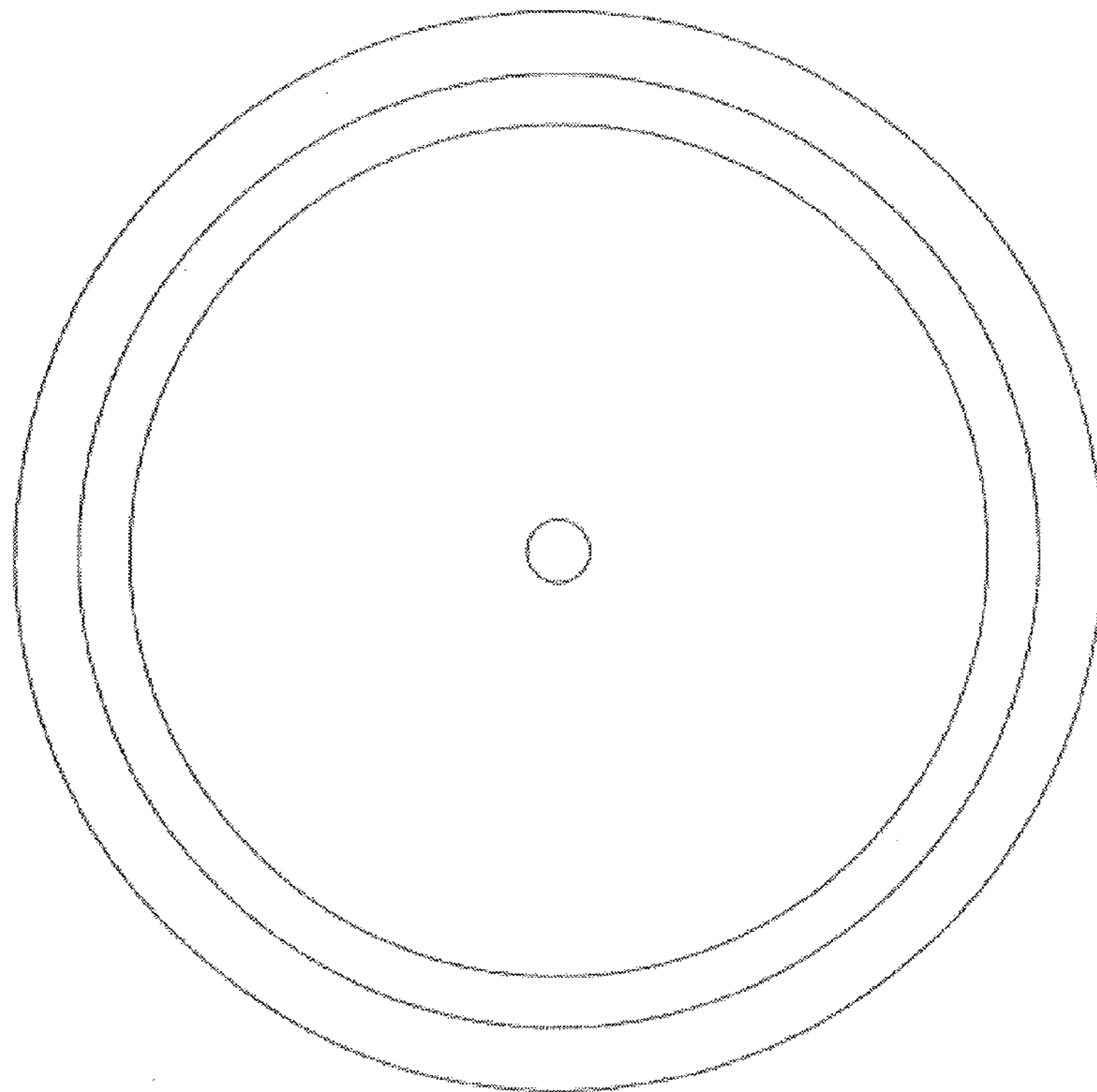


Figure 5

