



US00D674145S

(12) **United States Design Patent**  
**Ino**

(10) **Patent No.:** **US D674,145 S**  
(45) **Date of Patent:** **\*\* Jan. 8, 2013**

(54) **ELECTRIC SHAVER**

(75) Inventor: **Tomoaki Ino**, Yokohama (JP)

(73) Assignee: **Panasonic Corporation**, Kadoma-shi (JP)

(\*\*) Term: **14 Years**

(21) Appl. No.: **29/418,954**

(22) Filed: **Apr. 24, 2012**

(30) **Foreign Application Priority Data**

Oct. 25, 2011 (JP) ..... 2011-024420

(51) **LOC (9) Cl.** ..... **28-03**

(52) **U.S. Cl.** ..... **D28/51; D28/53**

(58) **Field of Classification Search** ..... D28/44,  
D28/44.1, 49-54; 30/34.05, 34.1, 34.2, 43-43.92,  
30/526, 527, 44-45, 29.5, 341, 195-223,  
30/272.1, 226-227, 231, 233-233.5

See application file for complete search history.

(56) **References Cited**

**U.S. PATENT DOCUMENTS**

|                   |         |                |       |         |
|-------------------|---------|----------------|-------|---------|
| D400,301 S *      | 10/1998 | Wong           | ..... | D28/45  |
| D400,303 S *      | 10/1998 | Tanaka et al.  | ..... | D28/49  |
| D497,035 S *      | 10/2004 | Khubani        | ..... | D28/53  |
| D509,626 S *      | 9/2005  | Yiu            | ..... | D28/54  |
| D561,941 S *      | 2/2008  | Khubani        | ..... | D28/53  |
| D569,552 S *      | 5/2008  | Marquez        | ..... | D28/53  |
| D620,644 S *      | 7/2010  | Lau et al.     | ..... | D28/54  |
| D634,067 S *      | 3/2011  | Stowers et al. | ..... | D28/53  |
| D634,069 S *      | 3/2011  | Stowers et al. | ..... | D28/54  |
| 2011/0010942 A1 * | 1/2011  | Lau            | ..... | 30/29.5 |

\* cited by examiner

*Primary Examiner* — Jennifer Rivard

(74) *Attorney, Agent, or Firm* — Marvin A. Motsenbocker; Mots Law, PLLC

(57) **CLAIM**

The ornamental design for an electric shaver, as shown and described.

**DESCRIPTION**

FIG. 1 is a front perspective view of an electric shaver with a cap;

FIG. 2 is a front view thereof;

FIG. 3 is a right side view thereof;

FIG. 4 is a top plan view thereof;

FIG. 5 is a rear view thereof;

FIG. 6 is a left side view thereof;

FIG. 7 is a bottom plan view thereof; and

FIG. 8 is a front perspective view thereof without the cap;

FIG. 9 is a front view thereof;

FIG. 10 is a right side view thereof;

FIG. 11 is a top plan view thereof;

FIG. 12 is a rear view thereof;

FIG. 13 is a left side view thereof;

FIG. 14 is a bottom plan view thereof;

FIG. 15 is an enlarged view thereof taken between lines 15-15 in FIG. 9;

FIG. 16 is an enlarged view thereof taken between lines 16-16 in FIG. 10; and,

FIG. 17 is an enlarged sectional view thereof taken along line 17-17 in FIG. 15, in which the internal components are omitted.

The portions of the article in broken lines are shown for illustrative purposes only and form no part of the claimed design.

The cap has been omitted from the disclosure in FIGS. 8-17 for convenience of illustration.

**1 Claim, 17 Drawing Sheets**

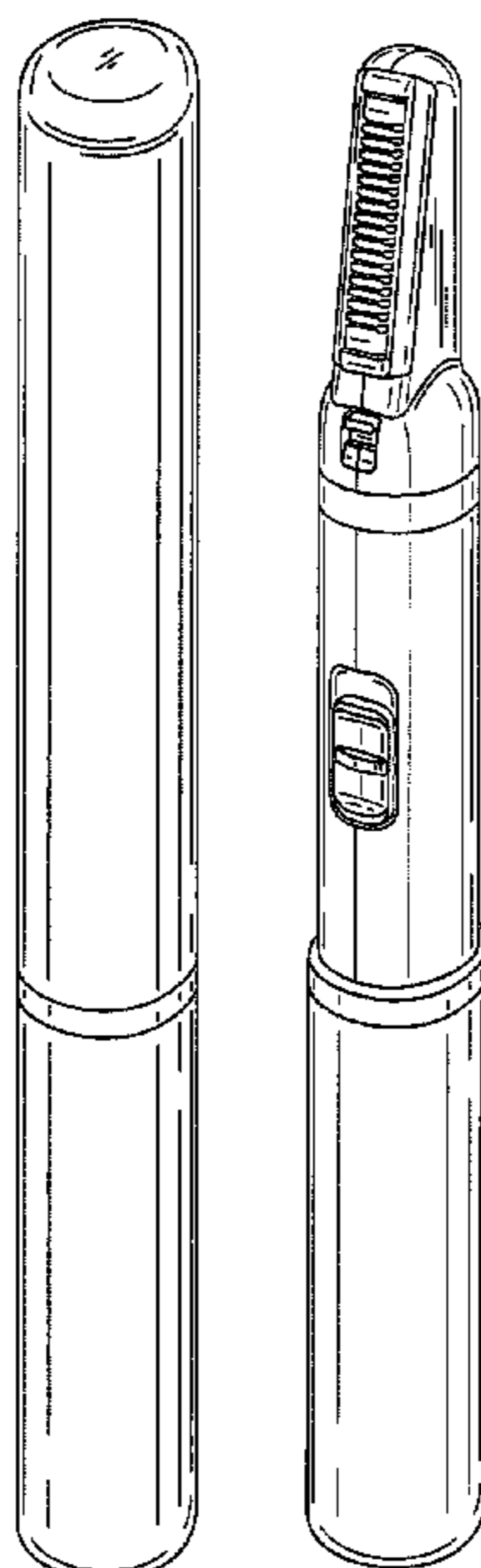


Fig. 1

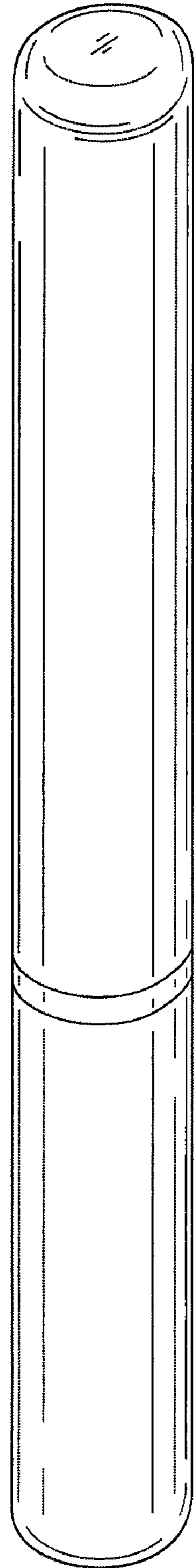


Fig.2

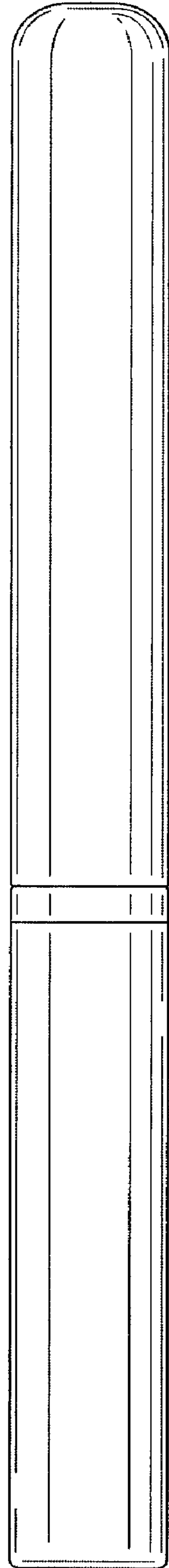
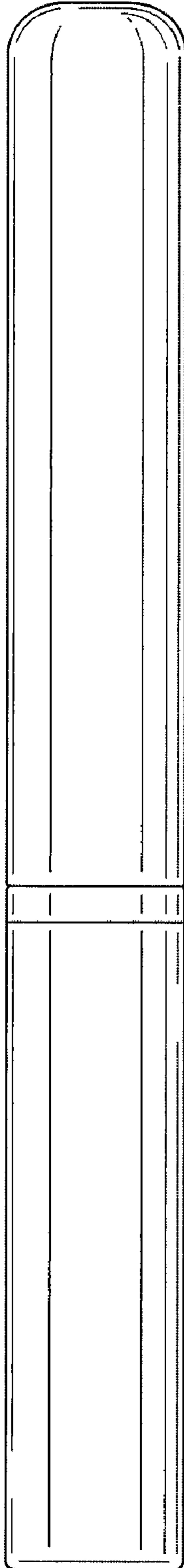


Fig.3



# Fig.4

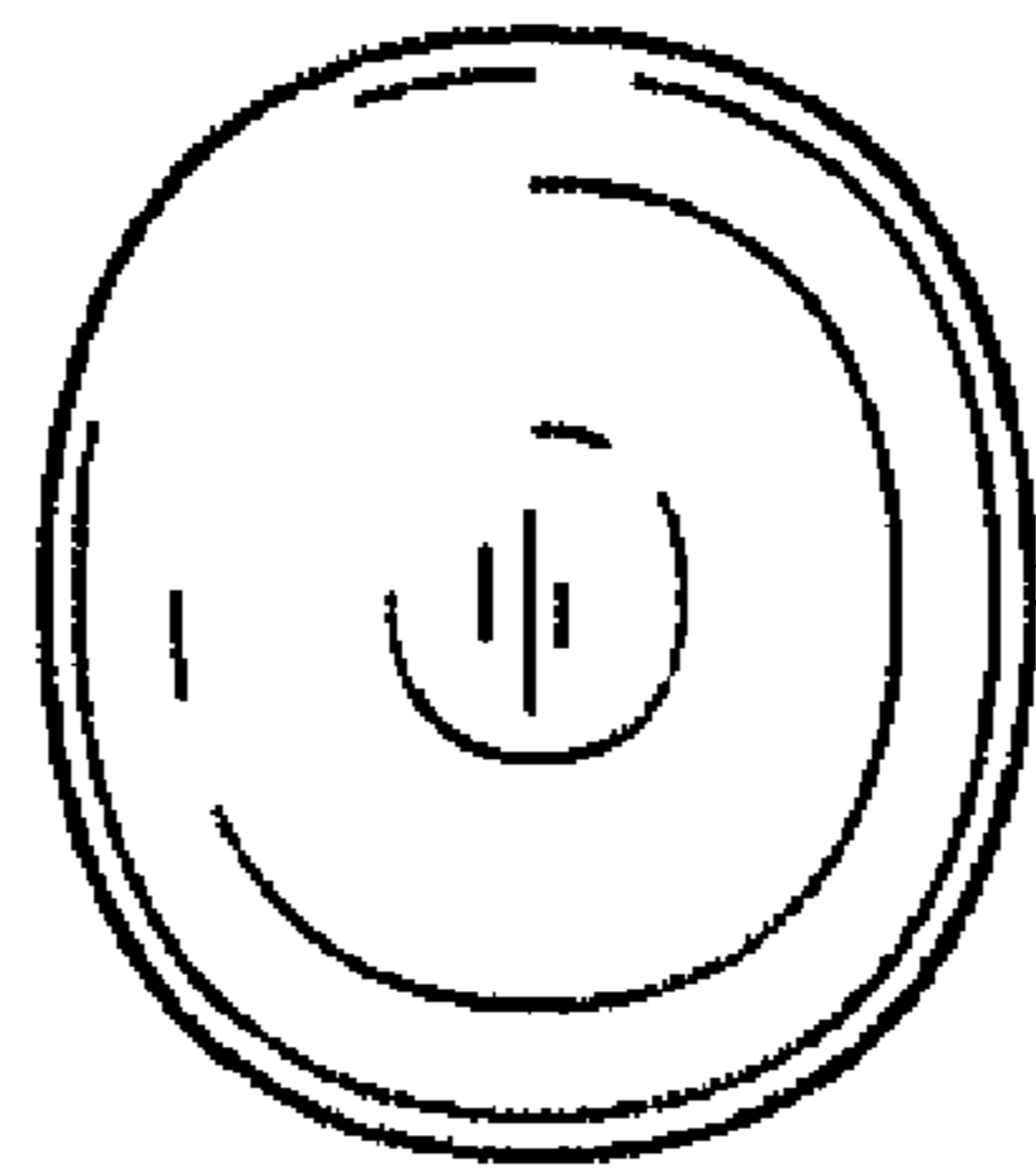


Fig.5

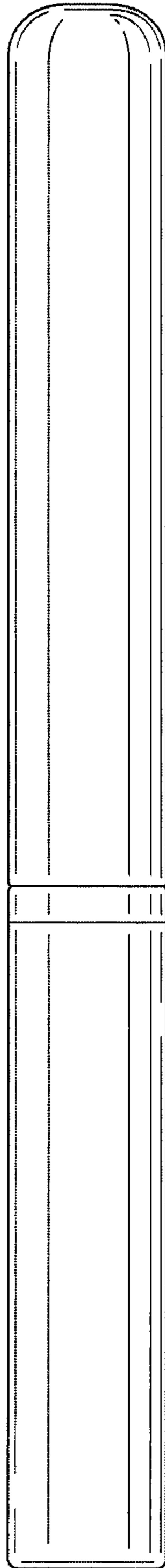
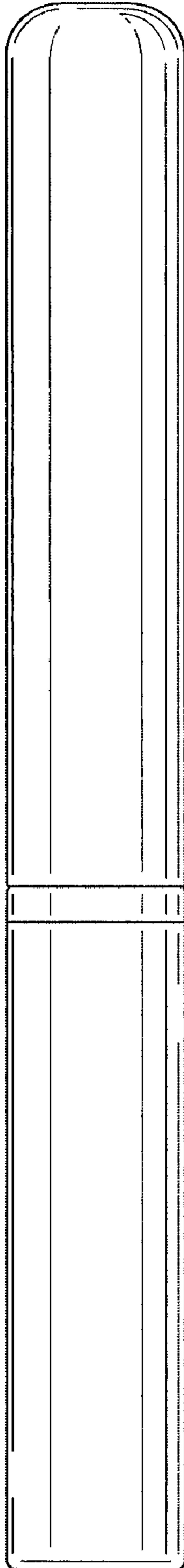


Fig.6



# Fig. 7

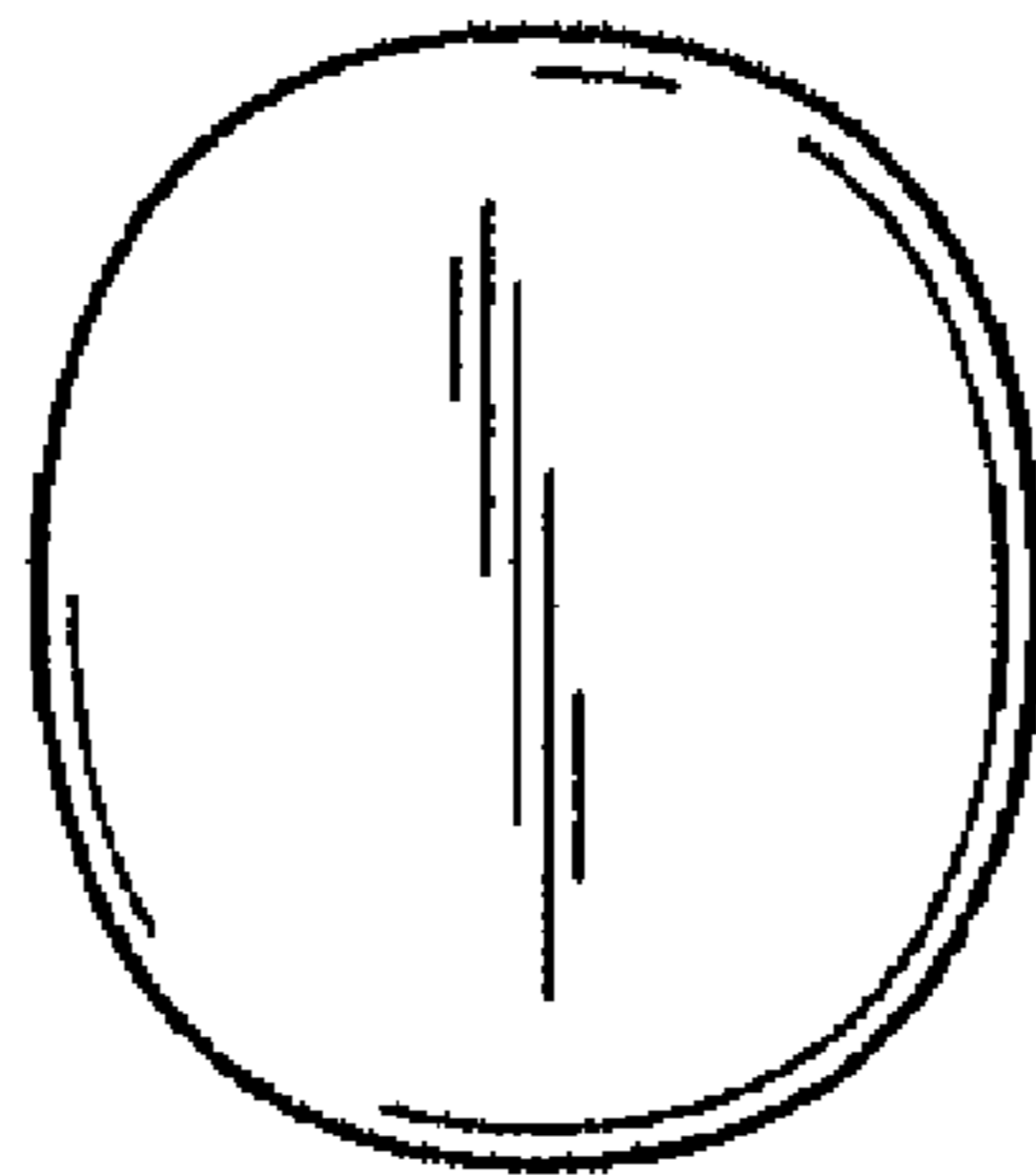




Fig.8

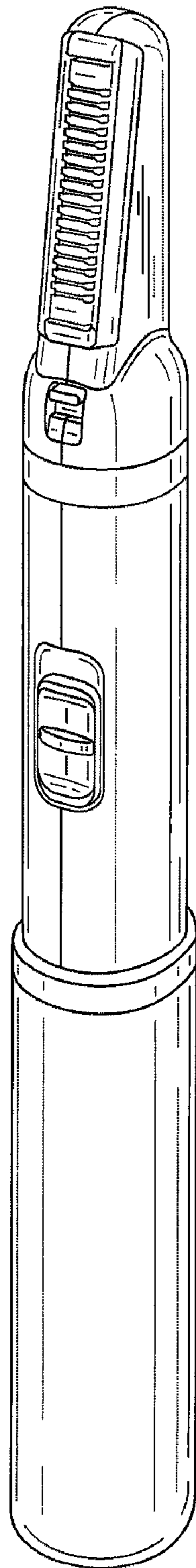


Fig.9

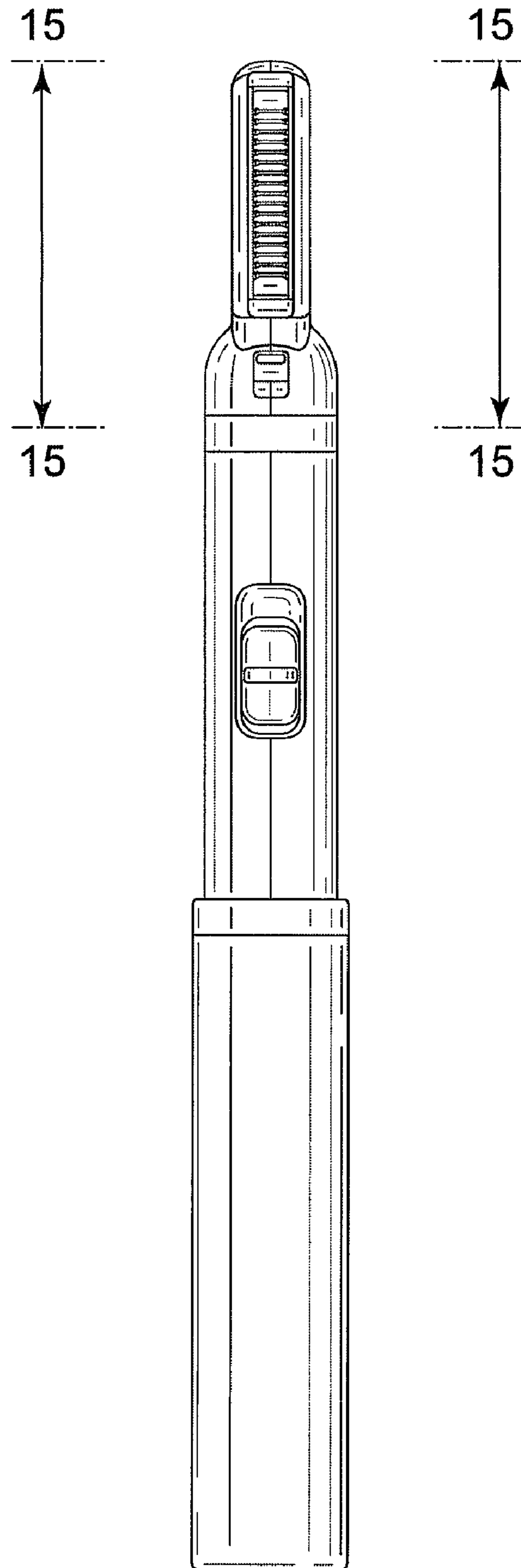
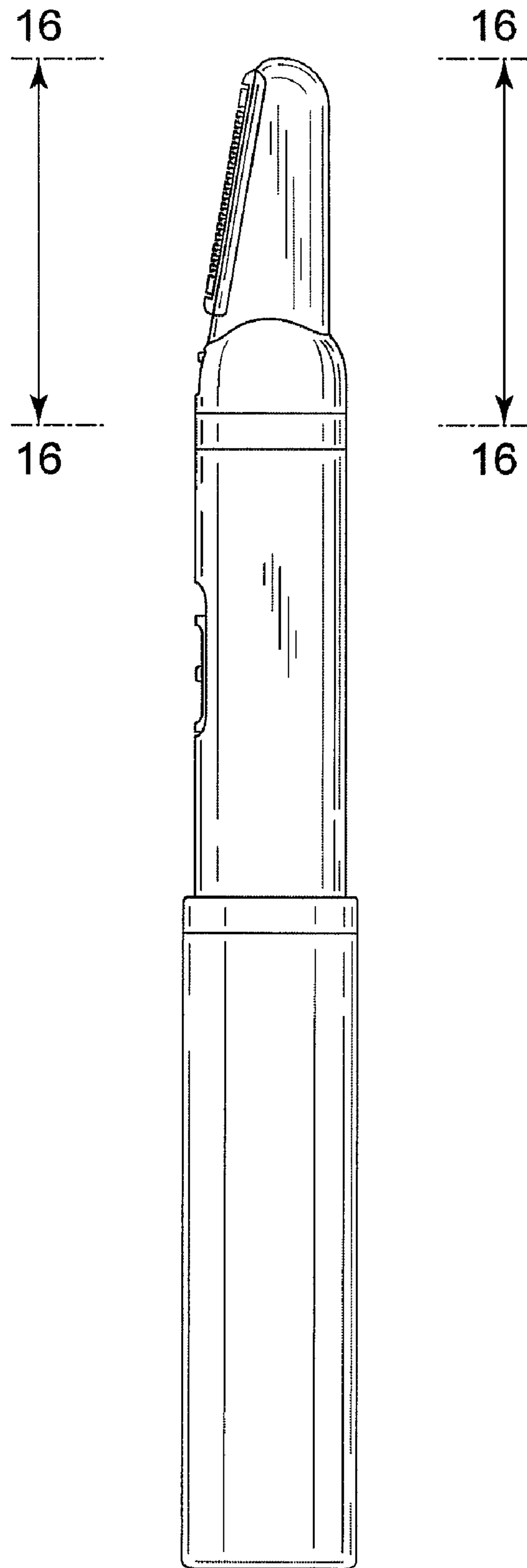


Fig.10



# Fig. 11

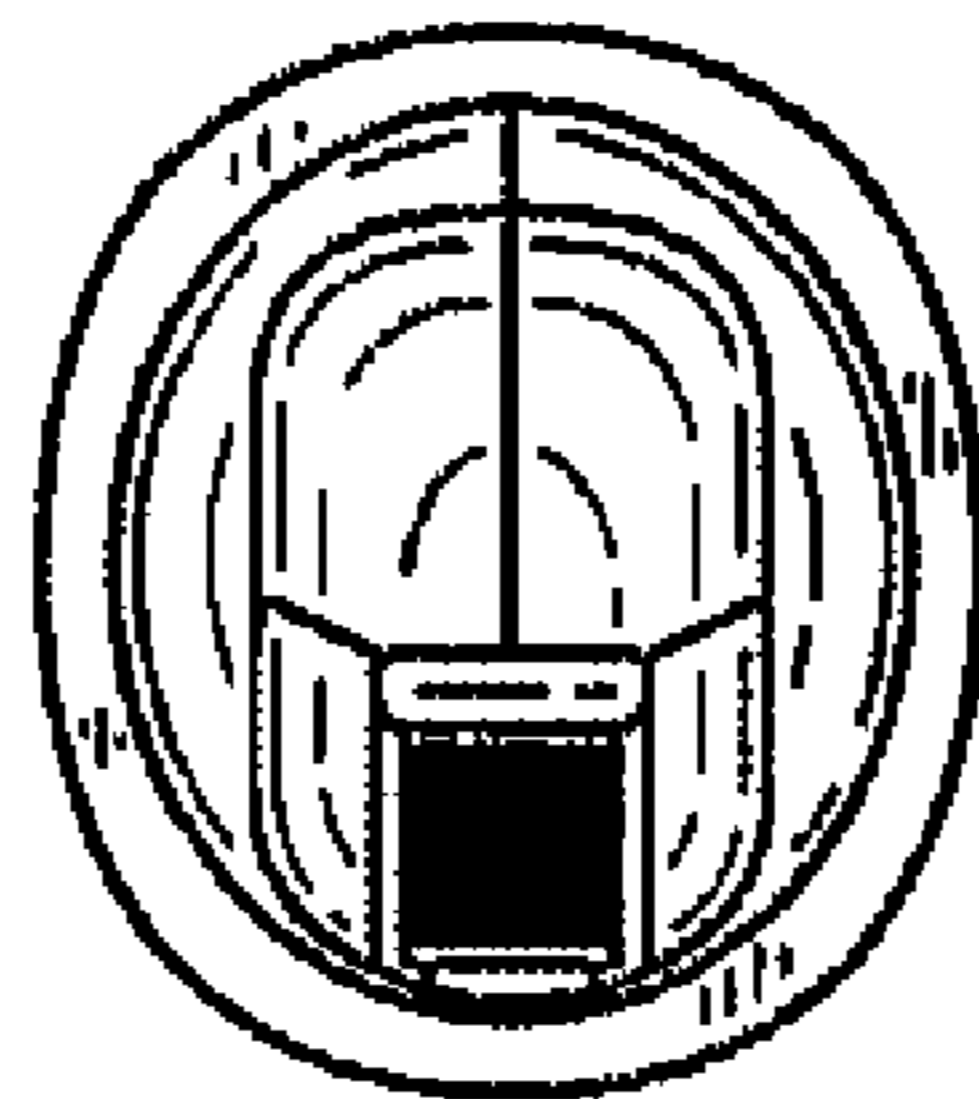


Fig. 12

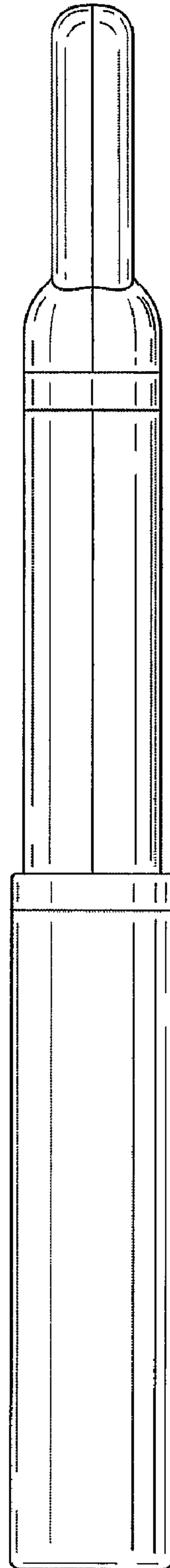
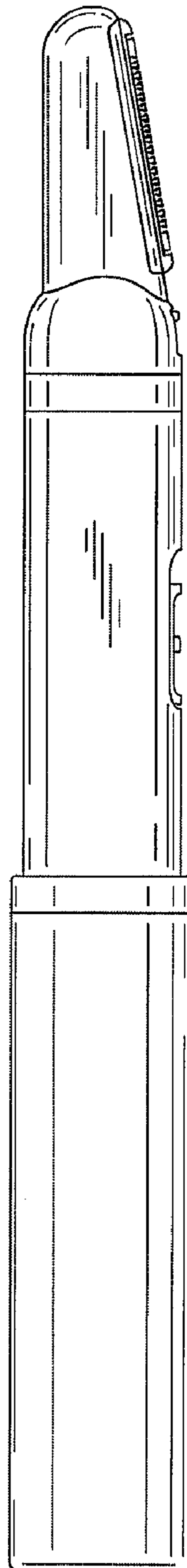


Fig. 13



# Fig. 14

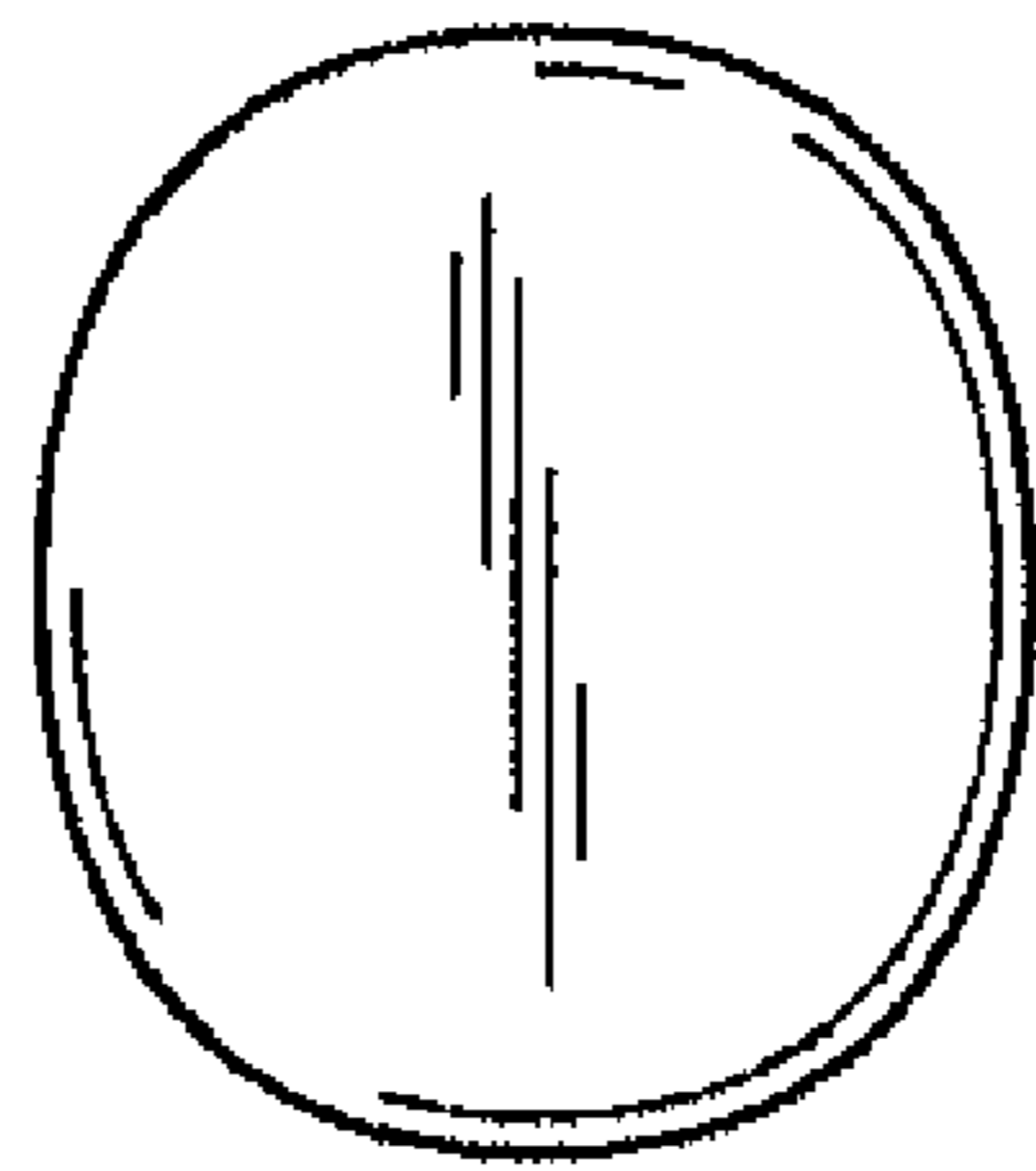
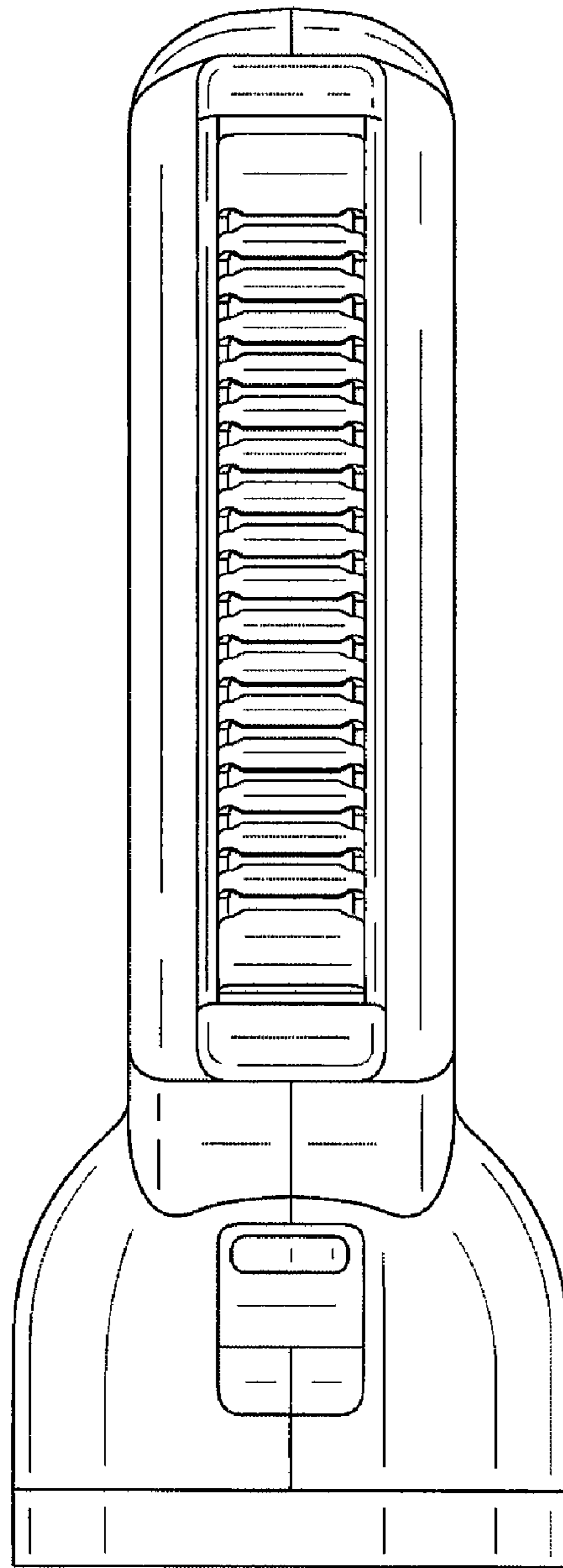


Fig. 15

17 ←



17 ←



Fig. 16

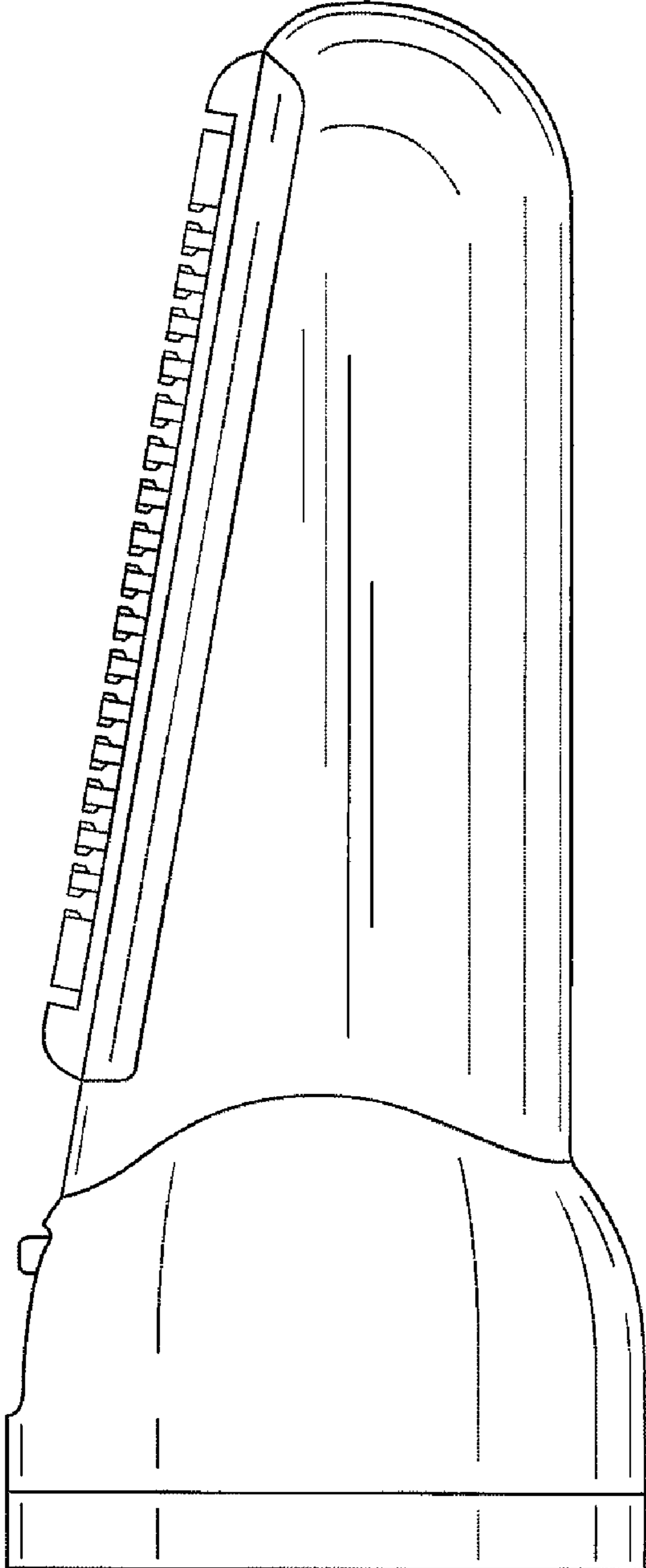


Fig.17

