

US00D674142S

(12) **United States Design Patent**
Watson et al.

(10) **Patent No.:** **US D674,142 S**
(45) **Date of Patent:** **** Jan. 8, 2013**

- (54) **PORTION OF A SHAVING RAZOR**
- (75) Inventors: **Brian Patrick Watson**, Albion, RI (US);
Christopher Ramm, North Attleboro,
MA (US)
- (73) Assignee: **The Gillette Company**, Boston, MA
(US)
- (**) Term: **14 Years**
- (21) Appl. No.: **29/432,395**
- (22) Filed: **Sep. 14, 2012**

D657,092 S 4/2012 Watson et al.
 D664,714 S * 7/2012 Christie et al. D28/48
 D668,816 S * 10/2012 Psimadas et al. D28/48

OTHER PUBLICATIONS

Schick Quattro for Women Disposable Razor, "For Her," <http://www.brandpower.com/aus/spotlight.asp?id=817> (under "For Her" Tab) (accessed on Dec. 8, 2010) (1 page).
 Schick Quattro Titanium for Men Disposable Razor, "For Him," <http://www.brandpower.com/aus/spotlight.asp?id=817> (under "For Him" Tab) (accessed on Dec. 8, 2010) (1 page).

* cited by examiner

Primary Examiner — Jennifer Rivard
 (74) *Attorney, Agent, or Firm* — Kevin C. Johnson; Steven W. Miller

Related U.S. Application Data

- (62) Division of application No. 29/411,680, filed on Jan. 25, 2012, now Pat. No. Des. 670,028.
- (51) **LOC (9) Cl.** **28-03**
- (52) **U.S. Cl.** **D28/47**
- (58) **Field of Classification Search** D28/44,
D28/44.1-48; 30/32, 34.05, 34.1, 34.2, 43,
30/42, 44-61, 77-84, 526-538
See application file for complete search history.

(57) **CLAIM**

The ornamental design for a portion of a shaving razor, as shown and described.

DESCRIPTION

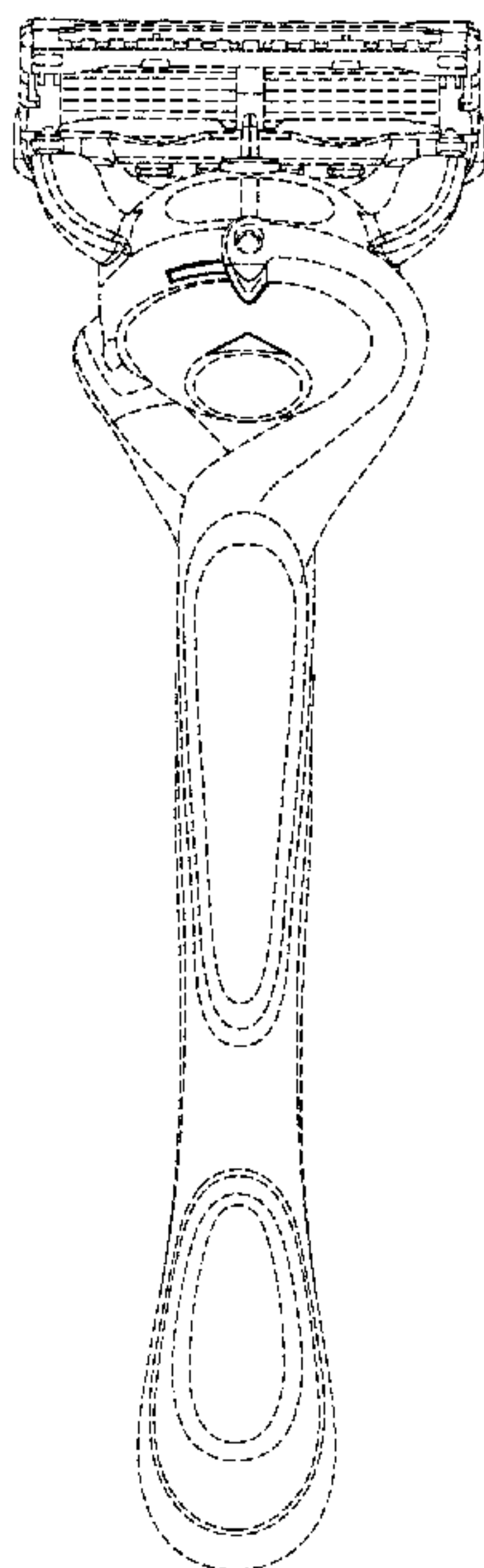
FIG. 1 is a perspective view of a portion of a shaving razor of the present invention;
 FIG. 2 is a top view thereof;
 FIG. 3 is a bottom view thereof;
 FIG. 4 is a right view thereof;
 FIG. 5 is a left view thereof;
 FIG. 6 is a front view thereof; and,
 FIG. 7 is a rear view thereof.
 The broken lines connecting the solid contour lines represent the bounds of the claim. The remaining broken lines illustrate the environment. None of the broken lines forms part of the claimed design.

(56) **References Cited**

U.S. PATENT DOCUMENTS

D534,688 S	1/2007	Provost et al.
D563,045 S	2/2008	Provost et al.
D563,046 S	2/2008	Provost et al.
D616,607 S	5/2010	Ramm et al.
D640,416 S	6/2011	Watson
D640,831 S	6/2011	Watson
D641,104 S	7/2011	Watson et al.
D653,396 S	1/2012	Watson
D655,042 S	2/2012	Watson et al.
D655,861 S	3/2012	Watson

1 Claim, 4 Drawing Sheets



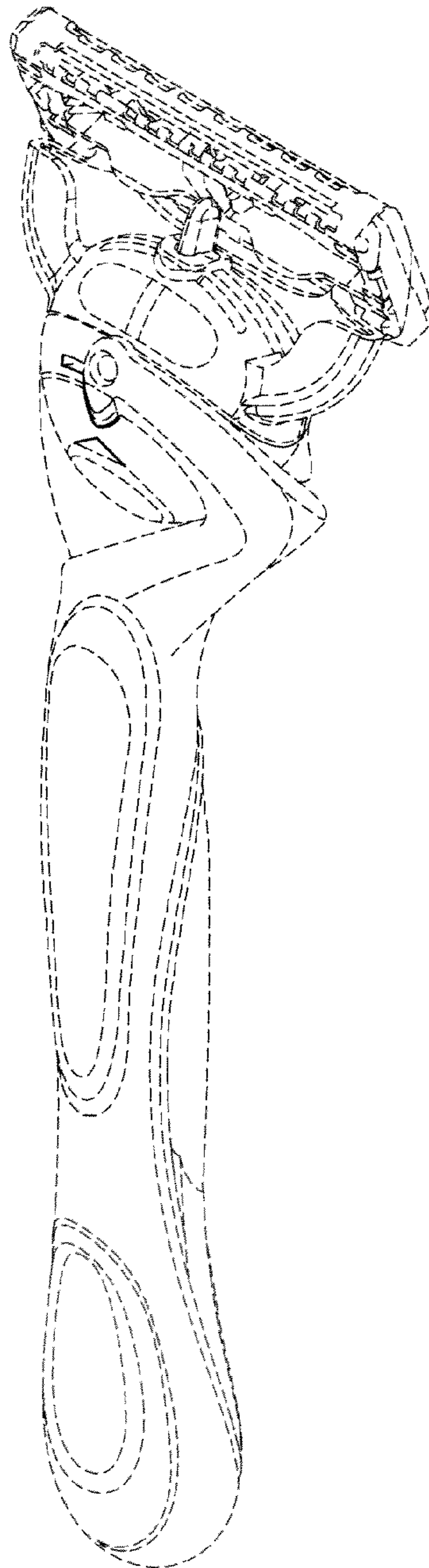


FIG. 1

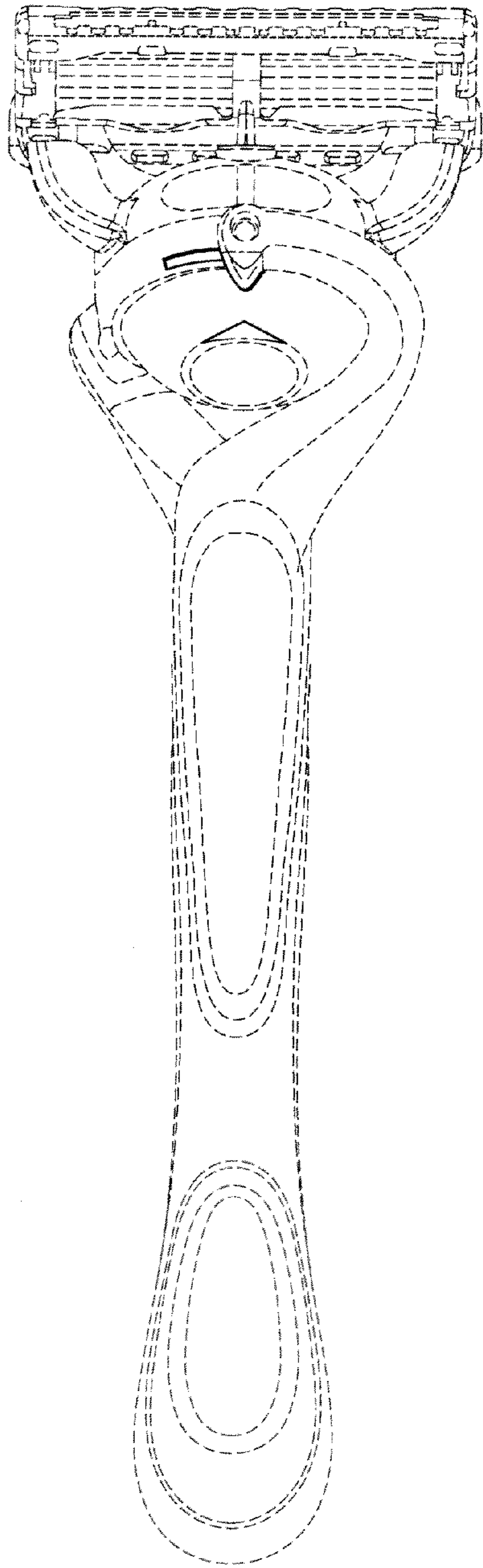


FIG. 2

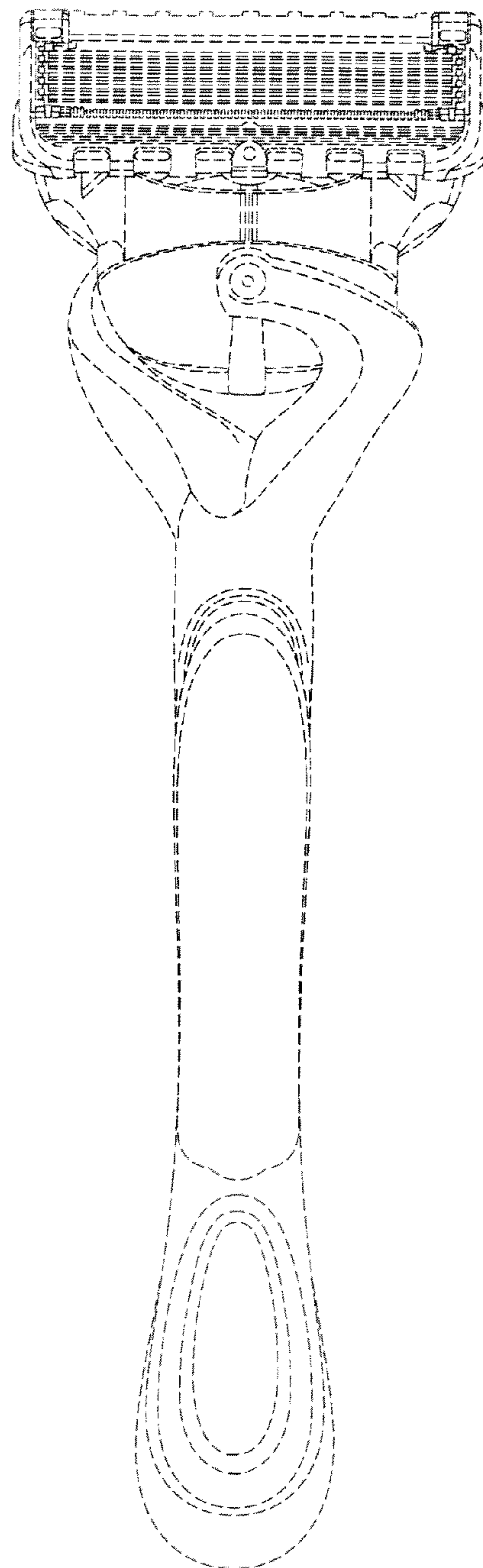


FIG. 3

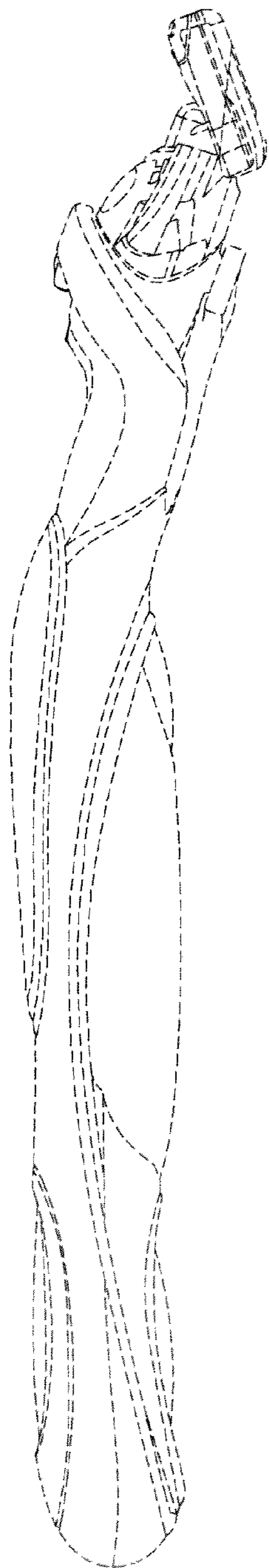


FIG. 4

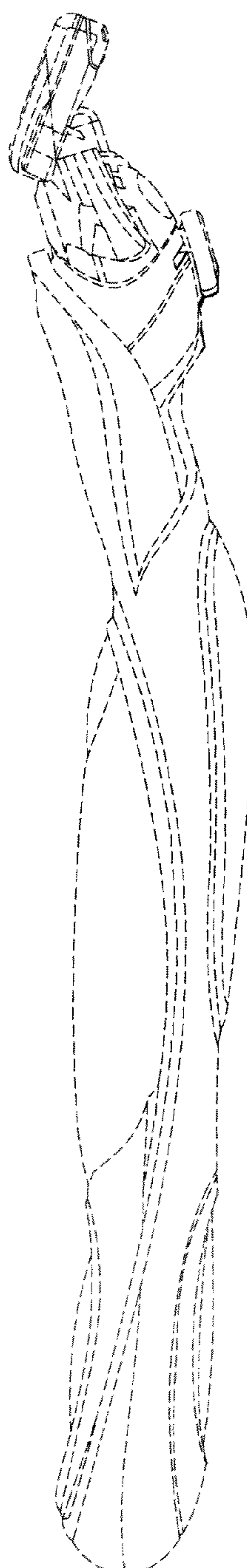


FIG. 5

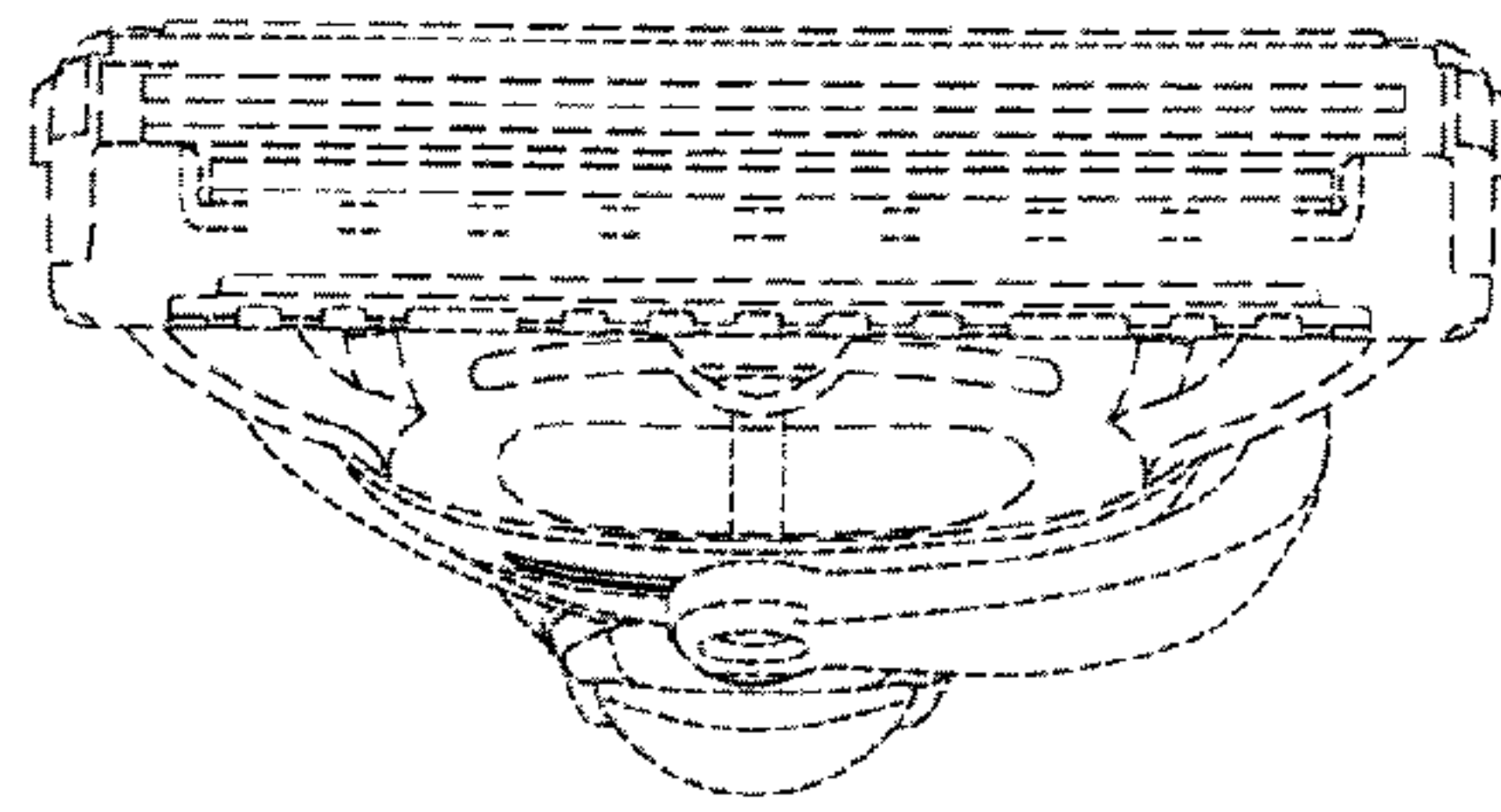


FIG. 6

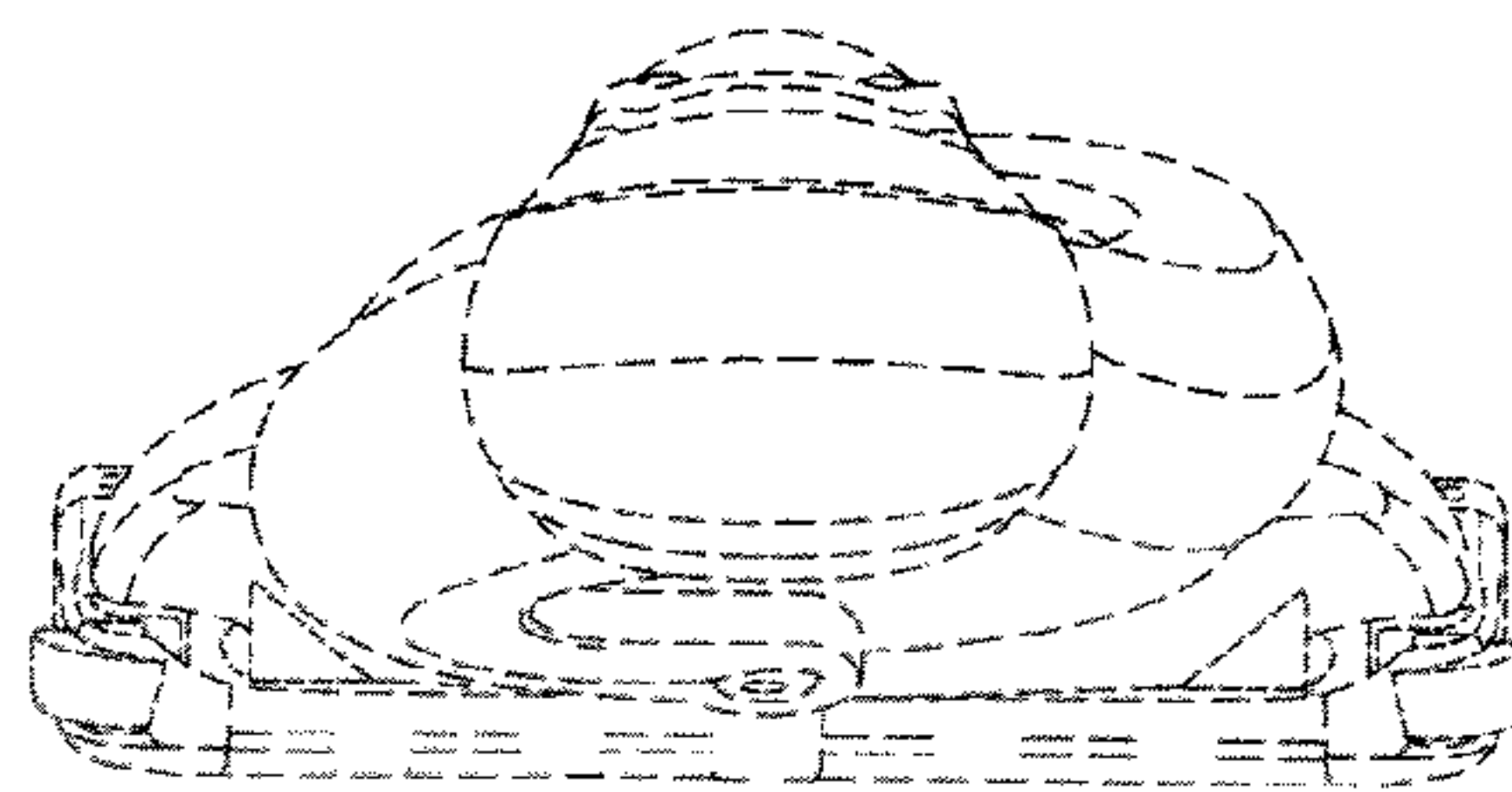


FIG. 7