



US00D674132S

(12) **United States Design Patent**
Shemitz-Walker et al.

(10) **Patent No.:** **US D674,132 S**
(45) **Date of Patent:** **** Jan. 8, 2013**

(54) **BAFFLE FOR LUMINAIRE**

(75) Inventors: **Allison K. Shemitz-Walker**, New Haven, CT (US); **Jonas Concepcion**, Beacon, NY (US); **Paul Ford**, Orange, CT (US)

(73) Assignee: **Sylvan R. Shemitz Designs, Inc.**, West Haven, CT (US)

(**) Term: **14 Years**

(21) Appl. No.: **29/409,483**

(22) Filed: **Dec. 23, 2011**

(51) **LOC (9) Cl.** **26-99**

(52) **U.S. Cl.** **D26/122**

(58) **Field of Classification Search** D26/155, D26/60, 152, 154, 74, 75, 76, 77, 78, 113, D26/118, 119, 120, 121, 122, 128, 138, 125, D26/124, 126, 127, 85, 86, 88, 89, 90, 91, D26/65, 64, 67, 68, 1, 2, 24, 141, 142, 145, D26/144, 92, 93, 62, 63, 51, 56, 55, 58, 104, D26/139, 140, 3; 362/101, 225, 634, 246, 362/326, 249.01–249.11, 220, 221, 224, 362/222, 223, 275, 276, 277, 271, 162, 450, 362/236; 211/10; 439/94, 95, 115, 110; D8/380, 396, 394, 72, 354, 349, 373; D6/310, D6/314, 470; D23/411; D11/90, 89, 132; D19/96, 90, 77, 78, 75; D13/179, 180, 155

See application file for complete search history.

(56) **References Cited**

U.S. PATENT DOCUMENTS

D132,144	S	*	4/1942	Hallman	D26/84
D156,332	S	*	12/1949	Gilman	D26/77
2,710,332	A	*	6/1955	Gogen	362/86
D240,853	S	*	8/1976	Aronson	D26/77
D334,076	S	*	3/1993	Dieperink et al.	D26/77
D377,231	S	*	1/1997	Degelmann	D26/77
D378,860	S	*	4/1997	Galletly	D26/77
D455,516	S	*	4/2002	Casciani et al.	D26/76
D558,379	S	*	12/2007	Citterio	D26/76
D601,296	S	*	9/2009	Lee et al.	D26/122
D602,627	S	*	10/2009	Lasthein et al.	D26/77
D629,958	S	*	12/2010	Kong et al.	D26/118

* cited by examiner

Primary Examiner — Kevin Rudzinski

(74) *Attorney, Agent, or Firm* — Cantor Colburn LLP

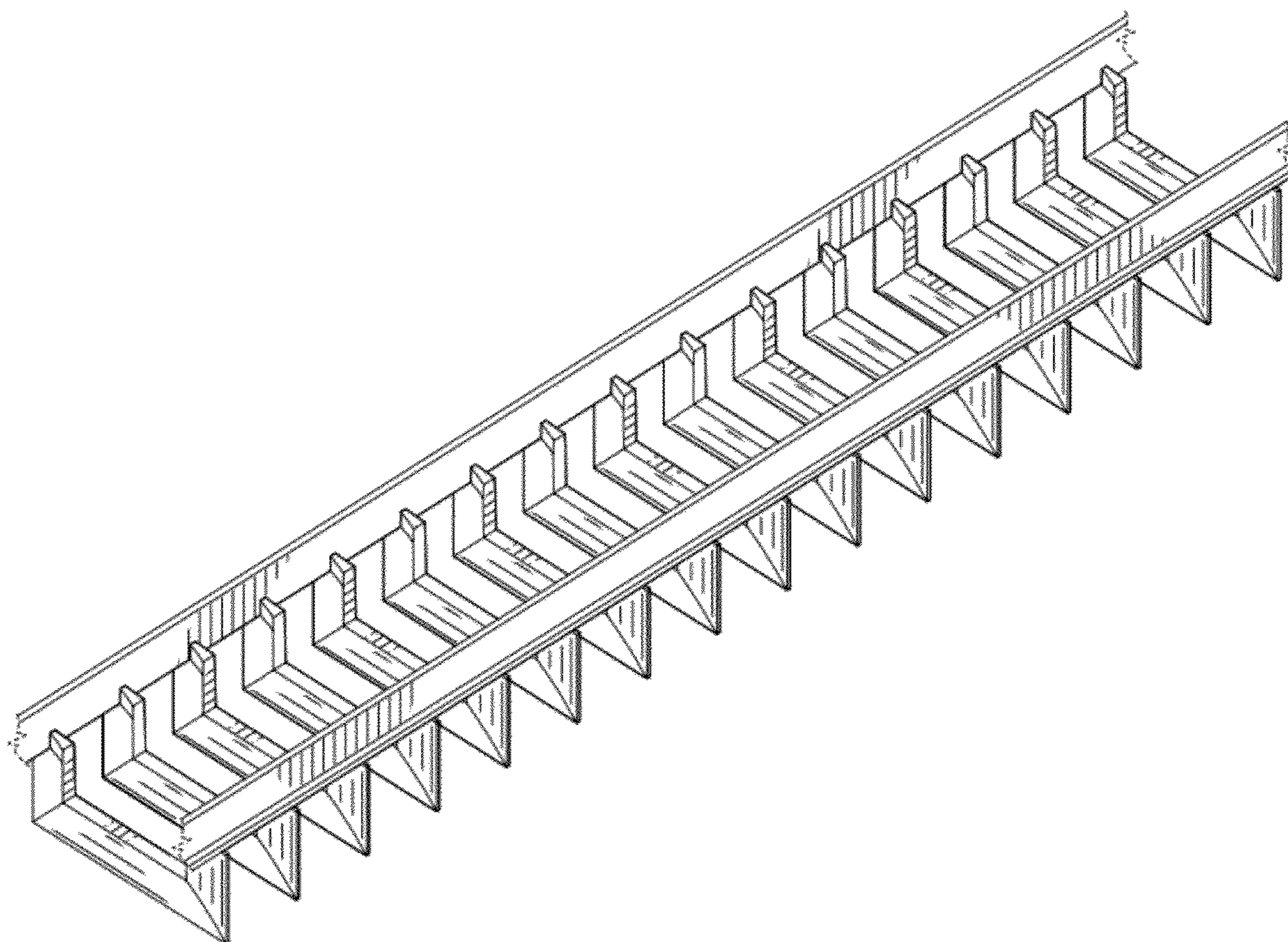
(57) **CLAIM**

We claim, the ornamental design for a baffle for luminaire, as shown and described.

DESCRIPTION

FIG. 1 is a perspective view of a baffle for luminaire, showing our new design;
FIG. 2 is an end view thereof;
FIG. 3 is an opposite end view thereof;
FIG. 4 is a top plan view thereof;
FIG. 5 is a bottom plan view thereof;
FIG. 6 is a side elevation view thereof; and,
FIG. 7 is an opposite side elevation view thereof.
The jagged broken lines shown in the drawings, illustrating that the design has no specific length, form no part of the claimed design.

1 Claim, 6 Drawing Sheets



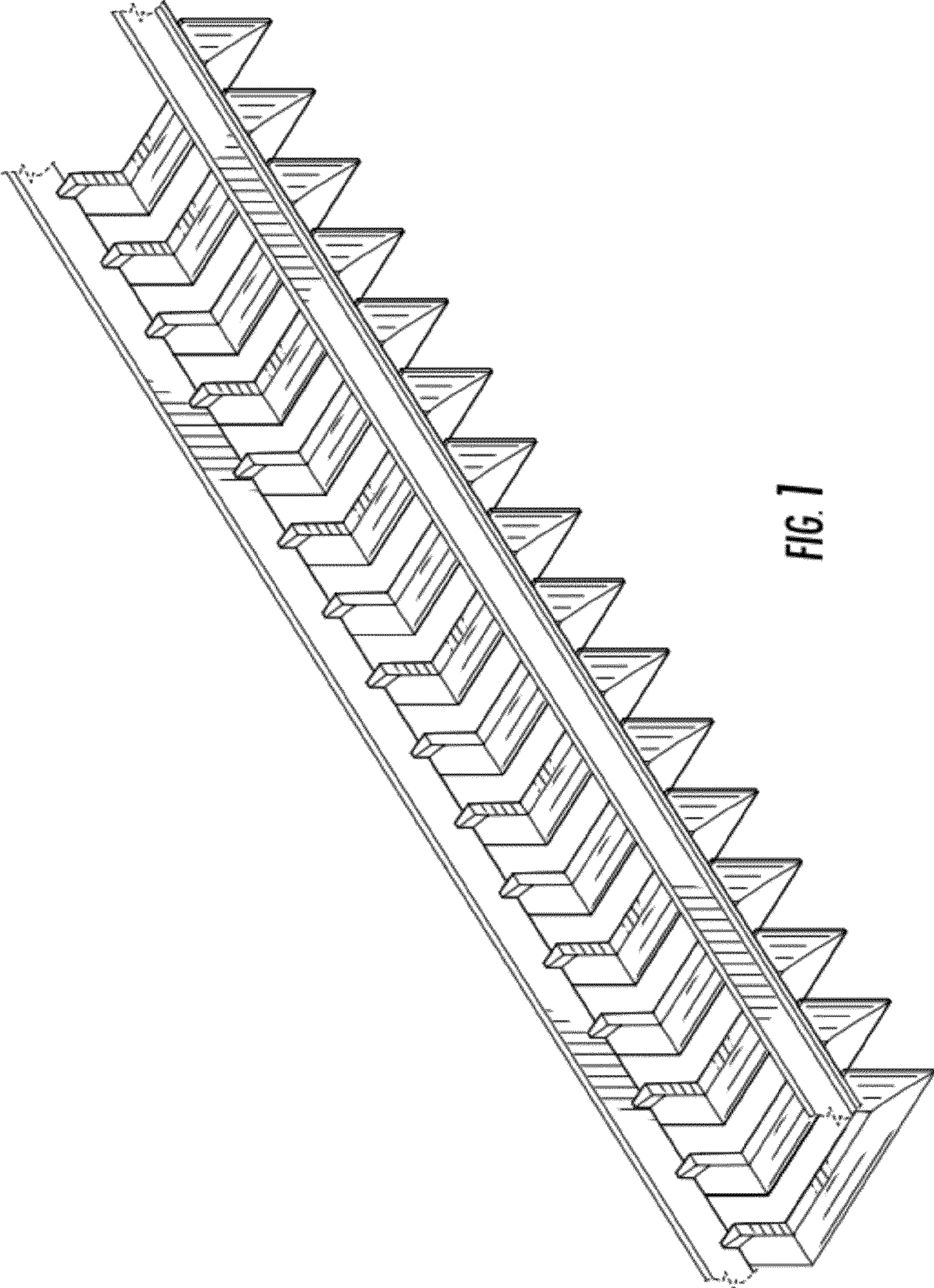


FIG. 1

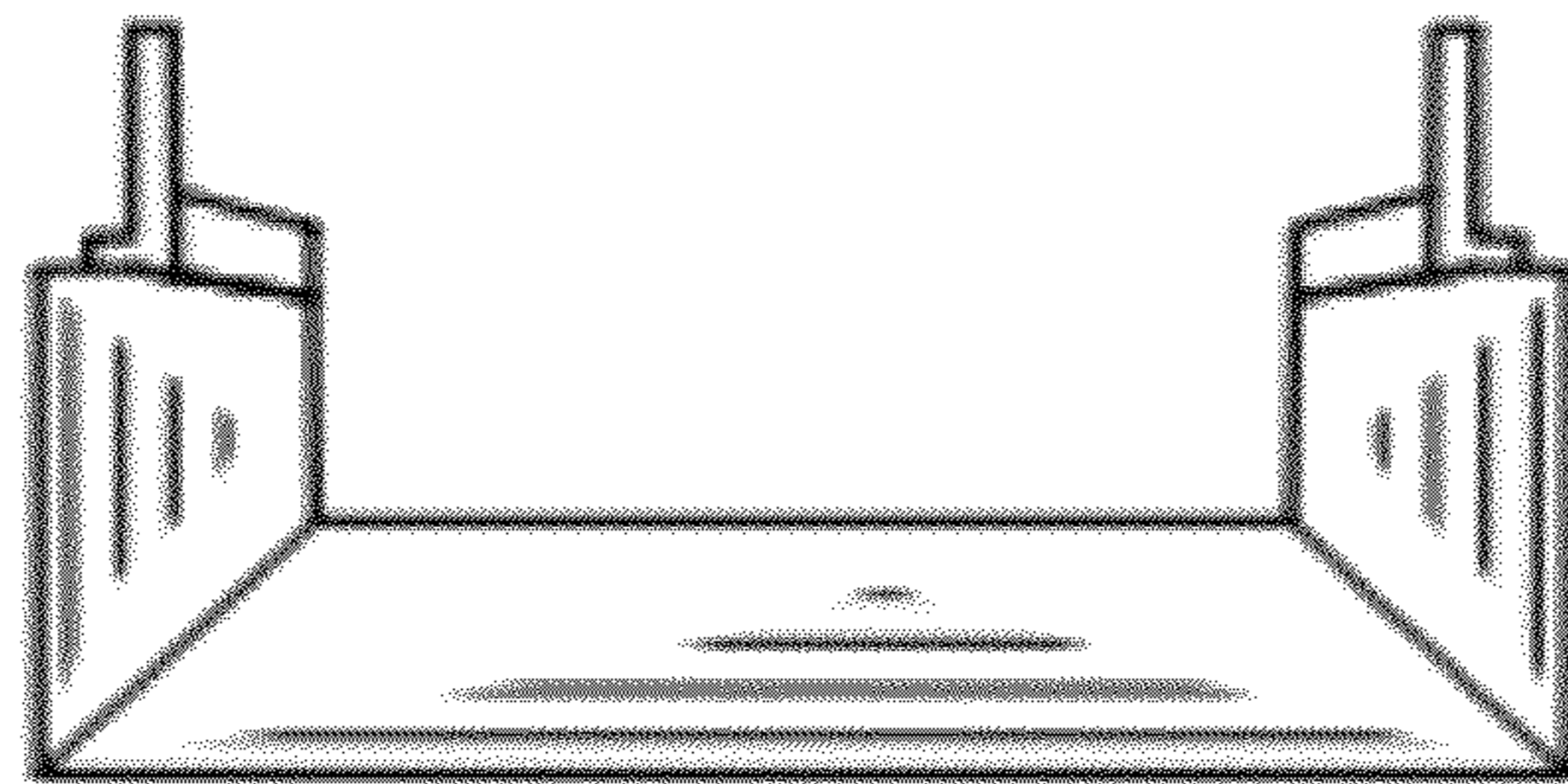


FIG. 2

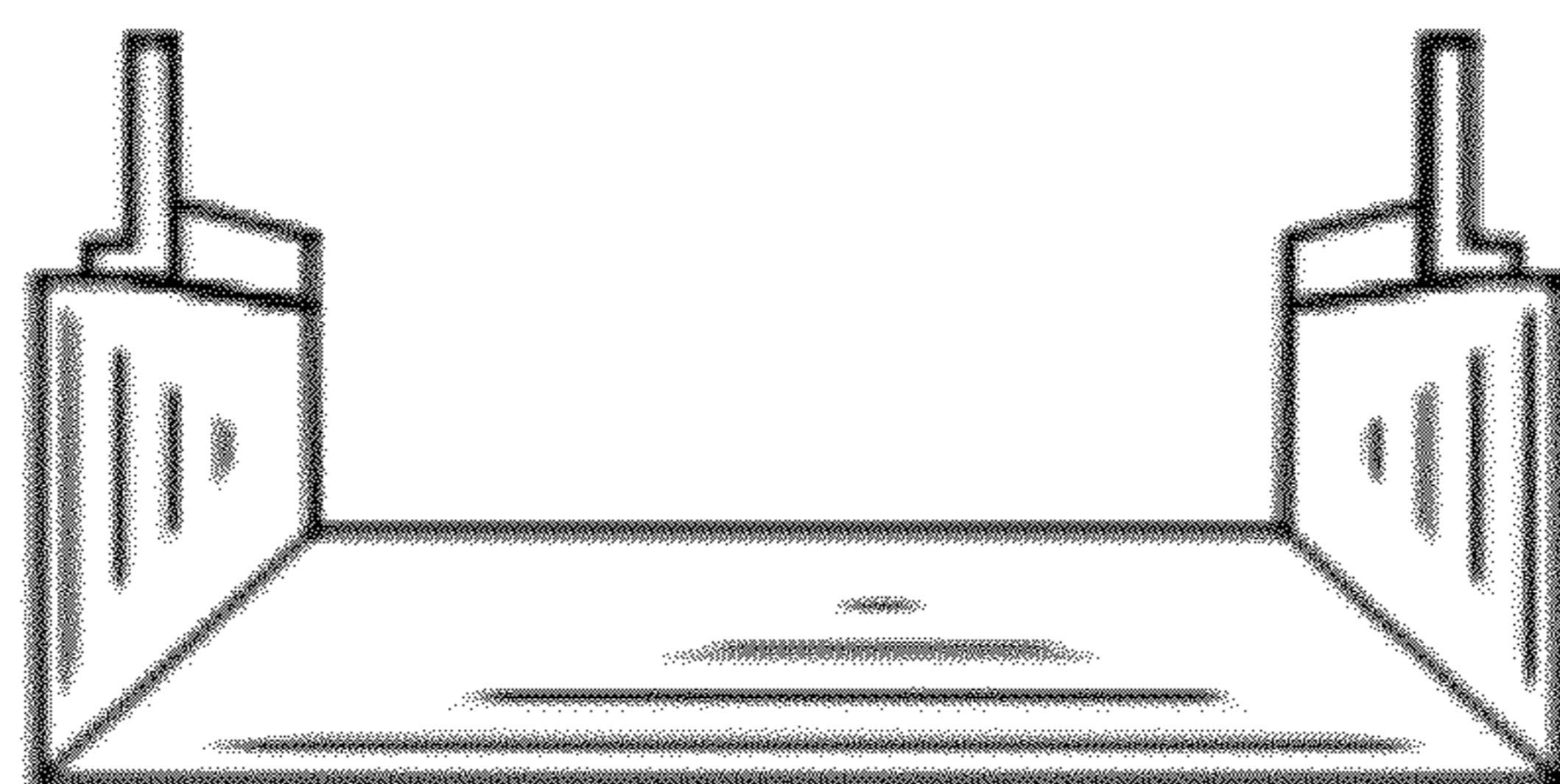


FIG. 3

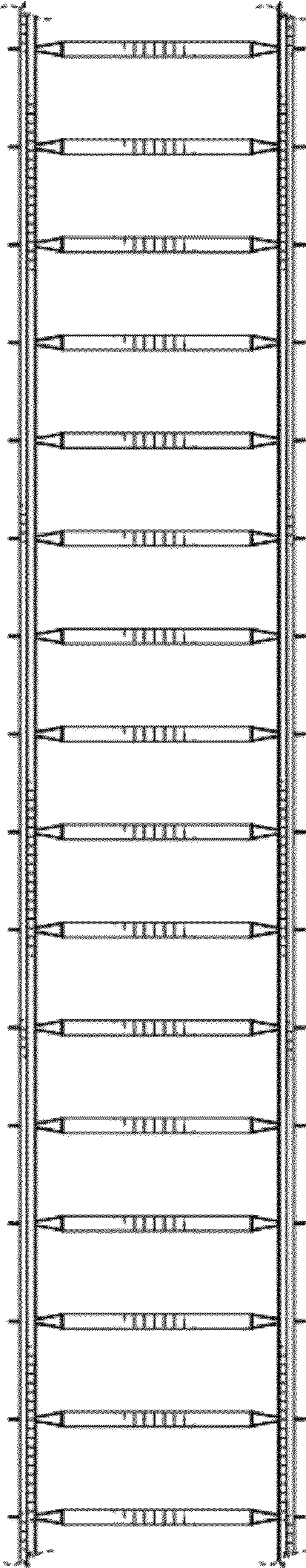


FIG. 4

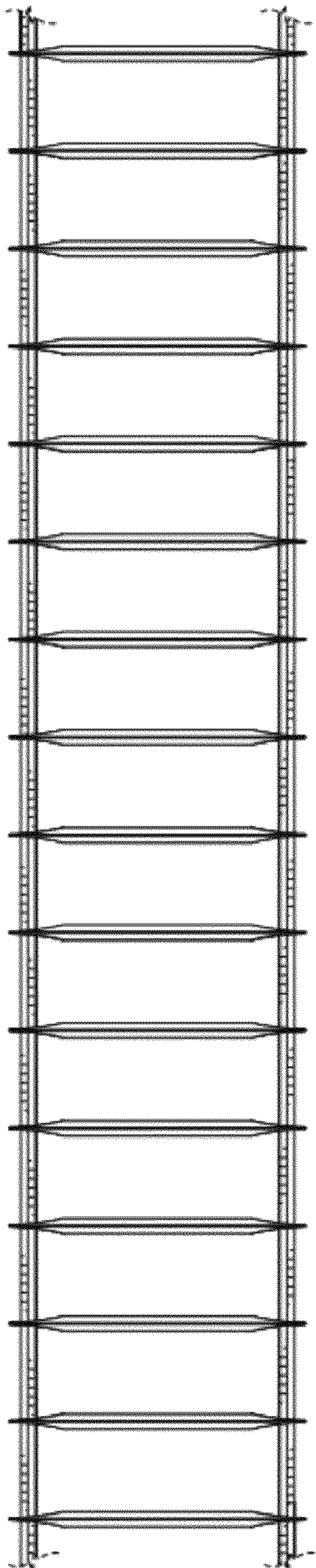


FIG. 5

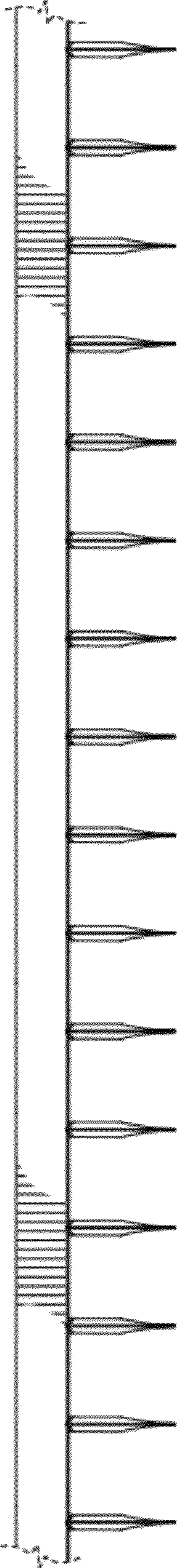


FIG. 6

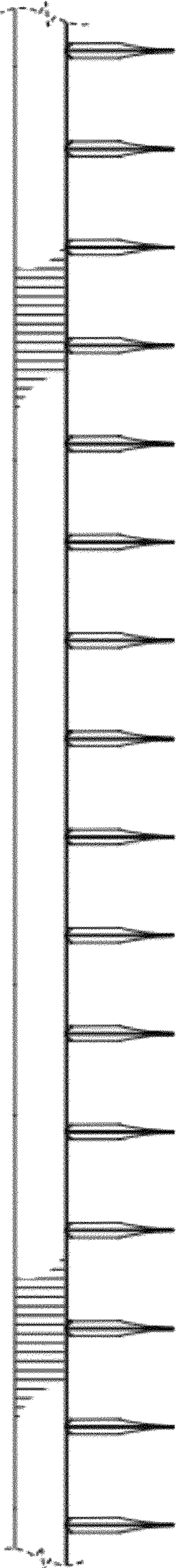


FIG. 7