



US00D674131S

(12) **United States Design Patent**
Gordin et al.

(10) **Patent No.:** **US D674,131 S**
(45) **Date of Patent:** **** Jan. 8, 2013**

(54) **LIGHTING MODULE VISOR**

(75) Inventors: **Myron Gordin**, Oskaloosa, IA (US);
Lawrence H. Boxler, Oskaloosa, IA
(US); **Timothy J. Boyle**, Oskaloosa, IA
(US); **Chris P. Lickiss**, Newton, IA (US)

(73) Assignee: **Musco Corporation**, Oskaloosa, IA
(US)

(**) Term: **14 Years**

(21) Appl. No.: **29/398,856**

(22) Filed: **Aug. 5, 2011**

(51) **LOC (9) Cl.** **26-99**

(52) **U.S. Cl.** **D26/118**

(58) **Field of Classification Search** 40/617,
40/553, 592; D16/101; D13/179, 180; D9/457;
D12/400; D8/354, 382; D10/11; D11/79,
D11/129, 125, 128, 126, 127, 124, 121, 122,
D11/123; D30/133; D6/462, 403; D20/41,
D20/42, 10; D25/100, 106; 362/343, 362,
362/246, 260, 256, 223, 125, 565, 647, 350,
362/102; D26/96, 95, 91, 92, 93, 28, 26,
D26/27, 144, 131, 94, 126, 24, 25, 140, 141,
D26/142, 143, 71, 72, 73, 74, 75, 76, 77,
D26/78, 79, 81, 113, 118, 119, 120, 121,
D26/122, 39, 138, 135, 139, 145, 155, 154,
D26/63, 64, 65, 66, 67, 68, 84, 85, 83, 82,
D26/1, 2, 3, 86, 88, 132, 133, 134, 60, 61,
D26/62, 123, 124, 125

See application file for complete search history.

(56) **References Cited**

U.S. PATENT DOCUMENTS

D44,564 S * 8/1913 Hamm D26/128
1,357,034 A * 10/1920 D Humy 362/290
(Continued)

Primary Examiner — Kevin Rudzinski

(74) *Attorney, Agent, or Firm* — McKee, Voorhees & Sease,
P.L.C.

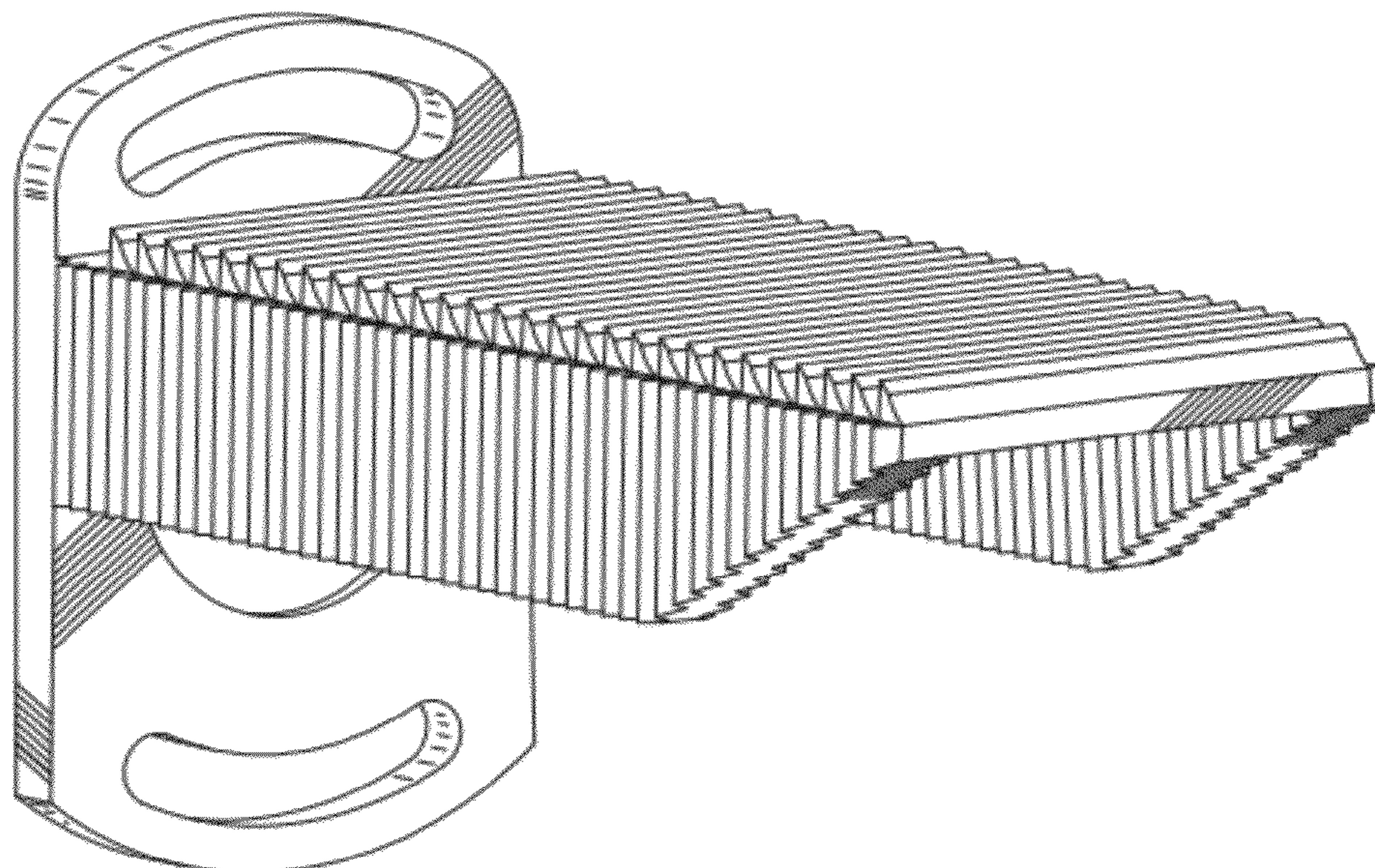
(57) **CLAIM**

The ornamental design for a lighting module visor, as shown
and described.

DESCRIPTION

FIG. 1 is a perspective view of an embodiment of the claimed
design;
FIG. 2 is a top plan view of FIG. 1;
FIG. 3 is a bottom plan view of FIG. 1;
FIG. 4 is a front elevation view of FIG. 1;
FIG. 5 is a back elevation view of FIG. 1;
FIG. 6 is a right side elevation view of FIG. 1;
FIG. 7 is a left side elevation view of FIG. 1;
FIG. 8 is a perspective view of the embodiment of FIGS. 1-7
in a typical environment in which it is used;
FIG. 9 is a perspective view of another embodiment of the
claimed design. The only difference is the showing of inde-
terminate side length (the length of the side can vary but with
the same ornamentation as the part in solid lines); and,
FIG. 10 is a perspective view of another embodiment of the
claimed design. The only difference is showing of indetermi-
nate top length (the length of the portion can vary but with the
same ornamentation as in solid lines).
The broken lines showing a lighting module in FIG. 8 illus-
trates environmental structure and forms no part of the
claimed design. The broken lines used to indicate the design
having no specific length in FIGS. 9 and 10 form no part of the
claimed design.

1 Claim, 10 Drawing Sheets



US D674,131 S

Page 2

U.S. PATENT DOCUMENTS

D57,890	S	*	5/1921	Collier	D26/28					
1,555,397	A	*	9/1925	Dean et al.	362/354					
1,560,408	A	*	11/1925	Charlebois	362/343					
1,600,682	A	*	9/1926	McCarley	362/348					
D199,631	S	*	11/1964	Petersen	D26/63					
D295,326	S	*	4/1988	Dahlgren	D26/63					
D295,563	S	*	5/1988	Speck	D26/139					
4,760,511	A	*	7/1988	Russello et al.	362/427					
5,613,766	A	*	3/1997	Raouf	362/287					
5,730,521	A	*	3/1998	Spink et al.	362/223					
5,860,733	A	*	1/1999	Stone et al.	362/294					
D432,693	S	*	10/2000	Wachter et al.	D26/63					
6,152,583	A	*	11/2000	Langner	362/427					
6,502,965	B1	*	1/2003	Bradford	362/346					
D612,975	S	*	3/2010	Guercio et al.	D26/85					
7,712,929	B2	*	5/2010	Schaefer et al.	362/297					

* cited by examiner

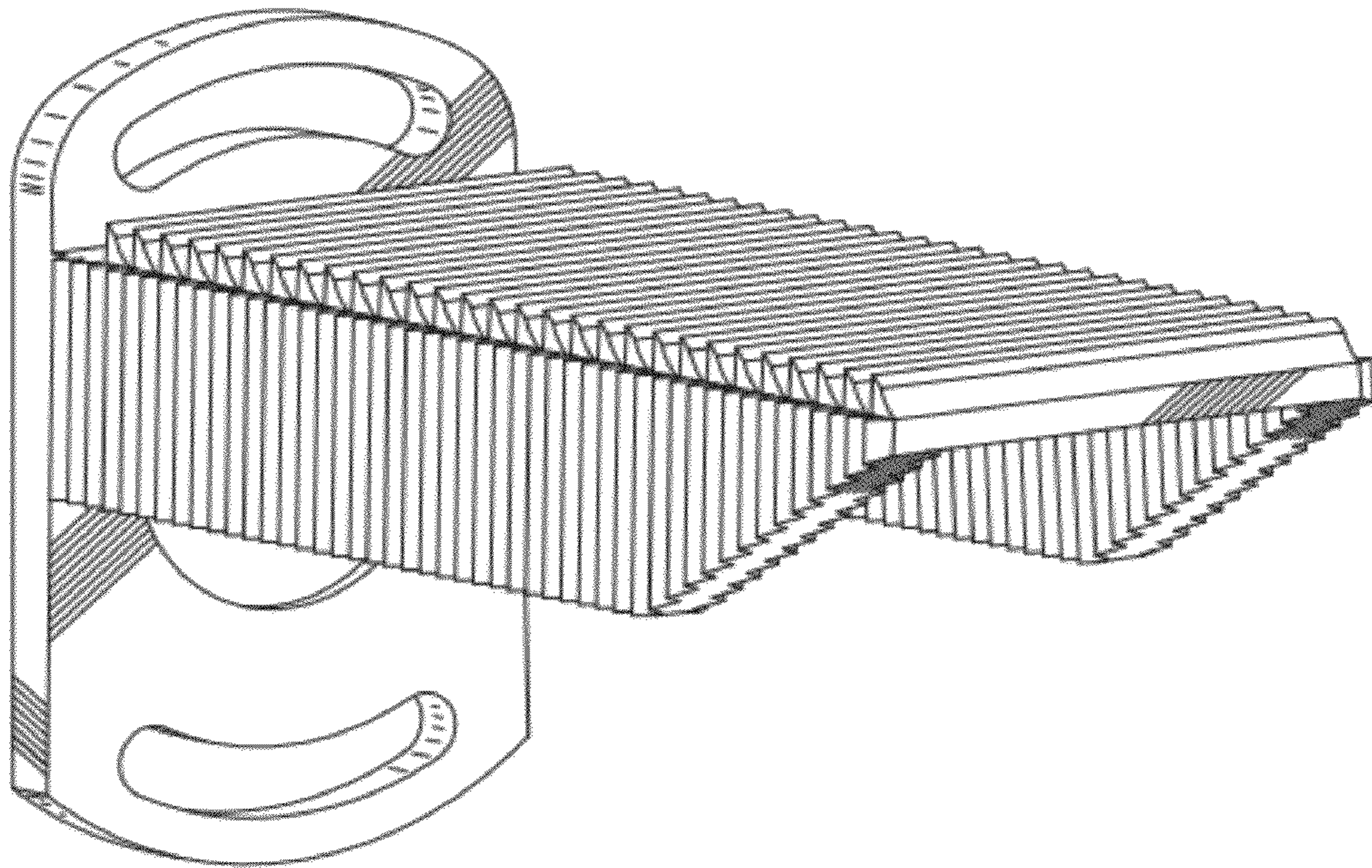


Fig 1

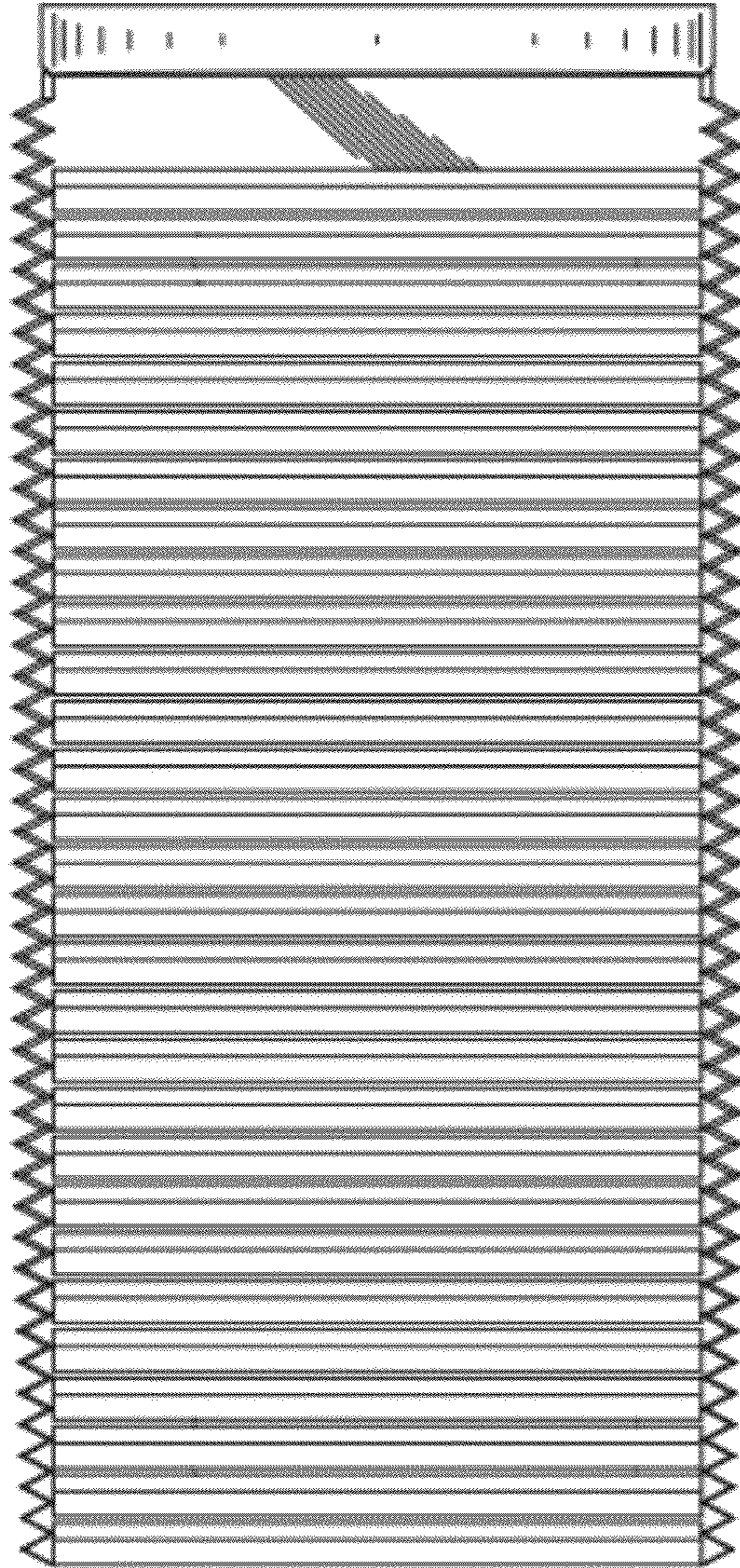


Fig 2

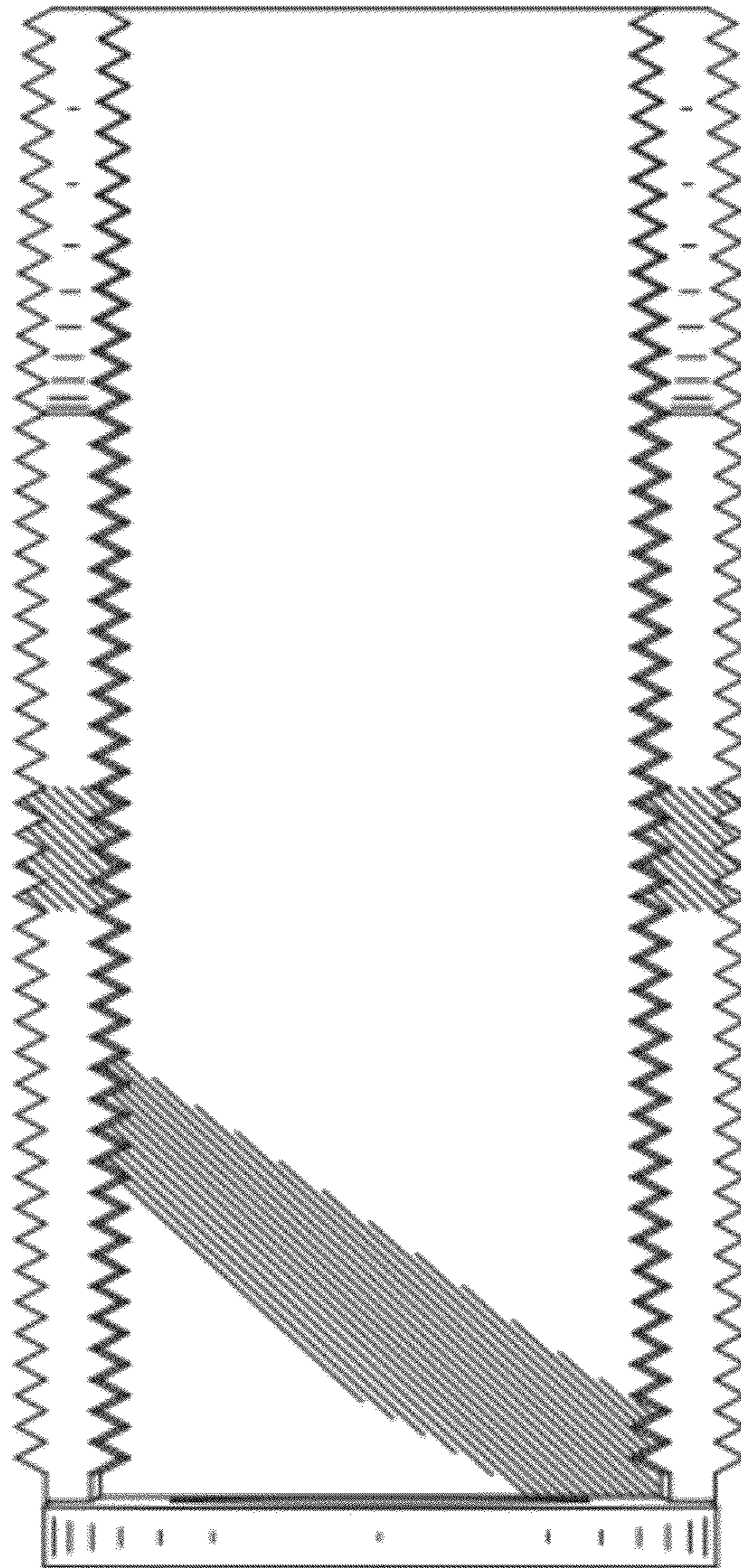


Fig 3

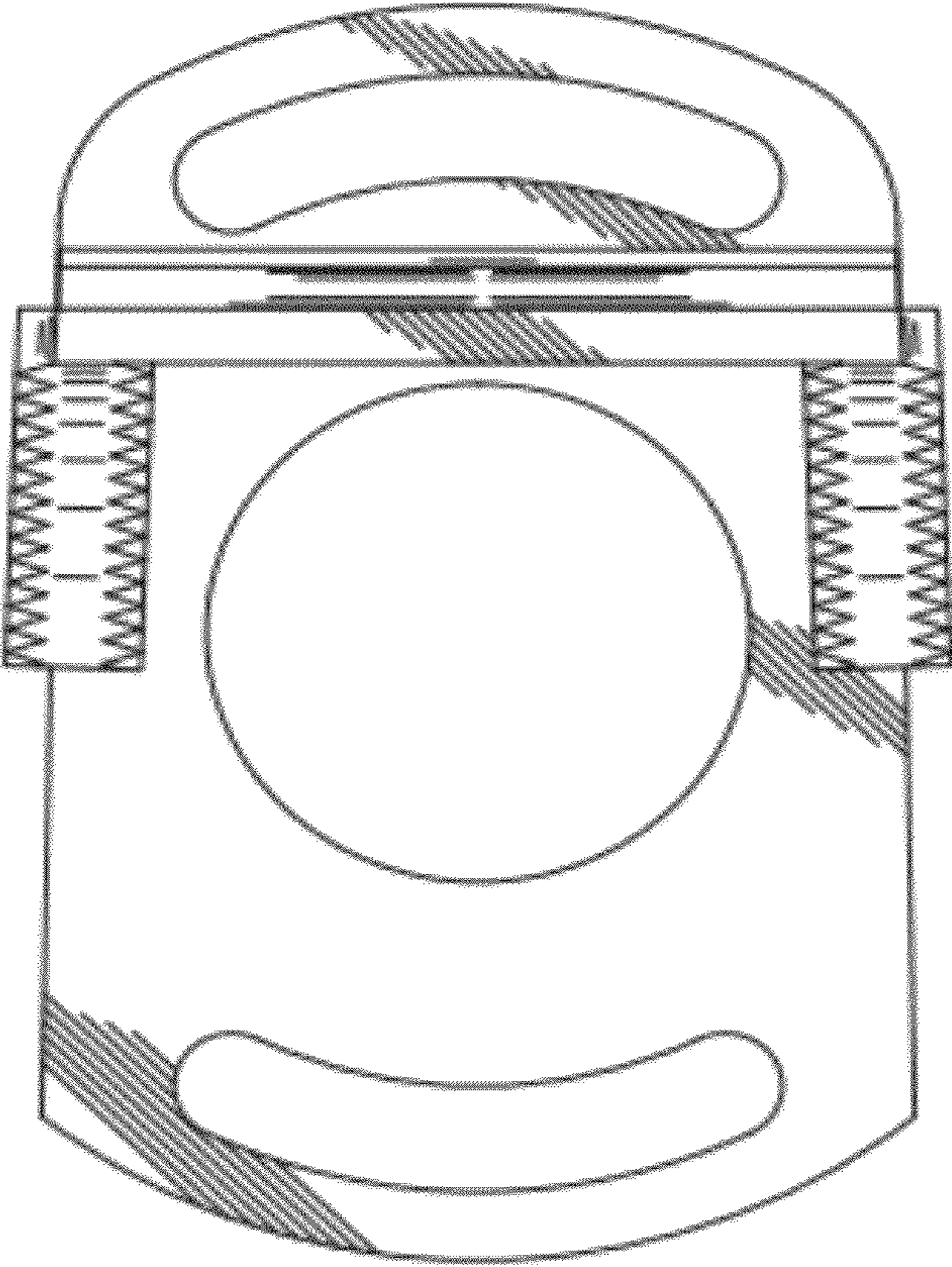


Fig 4

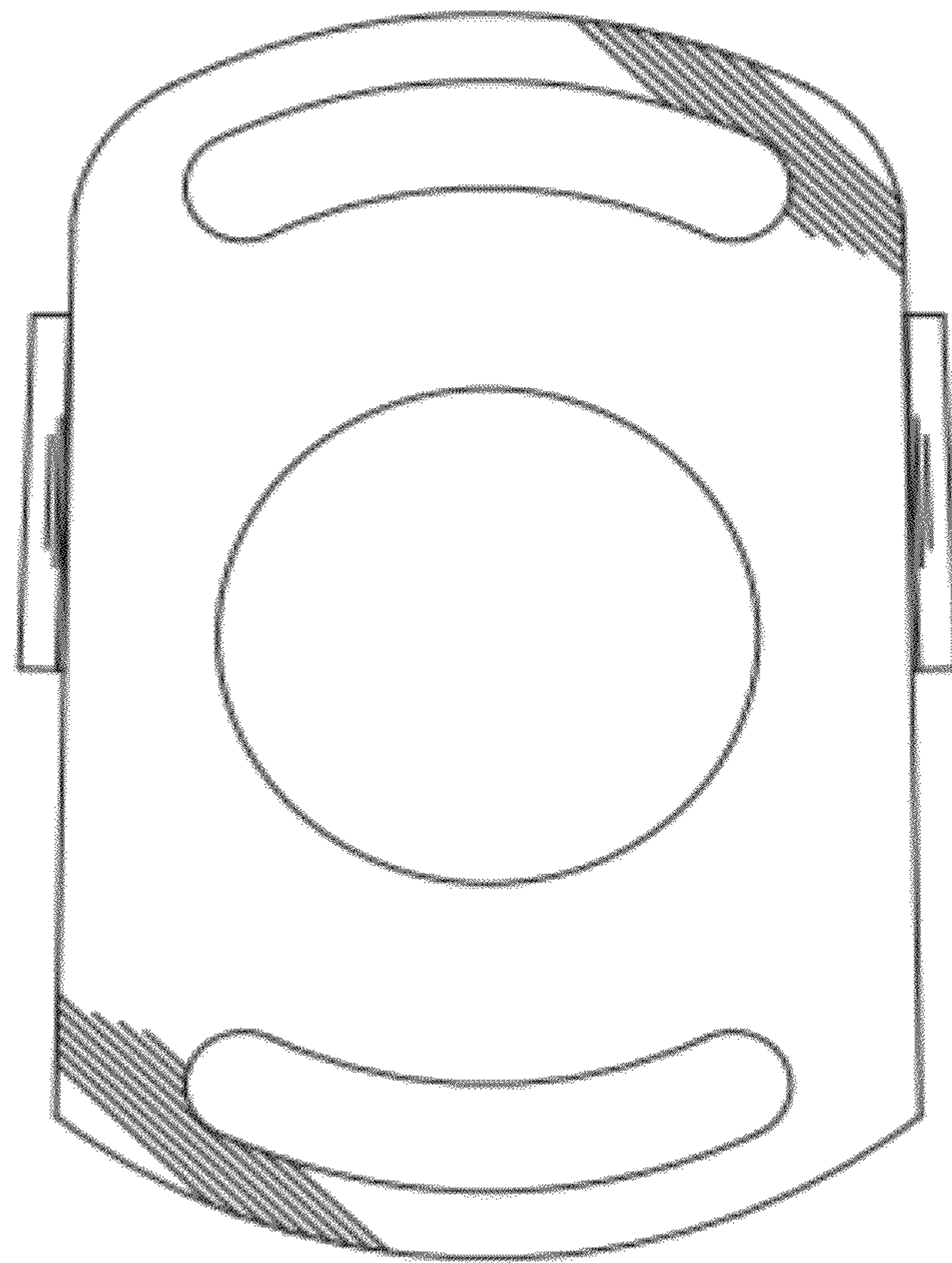


Fig 5

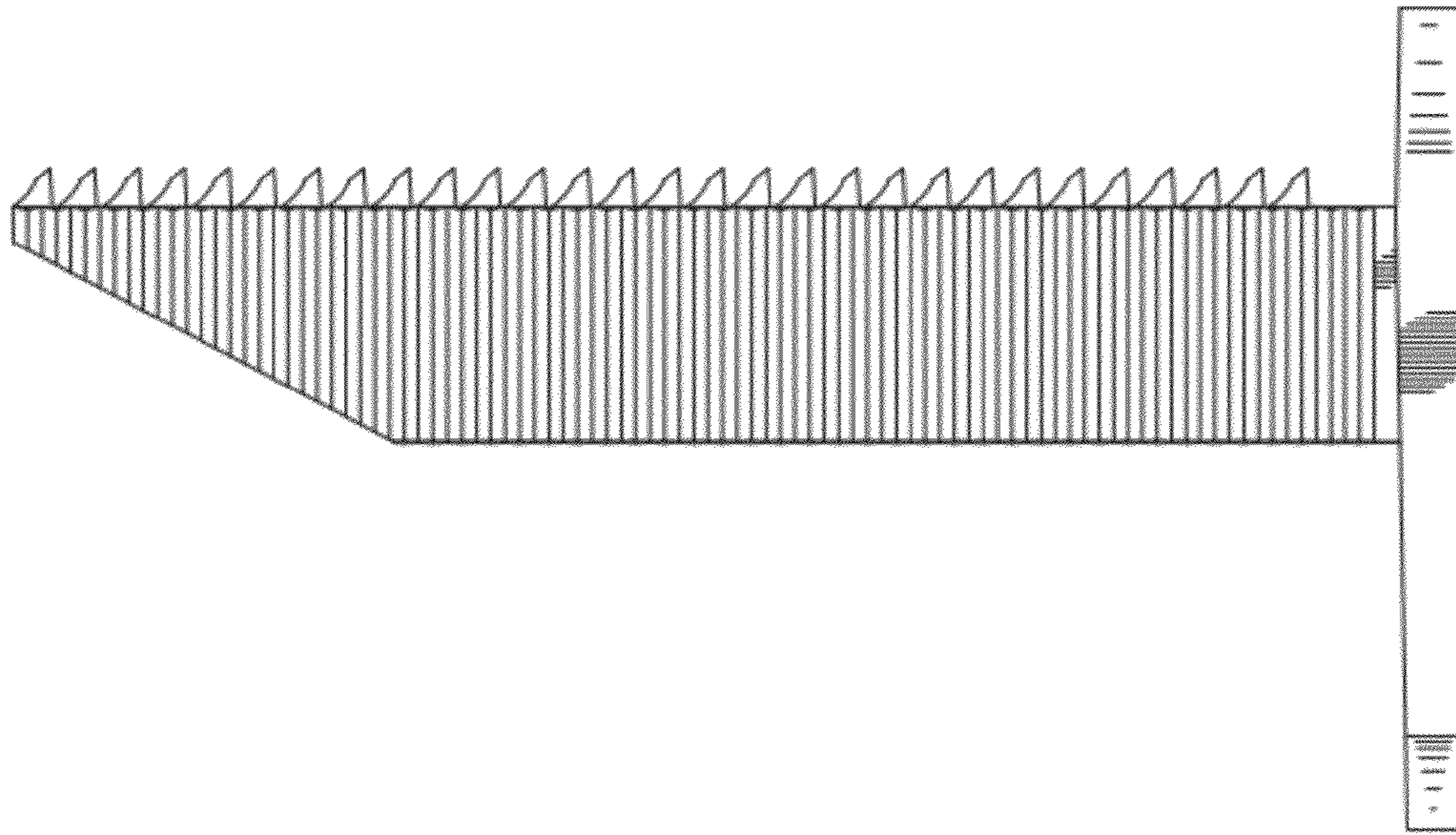


Fig 6

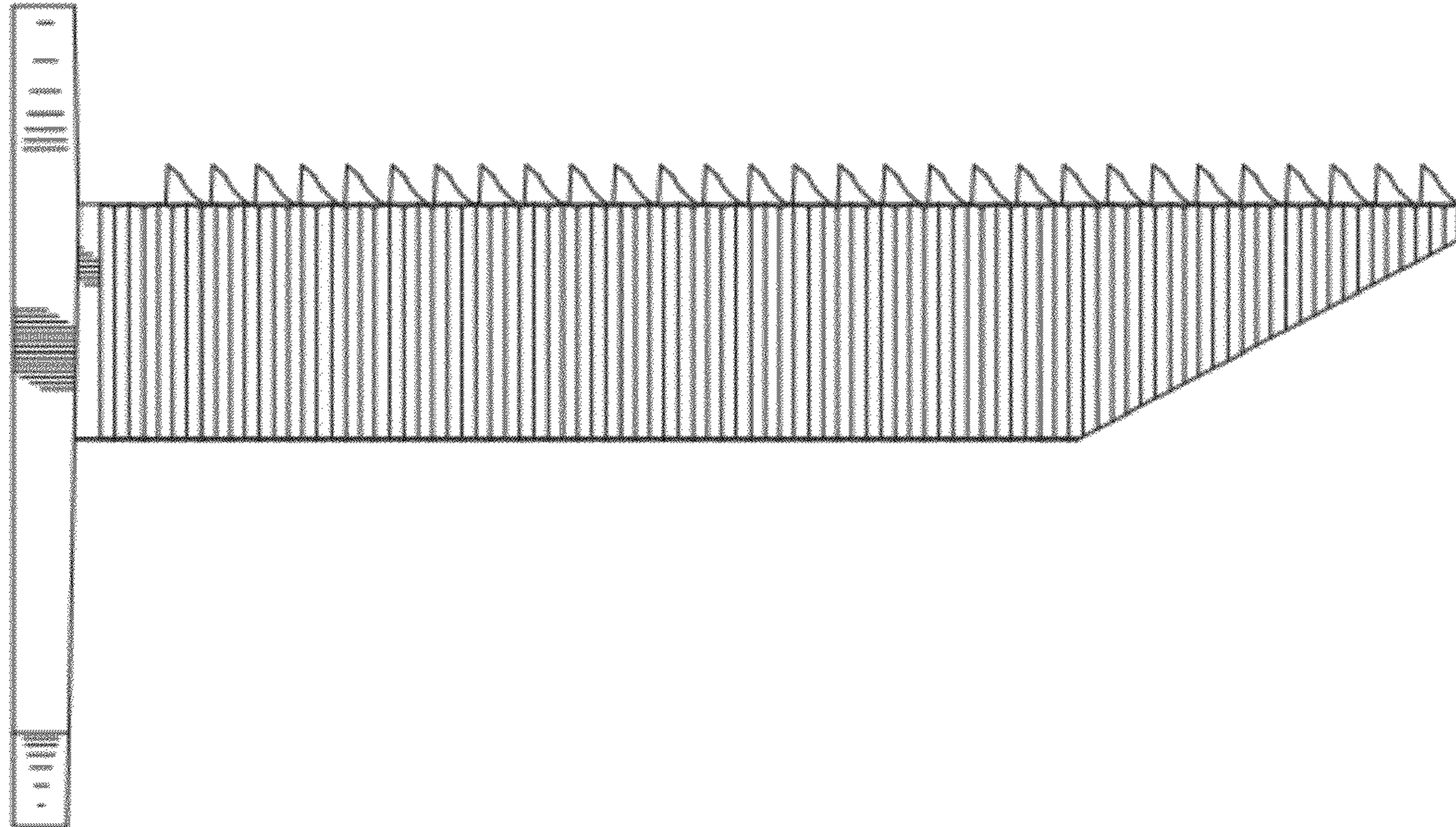


Fig 7

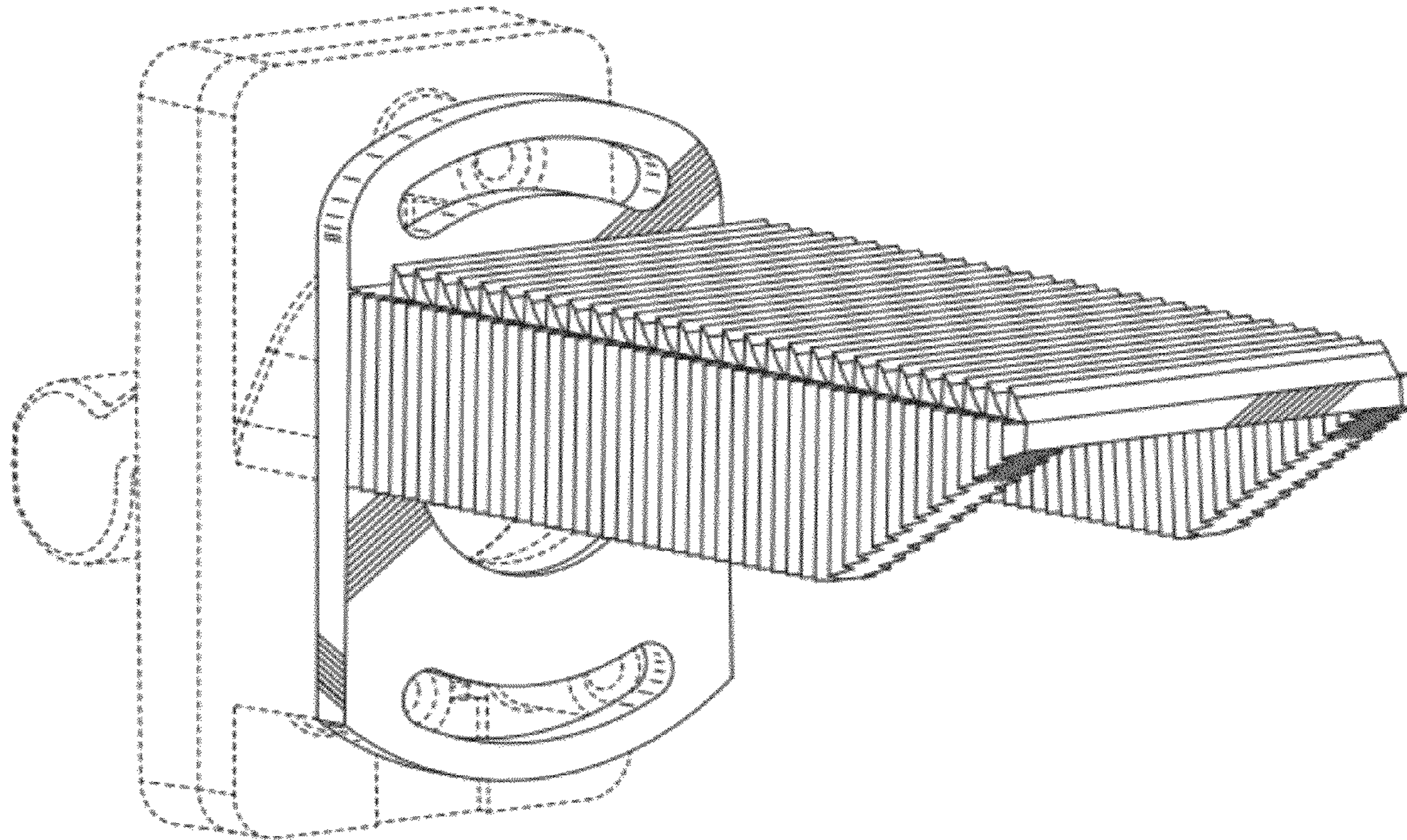


Fig 8

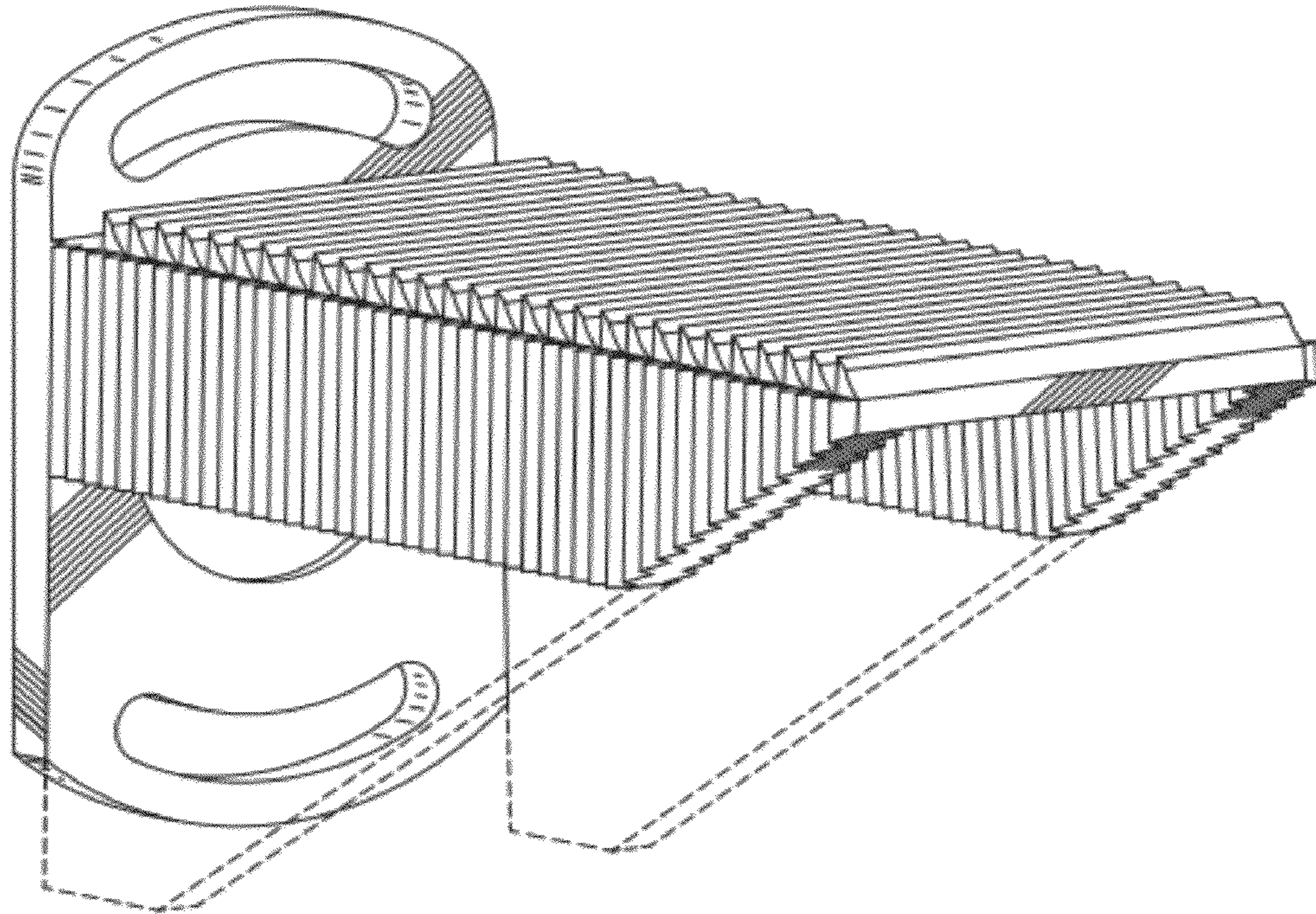


Fig 9

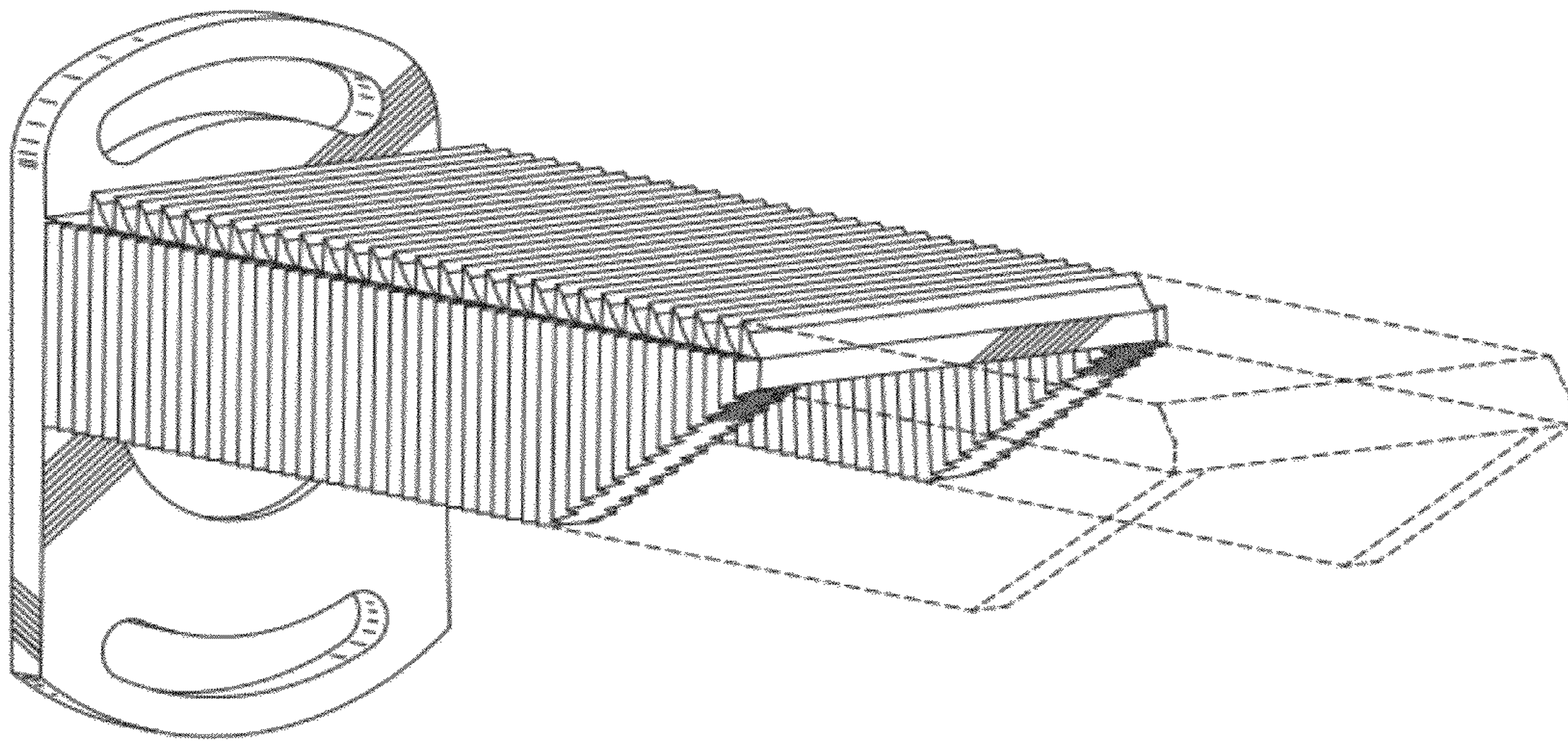


Fig 10