



US00D674127S

(12) **United States Design Patent**
Rowlette, Jr. et al.

(10) **Patent No.:** **US D674,127 S**
(45) **Date of Patent:** **** Jan. 8, 2013**

(54) **LIGHTING FIXTURE**

(75) Inventors: **John R. Rowlette, Jr.**, Raleigh, NC
(US); **Craig William Hardin**, Apex, NC
(US)

(73) Assignee: **Cree, Inc.**, Durham, NC (US)

(**) Term: **14 Years**

(21) Appl. No.: **29/379,154**

(22) Filed: **Nov. 15, 2010**

(51) **LOC (9) Cl.** **26-05**

(52) **U.S. Cl.** **D26/74**

(58) **Field of Classification Search** D26/74,
D26/72, 113, 118, 133, 134, 136, 24, 59,
D26/63, 75, 76, 77, 78, 79, 80, 81, 82, 83,
D26/84, 85, 138; 362/126, 145, 146, 147,
362/148, 150, 151, 152, 153, 153.1, 218,
362/217.05, 217.06, 217.07, 294, 296.01,
362/296.07, 296.08, 311.01, 311.07, 311.09,
362/345, 364, 365, 366, 373; D23/379
See application file for complete search history.

(56) **References Cited**

U.S. PATENT DOCUMENTS

D383,564	S *	9/1997	Lecluze	D26/118
D386,805	S *	11/1997	Bonnette et al.	D26/74
D397,472	S	8/1998	Lecluze		
5,800,038	A	9/1998	McCool		
D399,590	S *	10/1998	Lecluze	D26/118
6,193,392	B1	2/2001	Lodhie		
D473,966	S *	4/2003	Lecluze	D26/74
D474,298	S *	5/2003	Lecluze	D26/74
D488,251	S *	4/2004	Benghozi	D26/118
D488,583	S *	4/2004	Benghozi	D26/118
D544,979	S *	6/2007	Hartmann et al.	D26/74
D548,390	S *	8/2007	Lecluze	D26/138
D561,374	S *	2/2008	Hartmann et al.	D26/74

7,614,769	B2	11/2009	Sell		
D609,840	S *	2/2010	Tang	D26/74
D622,434	S *	8/2010	Ward et al.	D26/74
8,104,928	B1	1/2012	Horn		
2007/0035951	A1 *	2/2007	Tseng	362/294
2007/0041220	A1	2/2007	Lynch		
2008/0074889	A1	3/2008	Gloisten et al.		

(Continued)

FOREIGN PATENT DOCUMENTS

CN 3557377 8/2006

(Continued)

OTHER PUBLICATIONS

International Search Report for PCT/US2011/062990 mailed Apr. 12, 2012, 10 pages.

(Continued)

Primary Examiner — Angela J Lee

(74) *Attorney, Agent, or Firm* — Withrow & Terranova, P.L.L.C.

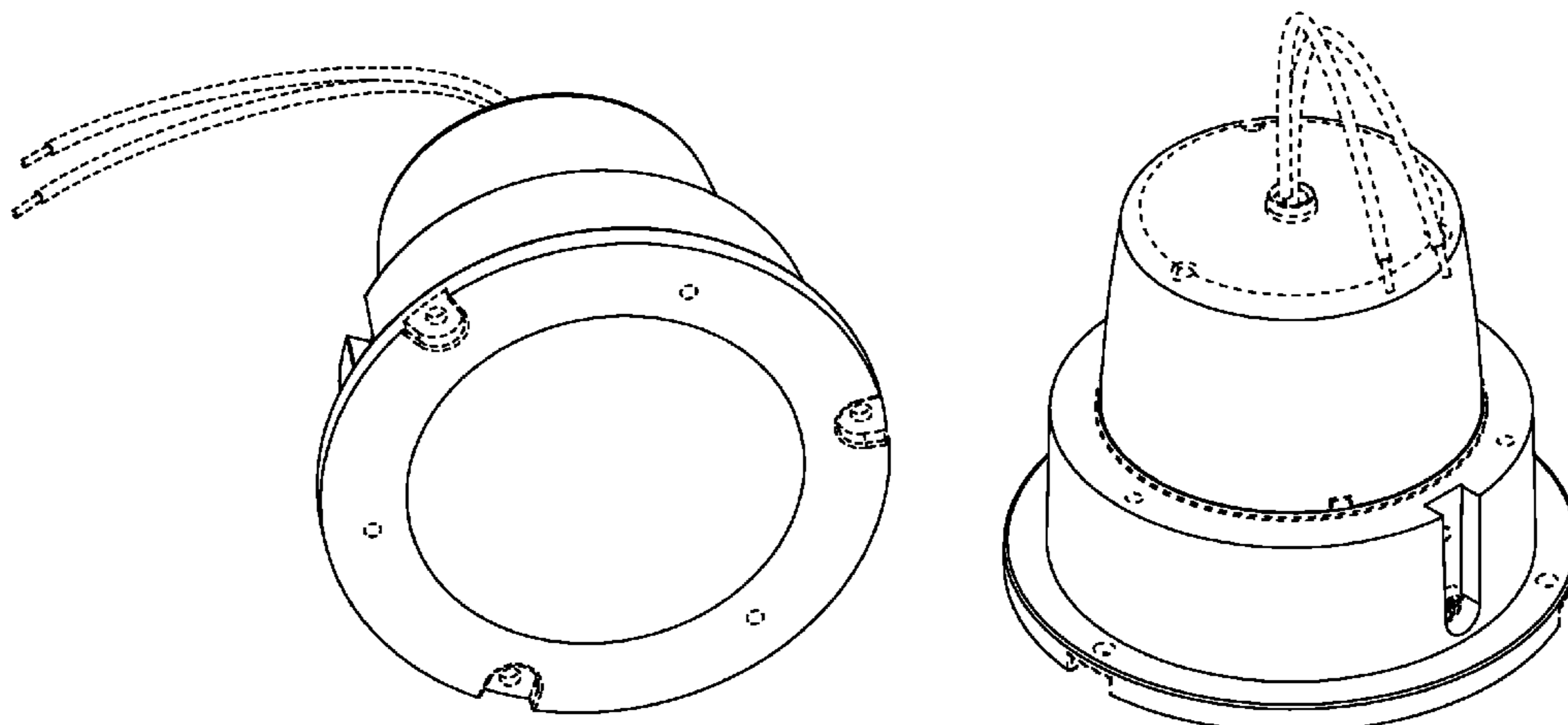
(57) **CLAIM**

The ornamental design for lighting fixture, as shown and described.

DESCRIPTION

FIG. 1 is a front isometric view of a lighting fixture according to the design;
FIG. 2 is a rear isometric view of the lighting fixture of FIG. 1;
FIG. 3 is a side view of the lighting fixture of FIG. 1;
FIG. 4 is a front view of the lighting fixture of FIG. 1; and,
FIG. 5 is a rear view of the lighting fixture of FIG. 1.
The broken lines in the drawings are for illustrative purposes only, and do not form part of the claimed design.

1 Claim, 5 Drawing Sheets



US D674,127 S

Page 2

U.S. PATENT DOCUMENTS

2008/0158887 A1 7/2008 Zhu et al.
2010/0164348 A1 7/2010 Huang et al.
2010/0226139 A1 9/2010 Lynch et al.
2010/0296272 A1 11/2010 Roos et al.

FOREIGN PATENT DOCUMENTS

FR 2909160 A1 5/2008
WO 2008036596 A1 3/2008
WO 2008061082 A2 5/2008
WO 2008067447 A1 6/2008
WO 2011037878 A1 3/2011

OTHER PUBLICATIONS

International Search Report for PCT/US2011/062992 mailed Apr. 2,
2012, 12 pages.

Non-final Office Action for U.S. Appl. No. 13/042,378 mailed Sep. 4,
2012, 20 pages.

* cited by examiner

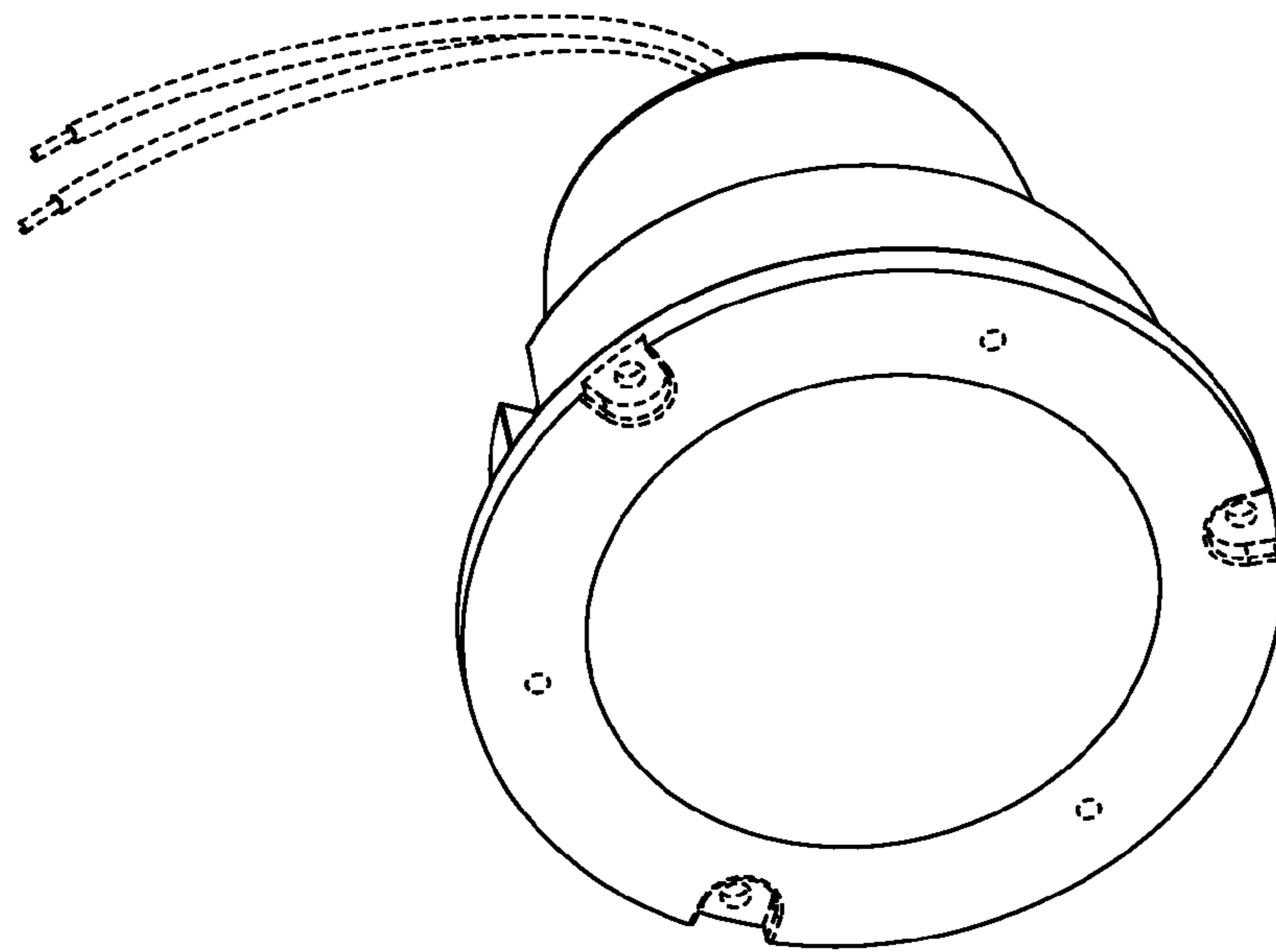


FIG. 1

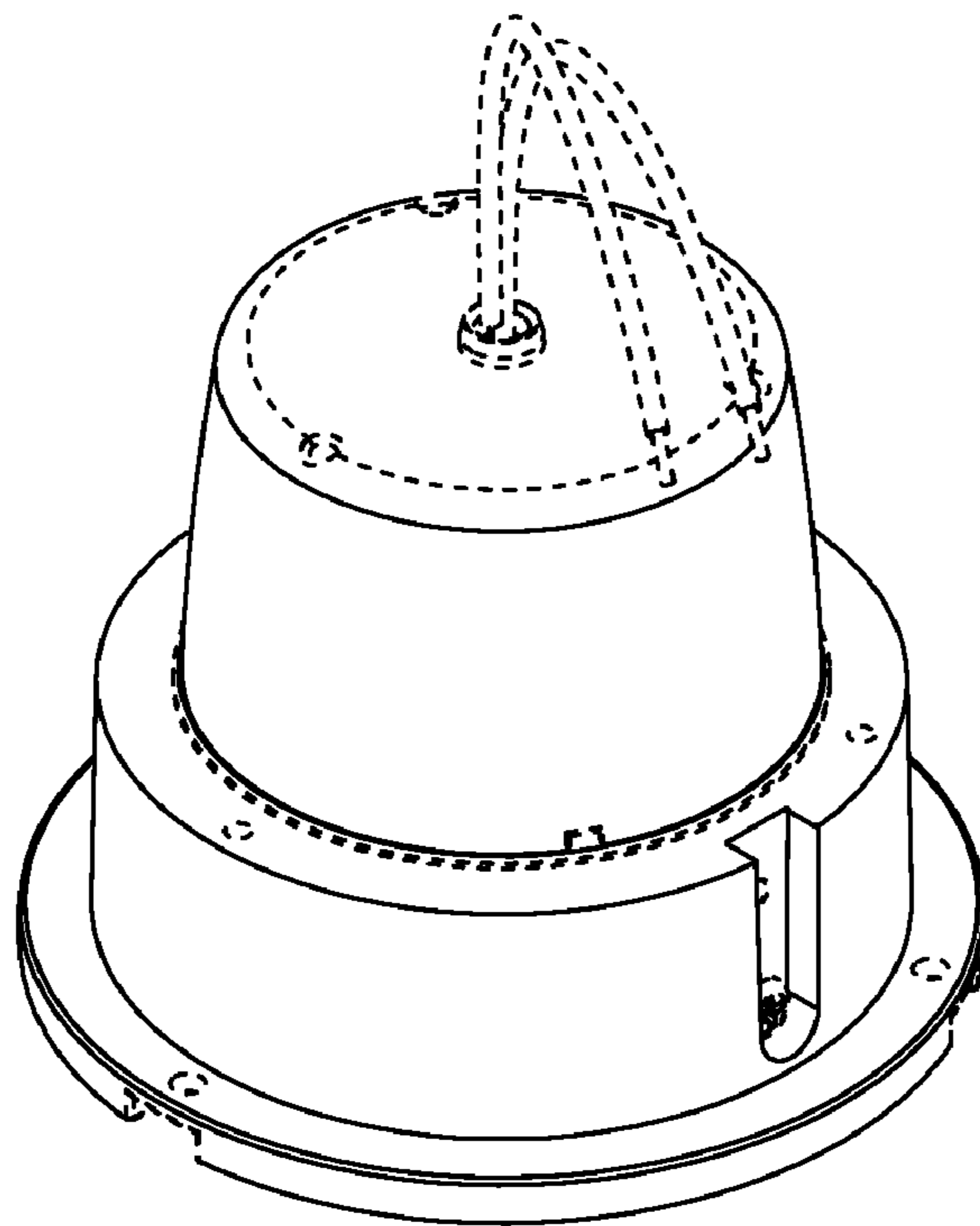


FIG. 2

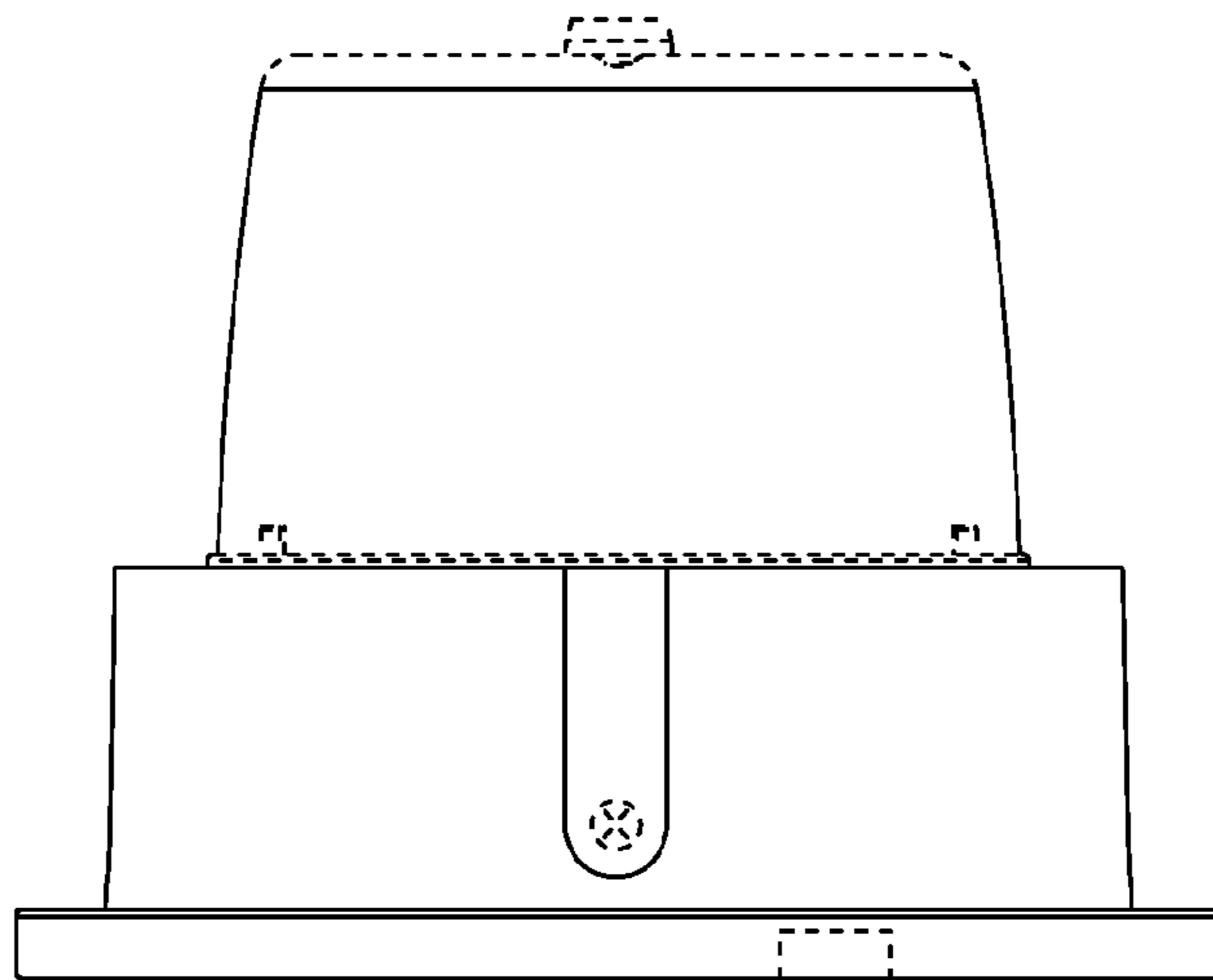


FIG. 3

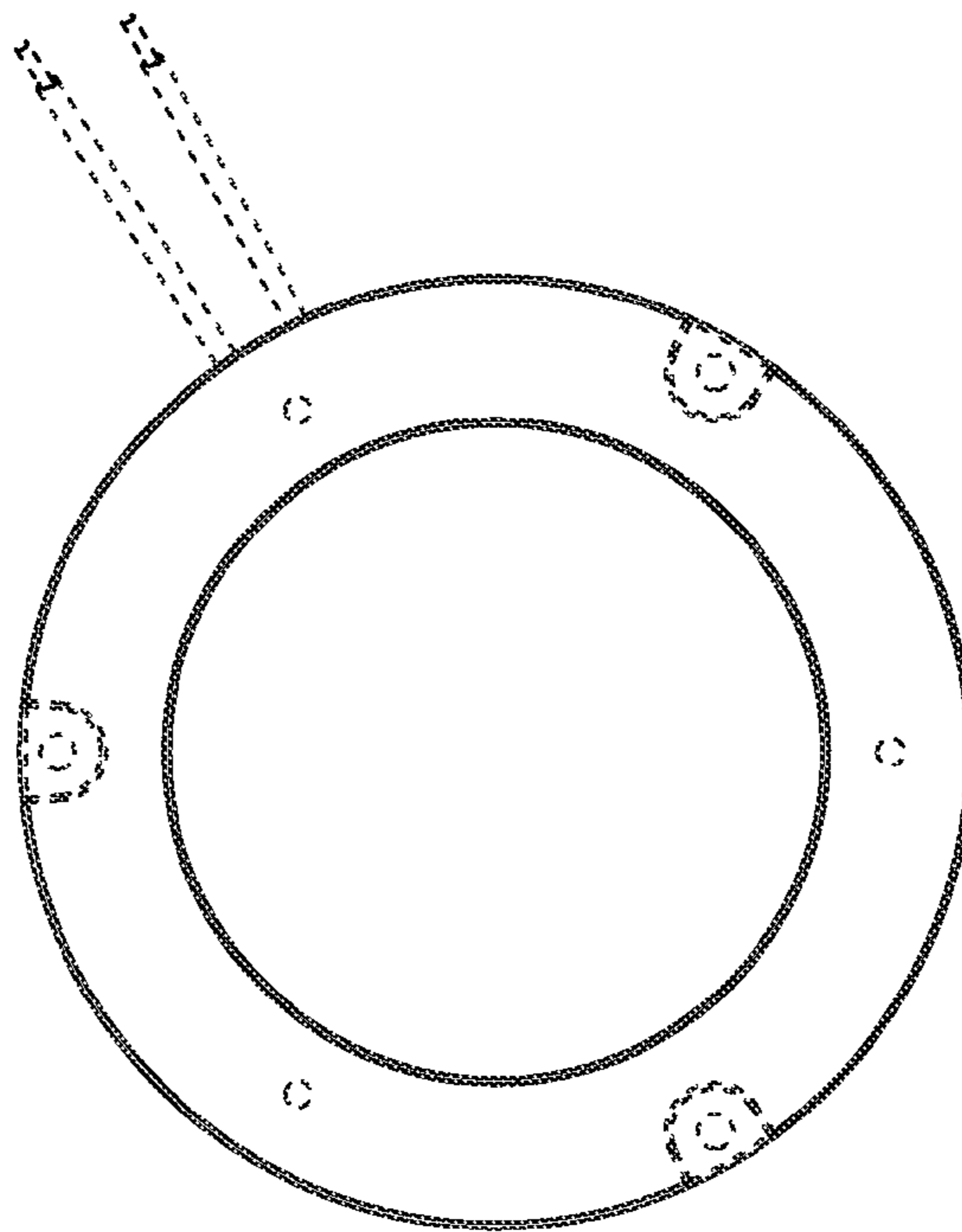


FIG. 4

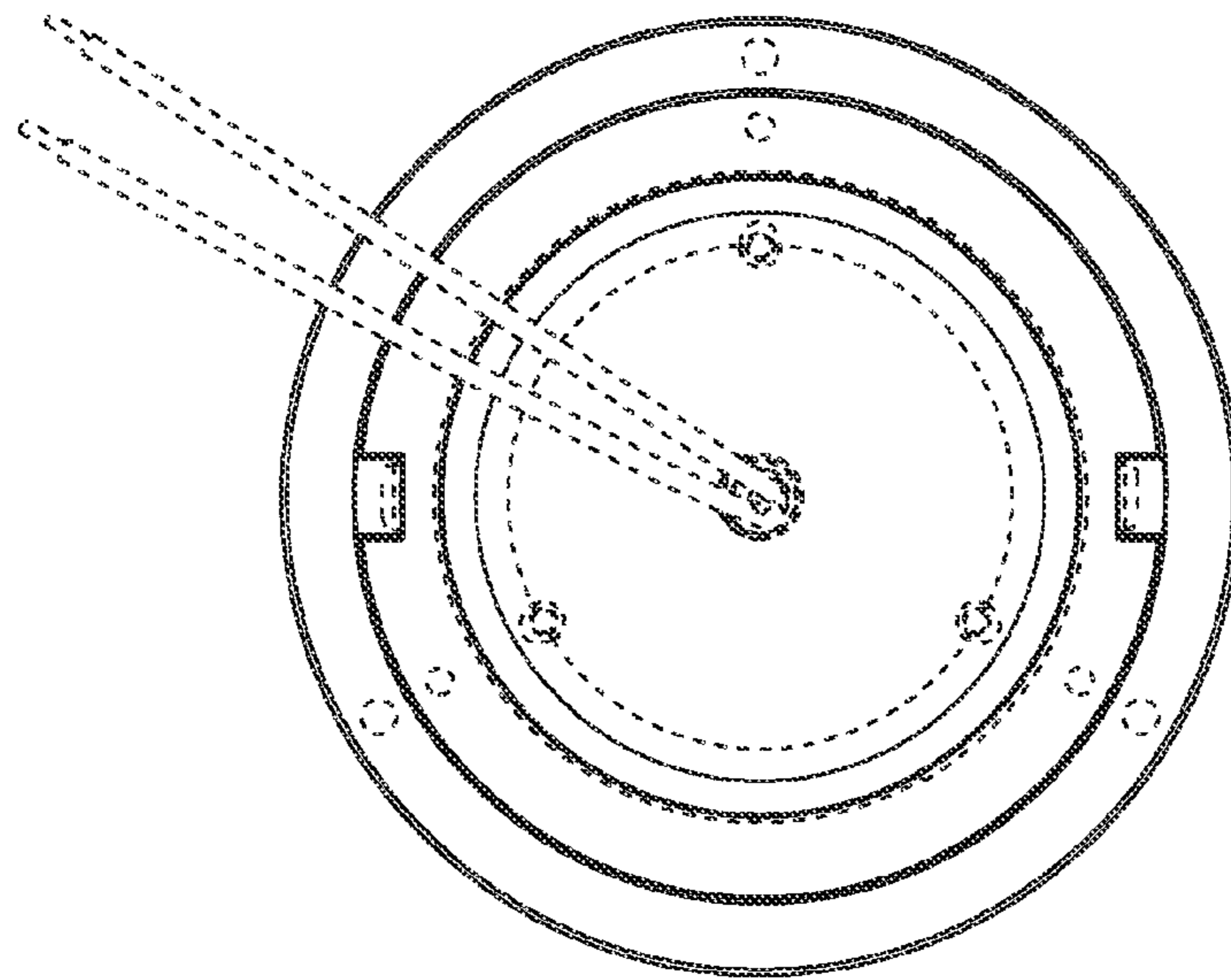


FIG. 5