



US00D674125S

(12) **United States Design Patent**
Davies

(10) **Patent No.:** **US D674,125 S**
(45) **Date of Patent:** **** Jan. 8, 2013**

(54) **ILLUMINATOR**

(75) Inventor: **Paul Davies**, Knoxfield (AU)

(73) Assignee: **Shin Chin Industrial Co., Ltd.**, Tainan (TW)

(**) Term: **14 Years**

(21) Appl. No.: **29/407,251**

(22) Filed: **Nov. 25, 2011**

(51) **LOC (9) Cl.** **26-02**

(52) **U.S. Cl.** **D26/28; D26/89**

(58) **Field of Classification Search** D26/28,
D26/36, 80, 89; 362/147, 488, 489, 490,
362/491, 492, 493

See application file for complete search history.

(56) **References Cited**

U.S. PATENT DOCUMENTS

2,149,635	A	*	3/1939	Shepard et al.	362/490
D209,696	S	*	12/1967	Neale	D26/28
D362,317	S	*	9/1995	Payne	D26/28
D437,950	S	*	2/2001	Moore	D26/28
D443,939	S	*	6/2001	Thomas	D26/28
D457,981	S	*	5/2002	Yeh	D26/76
D463,589	S	*	9/2002	Troyer et al.	D26/28
D512,790	S	*	12/2005	Handsaker et al.	D26/28
D518,203	S	*	3/2006	Phillips et al.	D26/28
D520,156	S	*	5/2006	Campagna	D26/28
D545,461	S	*	6/2007	Itaya et al.	D26/28
D545,981	S	*	7/2007	Main et al.	D26/28

D556,351	S	*	11/2007	Tsai	D26/28
D559,430	S	*	1/2008	Kuo	D26/89
D561,360	S	*	2/2008	Wang	D26/28
D561,361	S	*	2/2008	Pan et al.	D26/28
D578,681	S	*	10/2008	Huang	D26/28
D578,683	S	*	10/2008	Huang	D26/28
D630,354	S	*	1/2011	Stephens et al.	D26/28

* cited by examiner

Primary Examiner — Clare E Heflin

(74) *Attorney, Agent, or Firm* — Rosenberg, Klein & Lee

(57) **CLAIM**

The ornamental design for an illuminator, as shown and described.

DESCRIPTION

FIG. 1 is a perspective view of an illuminator showing my new design;

FIG. 2 is a front elevational view thereof;

FIG. 3 is a rear elevational view thereof;

FIG. 4 is a left side elevational view thereof;

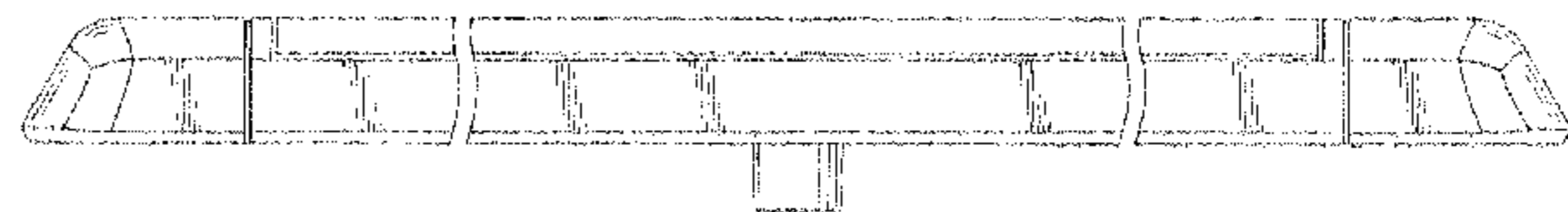
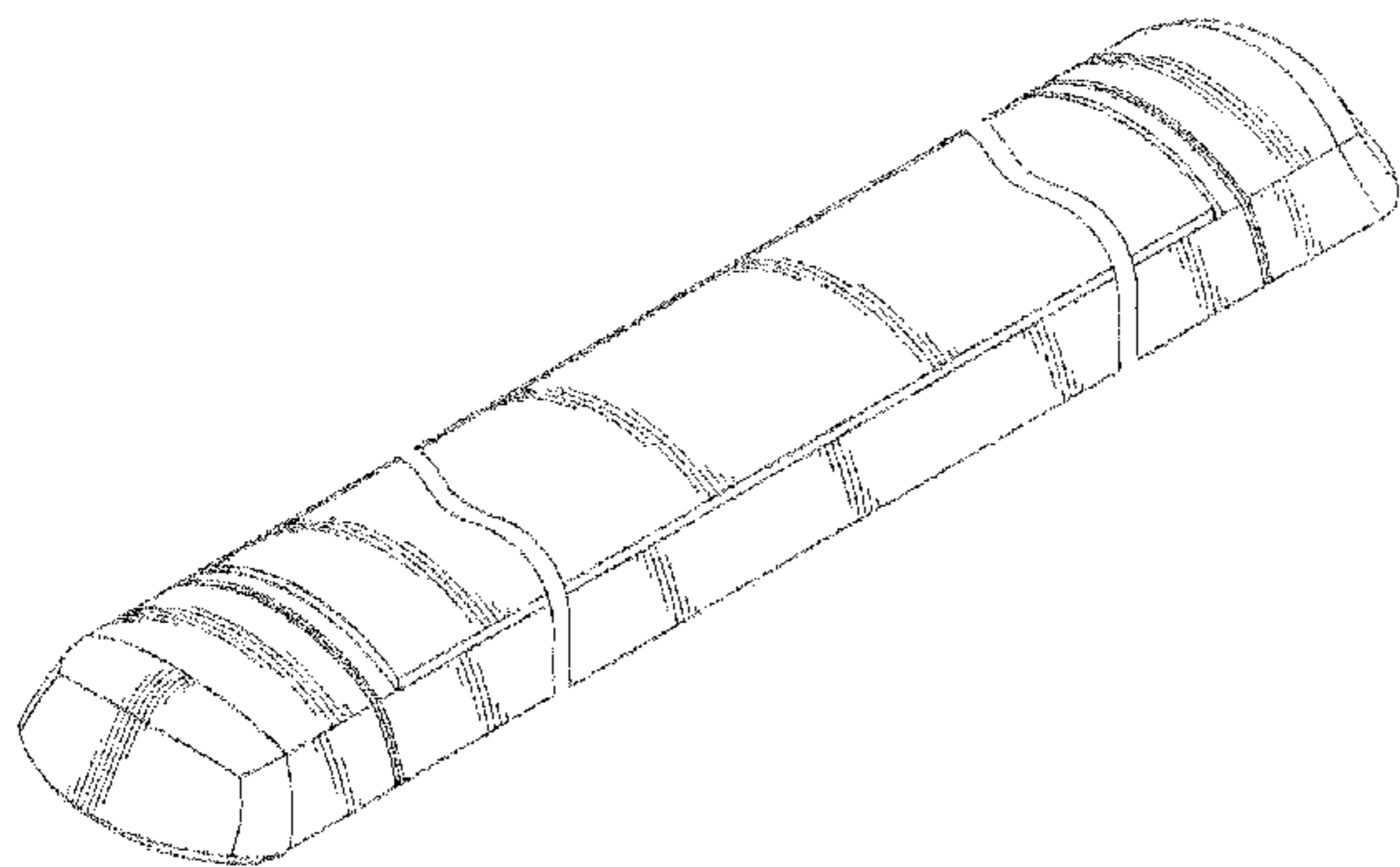
FIG. 5 is a right side elevational view thereof;

FIG. 6 is a top plan view thereof; and,

FIG. 7 is a bottom plan view thereof.

The broken lines shown on the drawings depict portions of the illuminator that form no part of the claimed design and the parts shown broken depict non-specific length.

1 Claim, 7 Drawing Sheets



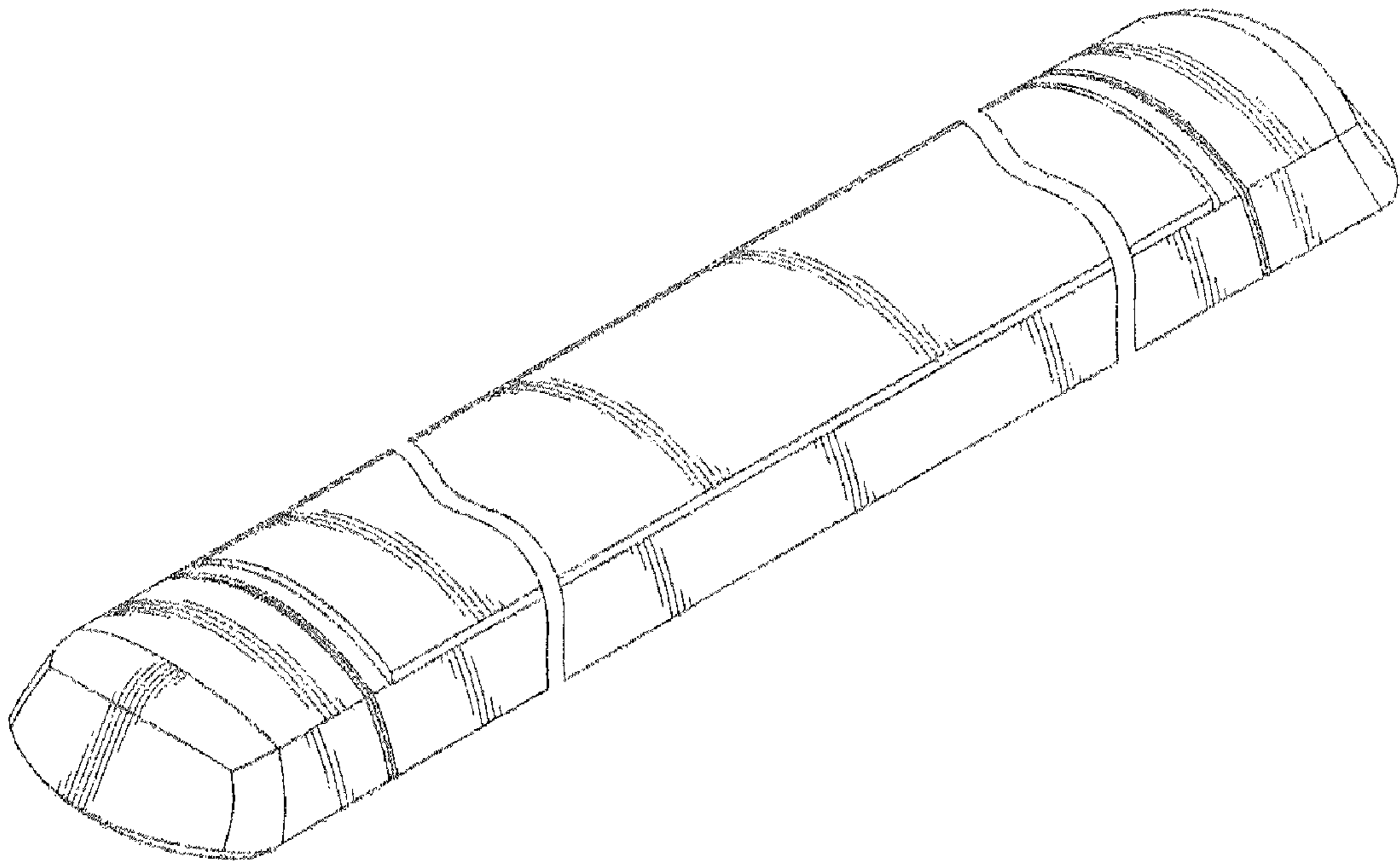


FIG. 1

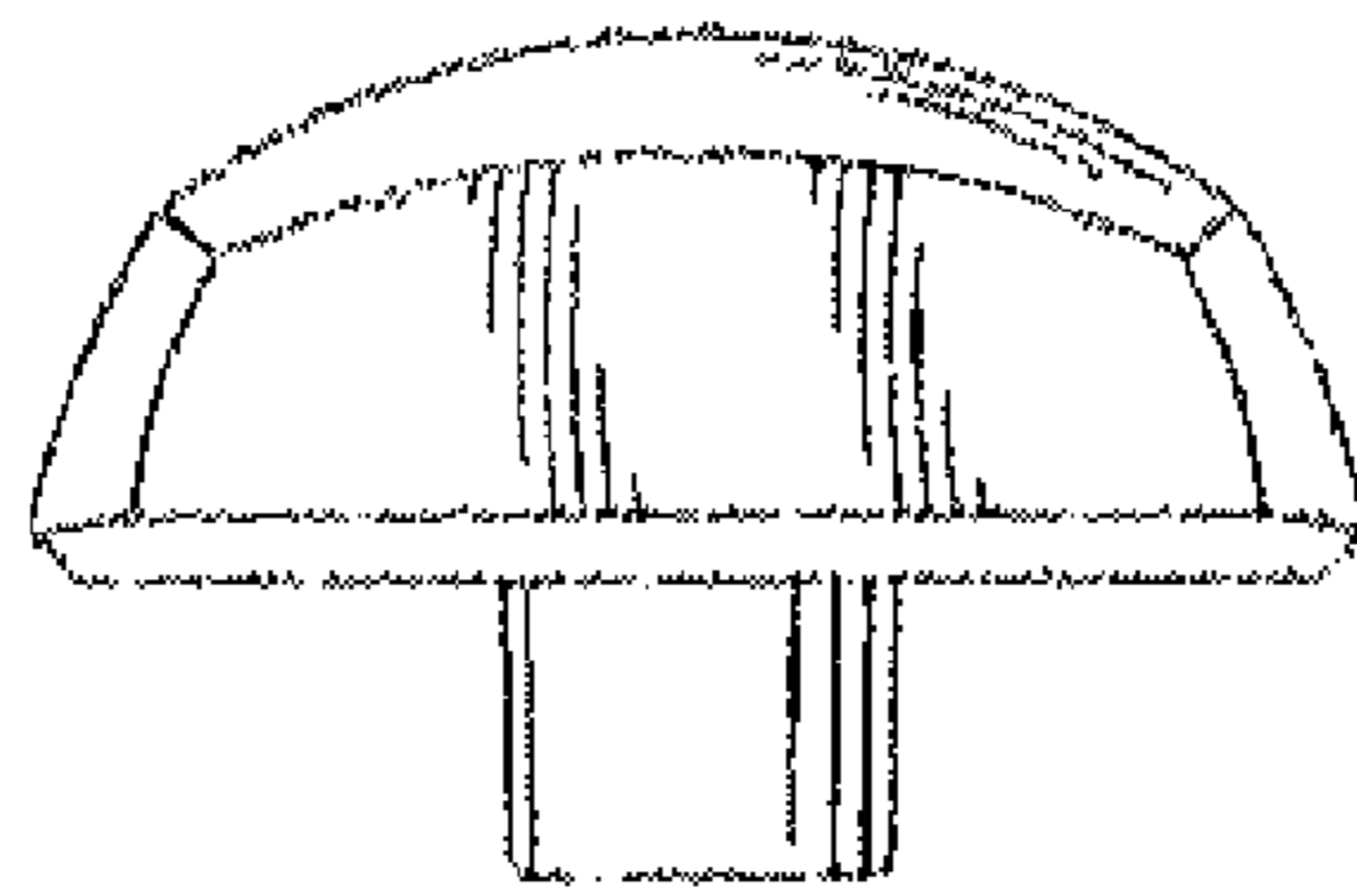


FIG. 2

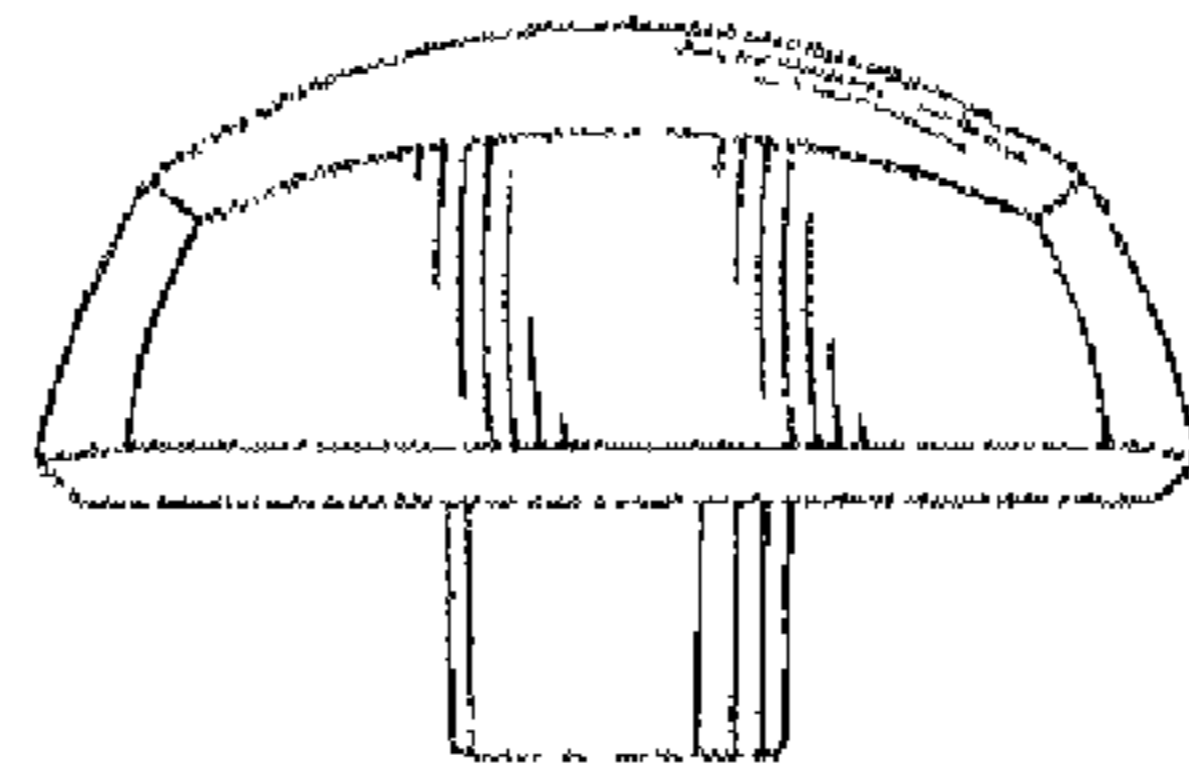


FIG. 3

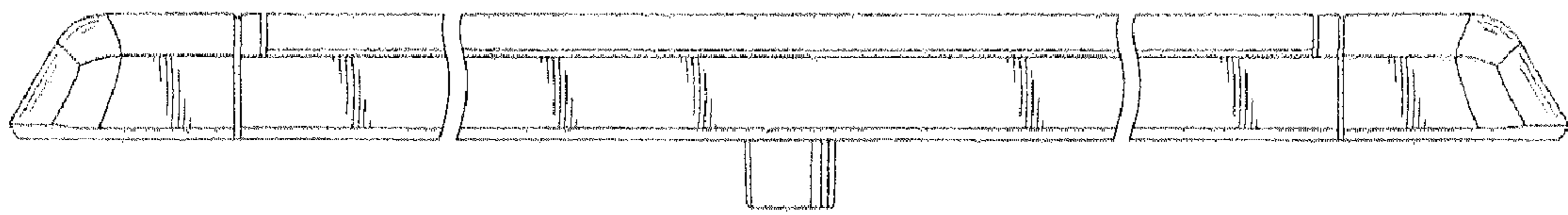


FIG. 4

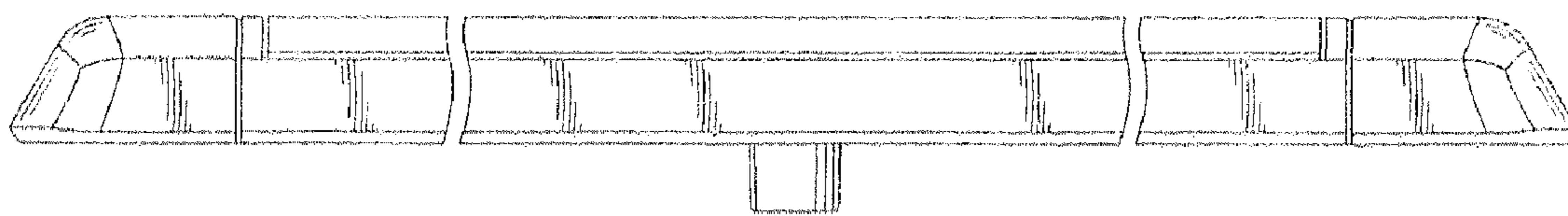


FIG. 5

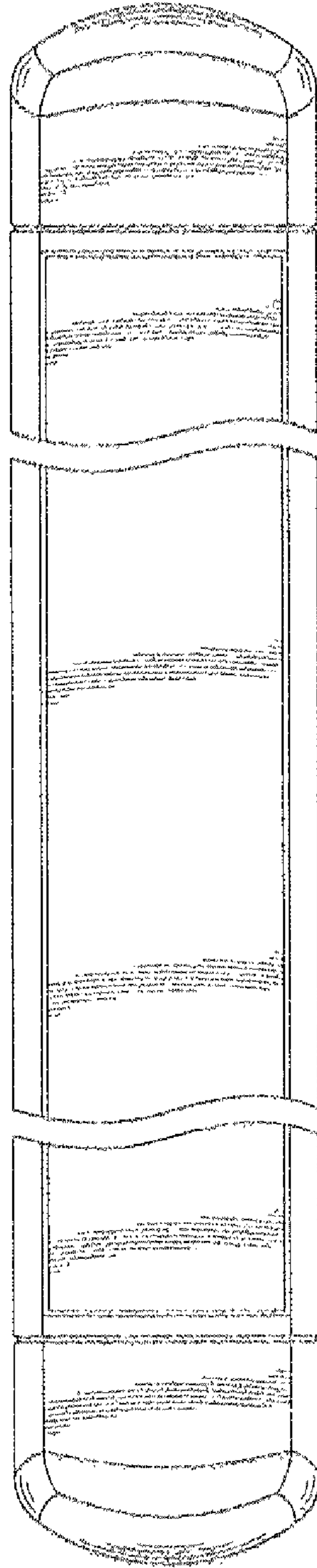


FIG. 6

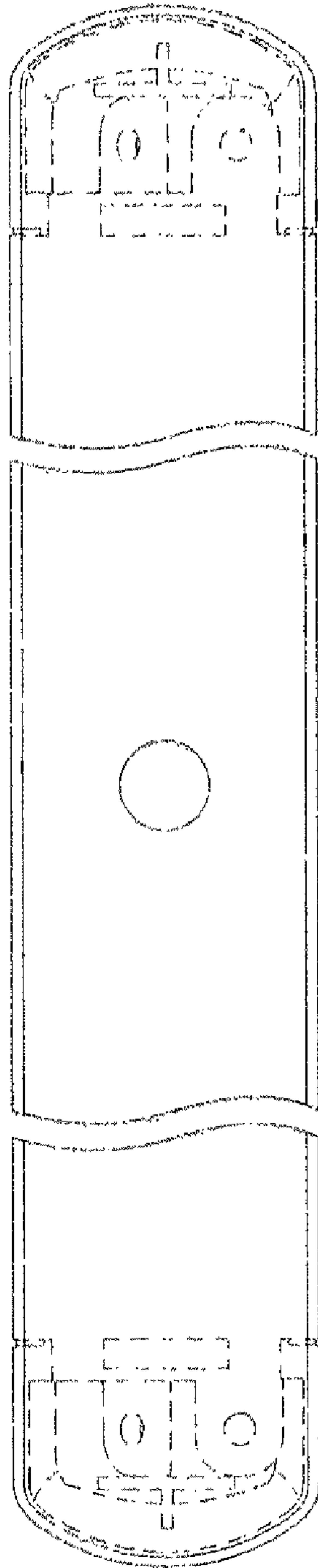


FIG. 7