



US00D674124S

(12) **United States Design Patent**  
**Huang**

(10) **Patent No.:** **US D674,124 S**  
(45) **Date of Patent:** **\*\* Jan. 8, 2013**

(54) **LAMP**  
(75) Inventor: **Kuo-Hao Huang**, Kaohsiung (TW)  
(73) Assignee: **SunonWealth Electric Machine Industry Co., Ltd.**, Kaohsiung (TW)

D545,457 S \* 6/2007 Chen ..... D26/2  
D551,784 S \* 9/2007 Krieglmeier et al. .... D26/2  
D572,385 S \* 7/2008 Mazzochette et al. .... D26/2  
D581,554 S \* 11/2008 To et al. .... D26/2  
7,575,343 B2 8/2009 Li et al.  
D599,920 S \* 9/2009 Pei et al. .... D26/2

\* cited by examiner

(\*\*) Term: **14 Years**  
(21) Appl. No.: **29/402,302**  
(22) Filed: **Sep. 22, 2011**

*Primary Examiner* — Marcus Jackson  
(74) *Attorney, Agent, or Firm* — Muncy, Geissler, Olds & Lowe, PLLC

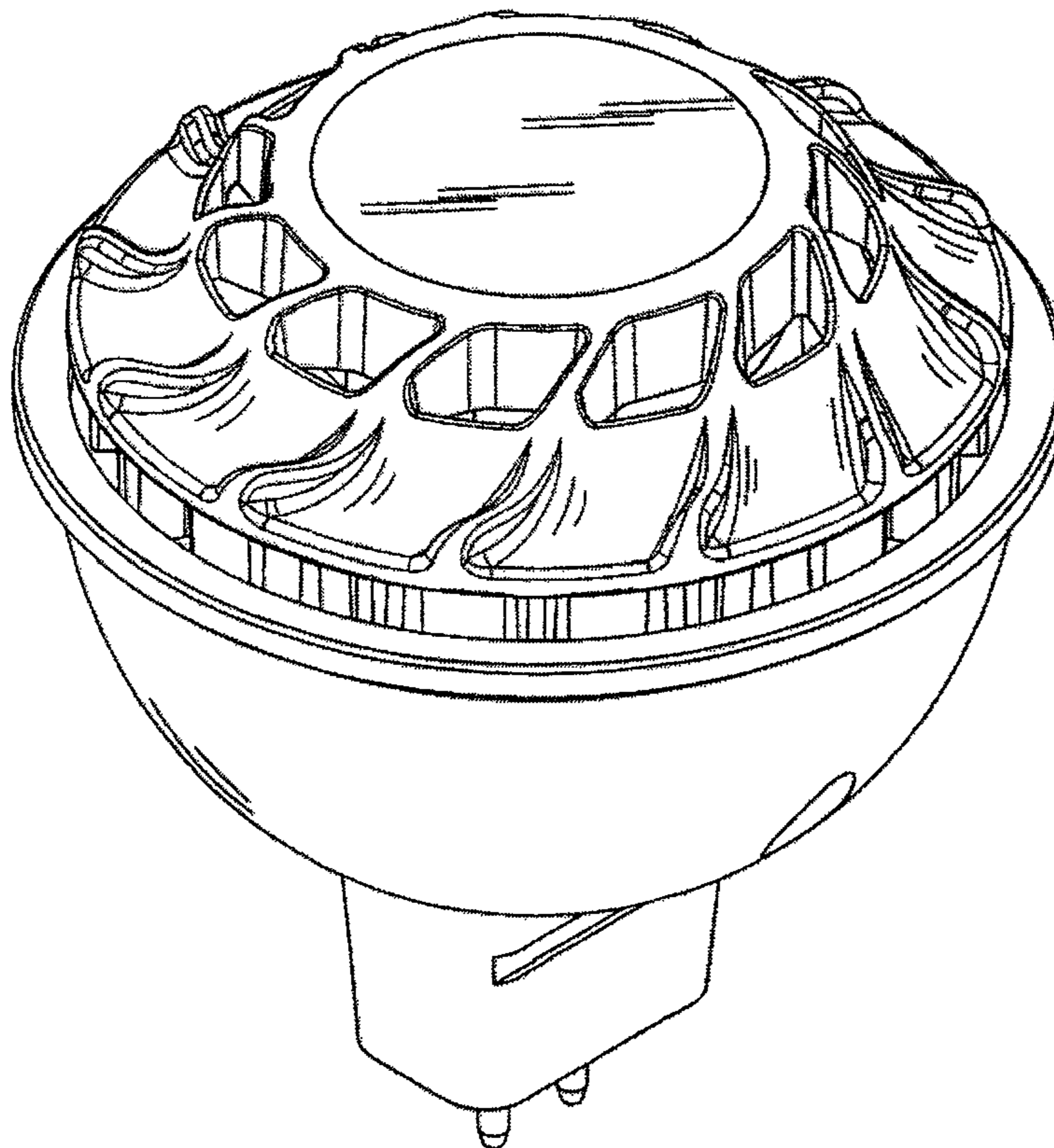
(30) **Foreign Application Priority Data**  
Aug. 19, 2011 (TW) ..... 100304299  
(51) **LOC (9) Cl.** ..... **26-04**  
(52) **U.S. Cl.** ..... **D26/2**  
(58) **Field of Classification Search** ..... D26/1-4;  
313/313, 315, 316, 317, 318, 493; 315/52,  
315/53, 56, 57, 58  
See application file for complete search history.

(57) **CLAIM**  
I claim the ornamental design for lamp, as shown in the accompanying drawings.

(56) **References Cited**  
**U.S. PATENT DOCUMENTS**  
6,644,834 B2 11/2003 Christen  
D530,836 S \* 10/2006 Johnson ..... D26/2

**DESCRIPTION**  
FIG. 1 is a perspective view of an embodiment of lamp showing my new design;  
FIG. 2 is a right side elevational view of the embodiment;  
FIG. 3 is a top plan view of the embodiment;  
FIG. 4 is a front elevational view of the embodiment;  
FIG. 5 is a bottom plan view of the embodiment;  
FIG. 6 is a left side elevational view of the embodiment; and,  
FIG. 7 is a rear elevational view of the embodiment.

**1 Claim, 4 Drawing Sheets**



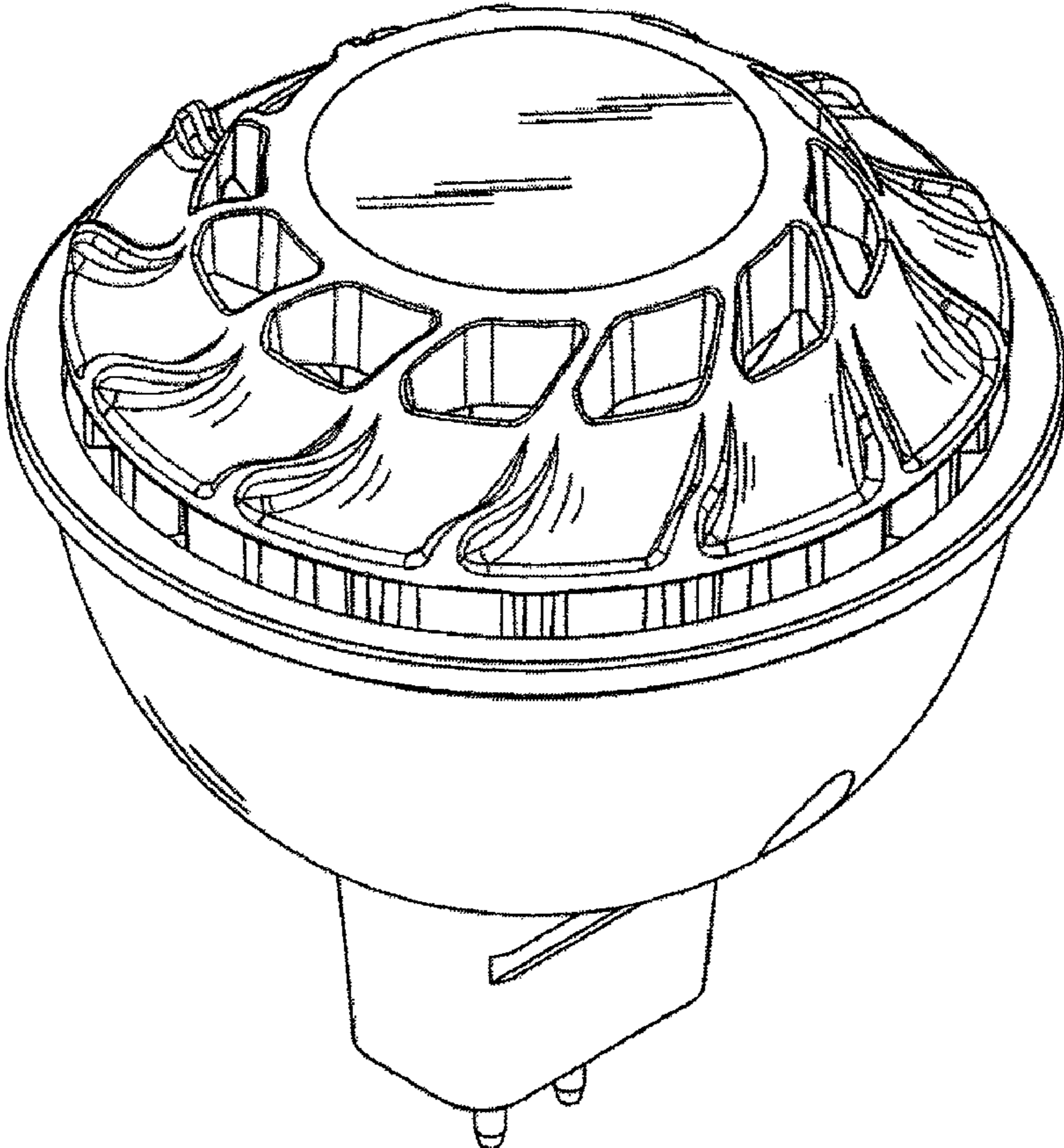


FIG. 1

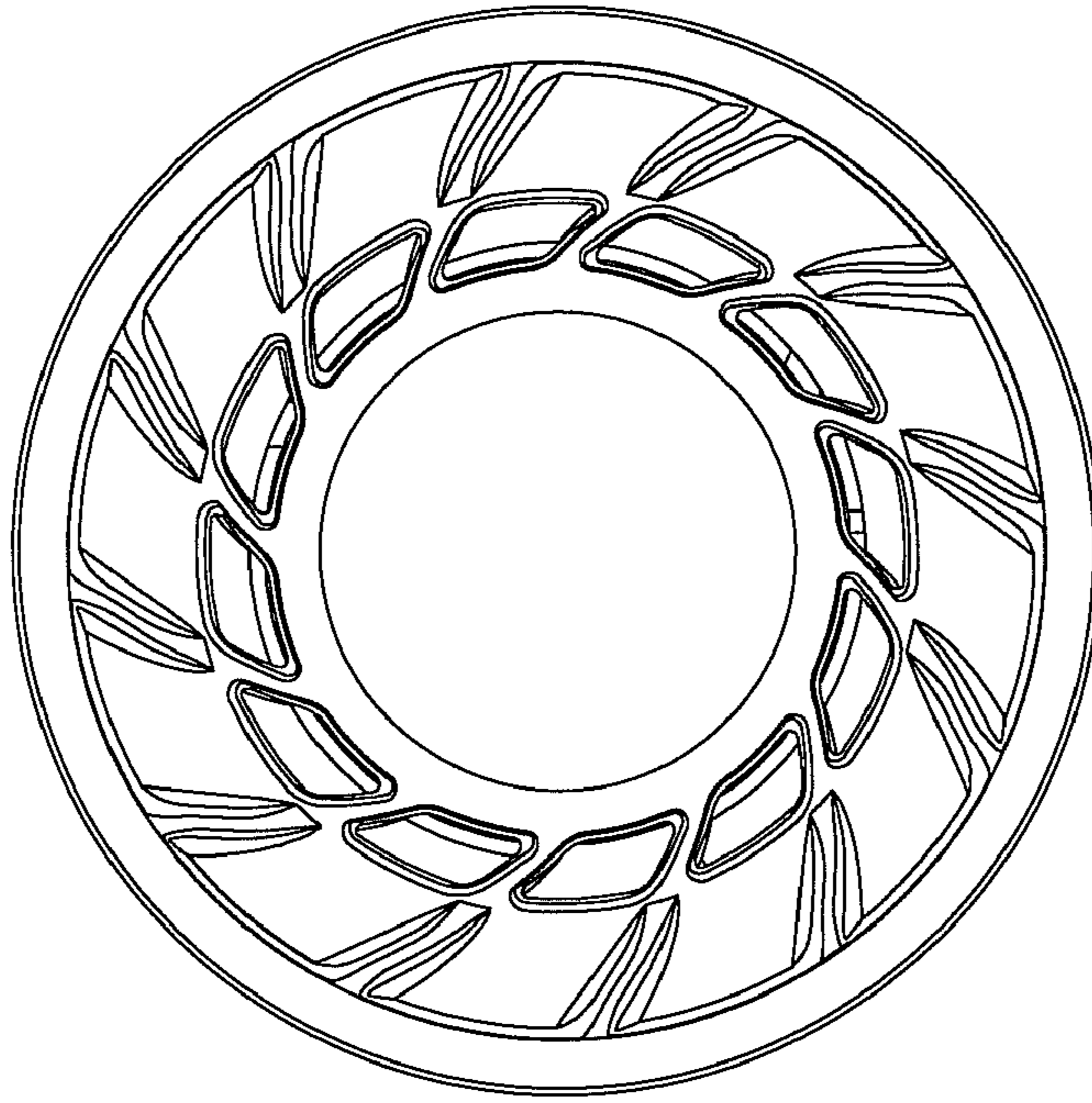


FIG. 3

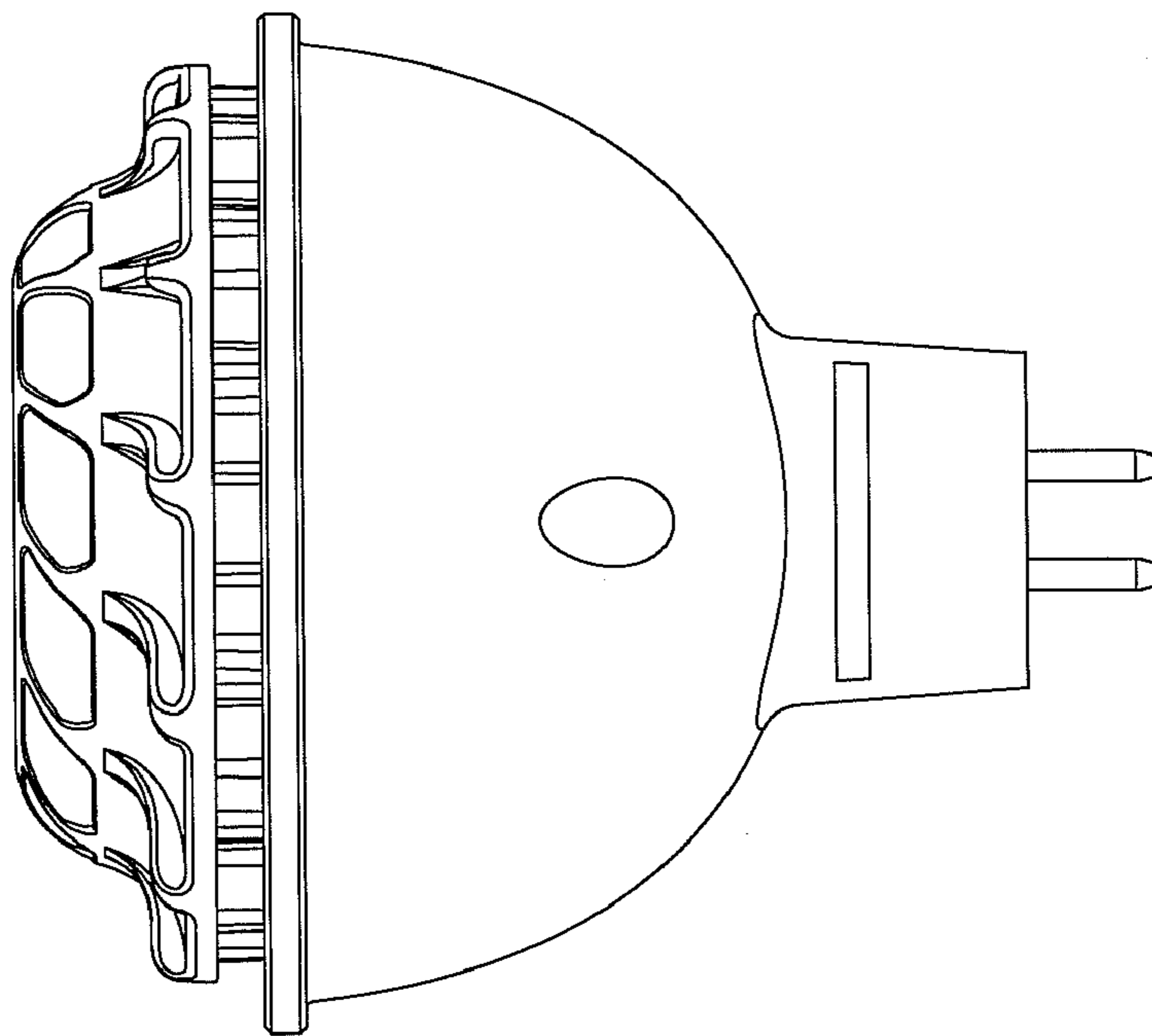


FIG. 2

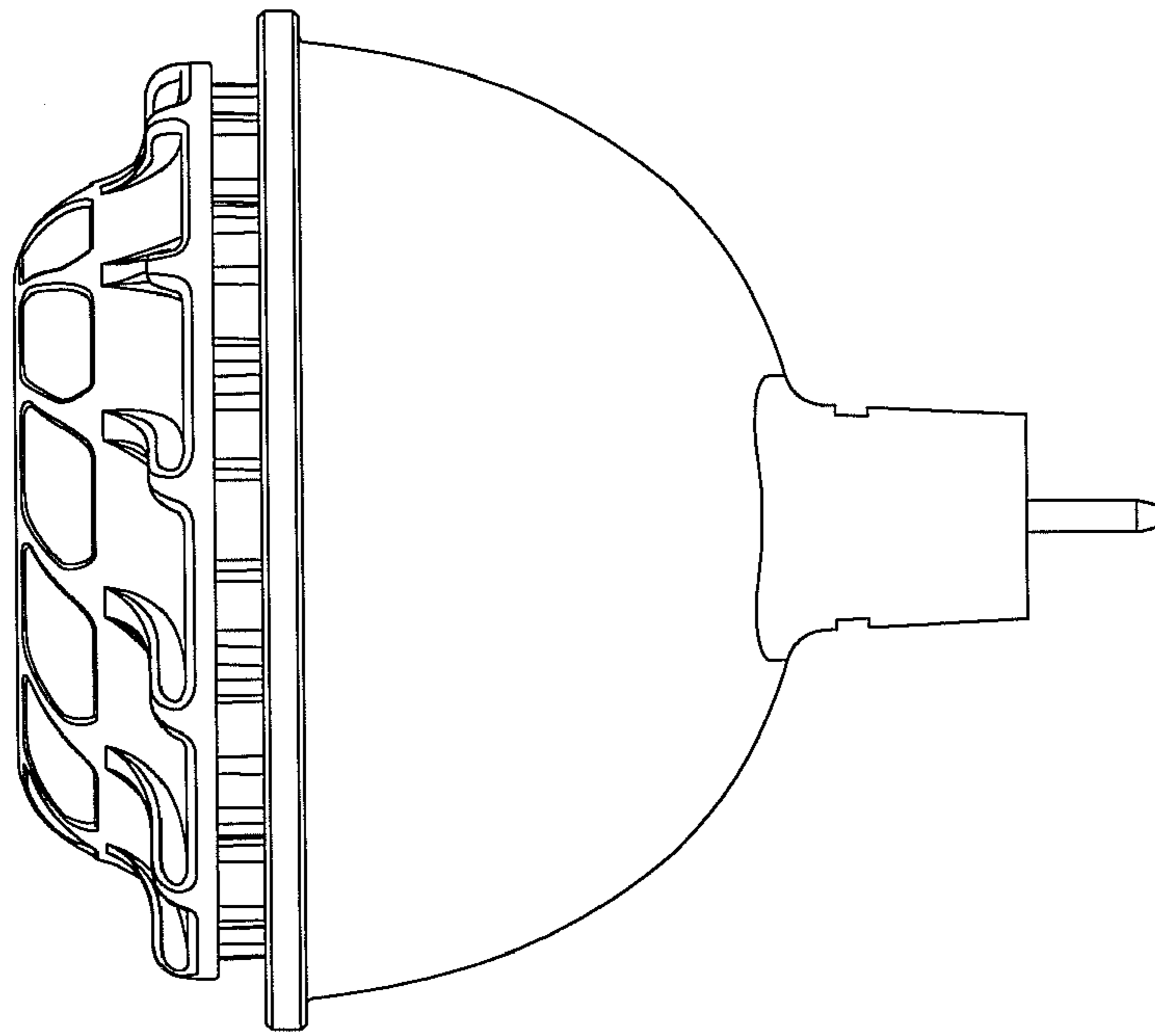


FIG. 4

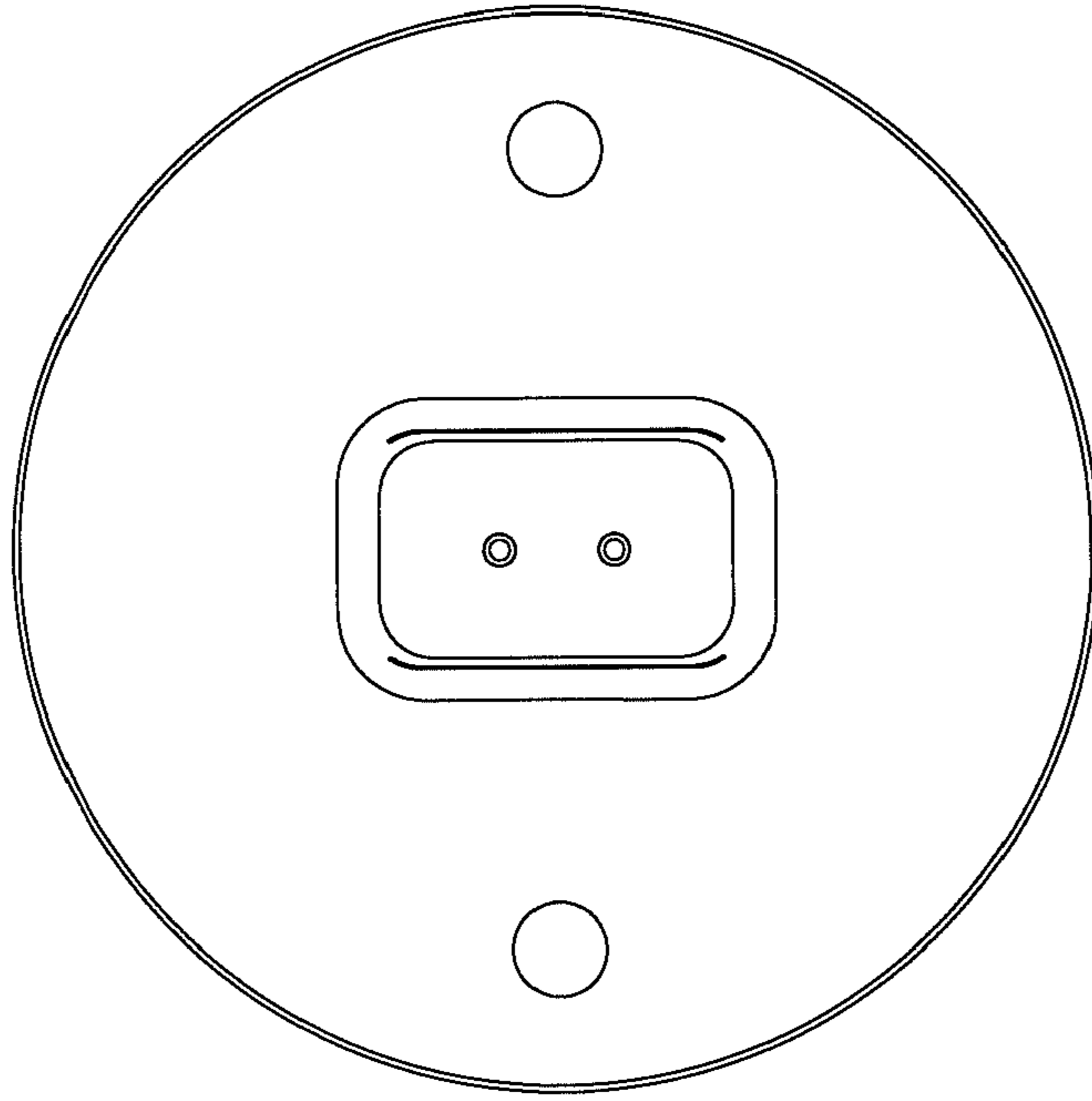


FIG. 5

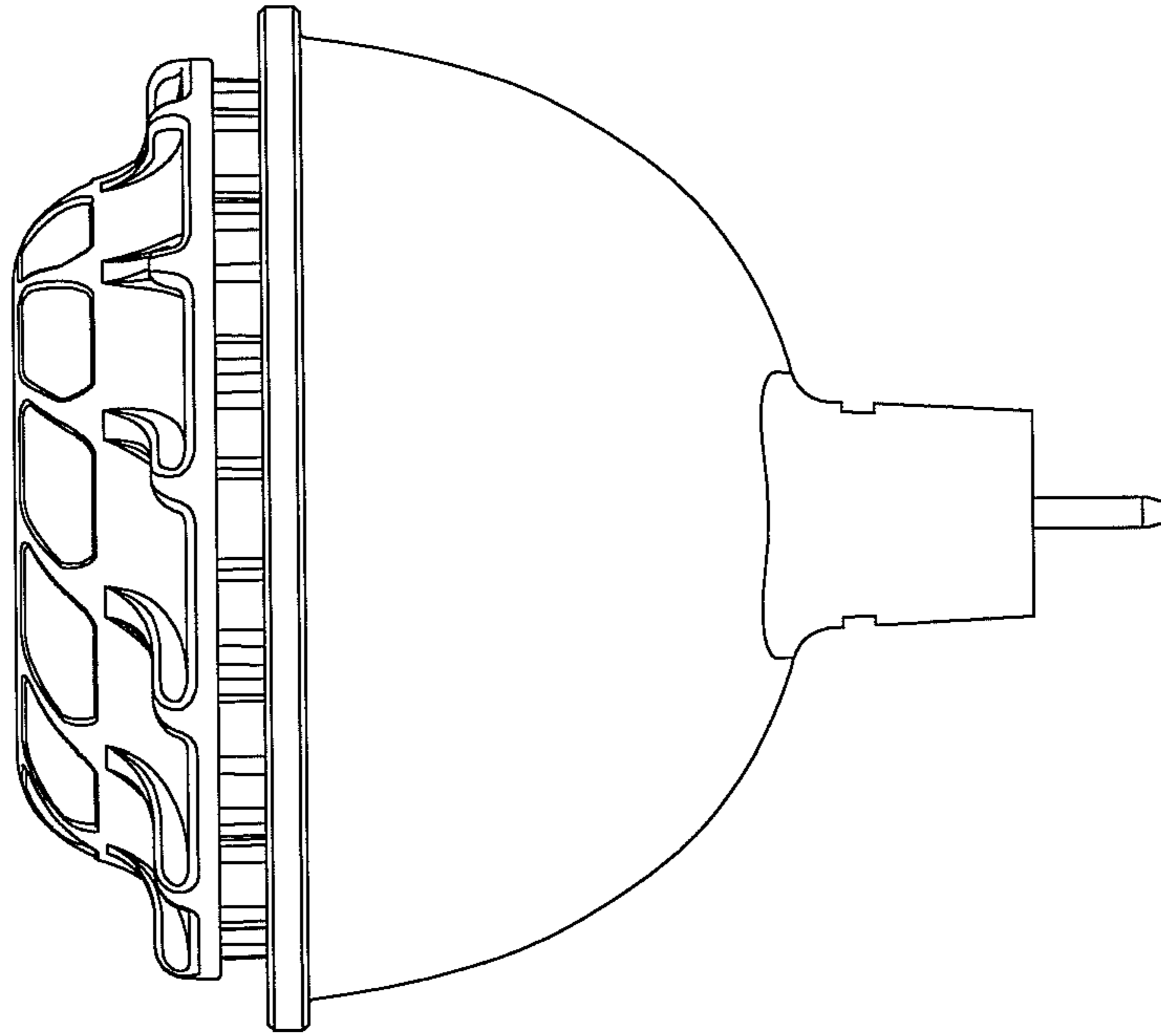


FIG. 6

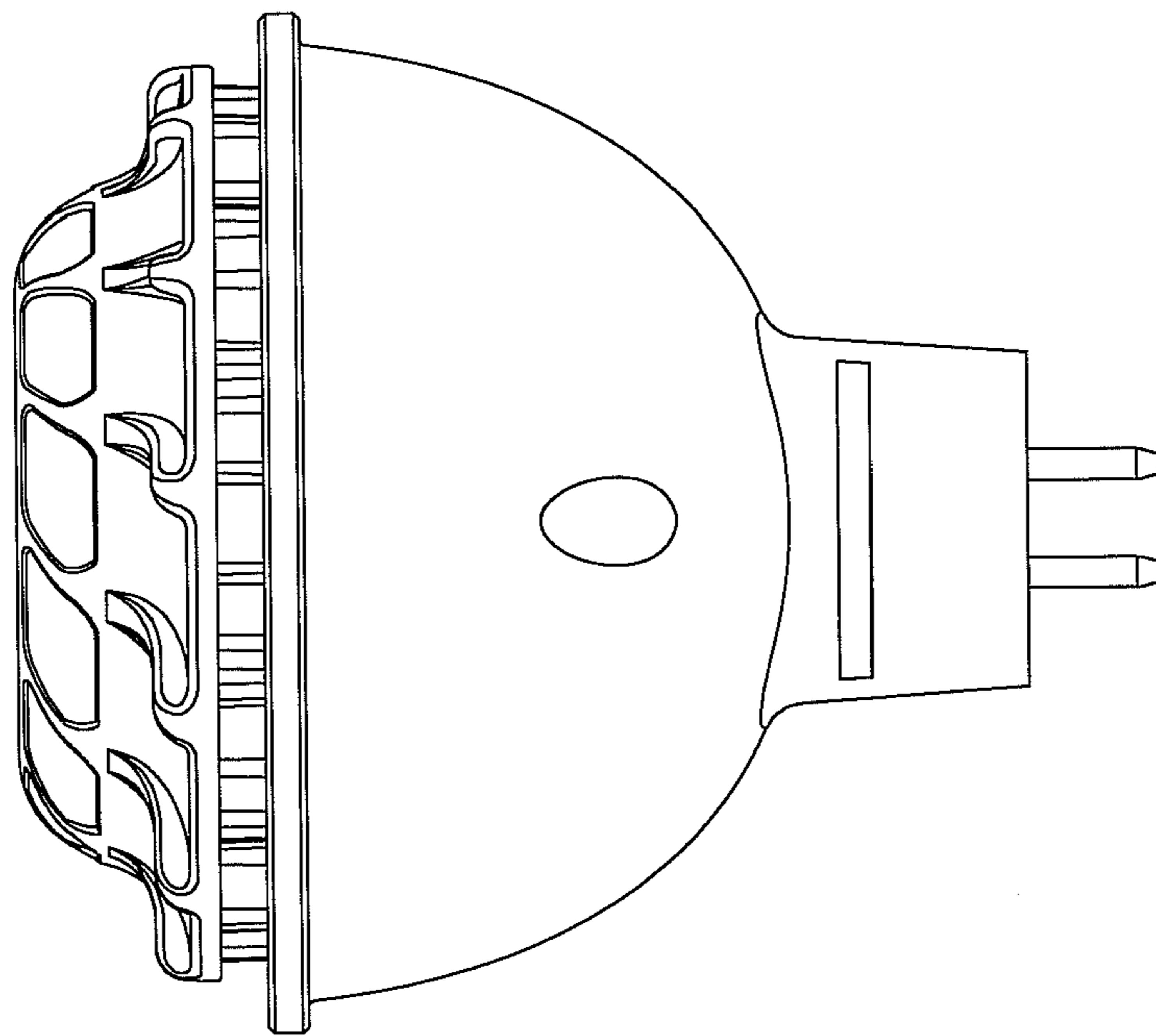


FIG. 7