



US00D674115S

(12) **United States Design Patent**
Merriam

(10) **Patent No.:** **US D674,115 S**
(45) **Date of Patent:** **** Jan. 8, 2013**

(54) **PERMEABLE PAVER BLOCK**

(75) Inventor: **Howard Merriam**, Minneapolis, MN
(US)

(73) Assignee: **Studio5051, LLC**, Minneapolis, MN
(US)

(**) Term: **14 Years**

(21) Appl. No.: **29/397,625**

(22) Filed: **Jul. 19, 2011**

(51) **LOC (9) Cl.** **25-01**

(52) **U.S. Cl.** **D25/113**

(58) **Field of Classification Search** D25/102-118,
D25/138, 152, 157-162, 164; D21/484-491,
D21/499-504; 405/16, 284, 286; 52/503-505,
52/574, 575, 596-612; 404/27-42

See application file for complete search history.

(56) **References Cited**

U.S. PATENT DOCUMENTS

D27,761	S	*	10/1897	Mark	D25/106
2,104,356	A	*	1/1938	Sanford	52/432
D319,108	S	*	8/1991	van Weerden et al.	D25/118
D319,316	S	*	8/1991	van Weerden et al.	D25/118
5,348,417	A	*	9/1994	Scheiwiller	404/41
D547,882	S	*	7/2007	Metten	D25/113

* cited by examiner

Primary Examiner — Anhdao Doan

(74) *Attorney, Agent, or Firm* — Fredrikson & Byron, P.A.

(57) **CLAIM**

I claim the ornamental design for a permeable paver block, as shown and described.

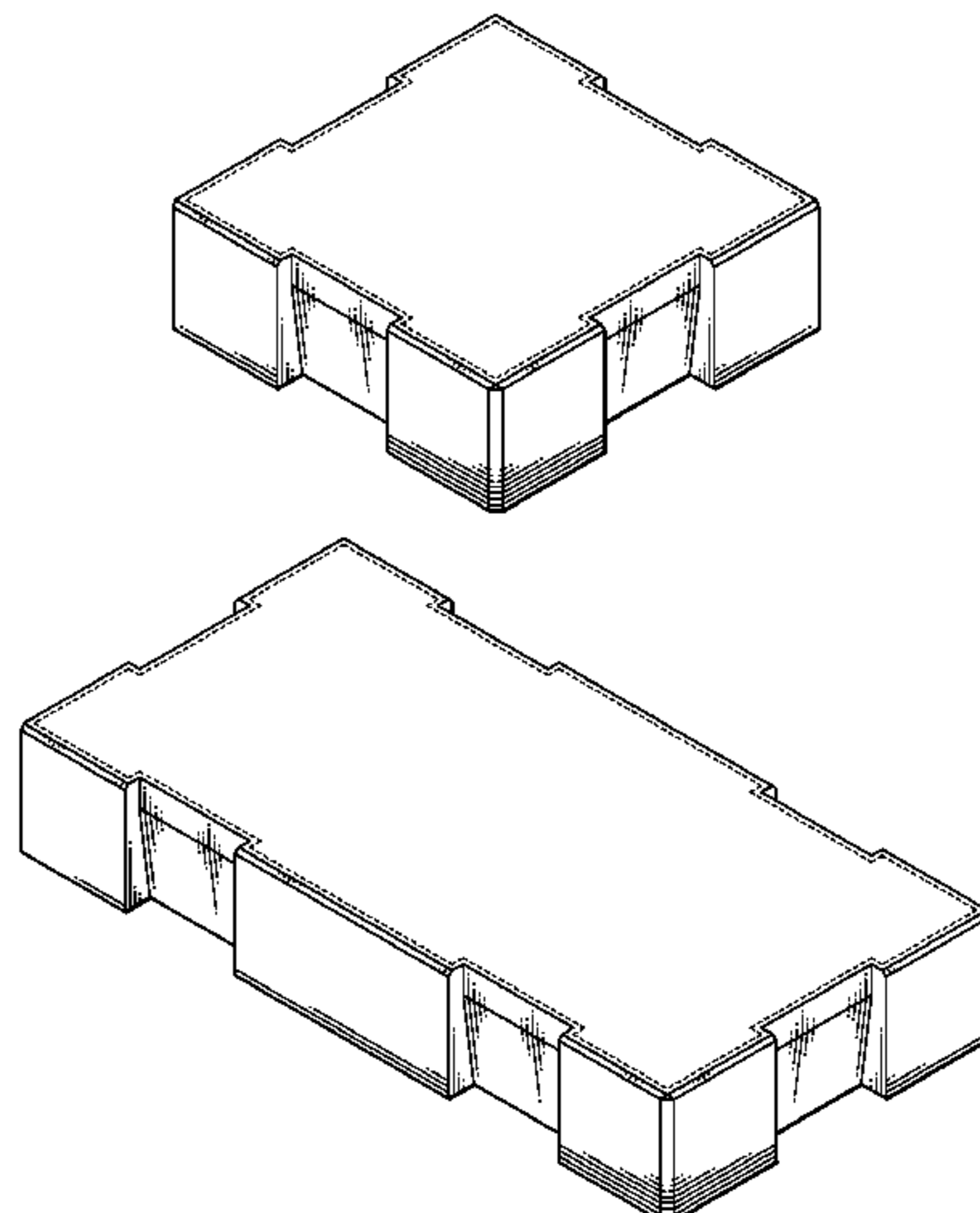
DESCRIPTION

FIG. 1 is a perspective view of a first embodiment of the permeable paver block of my design;

FIG. 2 is a top plan view thereof;
 FIG. 3 is a bottom plan view thereof;
 FIG. 4 is an elevation view of one of the ends thereof, all the other ends being a mirror image;
 FIG. 5 is a sectional view thereof taken along line 5-5 in FIG. 2;
 FIG. 6 is a perspective view of a second embodiment of the permeable paver block of my design;
 FIG. 7 is a top plan view thereof;
 FIG. 8 is a bottom plan view thereof;
 FIG. 9 is an elevation view of one of the sides thereof, the opposite side being a mirror image;
 FIG. 10 is an elevation view of one of the ends thereof, the opposite end being a mirror image;
 FIG. 11 is a sectional view thereof taken along line 11-11 in FIG. 7;
 FIG. 12 is a perspective view of a third embodiment of the permeable paver block of my design;
 FIG. 13 is a top plan view thereof;
 FIG. 14 is a bottom plan view thereof;
 FIG. 15 is an elevation view of one of the ends thereof, all the other ends being a mirror image;
 FIG. 16 is a sectional view thereof taken along line 16-16 in FIG. 13;
 FIG. 17 is a perspective view of a fourth embodiment of the permeable paver block of my design;
 FIG. 18 is a top plan view thereof;
 FIG. 19 is a bottom plan view thereof;
 FIG. 20 is an elevation view of one of the sides thereof, the opposite side being a mirror image;
 FIG. 21 is an elevation view of one of the ends thereof, the opposite end being a mirror image; and,
 FIG. 22 is a sectional view thereof taken along line 22-22 in FIG. 18.

The broken lines in the drawing views represent the bounds of the claim and form no part of the claimed design.

1 Claim, 13 Drawing Sheets



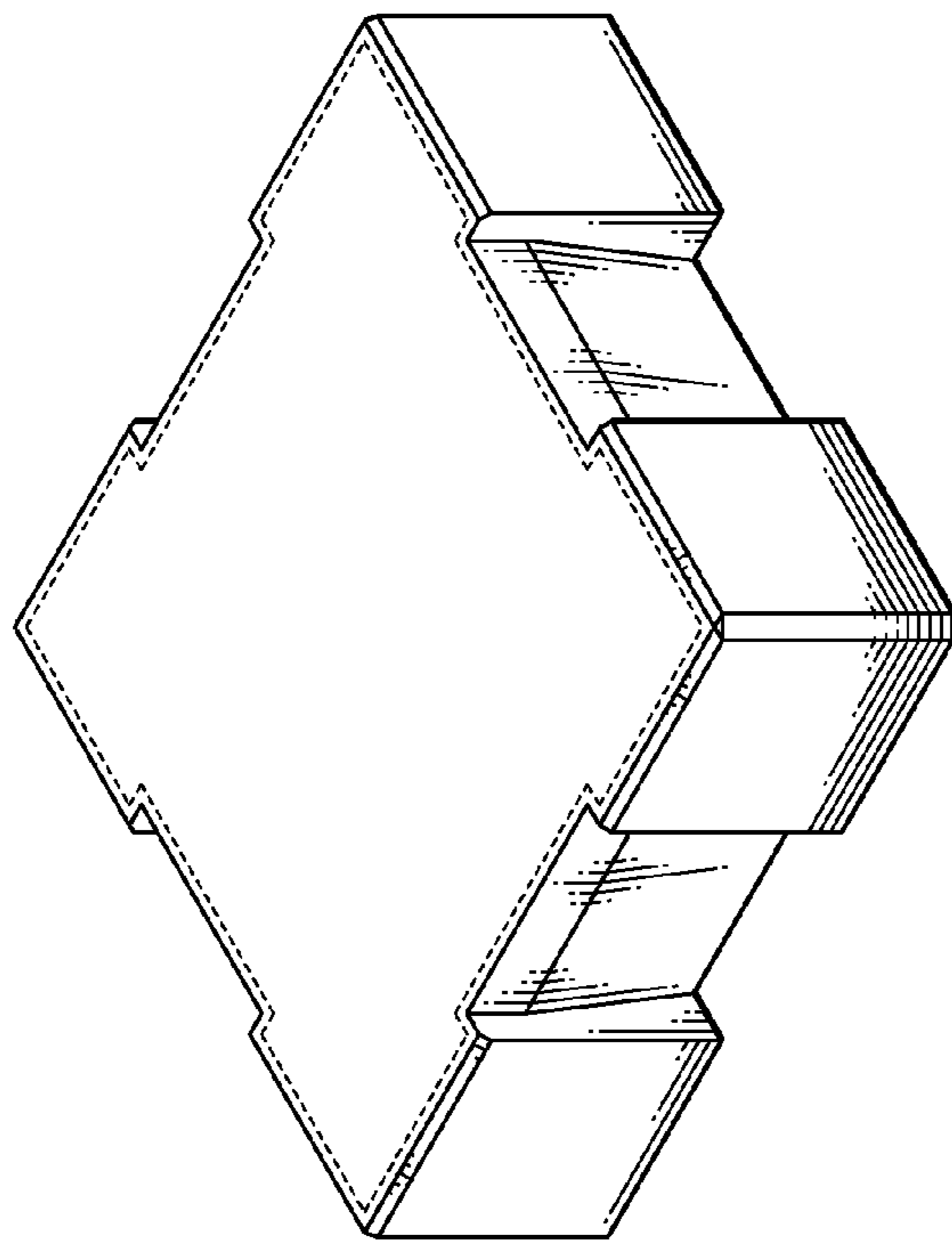


FIG. 1

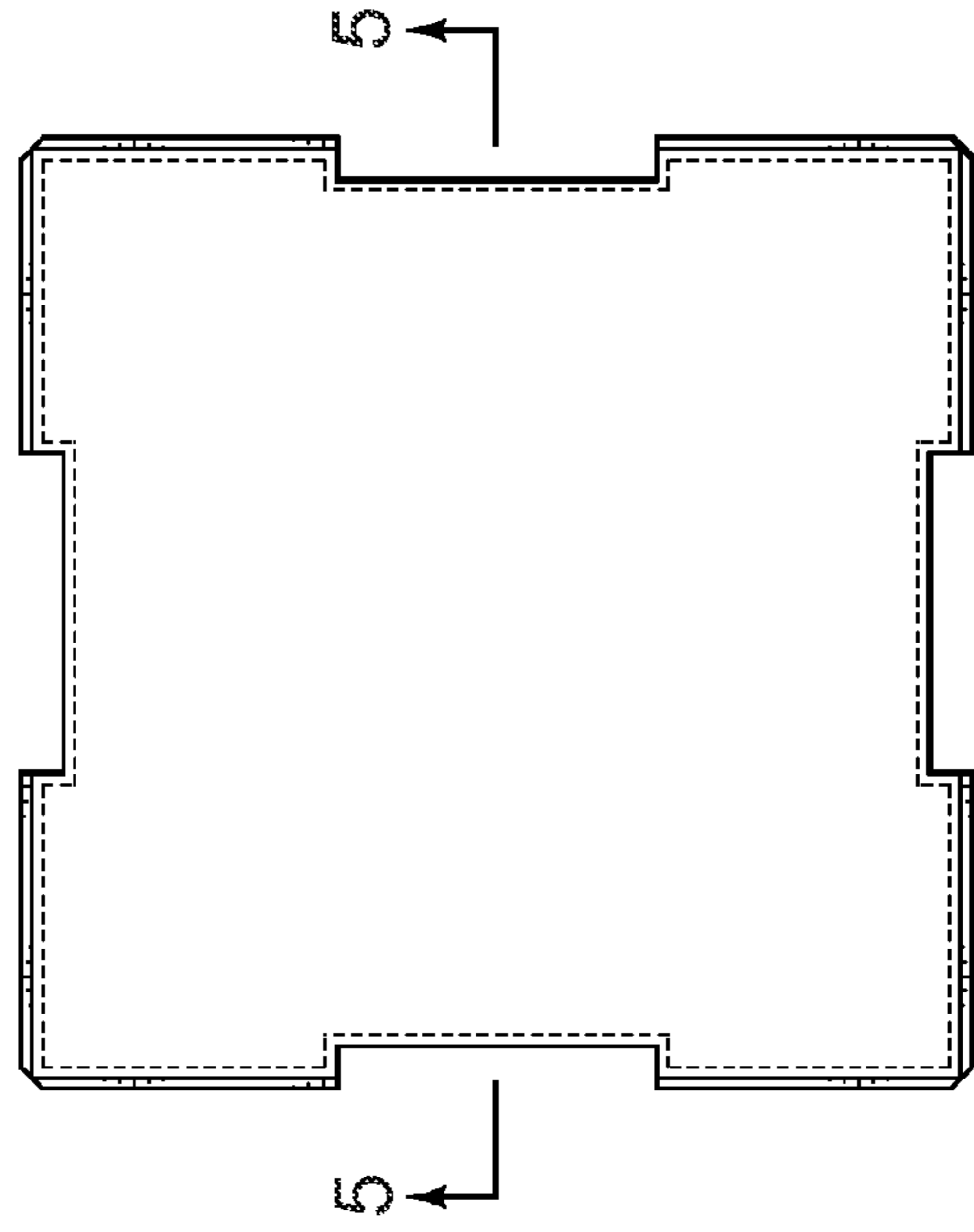


FIG. 2

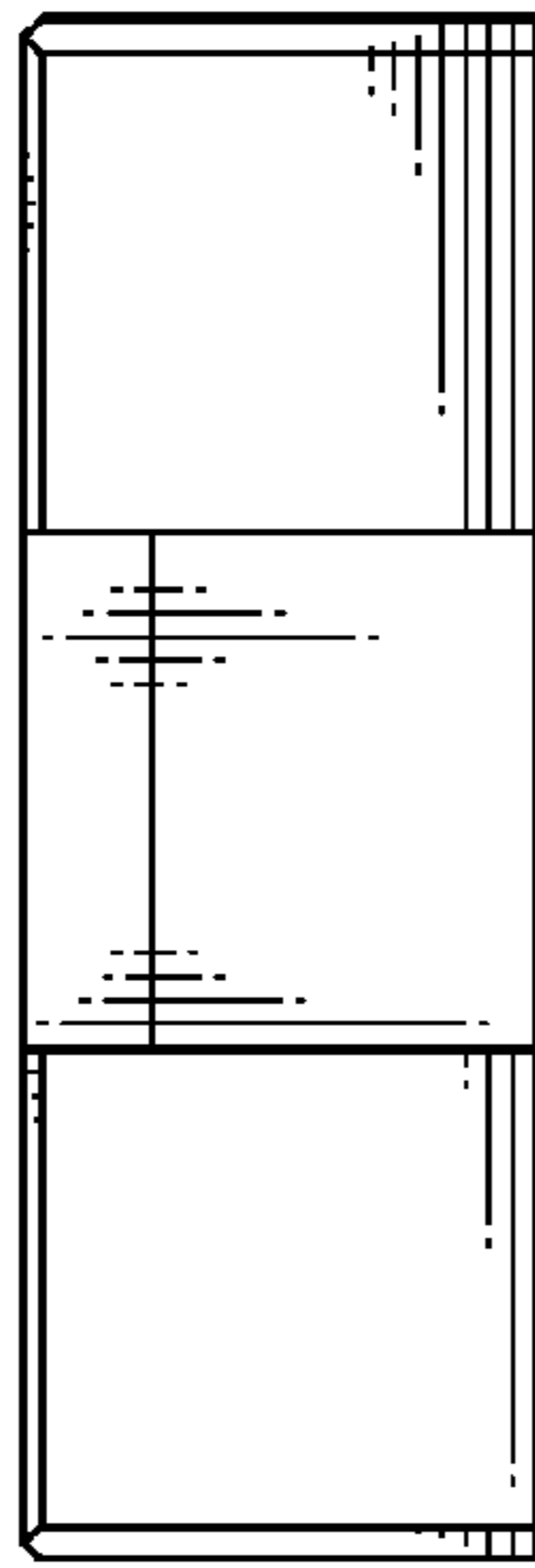


FIG. 4

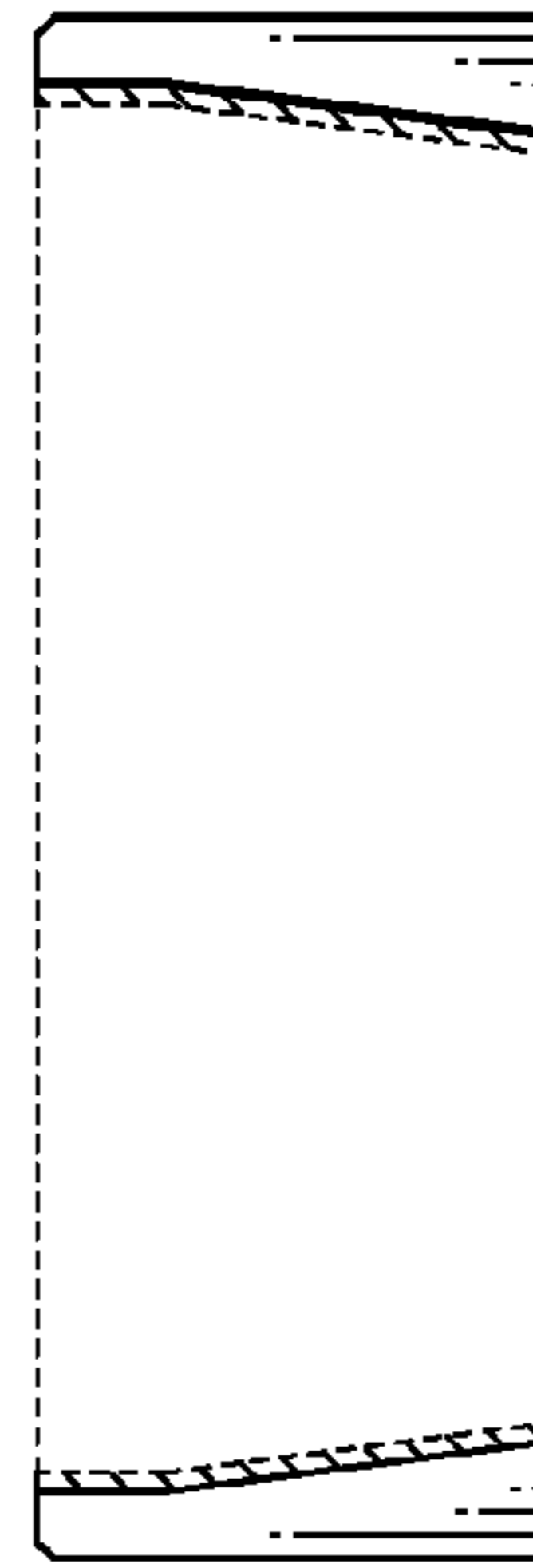


FIG. 5

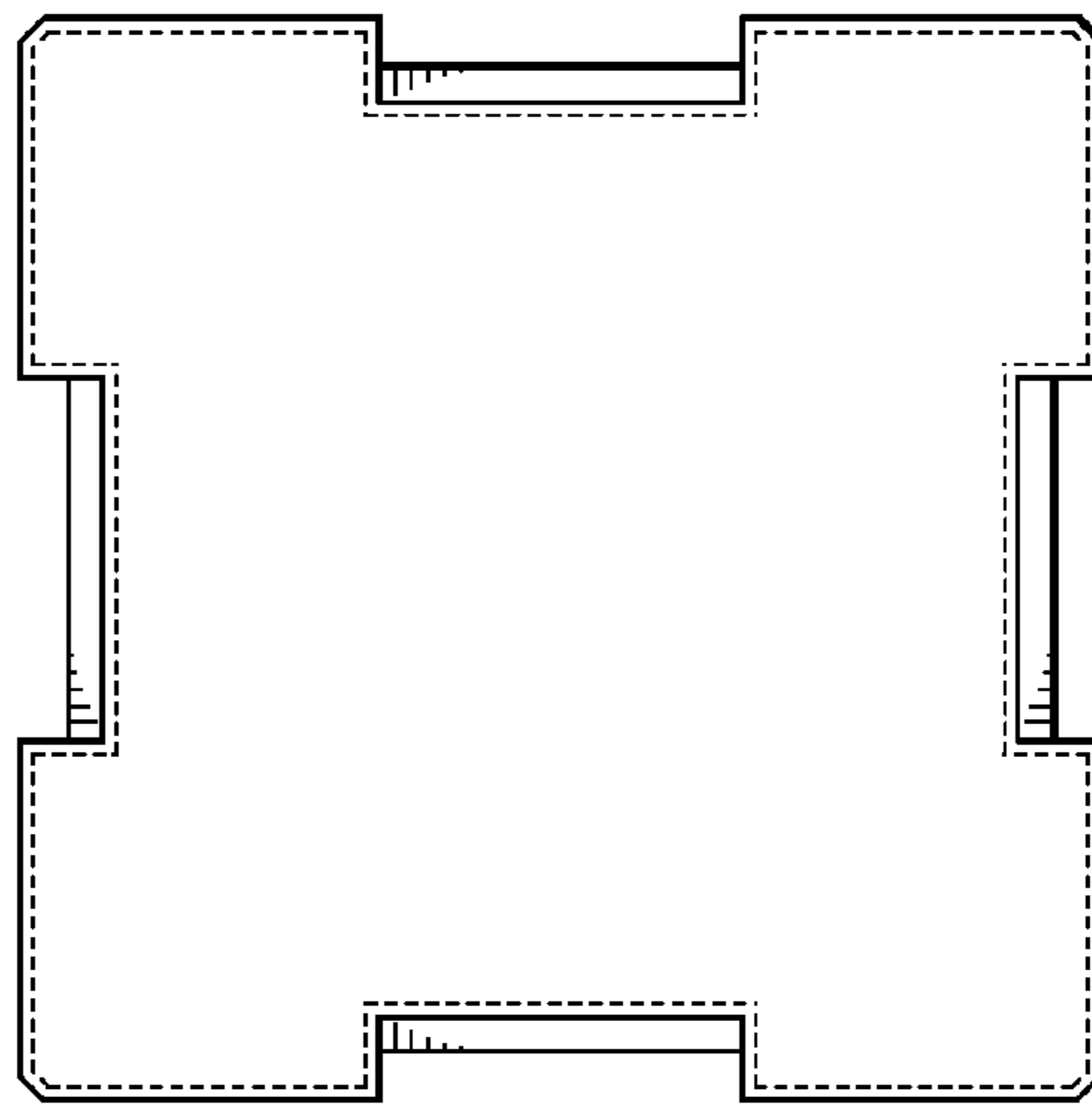


FIG. 3

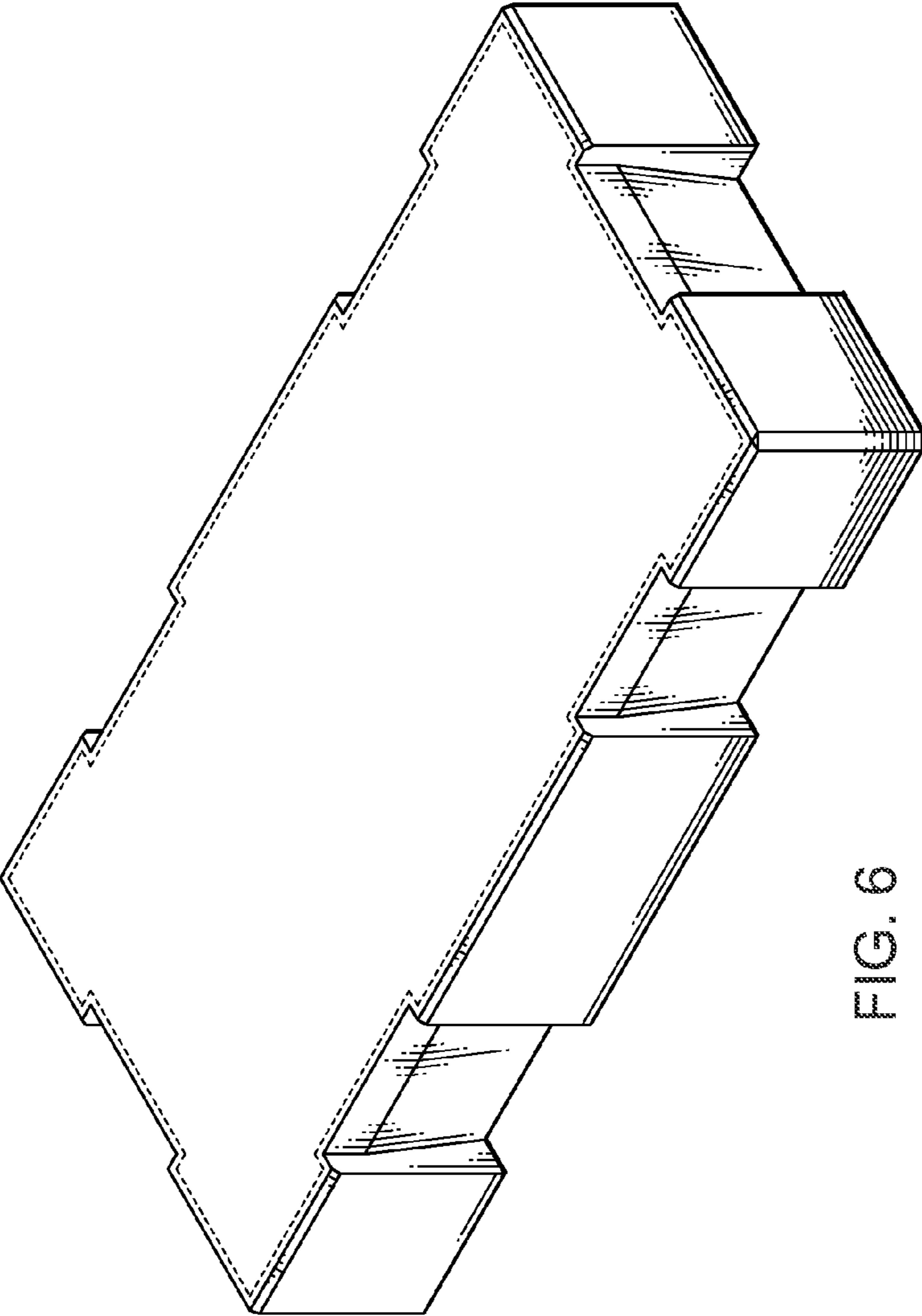
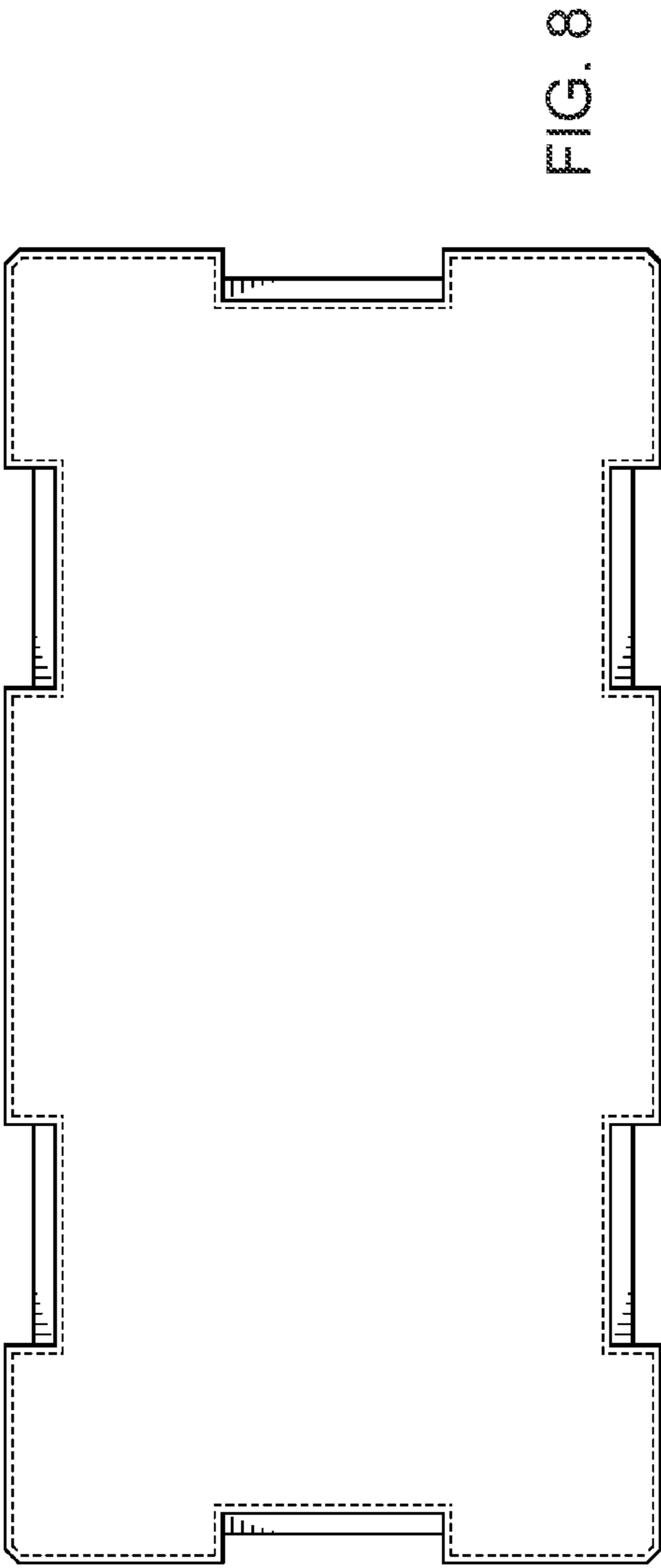
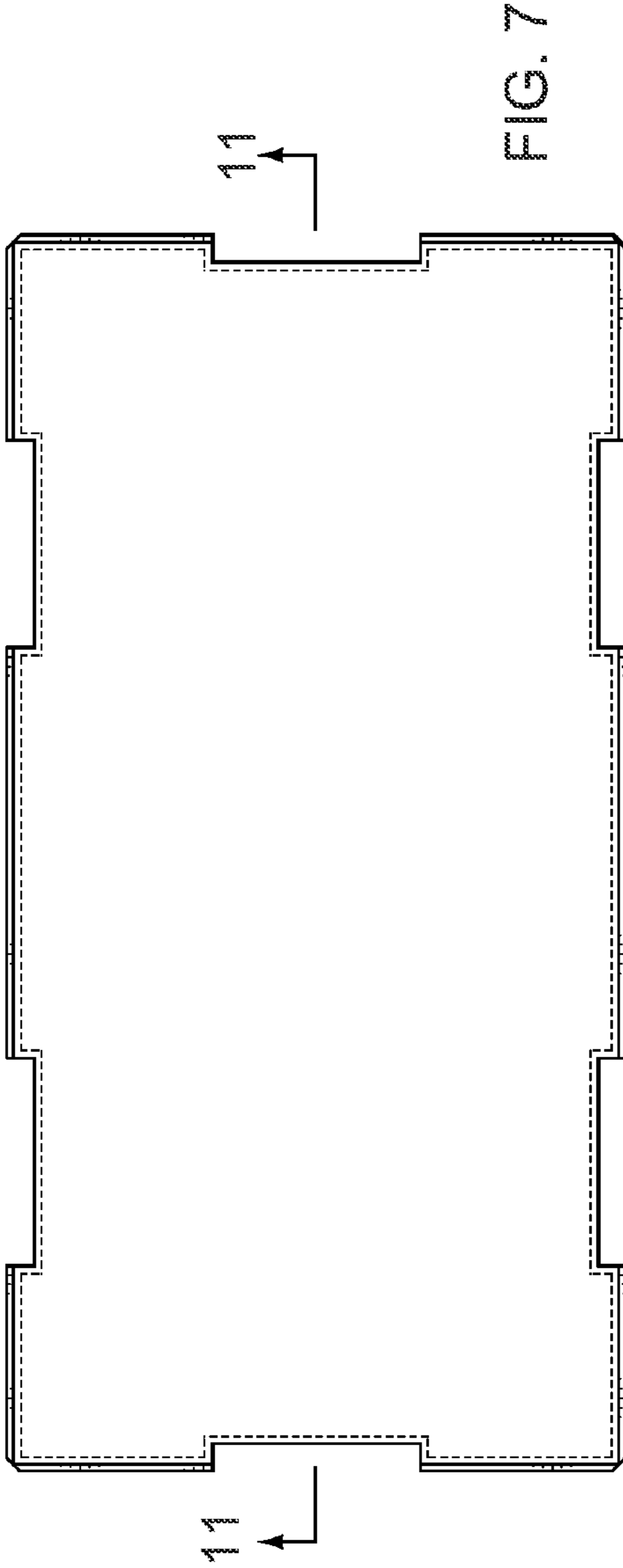


FIG. 6



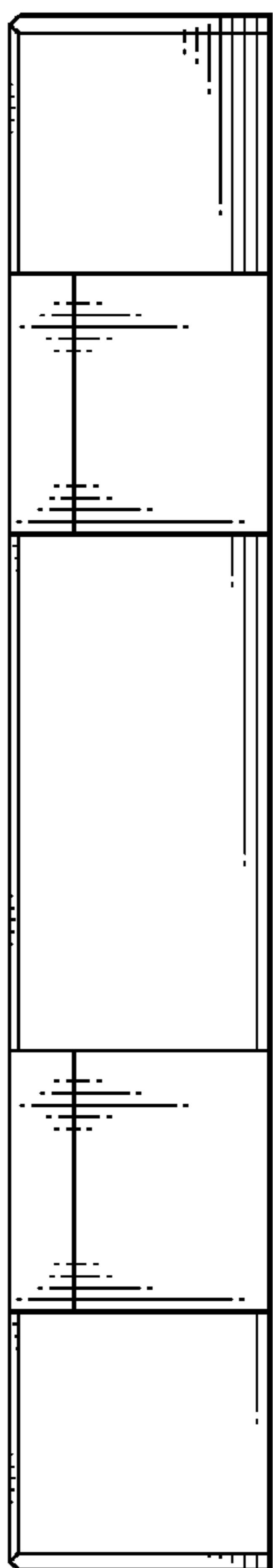


FIG. 9

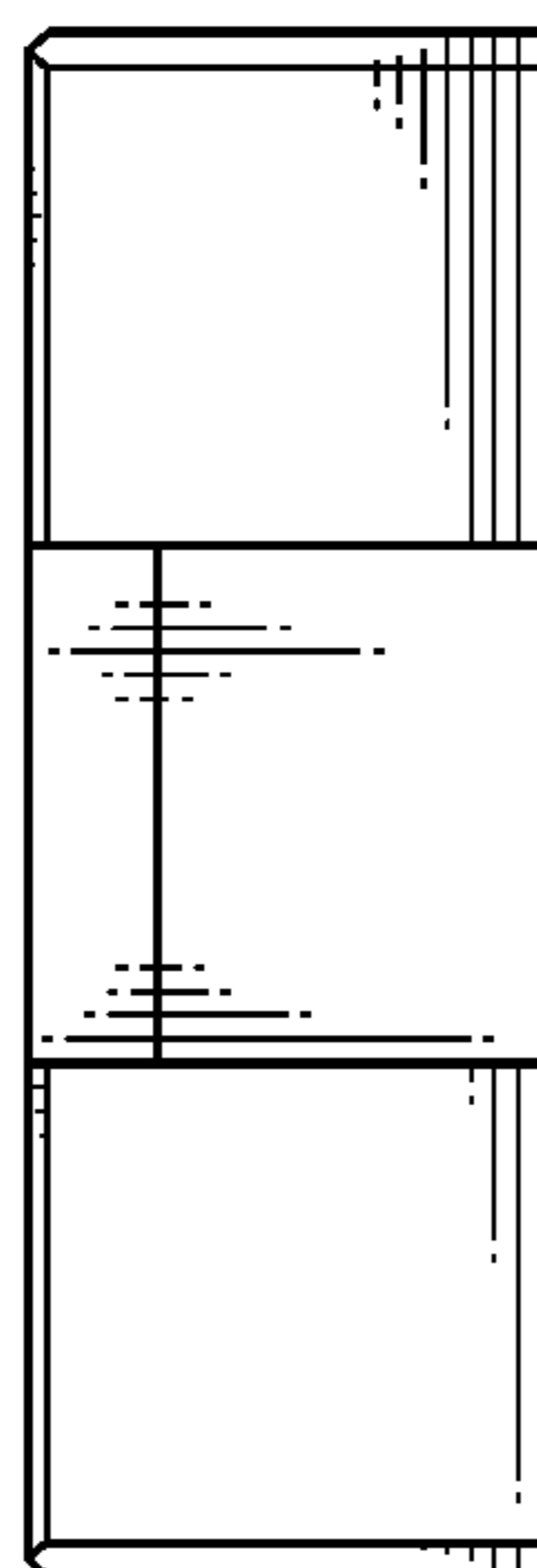


FIG. 10

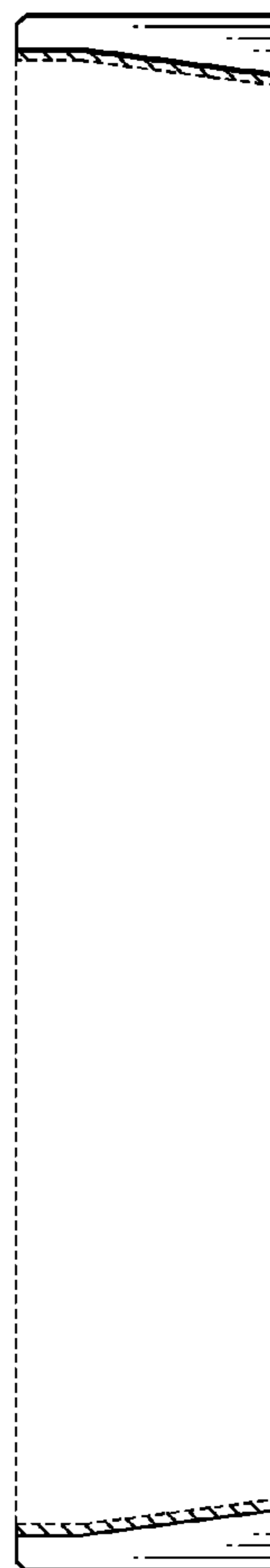


FIG. 11

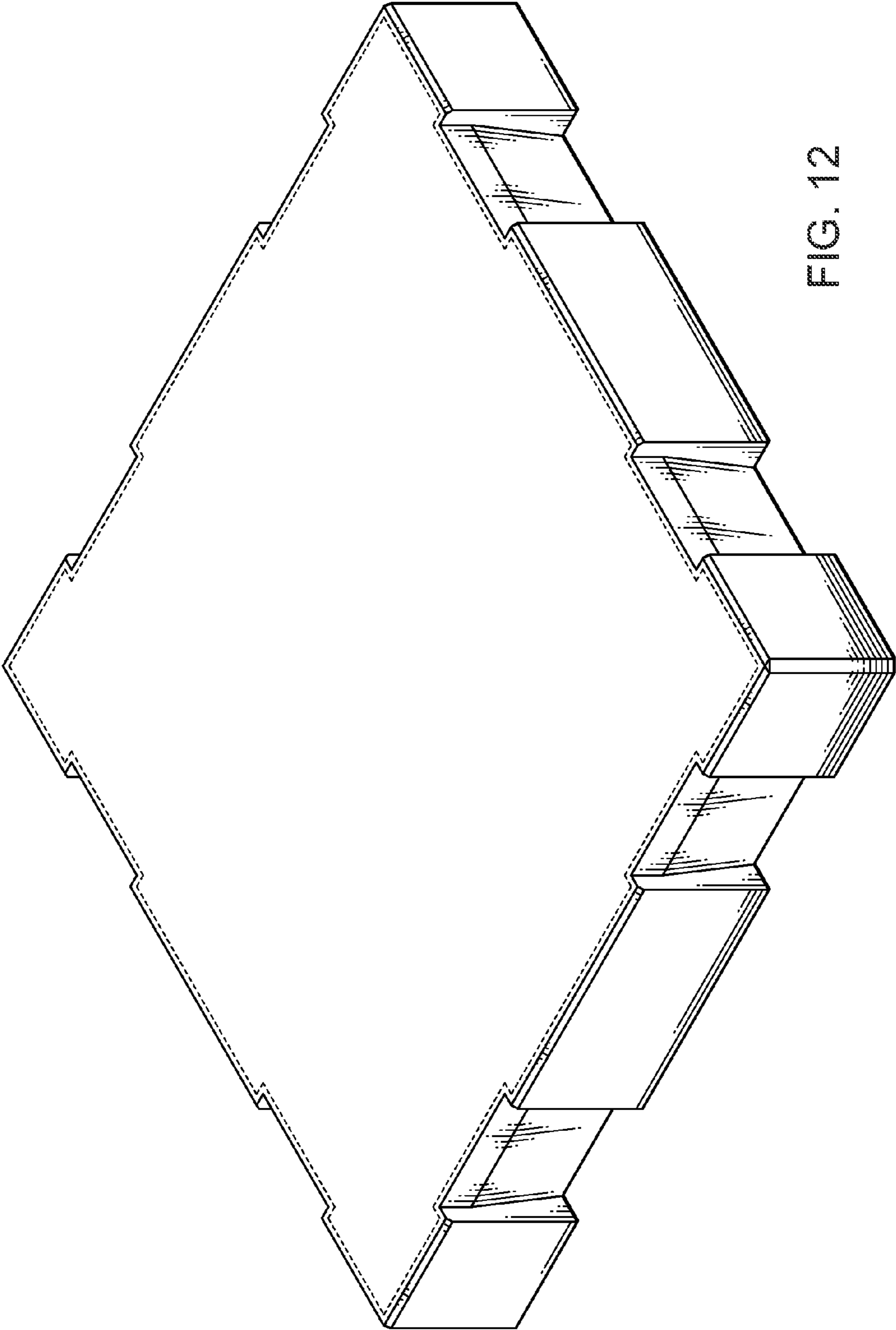


FIG. 12

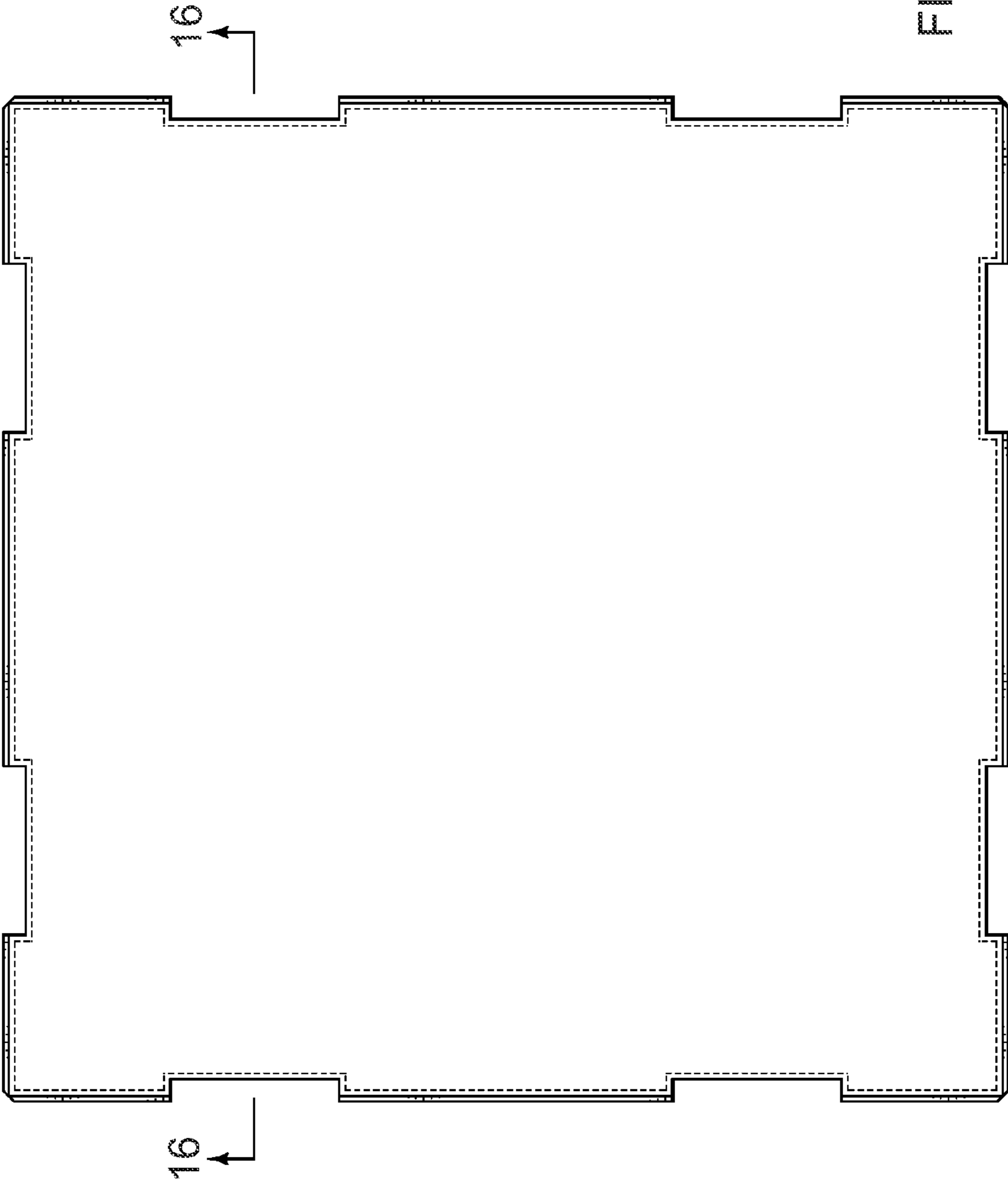


FIG. 13

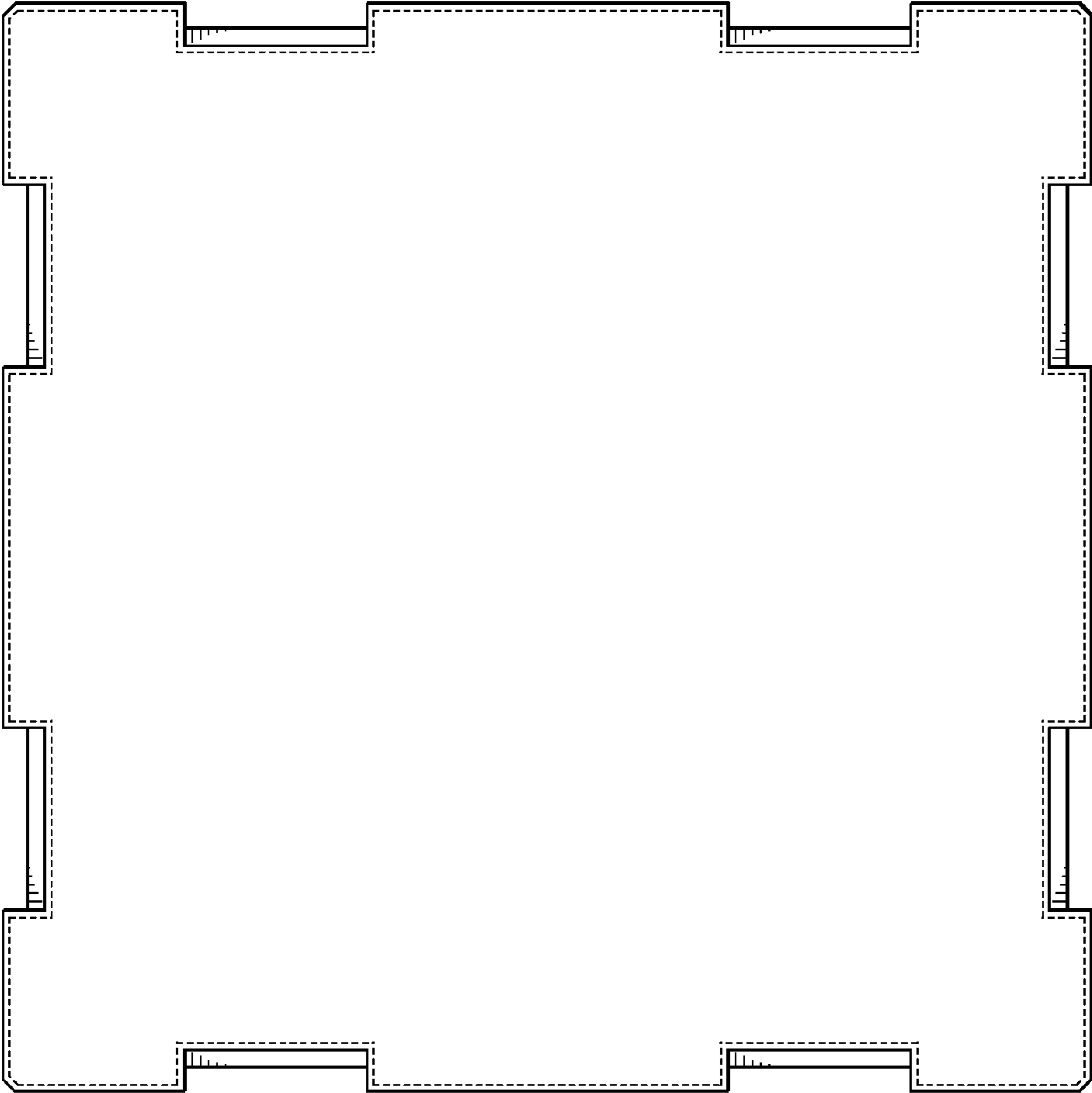


FIG. 14

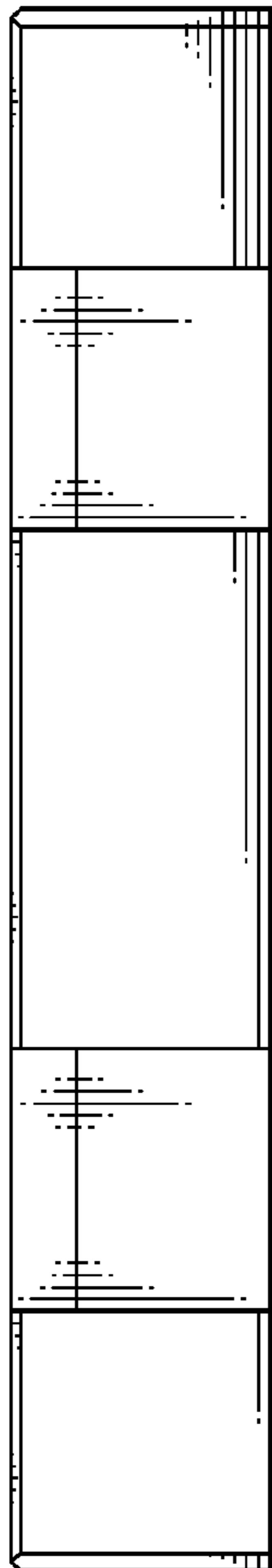


FIG. 15

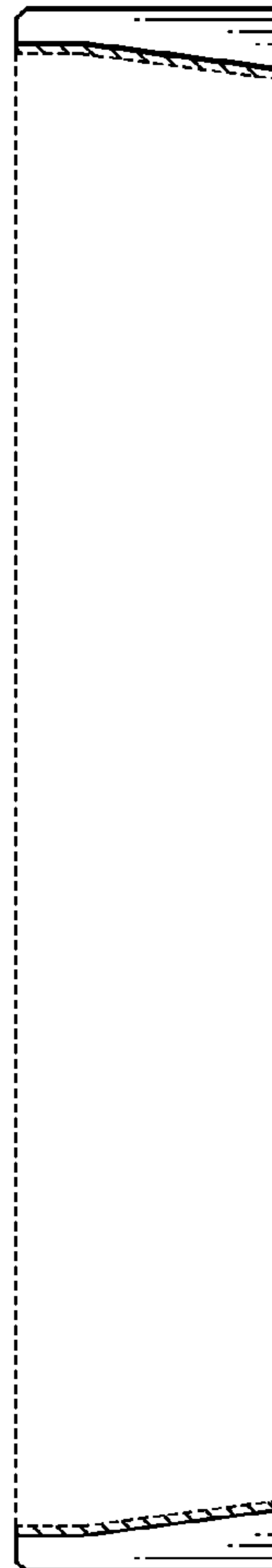


FIG. 16

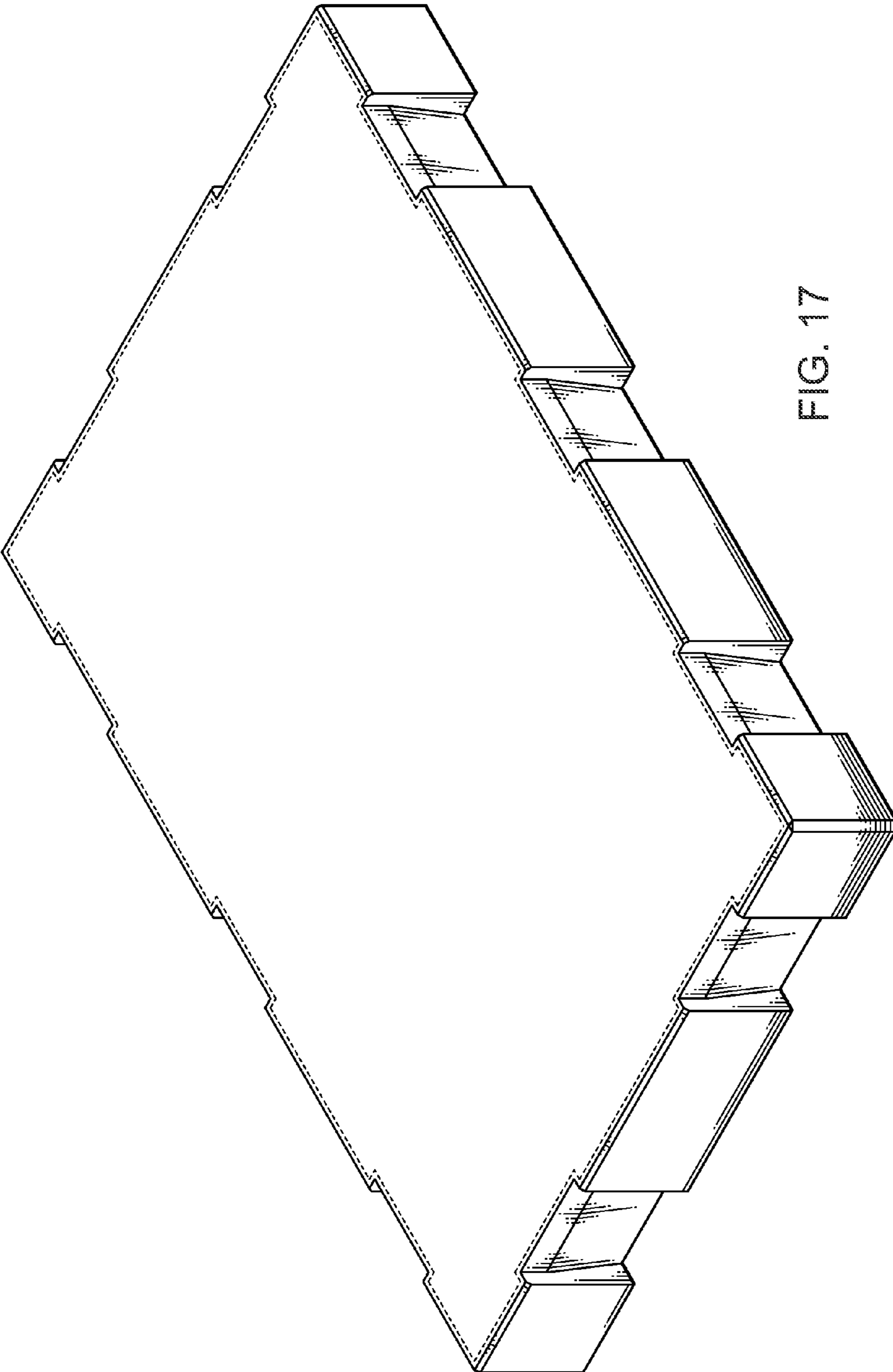


FIG. 17

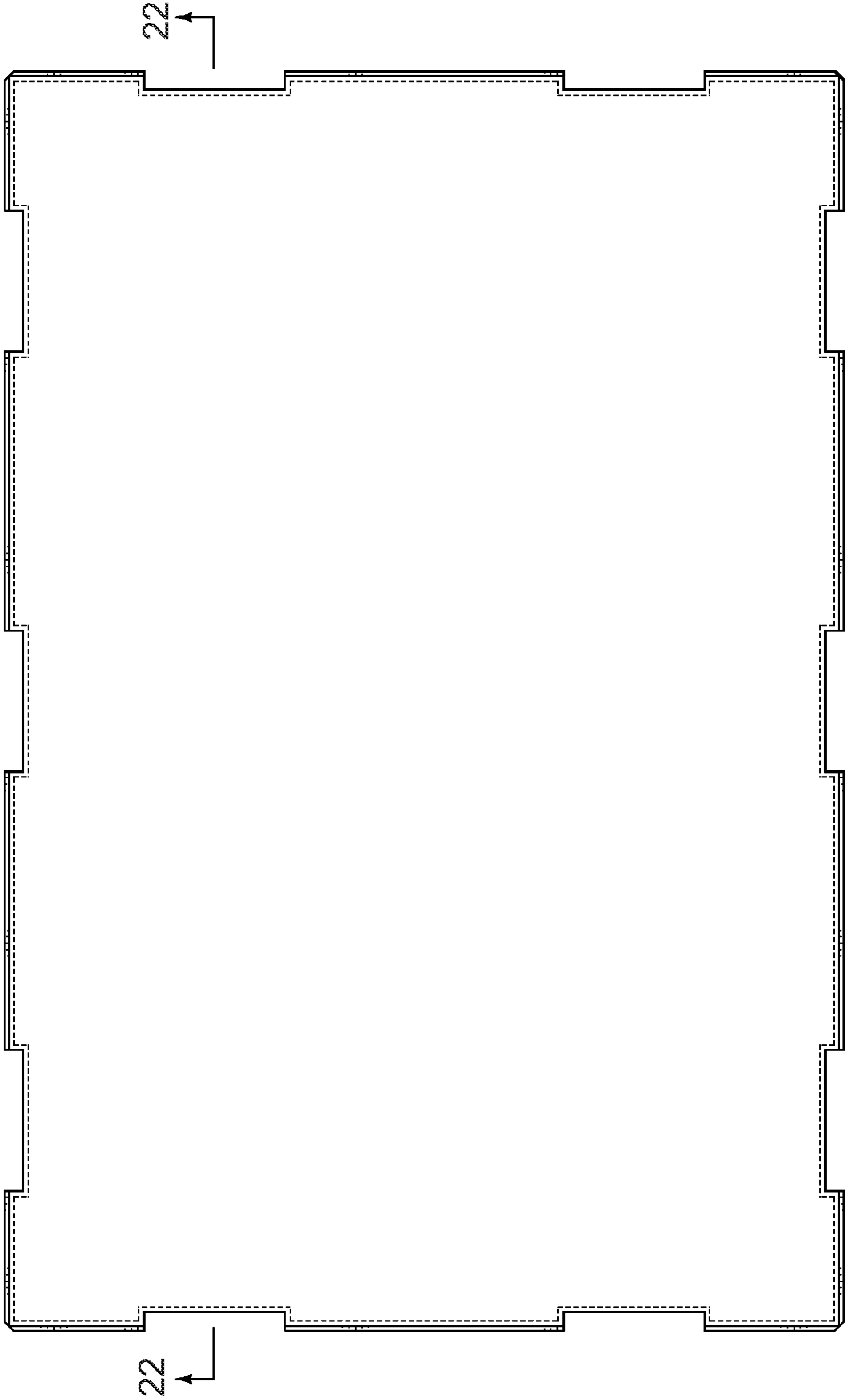


FIG. 18

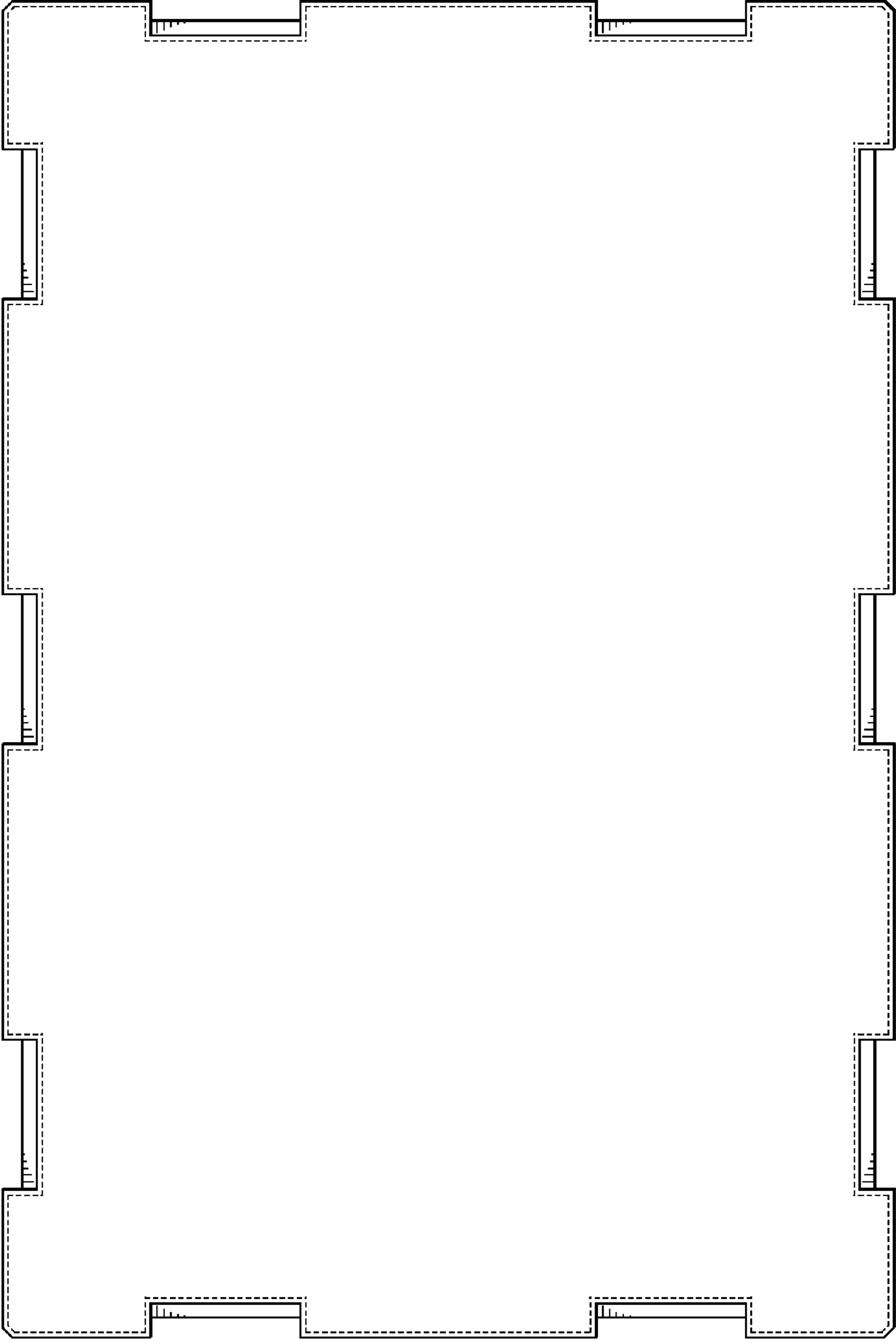


FIG. 19

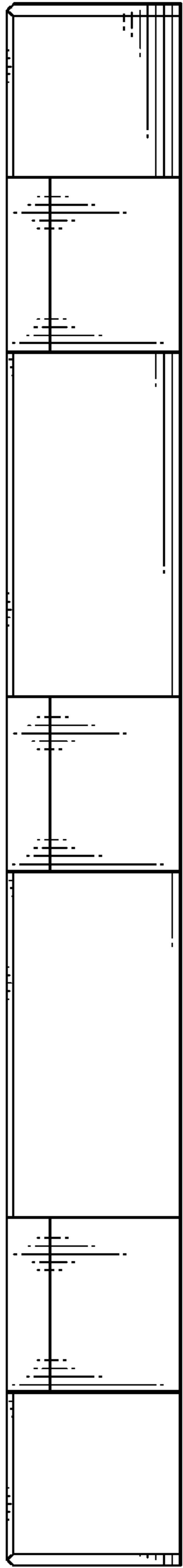


FIG. 20

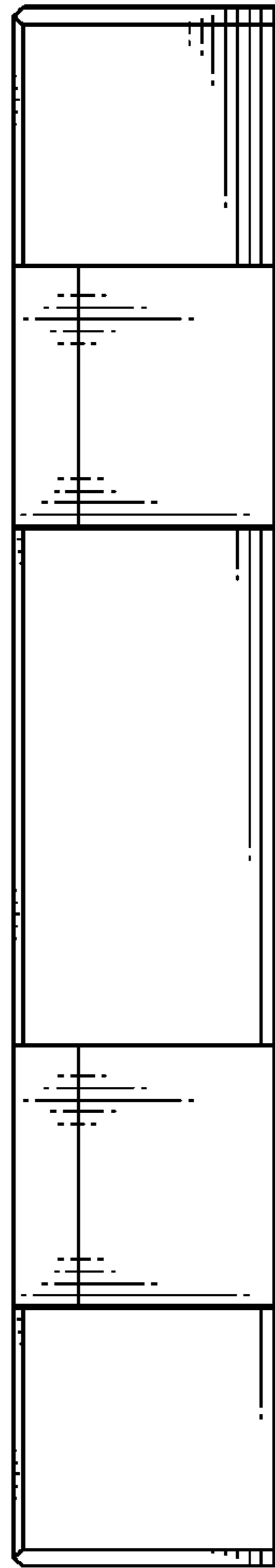


FIG. 21

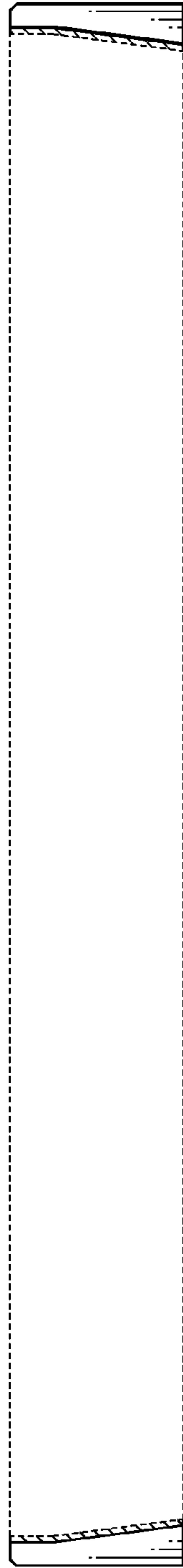


FIG. 22