



US00D674114S

(12) **United States Design Patent**
Van De Ven

(10) **Patent No.:** **US D674,114 S**
(45) **Date of Patent:** **** Jan. 8, 2013**

(54) **VIRTUAL THEATRE**

(75) Inventor: **Nikkie Van De Ven**, Bilzen (BE)

(73) Assignee: **Bose Corporation**, Framingham, MA (US)

(**) Term: **14 Years**

(21) Appl. No.: **29/398,710**

(22) Filed: **Aug. 3, 2011**

(51) **LOC (9) Cl.** **25-02**

(52) **U.S. Cl.** **D25/58**

(58) **Field of Classification Search** D25/58,
D25/35; 52/6, 7

See application file for complete search history.

(56) **References Cited**

U.S. PATENT DOCUMENTS

D304,083 S * 10/1989 Jenne D25/58
4,962,420 A * 10/1990 Judenich 348/744

D422,368 S * 4/2000 Wells D25/58
6,393,769 B1 * 5/2002 Mertik et al. 52/7
2006/0150530 A1 * 7/2006 Davey 52/7

* cited by examiner

Primary Examiner — Doris Clark

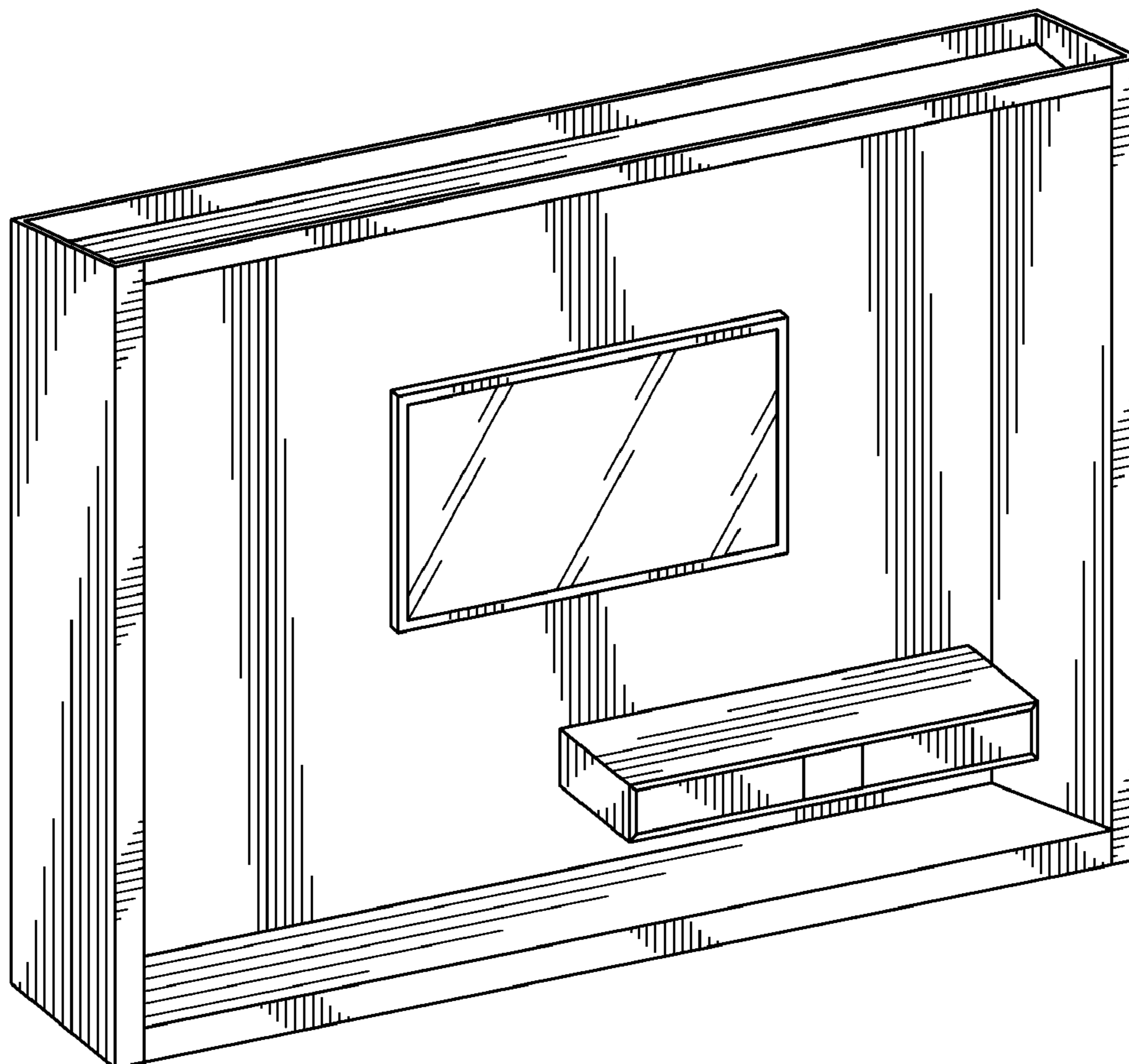
(57) **CLAIM**

I claim the ornamental design for a virtual theatre, as shown and described.

DESCRIPTION

FIG. 1 is a perspective view of a first embodiment of a virtual theatre as seen from the front, top and left side; FIG. 2 is a front view thereof; FIG. 3 is a back view thereof; FIG. 4 is a top view thereof; FIG. 5 is a bottom view thereof; FIG. 6 is a right side view thereof; and, FIG. 7 is a left side view thereof.

1 Claim, 5 Drawing Sheets



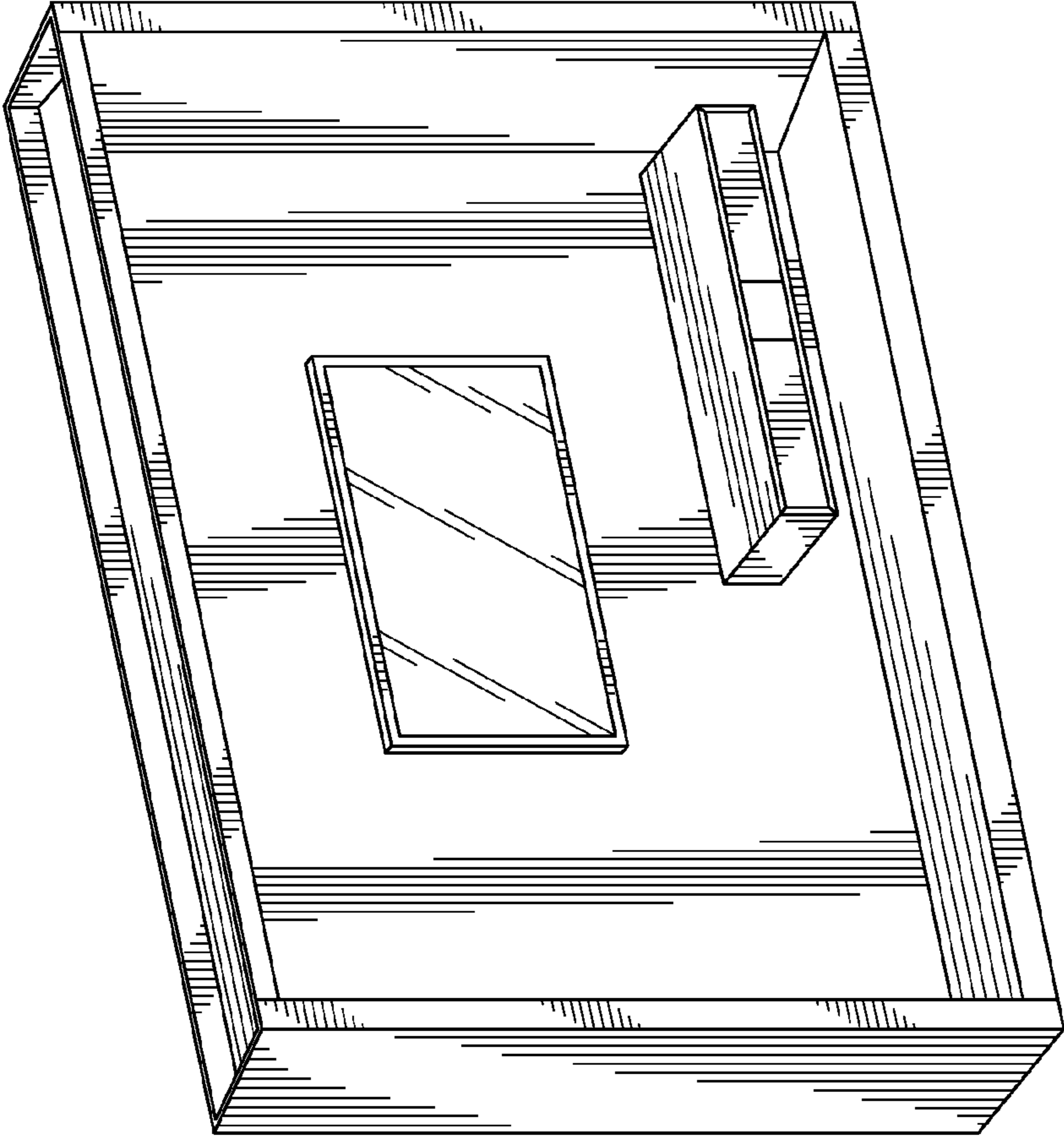


FIG. 1

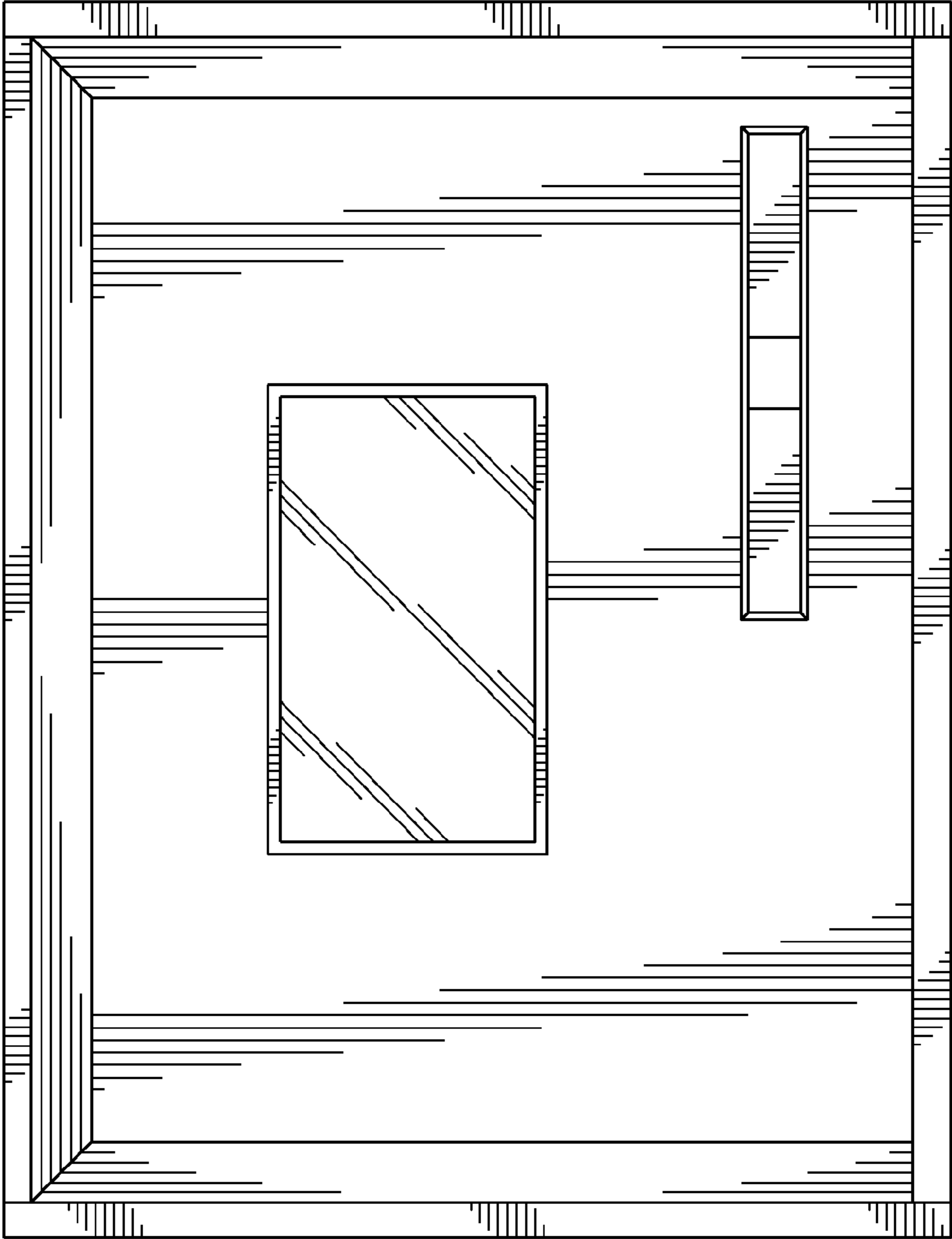


FIG. 2

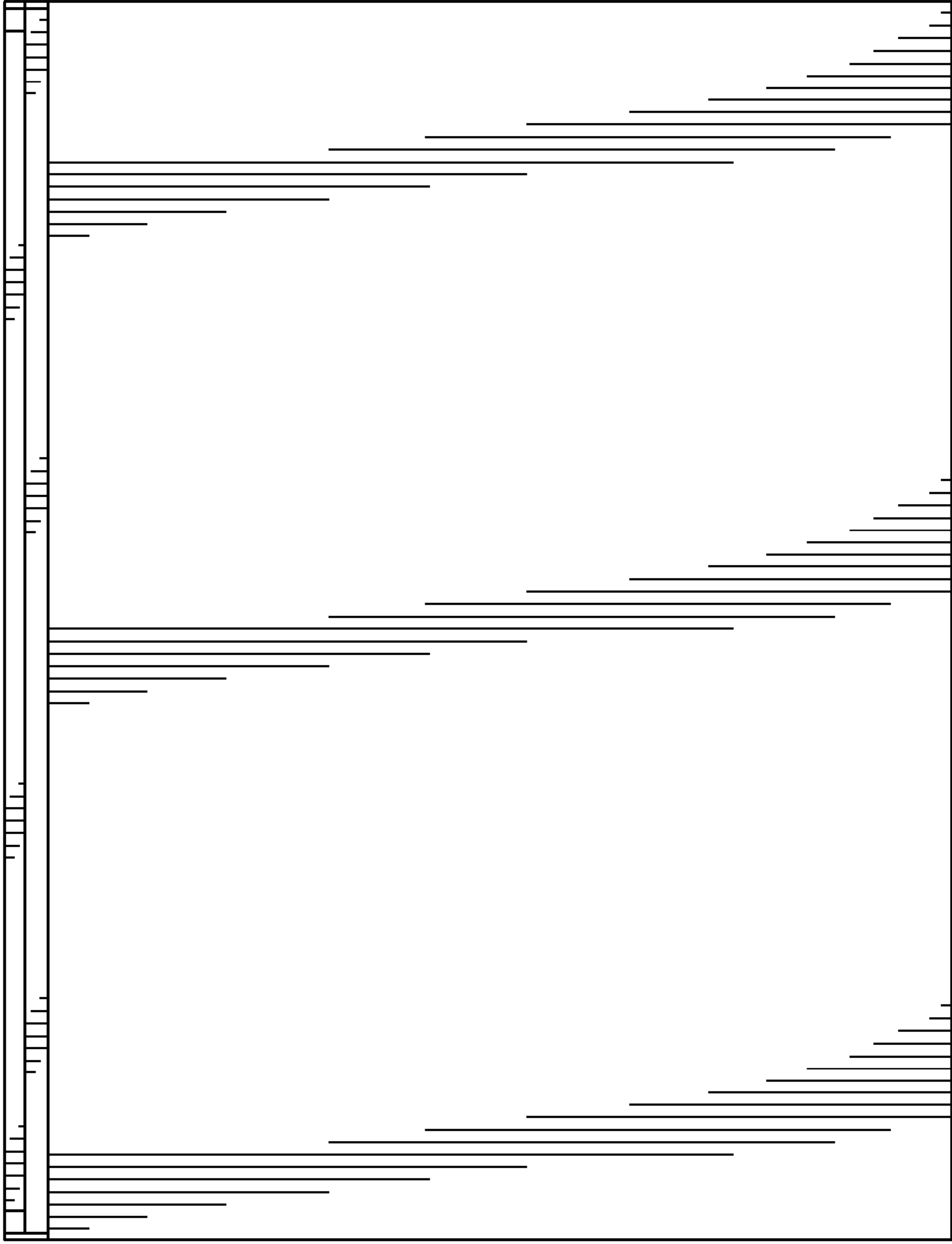


FIG. 3

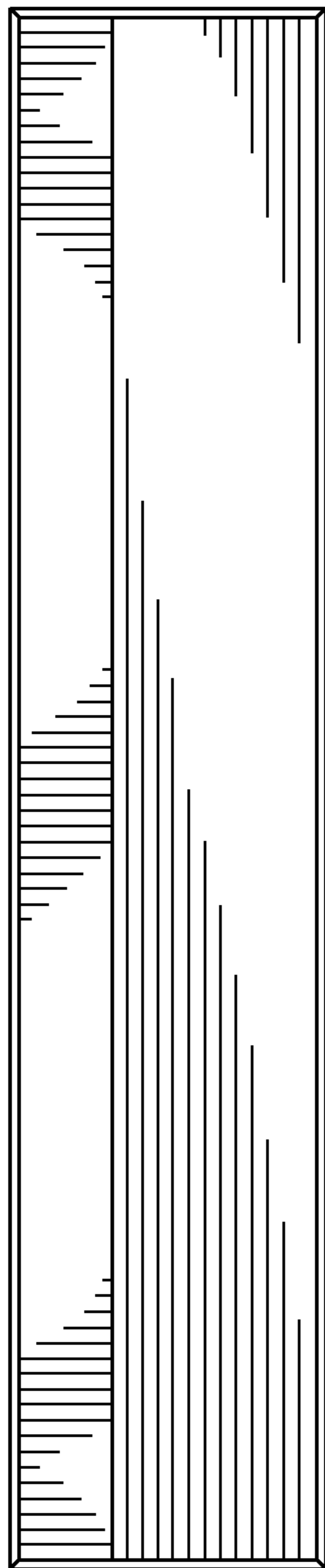


FIG. 4

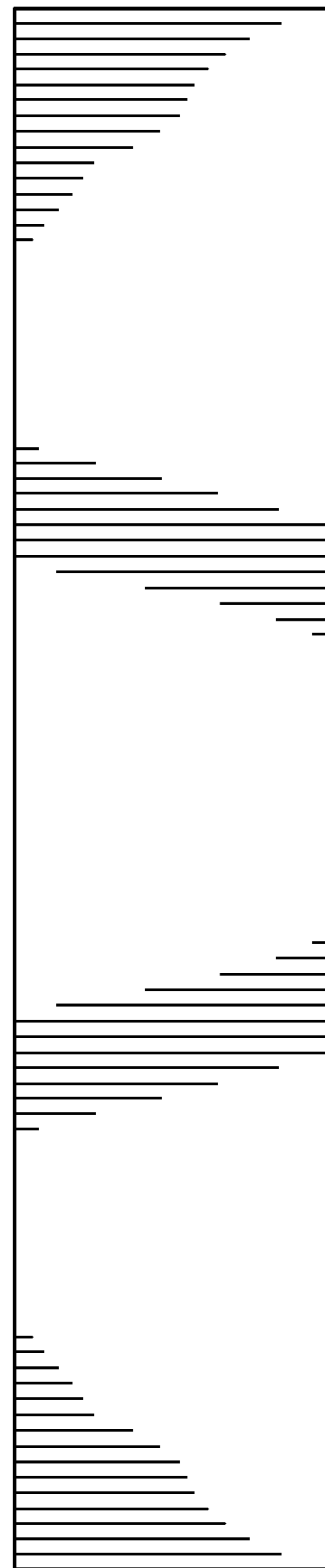


FIG. 5

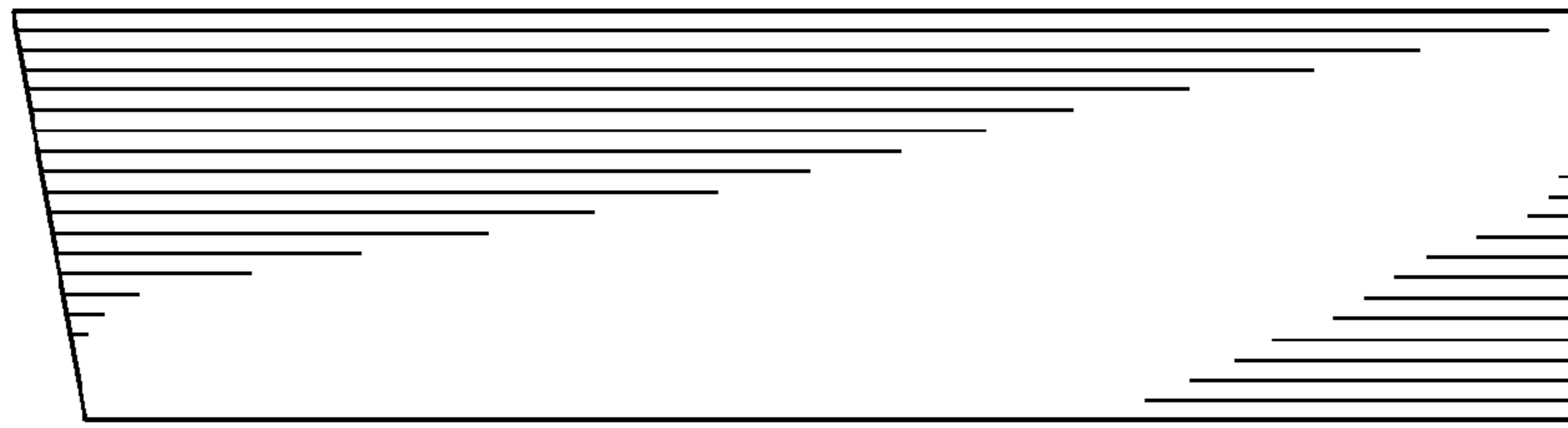


FIG. 7

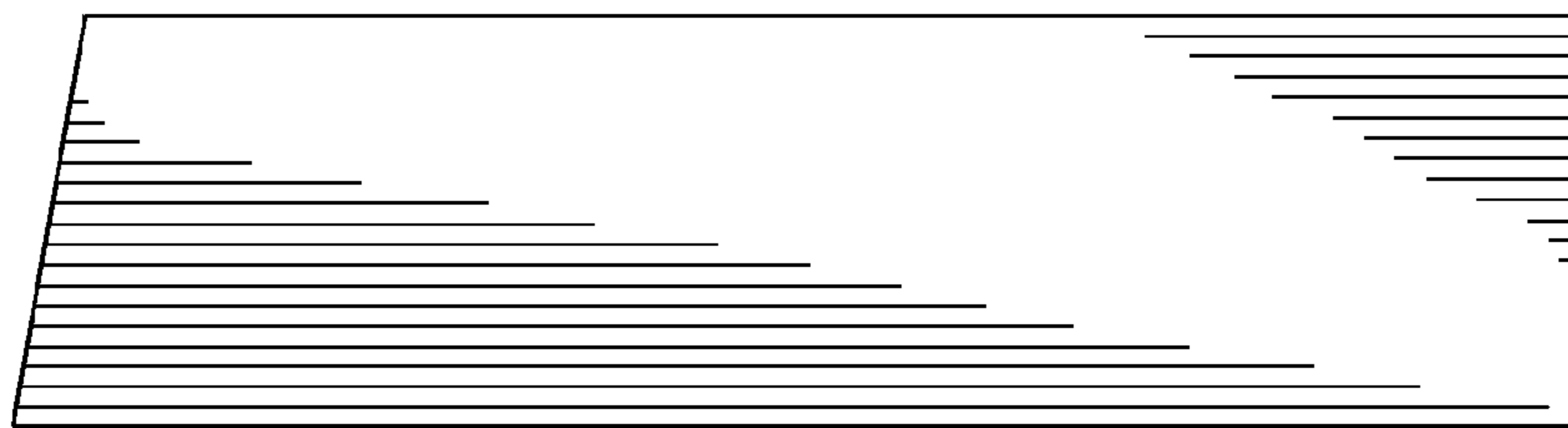


FIG. 6