



US00D674112S

(12) **United States Design Patent**
Demas et al.

(10) **Patent No.:** **US D674,112 S**
(45) **Date of Patent:** **** Jan. 8, 2013**

- (54) **MODULAR CARTRIDGE ASSEMBLY**
- (75) Inventors: **Vasiliki Demas**, Arlington, MA (US);
Trevor Beckett, Lexington, MA (US);
Michael Withers, Lexington, MA (US);
Robin Lee, Lexington, MA (US); **Parris Wellman**, Reading, MA (US)
- (73) Assignee: **T2 Biosystems, Inc.**, Lexington, MA (US)

D438,632	S	*	3/2001	Miller	D24/224
D516,732	S	*	3/2006	Sakurai et al.	D24/216
7,036,667	B2	*	5/2006	Greenstein et al.	206/723
7,704,735	B2	*	4/2010	Facer et al.	435/303.1
7,867,776	B2	*	1/2011	Kennedy et al.	436/180
D632,803	S	*	2/2011	Motadel et al.	D24/229
2004/0141887	A1	*	7/2004	Mainquist et al.	422/102
2008/0056948	A1	*	3/2008	Dale et al.	422/68.1
2009/0298129	A1	*	12/2009	Spence et al.	435/91.2
2010/0124766	A1	*	5/2010	Ng et al.	435/91.2

* cited by examiner

- (**) Term: **14 Years**
- (21) Appl. No.: **29/390,300**
- (22) Filed: **Apr. 22, 2011**

Primary Examiner — Anhdao Doan
(74) *Attorney, Agent, or Firm* — Clark & Elbing LLP; Karen L. Elbing

Related U.S. Application Data

- (63) Continuation-in-part of application No. 12/910,594, filed on Oct. 22, 2010.
 - (51) **LOC (9) Cl.** **24-01**
 - (52) **U.S. Cl.** **D24/226**
 - (58) **Field of Classification Search** D24/216–226, D24/227, 231, 232, 107, 169, 186; D10/81; 422/400–404, 408, 430, 68.1, 500, 502, 503, 422/810
- See application file for complete search history.

(57) **CLAIM**

The ornamental design for a modular cartridge assembly, substantially as shown and described.

DESCRIPTION

FIG. 1 is a perspective view of a modular cartridge assembly embodying the invention showing interlockable inlet module assembly, cartridge body assembly, and reagent tray components.

FIG. 2 is a front view of the modular cartridge assembly.

FIG. 3 is a rear view of the modular cartridge assembly.

FIG. 4 is a left side view of the modular cartridge assembly.

FIG. 5 is a right side view of the modular cartridge assembly.

FIG. 6 is a top view of the modular cartridge assembly; and, FIG. 7 is a bottom view of the modular cartridge assembly.

The broken lines immediately adjacent the claimed areas represent the bounds of the claim, and other broken lines are included for the purpose of illustrating portions of the modular cartridge assembly that form no part of the claimed design. None of the broken lines form a part of the claimed design.

(56) **References Cited**

U.S. PATENT DOCUMENTS

4,072,578	A	*	2/1978	Cady et al.	435/287.1
D285,118	S	*	8/1986	Huang	D24/226
D288,479	S	*	2/1987	Covell et al.	D24/223
D303,711	S	*	9/1989	DesRosier et al.	D24/226
D345,611	S	*	3/1994	Long	D24/226
D366,529	S	*	1/1996	Babaoglu et al.	D24/223
D414,561	S	*	9/1999	Escoffier	D24/216
D416,330	S	*	11/1999	Brown	D24/224

1 Claim, 7 Drawing Sheets

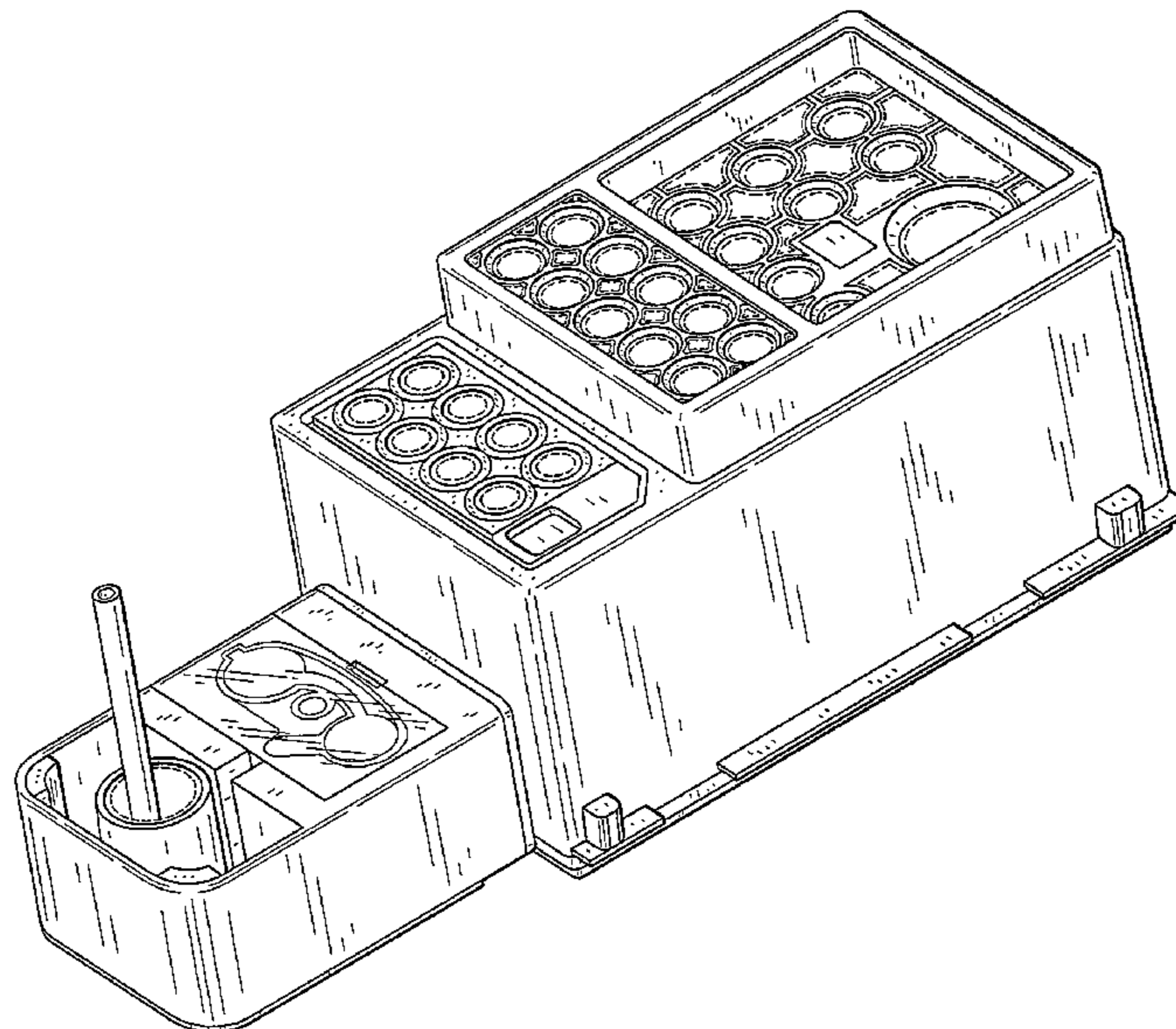
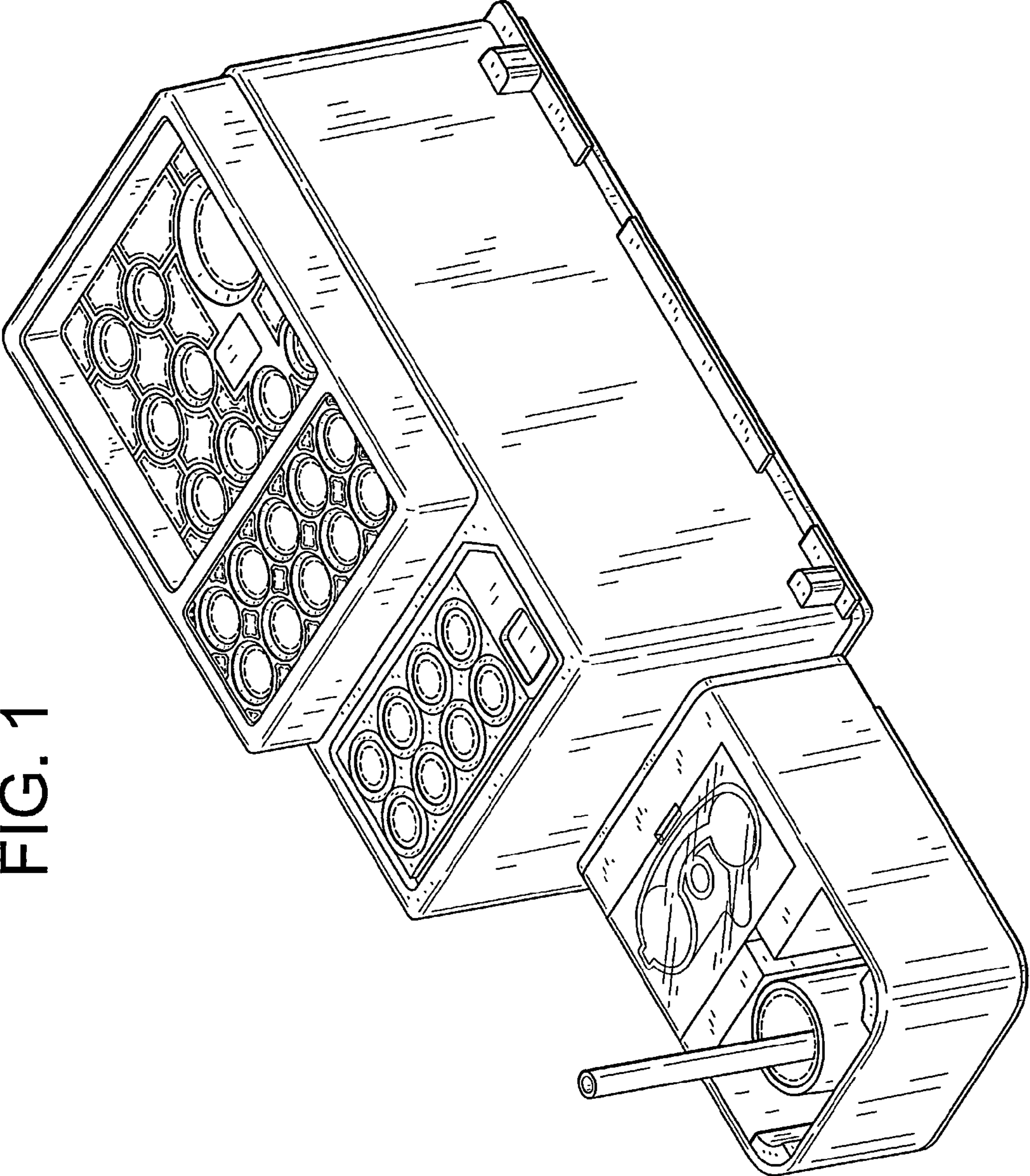


FIG. 1



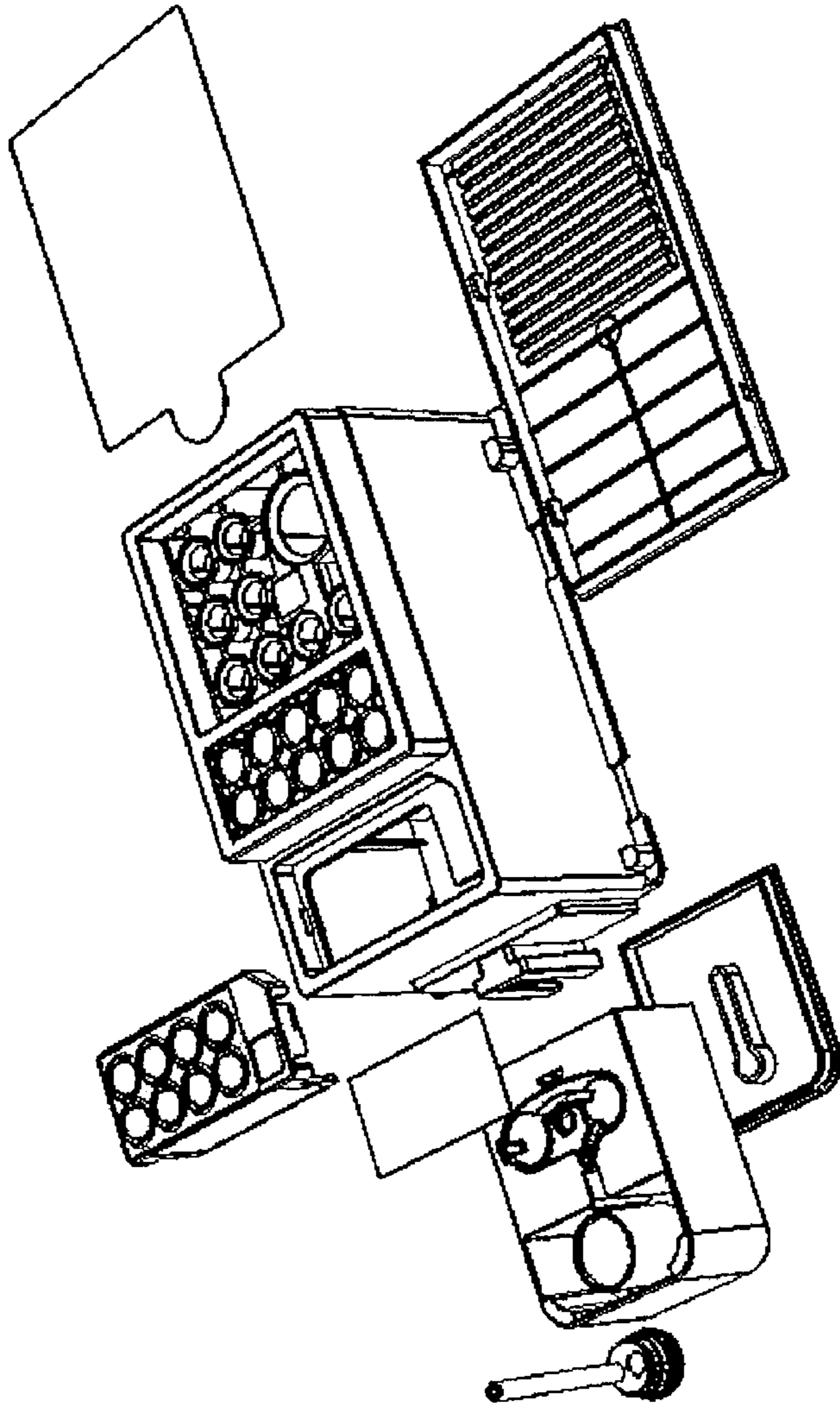


Figure 2

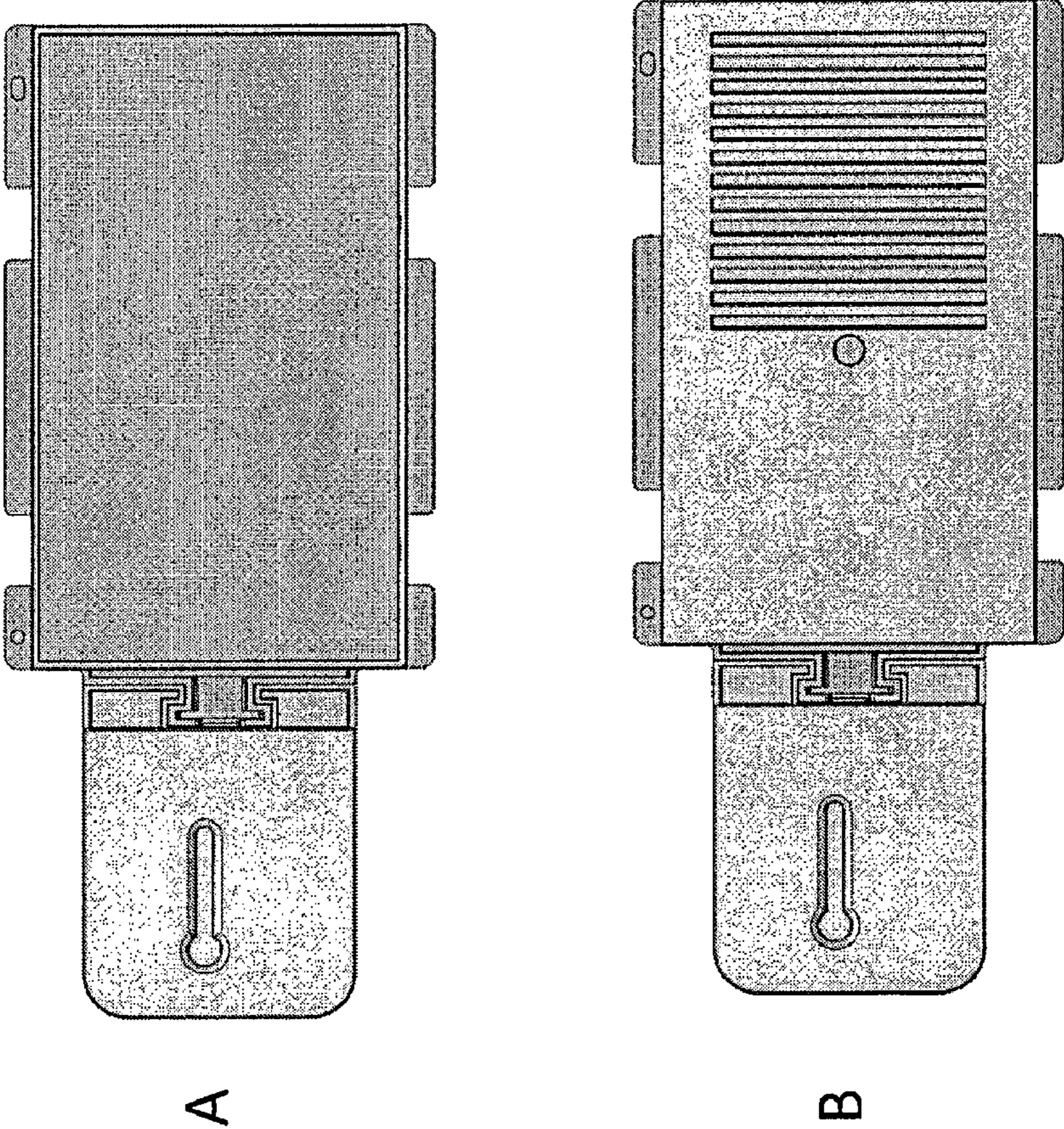


Figure 3

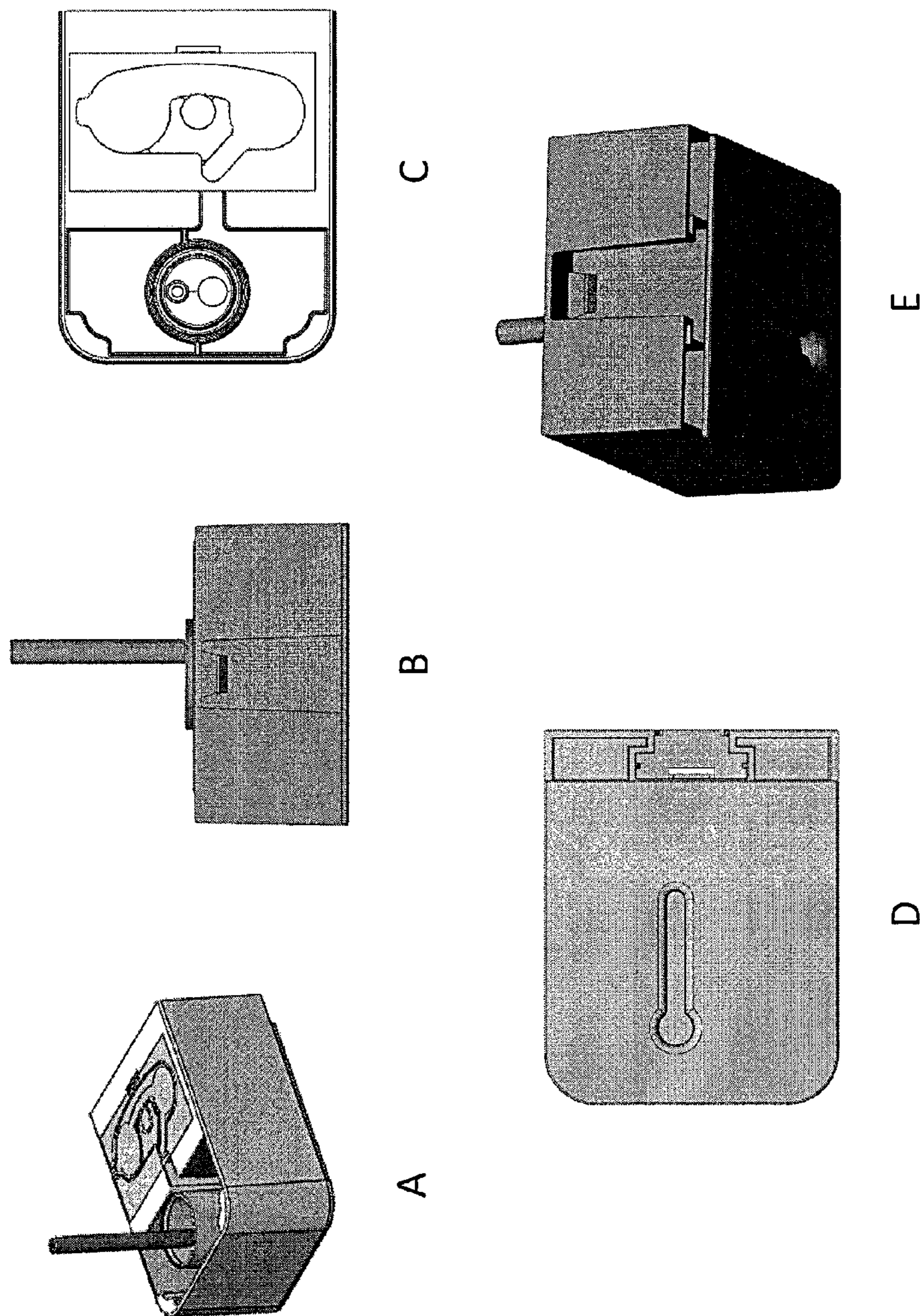


Figure 4

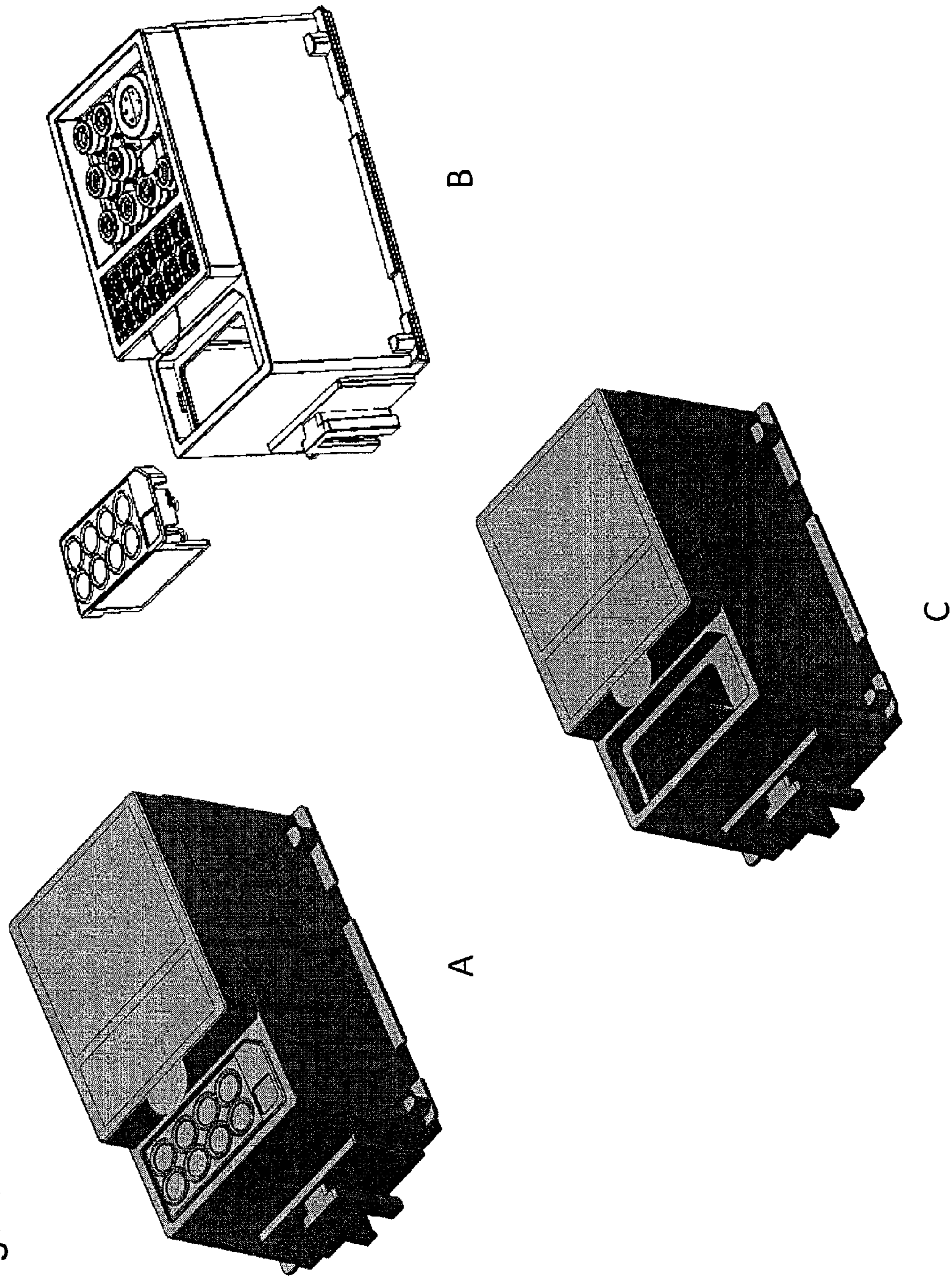


Figure 5

FIG. 6

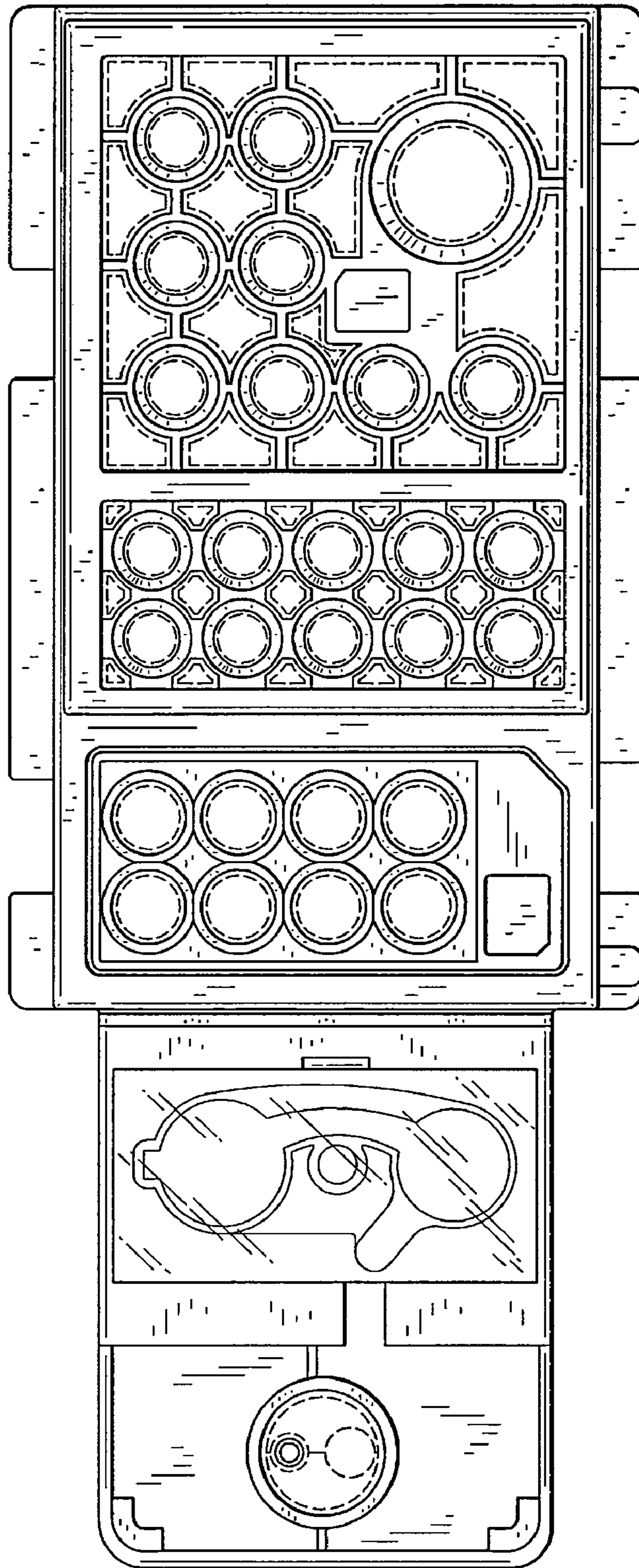
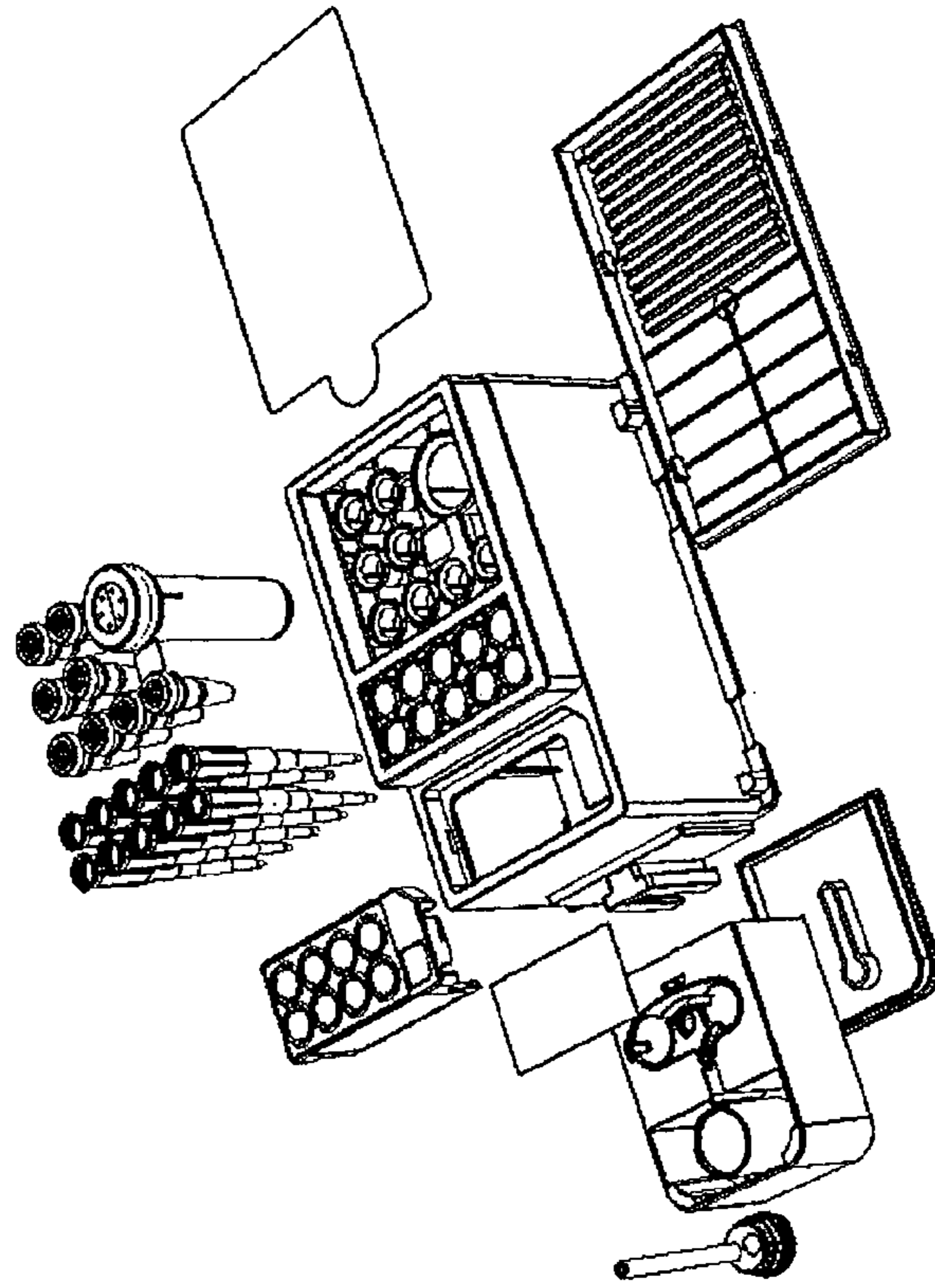
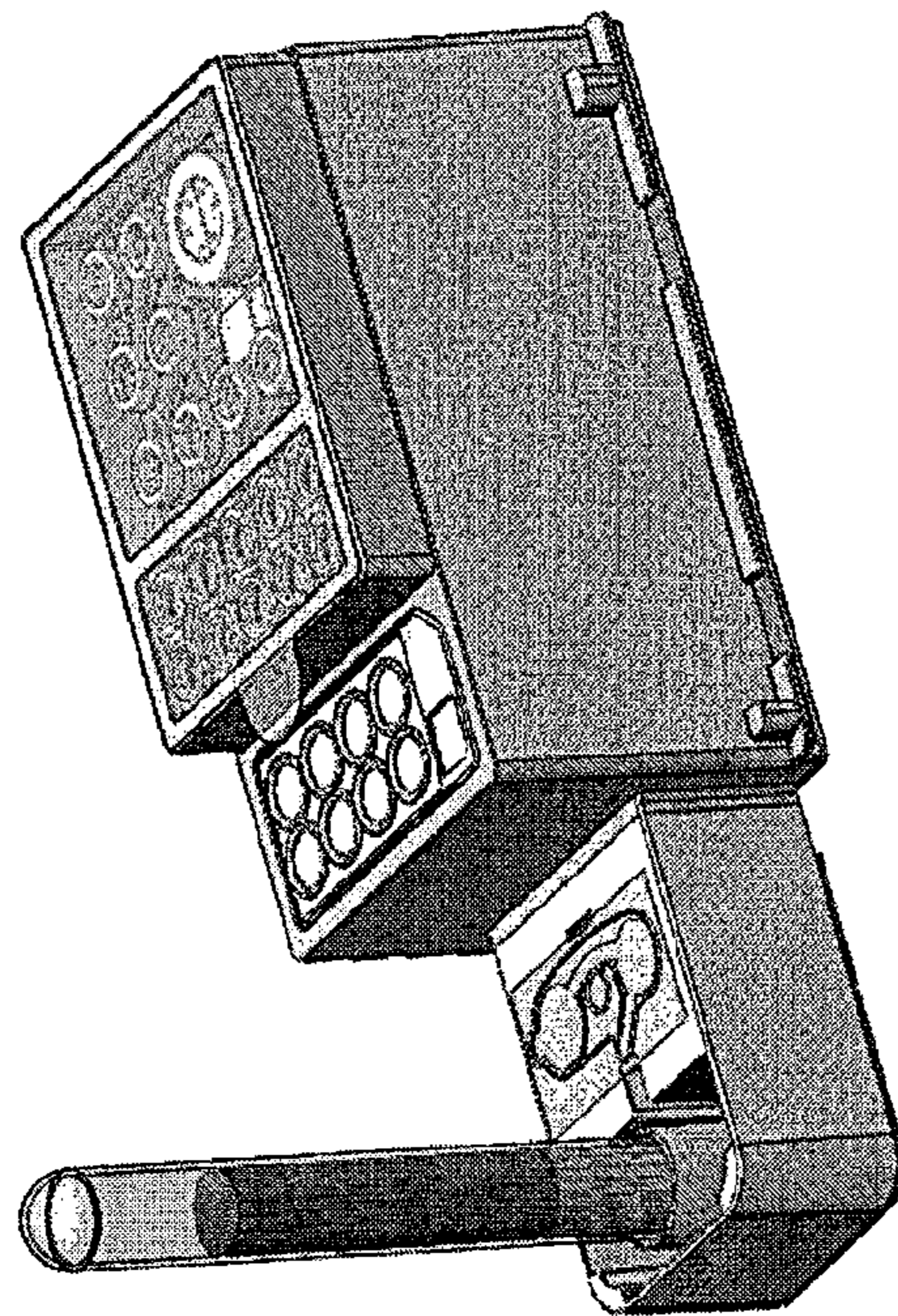


Figure 7



B



A

UNITED STATES PATENT AND TRADEMARK OFFICE
CERTIFICATE OF CORRECTION

PATENT NO. : D674,112 S
APPLICATION NO. : 29/390300
DATED : January 8, 2013
INVENTOR(S) : Vasiliki Demas et al.

Page 1 of 5

It is certified that error appears in the above-identified patent and that said Letters Patent is hereby corrected as shown below:

In the Drawings

Please delete FIGS. 2, 3, 4, 5 and 7 and replace with FIGS. 2, 3, 4, 5 and 7 as shown on the attached pages.

Signed and Sealed this
Fifteenth Day of October, 2013



Teresa Stanek Rea
Deputy Director of the United States Patent and Trademark Office

FIG. 2

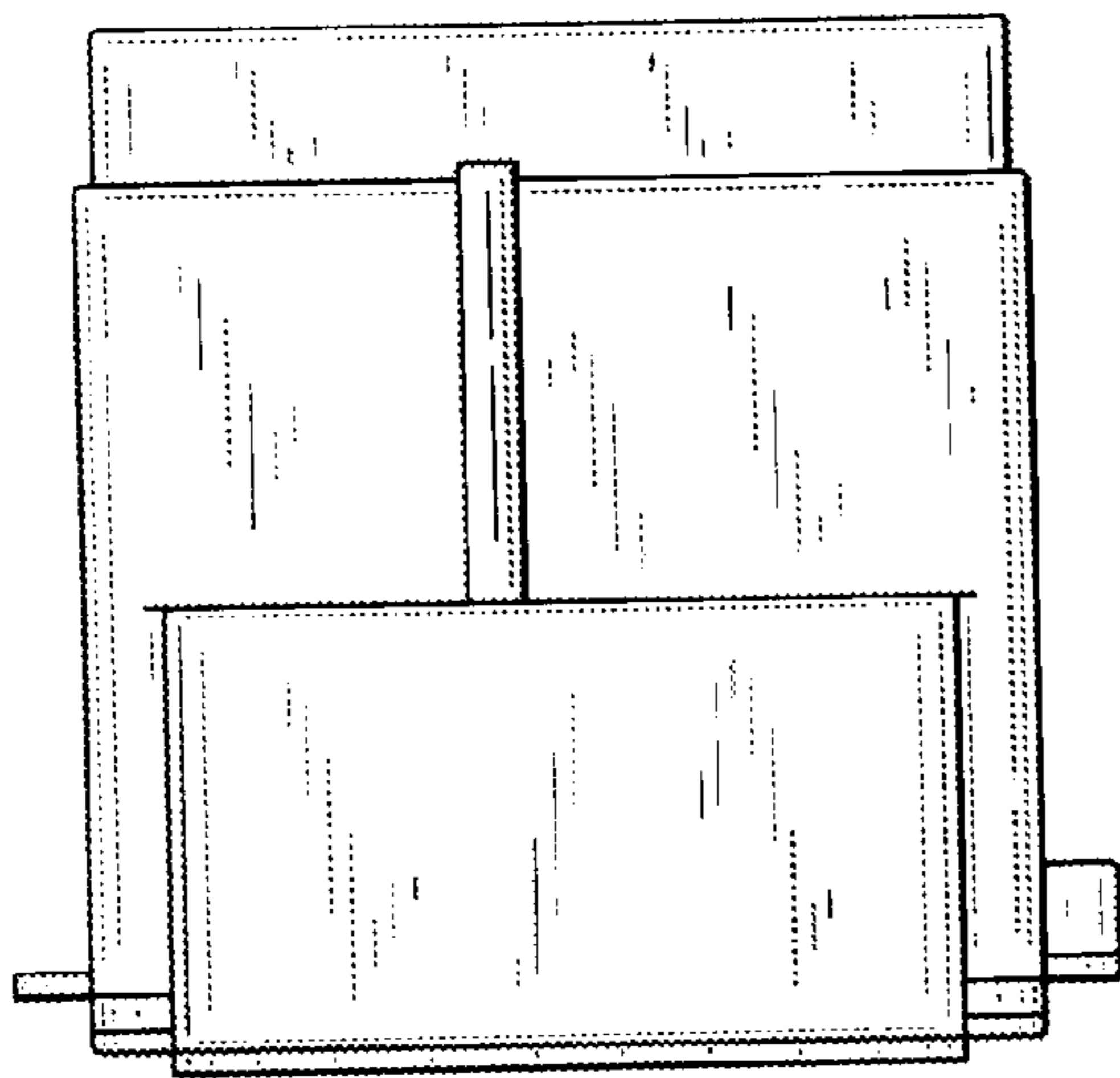


FIG. 3

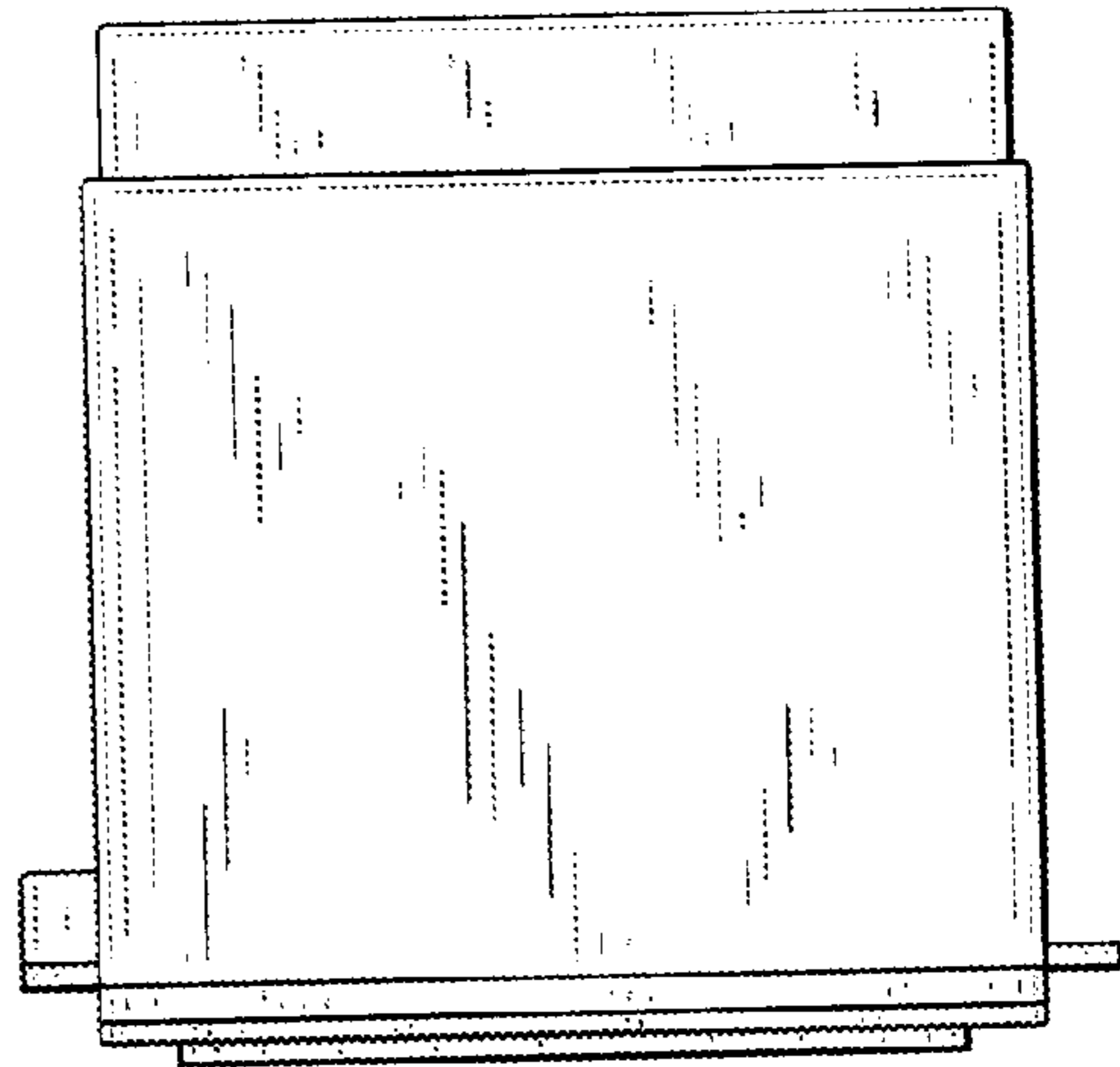


FIG. 4

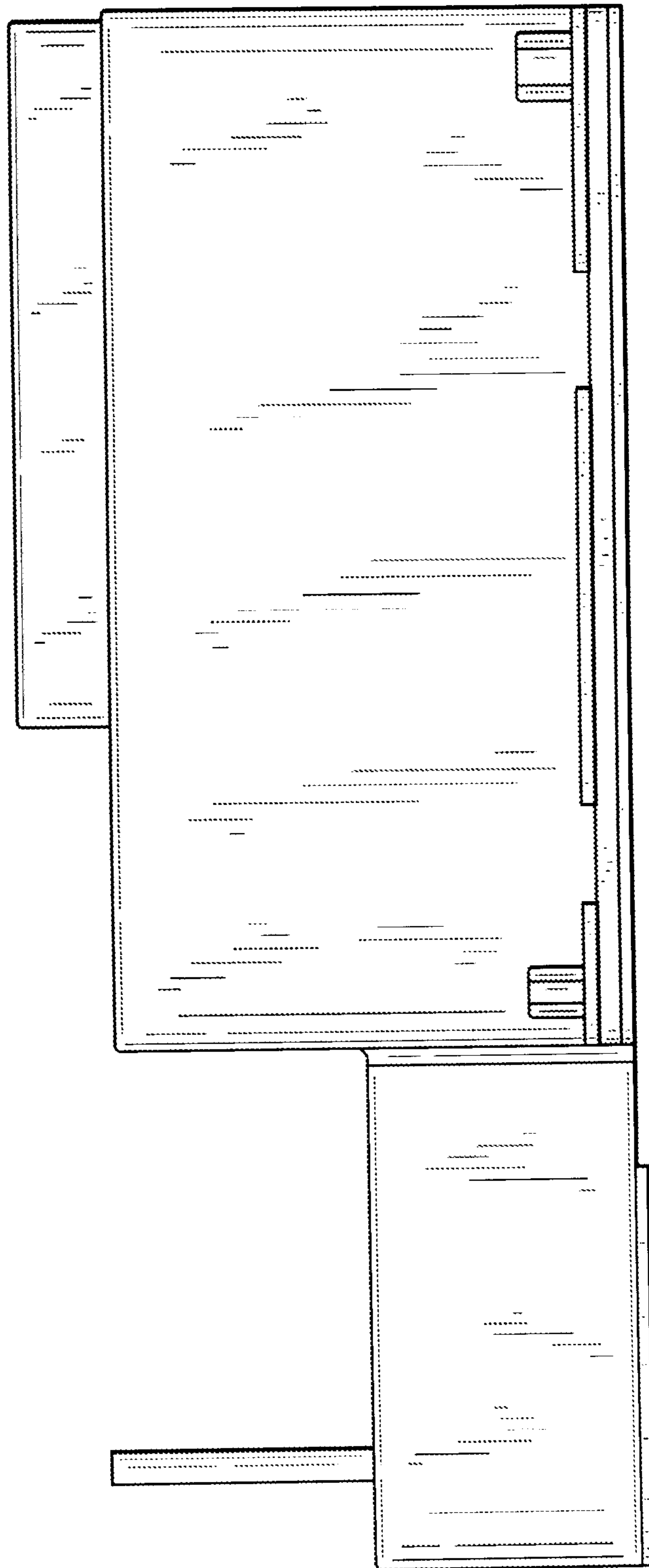


FIG. 5

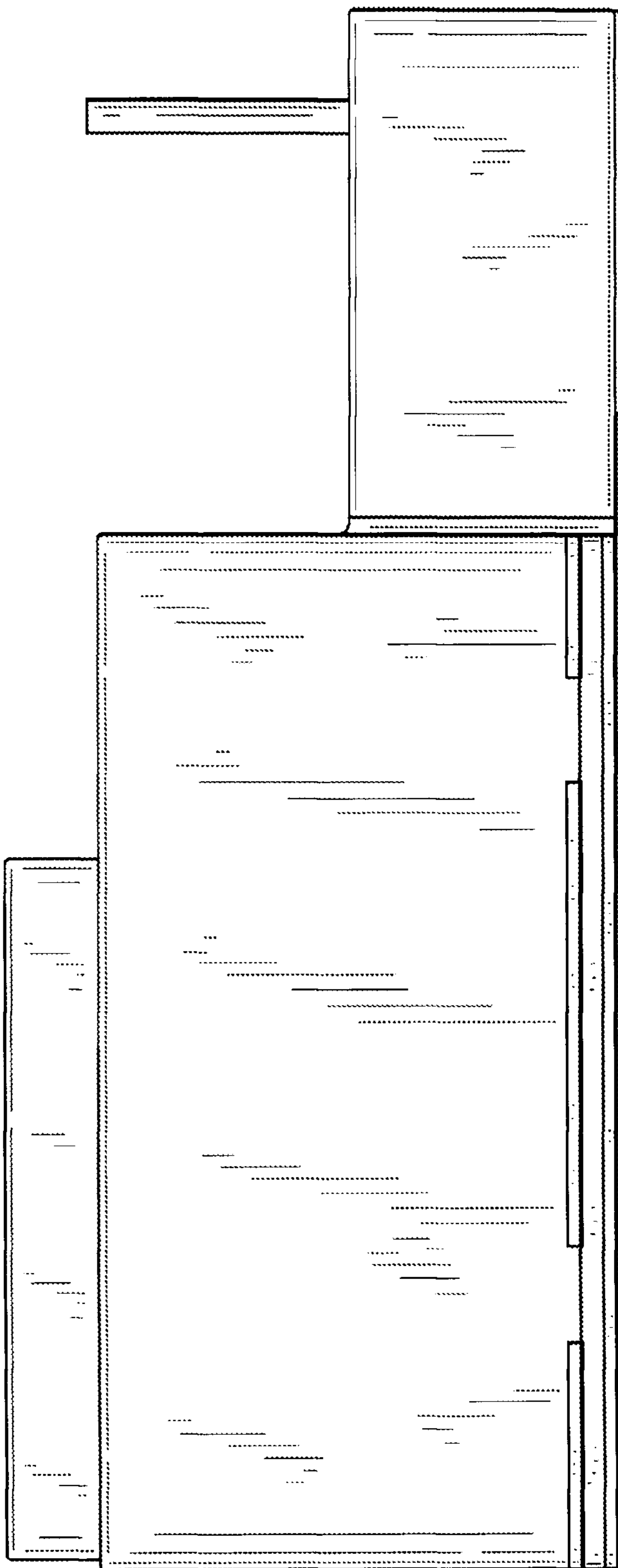


FIG. 7

