



US00D674110S

(12) **United States Design Patent**  
**Becher et al.**

(10) **Patent No.:** **US D674,110 S**

(45) **Date of Patent:** **\*\* Jan. 8, 2013**

(54) **PIPETTING ROBOT FOR LABORATORY USE**

(75) Inventors: **Hubert Becher**, Kressbronn (DE);  
**Manuel Renz**, Lindau (DE)

(73) Assignee: **DORNIER-LTF GmbH**, Lindau (DE)

(\*\*) Term: **14 Years**

(21) Appl. No.: **29/397,512**

(22) Filed: **Jul. 18, 2011**

(30) **Foreign Application Priority Data**

Jan. 27, 2011 (DE) ..... 40 2011 000 466

(51) **LOC (9) Cl.** ..... **24-01**

(52) **U.S. Cl.** ..... **D24/216**

(58) **Field of Classification Search** ..... D24/216,  
D24/217, 219, 231, 232, 107, 169, 186, 222;  
D10/81; 422/500, 547, 62-65, 67; 435/287.1,  
435/287.3; 436/43, 45, 47; 73/864.21

See application file for complete search history.

(56) **References Cited**

**U.S. PATENT DOCUMENTS**

4,223,558 A \* 9/1980 Schmider et al. .... 422/562  
D269,703 S \* 7/1983 Parker ..... D24/222  
D523,153 S \* 6/2006 Akashi et al. .... D24/232  
D527,464 S \* 8/2006 Ina et al. .... D24/232  
D591,864 S \* 5/2009 Schmidt ..... D24/216  
D612,276 S \* 3/2010 Duffy et al. .... D10/81

8,034,293 B2 \* 10/2011 Kumar et al. .... 422/65  
D649,075 S \* 11/2011 Chan et al. .... D10/81  
2009/0155123 A1 \* 6/2009 Williams et al. .... 422/65  
2010/0304472 A1 \* 12/2010 Kim et al. .... 435/304.1  
2011/0232397 A1 \* 9/2011 Schenk ..... 73/864.13

\* cited by examiner

*Primary Examiner* — Anhdao Doan

(74) *Attorney, Agent, or Firm* — W. F. Fasse

(57) **CLAIM**

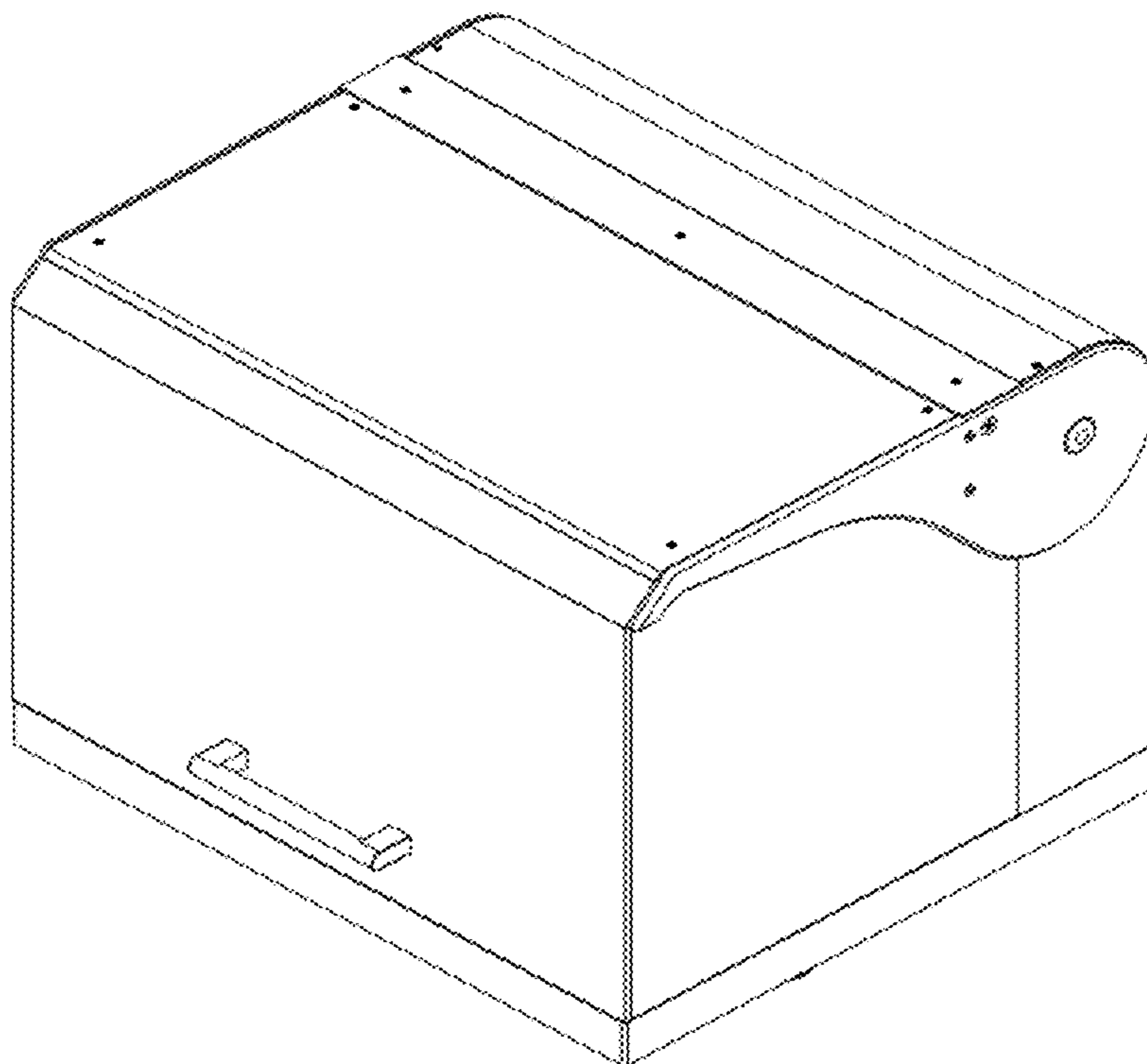
The ornamental design for a pipetting robot for laboratory use, as shown and described.

**DESCRIPTION**

FIG. 1 is a top front right perspective view of a pipetting robot for laboratory use showing our new design; FIG. 2 is another perspective view thereof showing an alternative state in which the cover hood is open; FIG. 3 is a bottom front right perspective view thereof; FIG. 4 is a left elevation view thereof; FIG. 5 is a front elevation view thereof; FIG. 6 is a right elevation view thereof; and, FIG. 7 is a top plan view thereof.

The rear view of the pipetting robot for laboratory use, which is not shown in the drawings or described in the specification, forms no part of the claimed design. The broken lines in FIG. 2 illustrate portions of the pipetting robot for laboratory use that form no part of the claimed design.

**1 Claim, 7 Drawing Sheets**



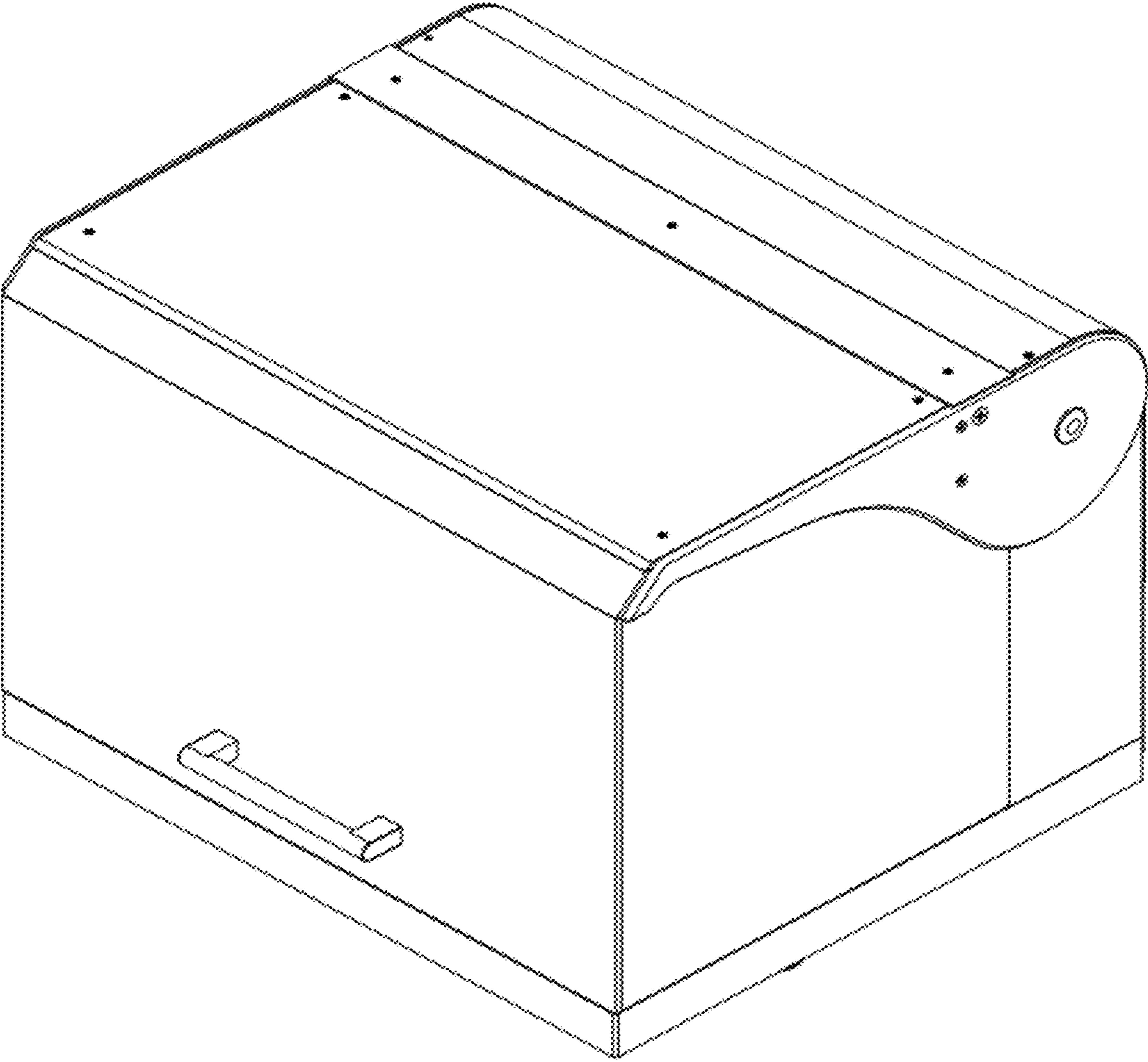


FIG. 1

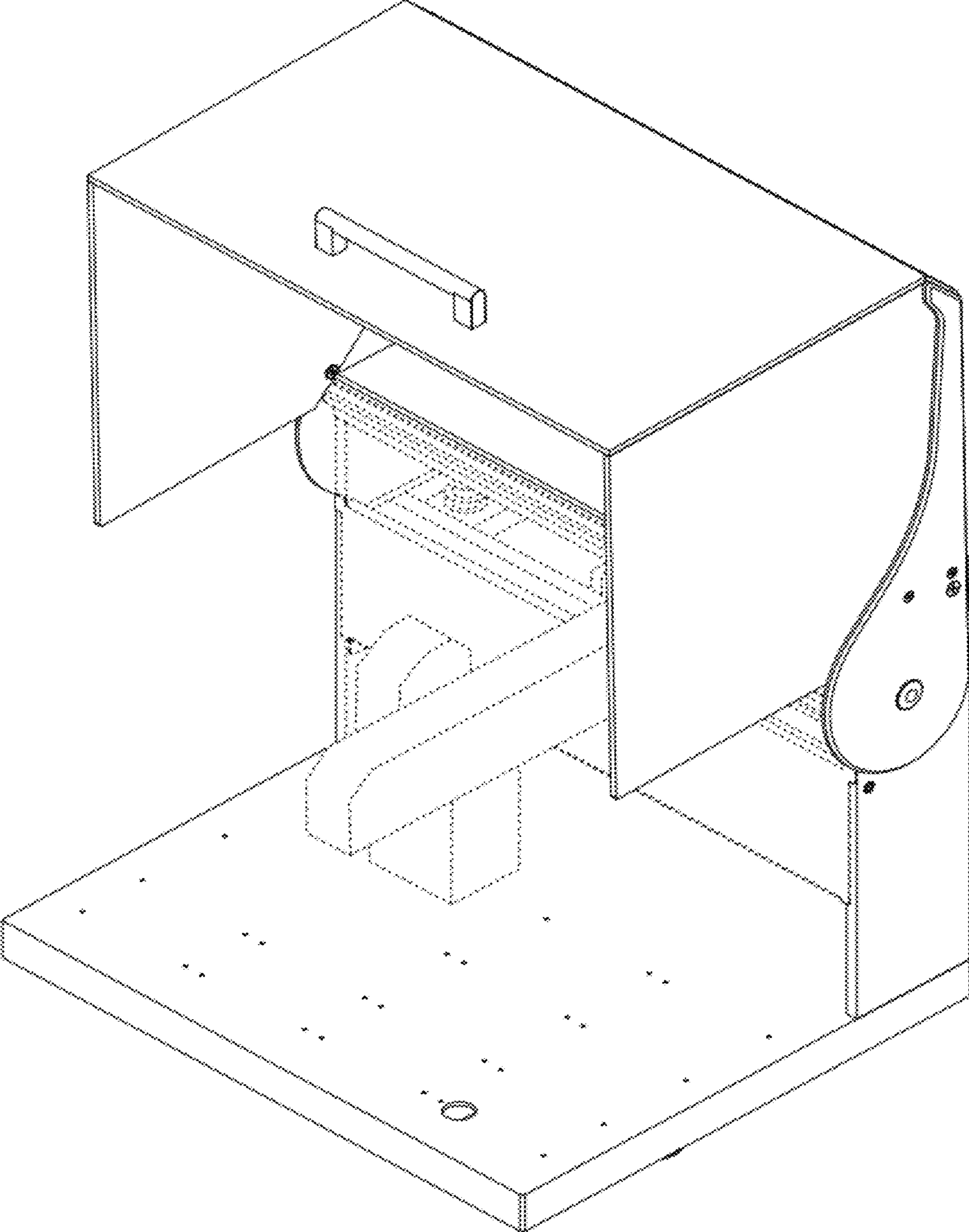


FIG. 2



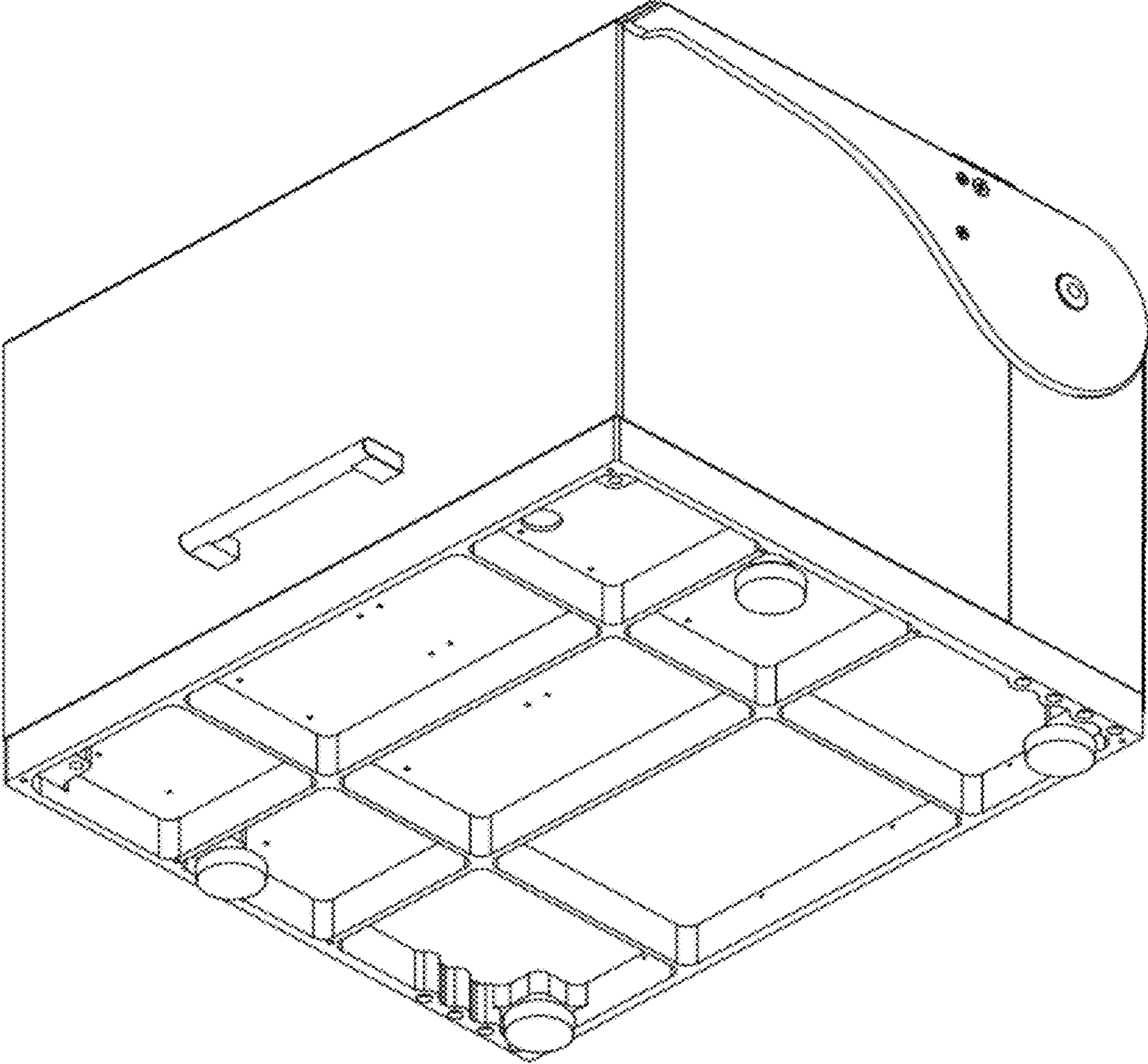


FIG. 3

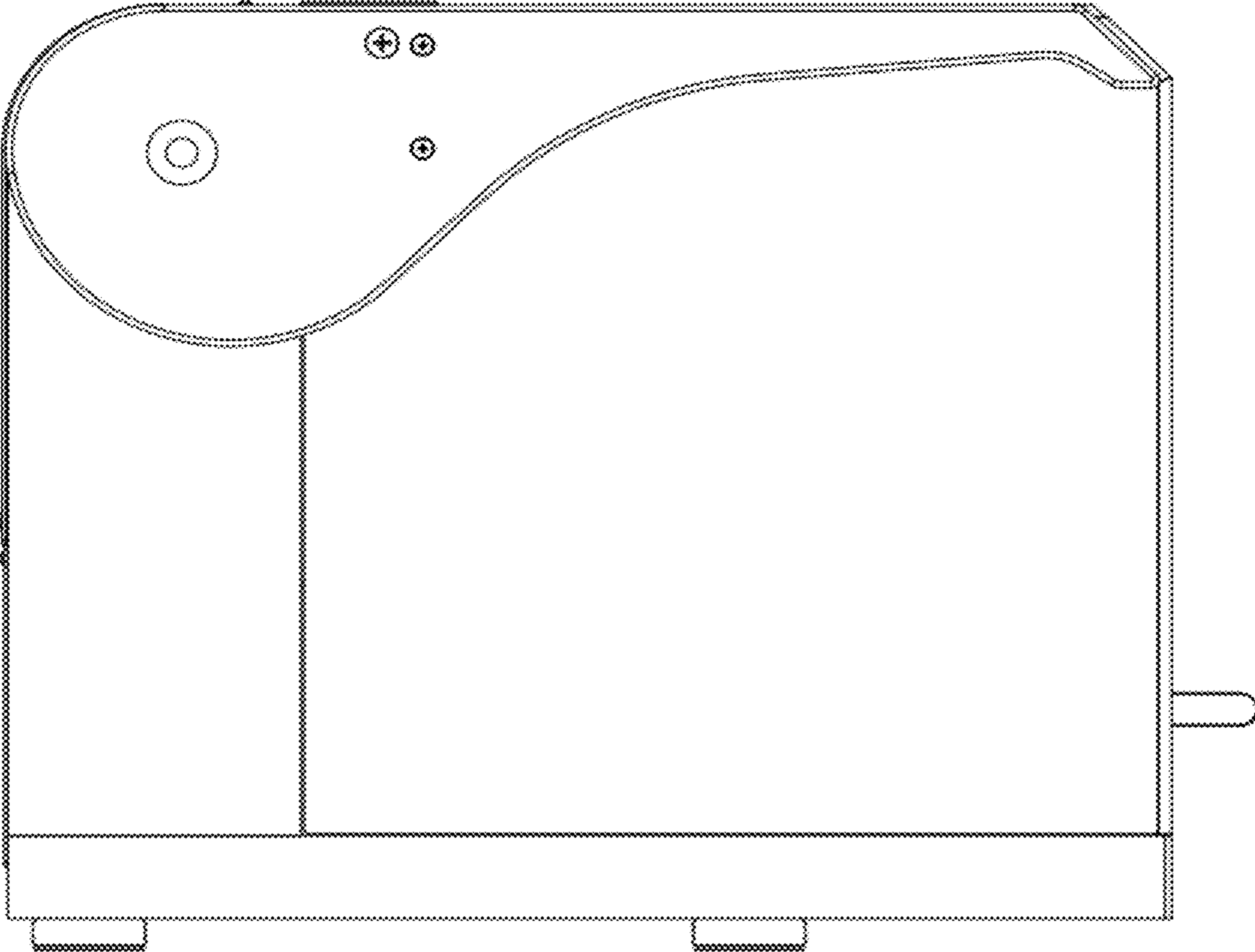


FIG. 4

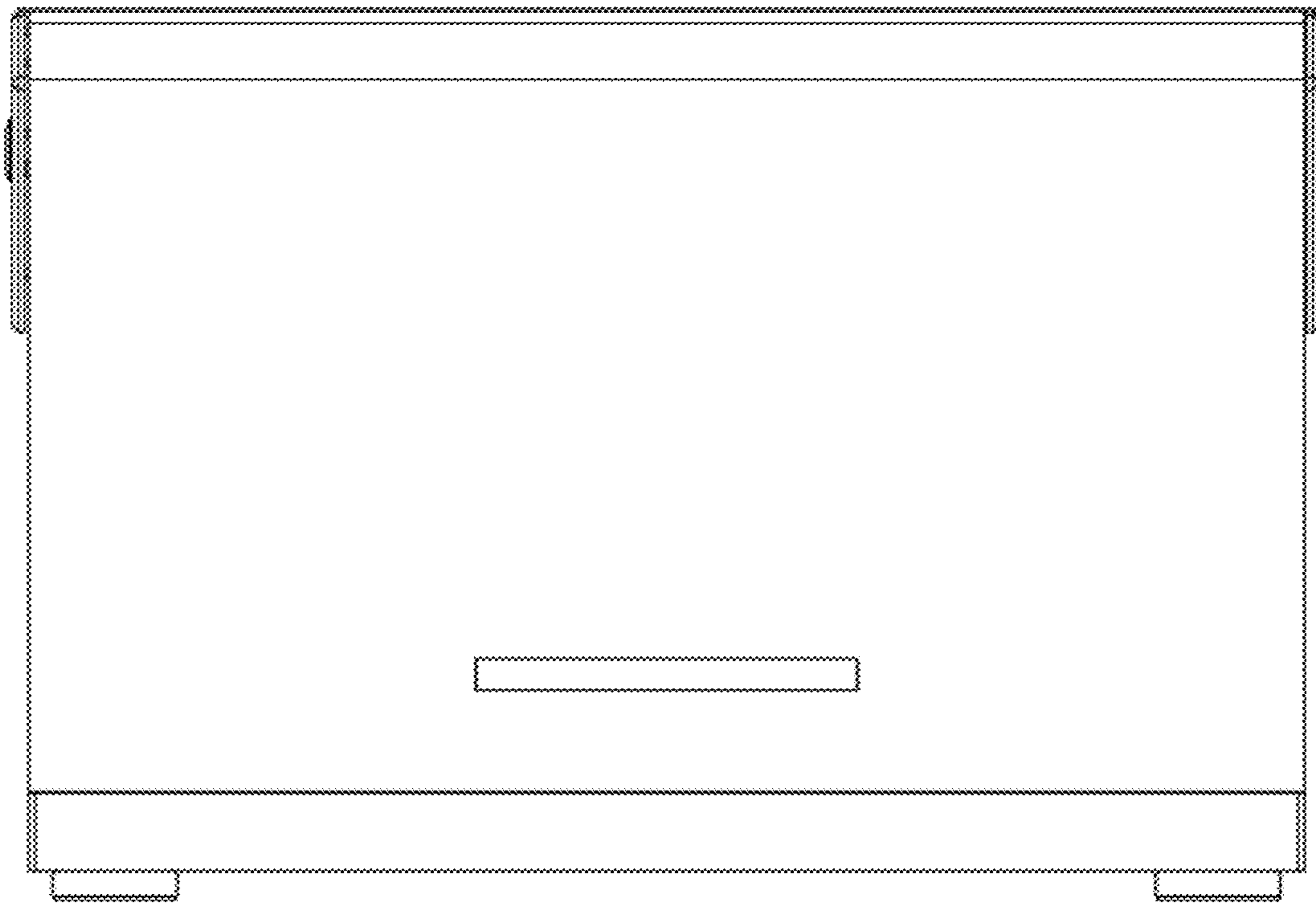


FIG. 5

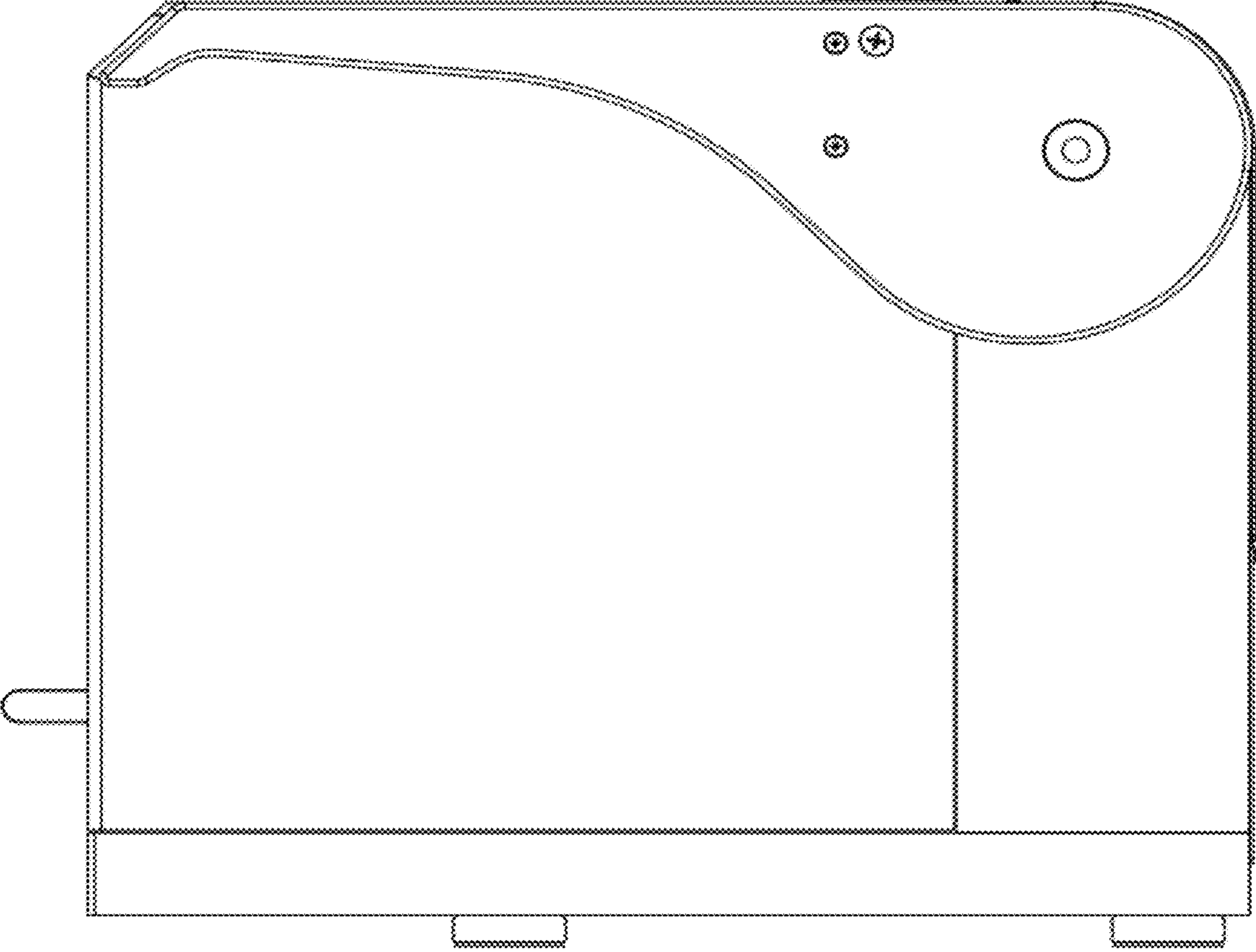


FIG. 6

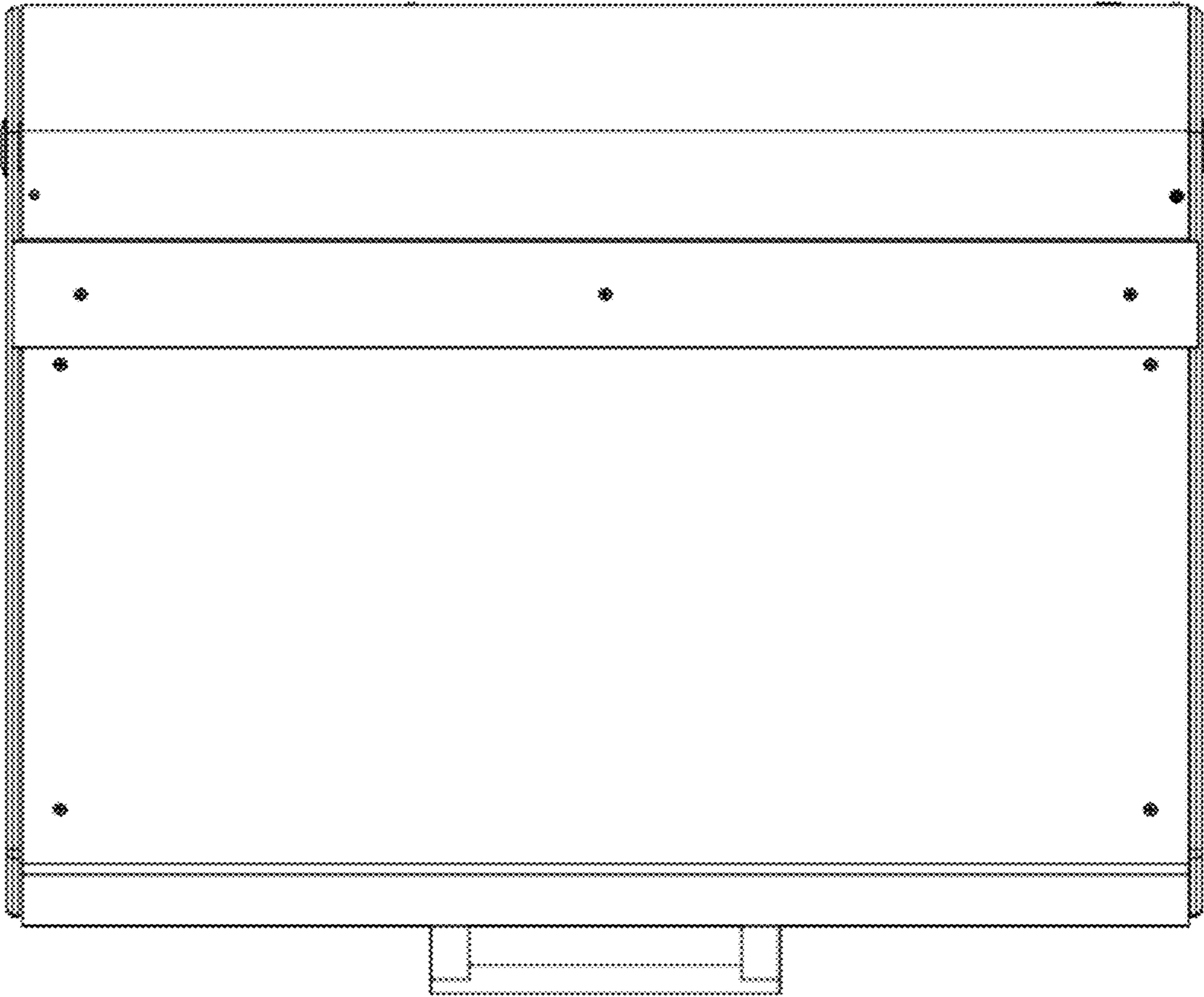


FIG. 7