



US00D674103S

(12) **United States Design Patent**  
**Smith**

(10) **Patent No.:** **US D674,103 S**

(45) **Date of Patent:** **\*\* Jan. 8, 2013**

(54) **TOP ASSEMBLY WITH CAP FOR BABY BOTTLE**

(75) Inventor: **Peter Smith**, Amsterdam (NL)

(73) Assignee: **Koninklijke Philips Electronics N.V.**,  
Eindhoven (NL)

(\*\*) Term: **14 Years**

(21) Appl. No.: **29/409,164**

(22) Filed: **Dec. 21, 2011**

(30) **Foreign Application Priority Data**

Jun. 21, 2011 (EM) ..... 001880774-0007

(51) **LOC (9) Cl.** ..... **07-01**

(52) **U.S. Cl.** ..... **D24/197**

(58) **Field of Classification Search** ..... D24/193-199,  
D24/117; D7/510-511, 533-534; D9/445,  
D9/453, 454, 500, 532, 533, 542, 547, 551,  
D9/552; 215/6, 11.1-11.6, 381, 387, 398,  
215/DIG. 8; 219/202

See application file for complete search history.

(56) **References Cited**

**U.S. PATENT DOCUMENTS**

D316,900	S	*	5/1991	White et al.	.....	D24/197
D358,530	S	*	5/1995	Mehra et al.	.....	D7/510
D390,964	S	*	2/1998	Mercer et al.	.....	D24/197
D396,639	S	*	8/1998	Pedersen-Rask	.....	D9/454
D425,994	S	*	5/2000	Hakim	.....	D24/197
D461,679	S	*	8/2002	Robinson et al.	.....	D7/392.1
D523,333	S	*	6/2006	Moretti	.....	D9/444
D530,609	S	*	10/2006	Beaver et al.	.....	D9/445
D532,112	S	*	11/2006	Lornage	.....	D24/197

D532,296	S	*	11/2006	Beaver et al.	.....	D9/445
D534,076	S	*	12/2006	Green et al.	.....	D9/435
D536,931	S	*	2/2007	Spellman	.....	D7/594
D539,095	S	*	3/2007	Snyder et al.	.....	D7/597
D543,632	S	*	5/2007	Lornage	.....	D24/197
7,234,606	B2	*	6/2007	Kraus et al.	.....	215/11.1
D546,463	S	*	7/2007	Potvin	.....	D24/197
D568,743	S	*	5/2008	Kunesh et al.	.....	D9/445
D609,527	S	*	2/2010	Roehrig et al.	.....	D7/510
D615,357	S	*	5/2010	Richau et al.	.....	D7/510
D615,818	S	*	5/2010	Jansen	.....	D7/515
D625,561	S	*	10/2010	Ablo	.....	D7/511
D650,280	S	*	12/2011	de Peyerimhoff et al.	.....	D9/504
D663,038	S	*	7/2012	Enghard	.....	D24/197
2006/0081552	A1	*	4/2006	Jiang	.....	215/11.1
2009/0255895	A1	*	10/2009	Kiehne	.....	215/11.5
2012/0193317	A1	*	8/2012	Brown et al.	.....	215/6

\* cited by examiner

*Primary Examiner* — Susan E Krakower

(57) **CLAIM**

The ornamental design for a top assembly with cap for baby bottle, as shown and described.

**DESCRIPTION**

FIG. 1 is a perspective view of a top assembly with cap for baby bottle showing my design;

FIG. 2 is a front elevational view thereof;

FIG. 3 is a rear elevational view thereof;

FIG. 4 is a right side elevational view thereof;

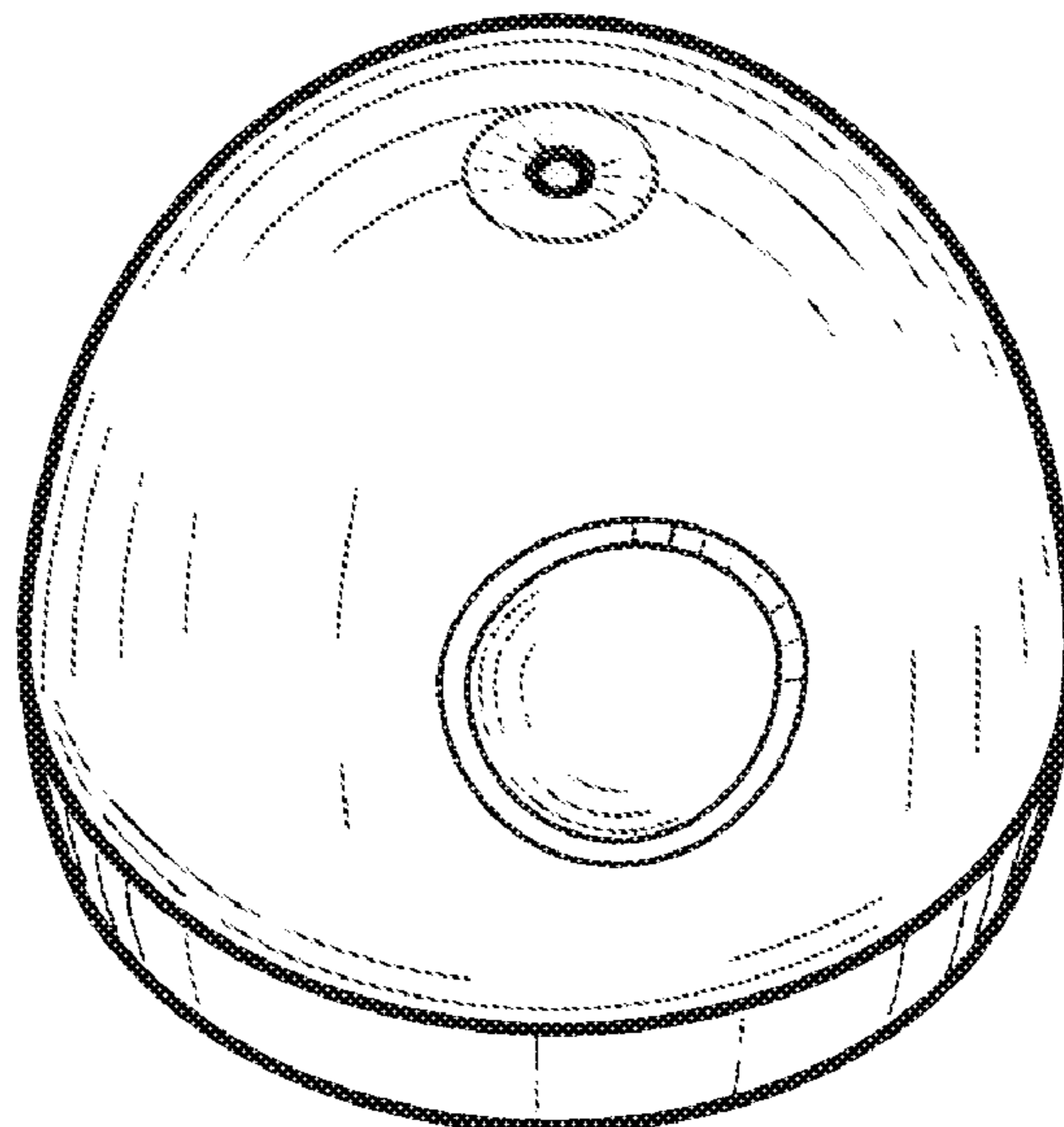
FIG. 5 is a left side elevational view thereof;

FIG. 6 is a top plan view thereof; and,

FIG. 7 is a bottom plan view thereof.

The broken lines in FIG. 7 illustrate portions of the top assembly with cap for baby bottle which forms no part of the claimed design.

**1 Claim, 3 Drawing Sheets**



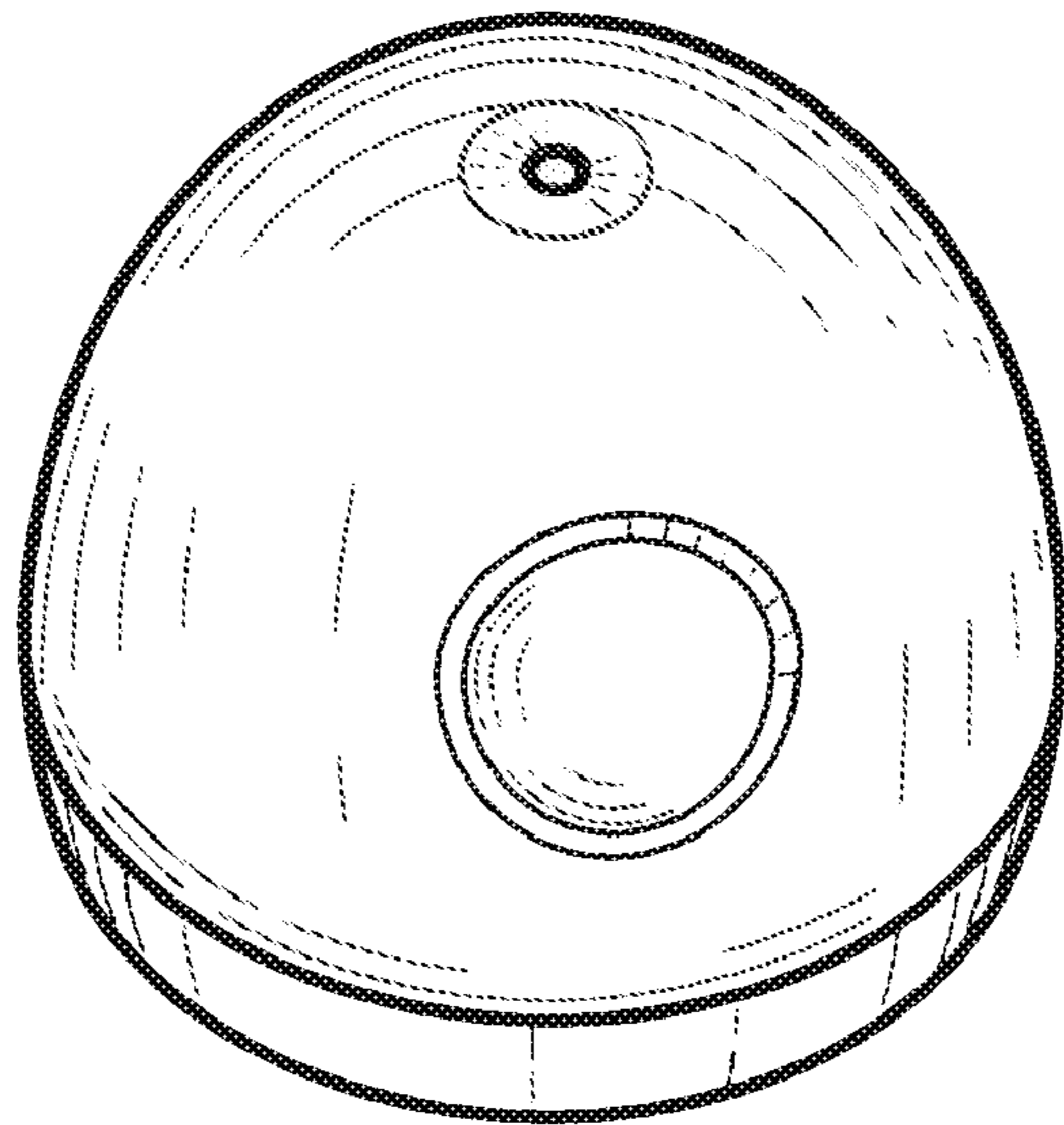


FIG. 1

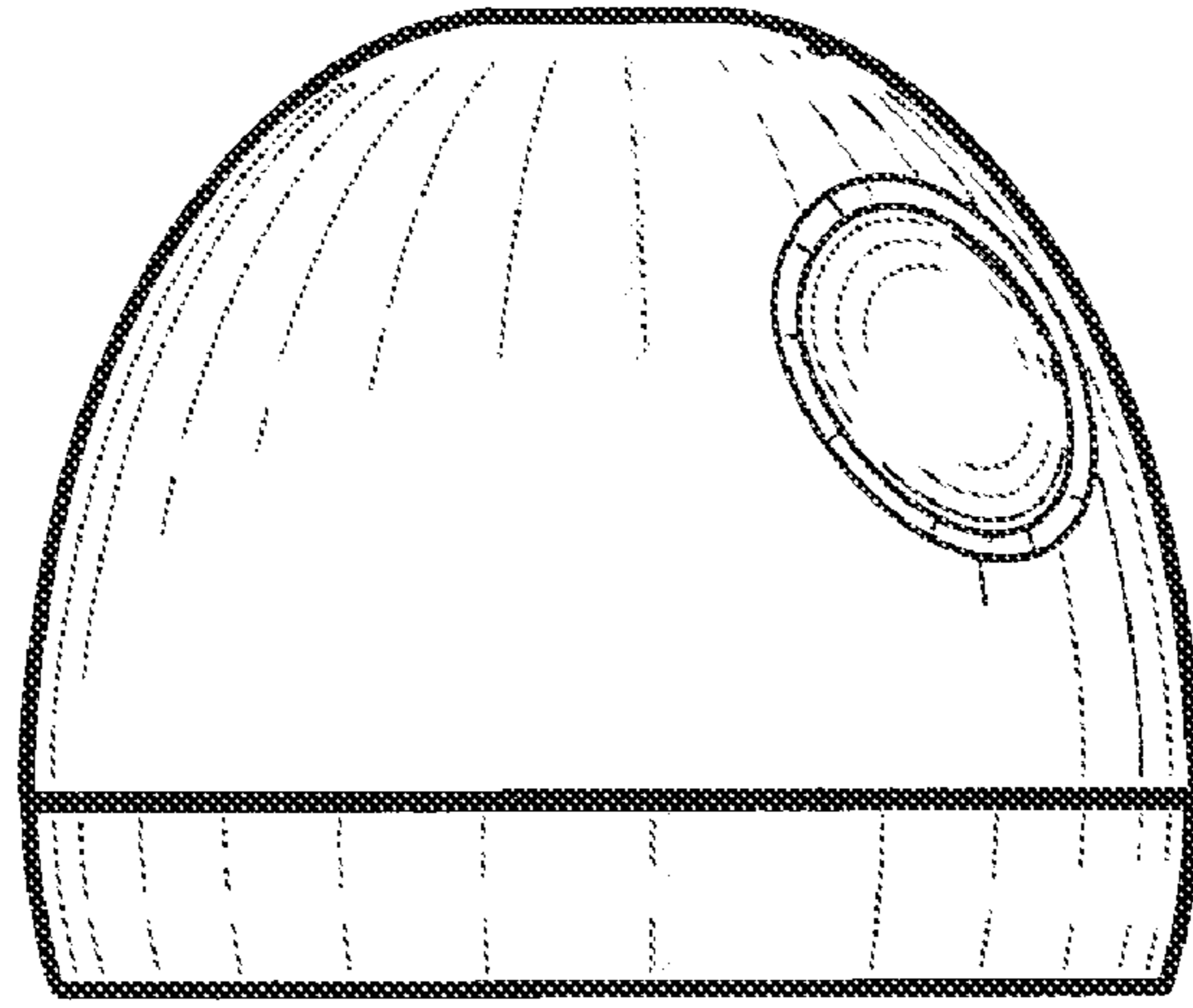


FIG. 2

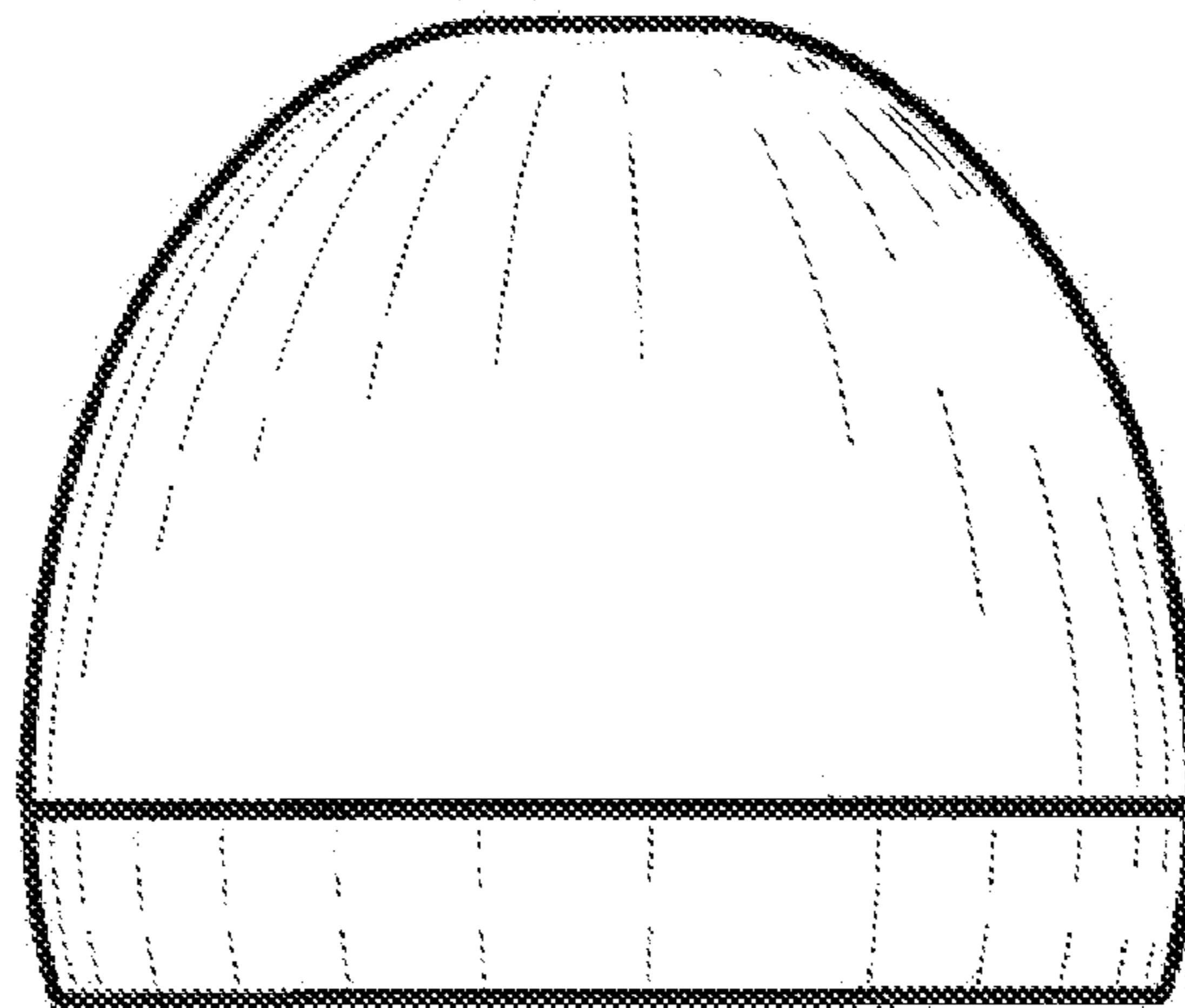


FIG. 3

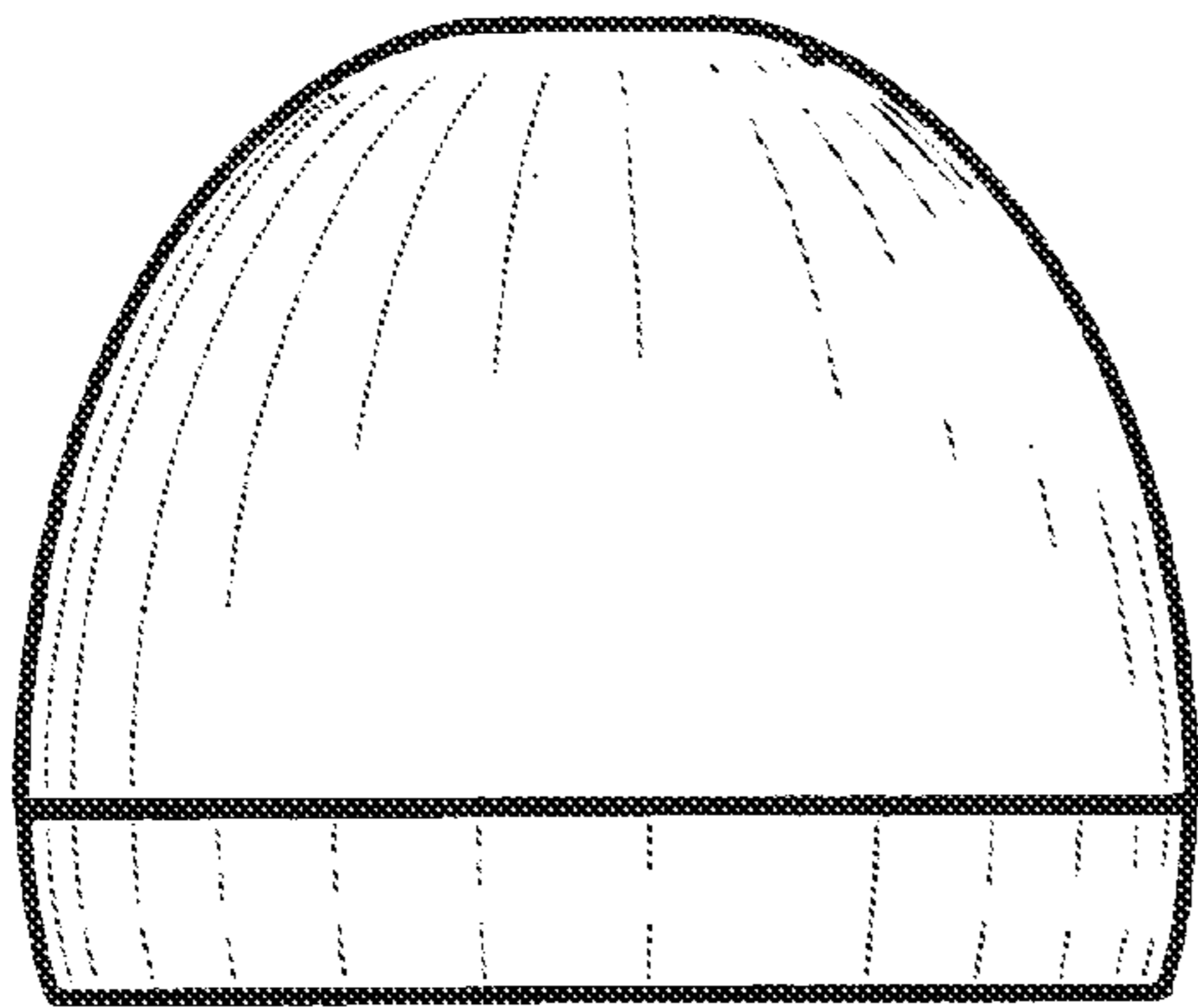


FIG. 4

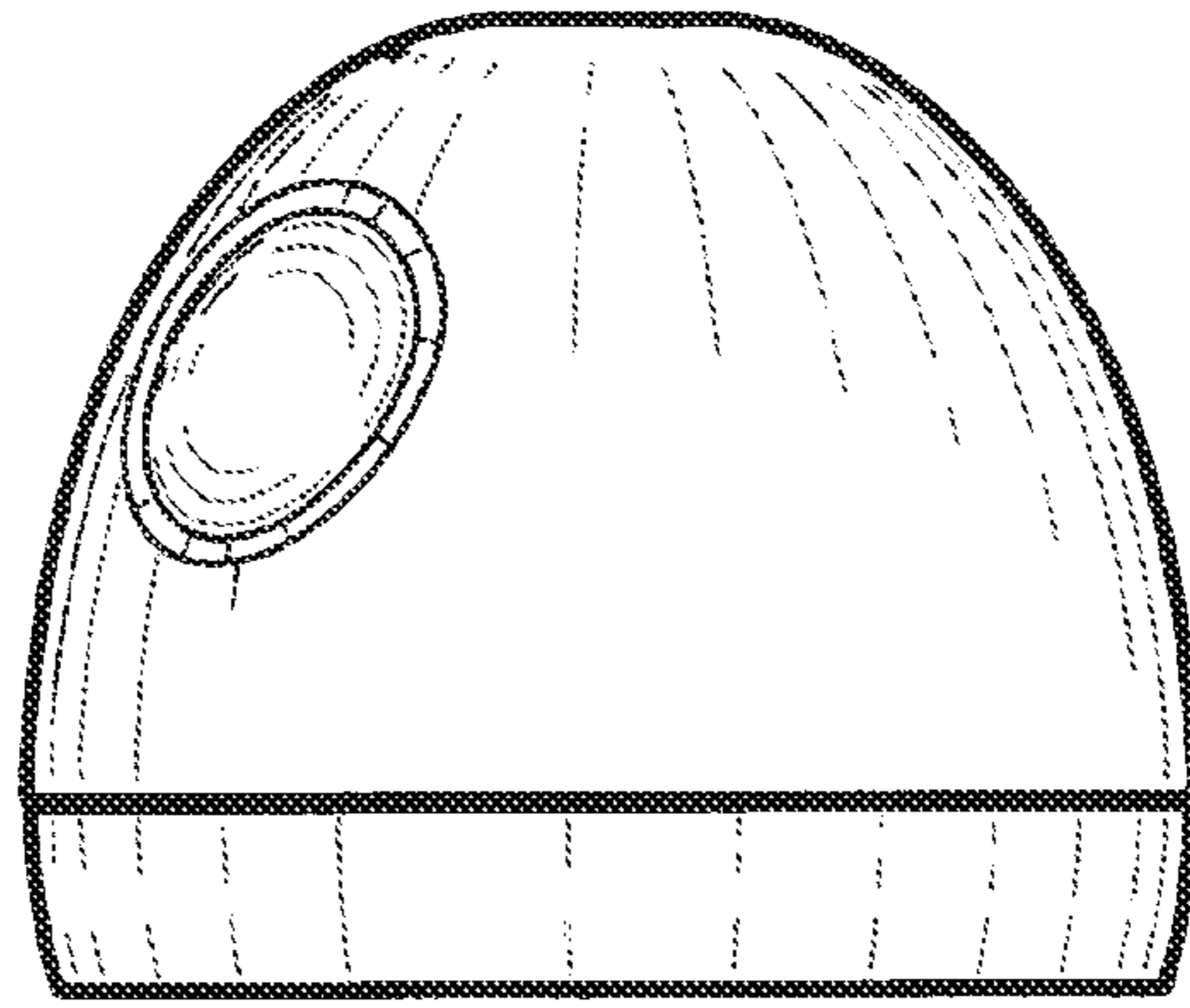


FIG. 5

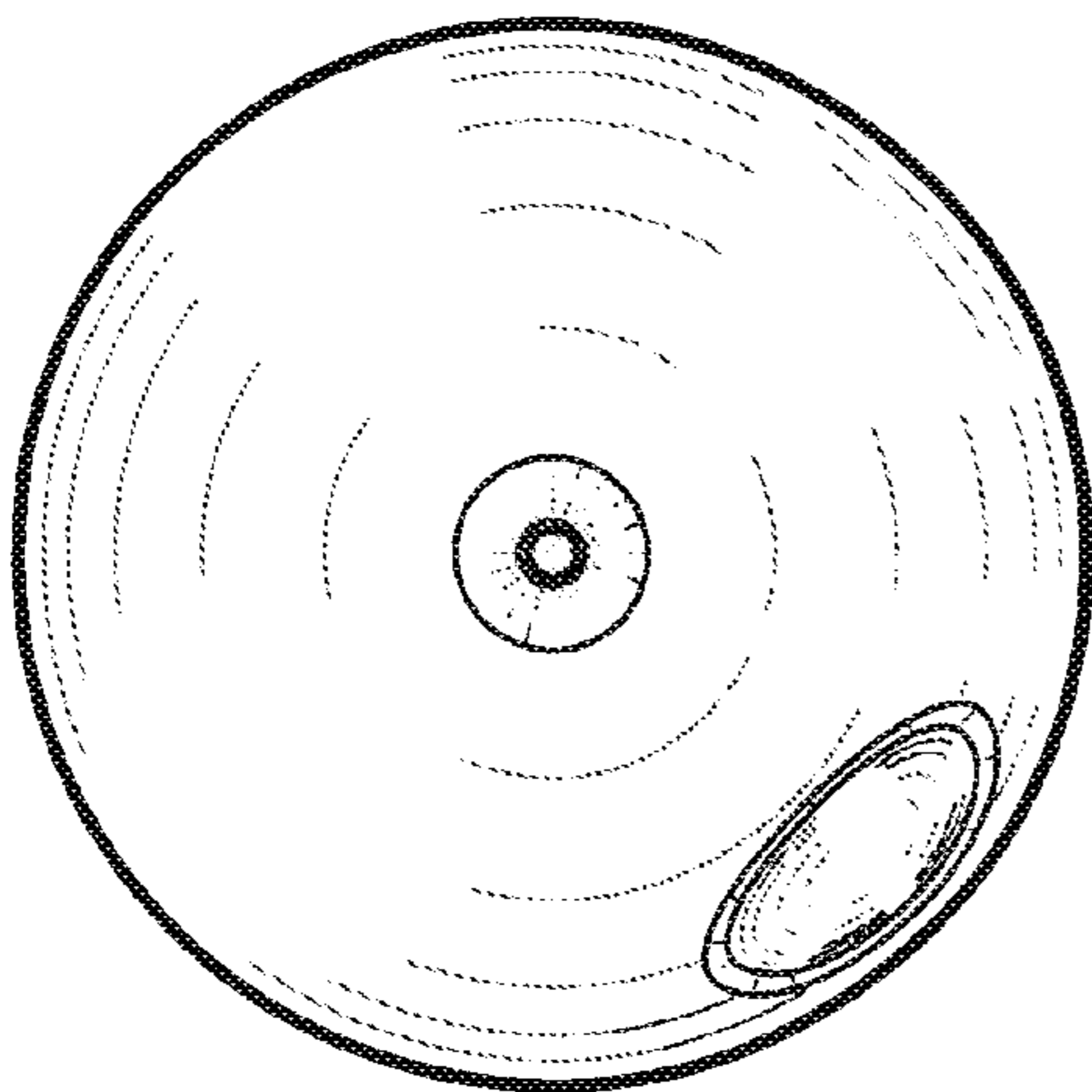


FIG. 6

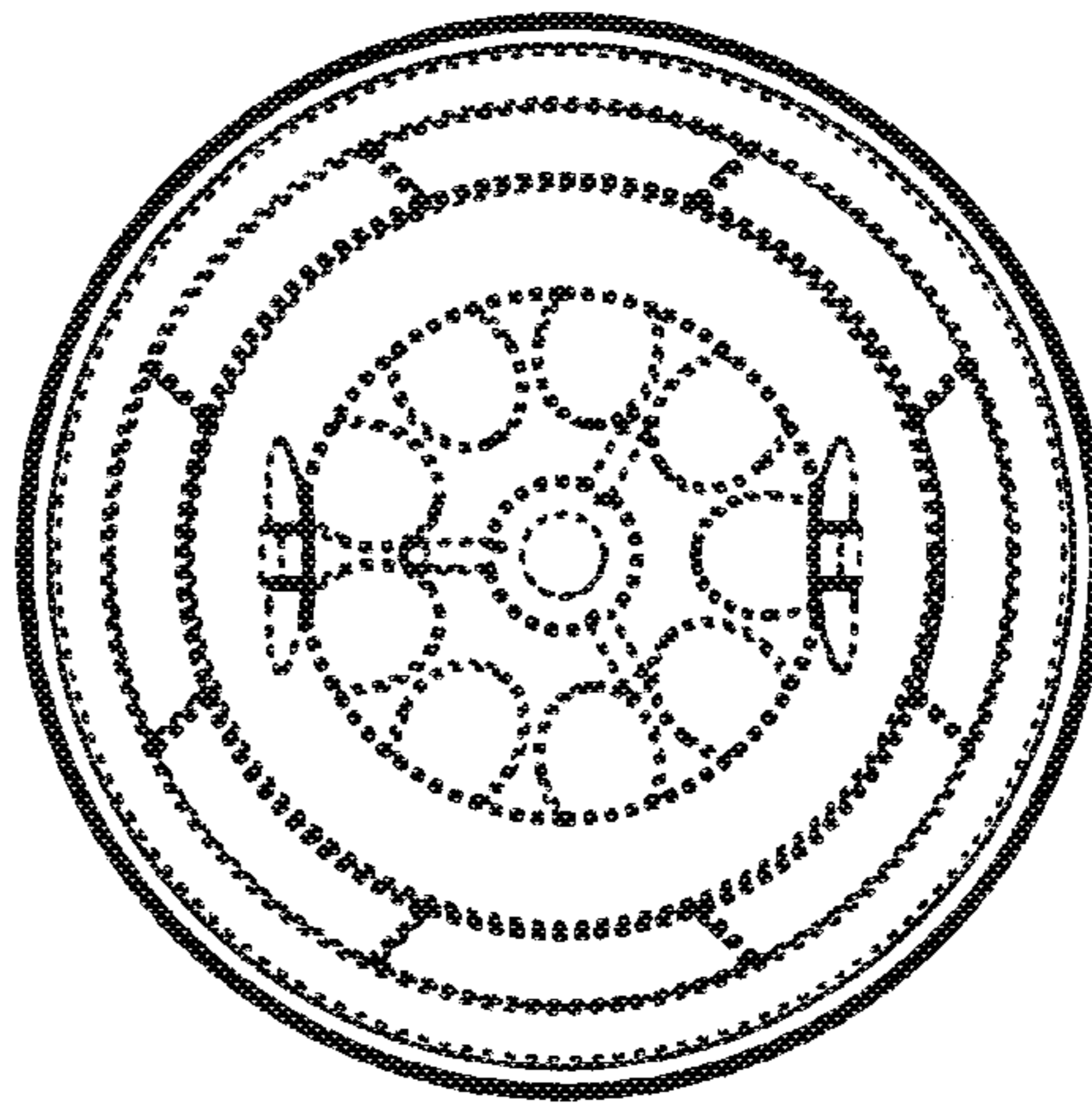


FIG. 7