



US00D674100S

(12) **United States Design Patent**  
**Smith**

(10) **Patent No.:** **US D674,100 S**  
(45) **Date of Patent:** **\*\* Jan. 8, 2013**

(54) **BABY BOTTLE**

(75) Inventor: **Peter Smith**, Amsterdam (NL)

(73) Assignee: **Koninklijke Philips Electronics N.V.**,  
Eindhoven (NL)

(\*\*) Term: **14 Years**

(21) Appl. No.: **29/409,157**

(22) Filed: **Dec. 21, 2011**

(30) **Foreign Application Priority Data**

Jun. 21, 2011 (EM) ..... 001880774-0001

(51) **LOC (9) Cl.** ..... **07-01**

(52) **U.S. Cl.** ..... **D24/197; D7/510**

(58) **Field of Classification Search** ..... D24/193-199,  
D24/117; D7/510-511, 533-534; D9/445,  
D9/453, 454, 500, 532, 533, 542, 547, 551,  
D9/552; 215/6, 11.1-11.6, 381, 387, 398,  
215/DIG. 8; 219/202

See application file for complete search history.

(56) **References Cited**

**U.S. PATENT DOCUMENTS**

D368,138 S *	3/1996	Hamilton	.....	D24/197
D399,005 S *	9/1998	Chan et al.	.....	D24/197
D420,448 S *	2/2000	Brown et al.	.....	D24/197
D423,107 S *	4/2000	Brown et al.	.....	D24/197
D425,994 S *	5/2000	Hakim	.....	D24/197
D441,087 S *	4/2001	Johansen et al.	.....	D24/197
D496,733 S *	9/2004	Morano et al.	.....	D24/197
D499,490 S *	12/2004	Conaway	.....	D24/197
D511,385 S *	11/2005	Lieberman et al.	.....	D24/197

D512,639 S *	12/2005	Weber	.....	D9/529
D539,095 S *	3/2007	Snyder et al.	.....	D7/597
D580,708 S *	11/2008	George	.....	D7/510
D609,527 S *	2/2010	Roehrig et al.	.....	D7/510
D609,528 S *	2/2010	Roehrig et al.	.....	D7/510
D614,447 S *	4/2010	Richau et al.	.....	D7/510
D620,125 S *	7/2010	Rees et al.	.....	D24/197
D620,315 S *	7/2010	Boonprasop	.....	D7/509
D625,423 S *	10/2010	MacKay et al.	.....	D24/197
D625,561 S *	10/2010	Ablo	.....	D7/511
D626,246 S *	10/2010	Rees et al.	.....	D24/197
D642,437 S *	8/2011	Schofield et al.	.....	D7/510
D642,866 S *	8/2011	Schofield et al.	.....	D7/510
D649,835 S *	12/2011	Lim	.....	D7/516
2009/0255895 A1 *	10/2009	Kiehne	.....	215/11.5
2011/0155684 A1 *	6/2011	Sirota	.....	215/11.5
2012/0193317 A1 *	8/2012	Brown et al.	.....	215/6

\* cited by examiner

*Primary Examiner* — Susan E Krakower

(57) **CLAIM**

The ornamental design for a baby bottle, as shown and described.

**DESCRIPTION**

FIG. 1 is a perspective view of a baby bottle showing my design;

FIG. 2 is a front elevational view thereof;

FIG. 3 is a rear elevational view thereof;

FIG. 4 is a right side elevational view thereof;

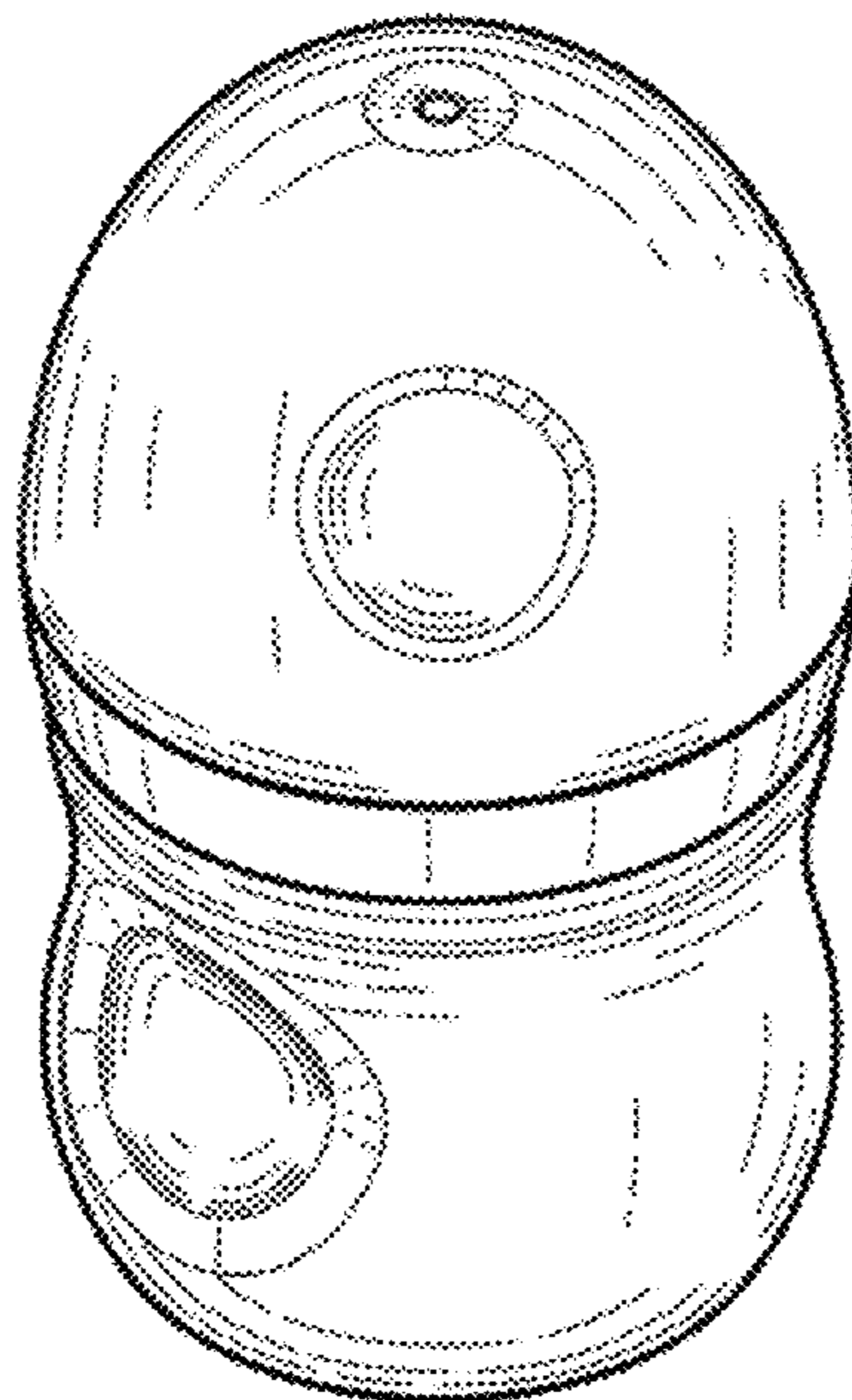
FIG. 5 is a left side elevational view thereof;

FIG. 6 is a top plan view thereof; and,

FIG. 7 is a bottom plan view thereof.

The broken lines in FIG. 7 illustrate portions of the baby bottle which form no part of the claimed design.

**1 Claim, 3 Drawing Sheets**



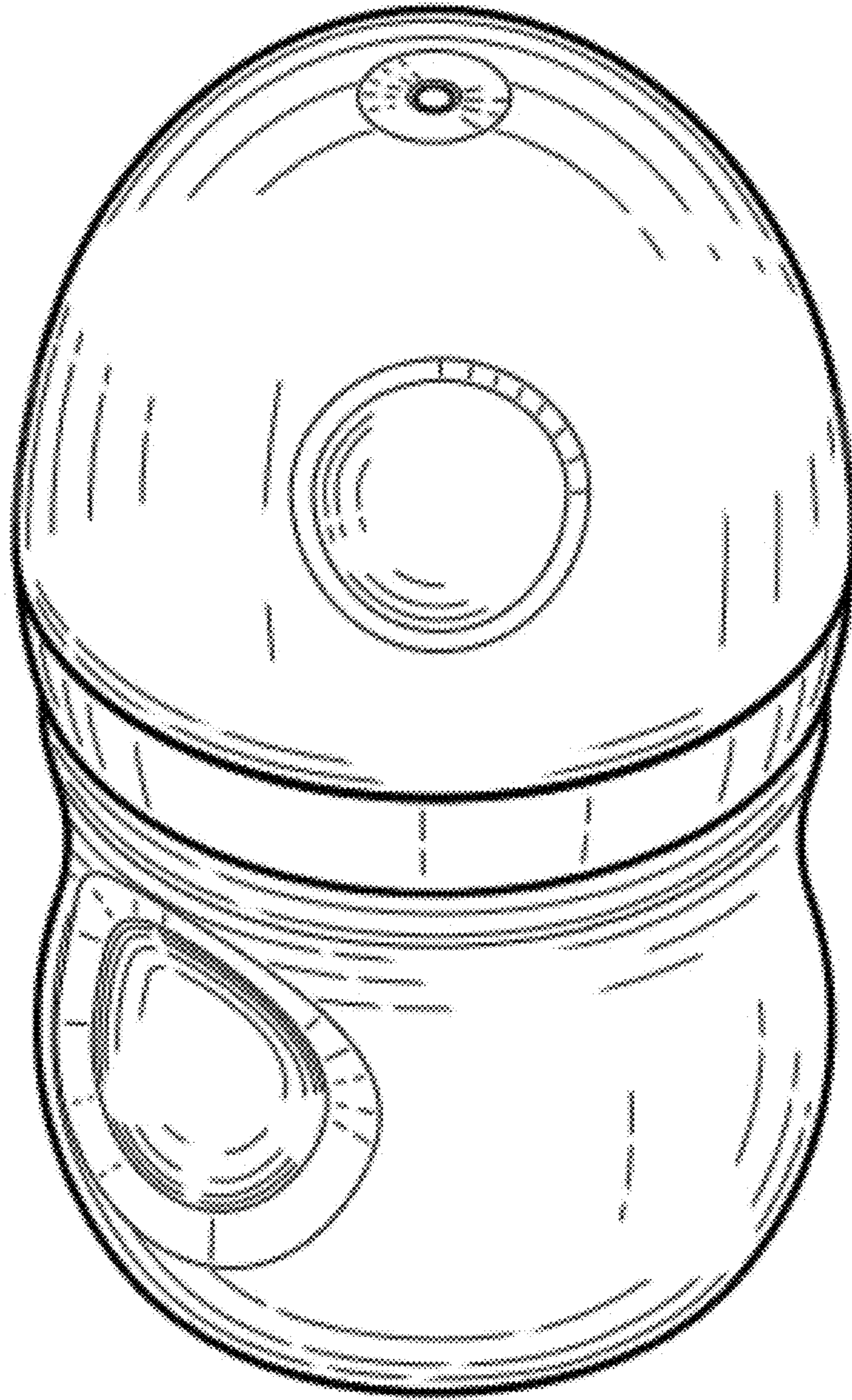


FIG. 1

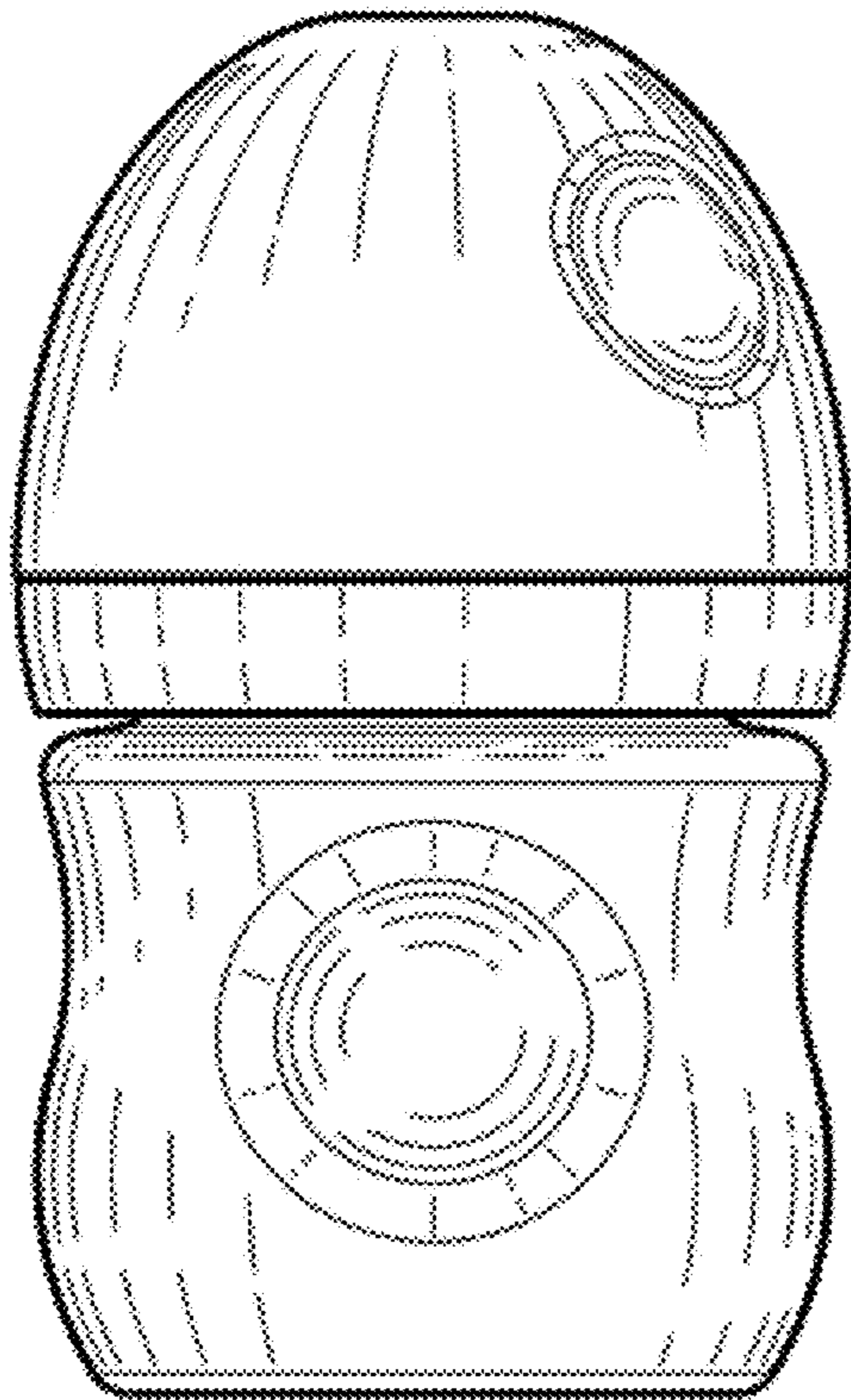


FIG. 2

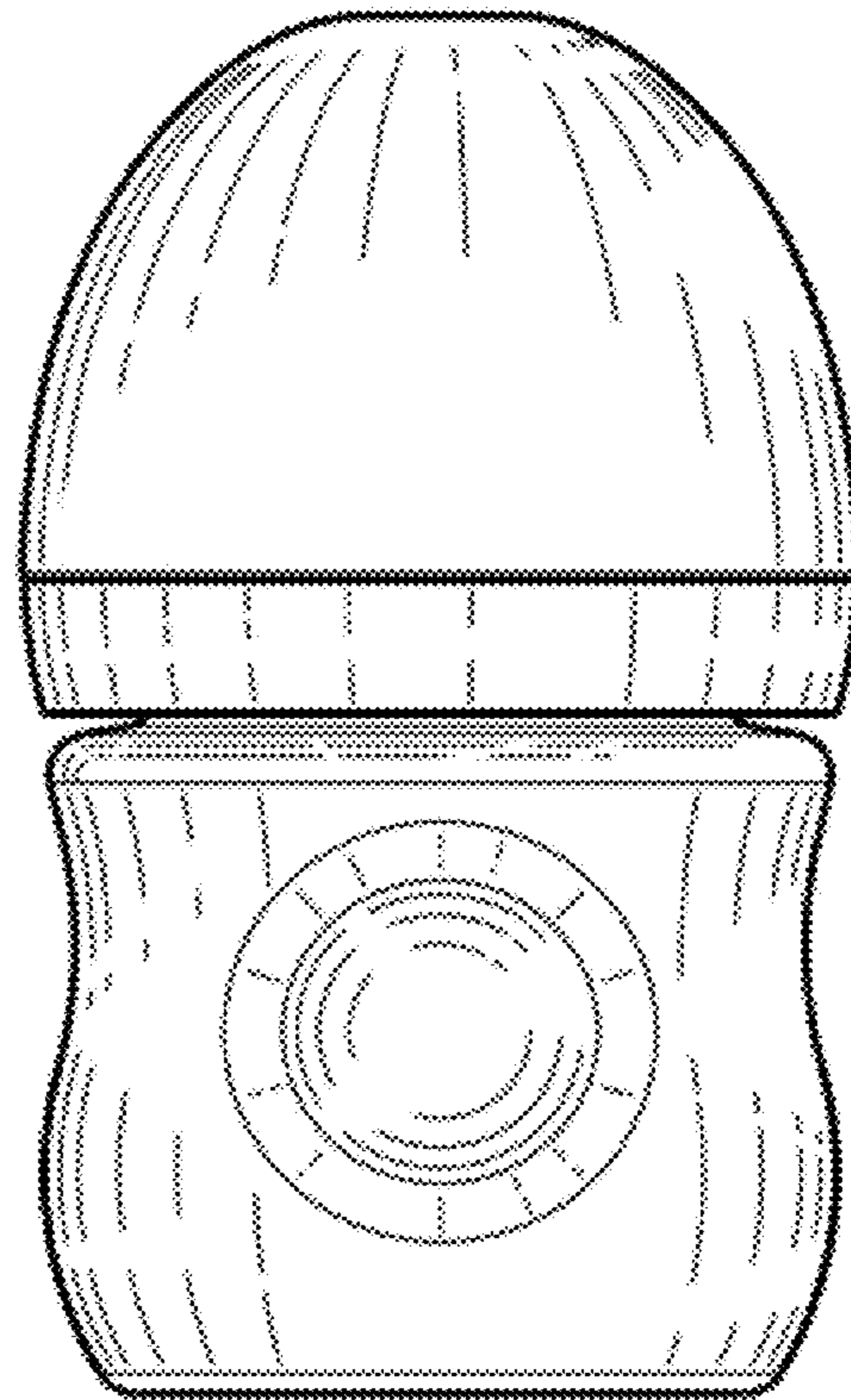


FIG. 3

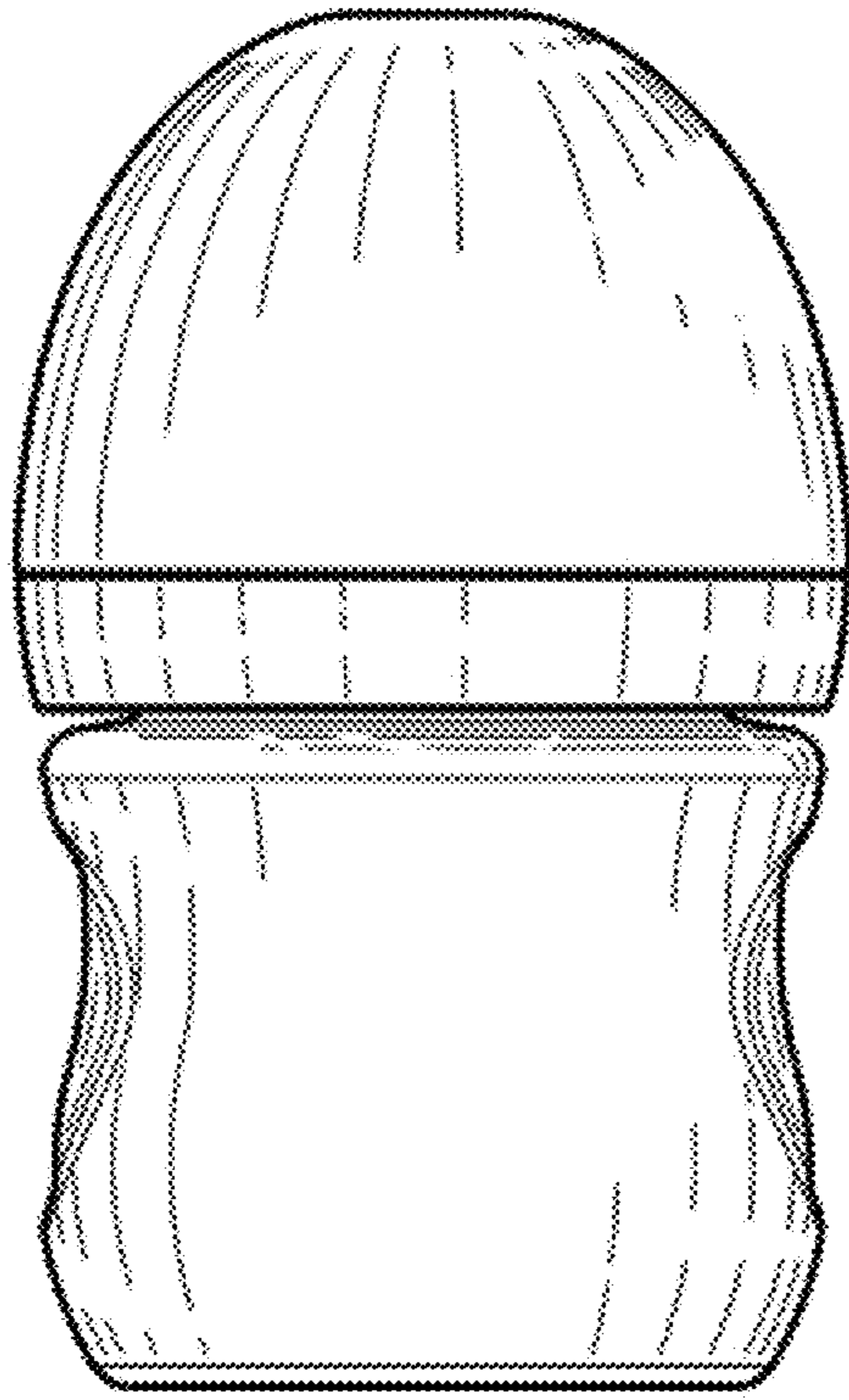


FIG. 4

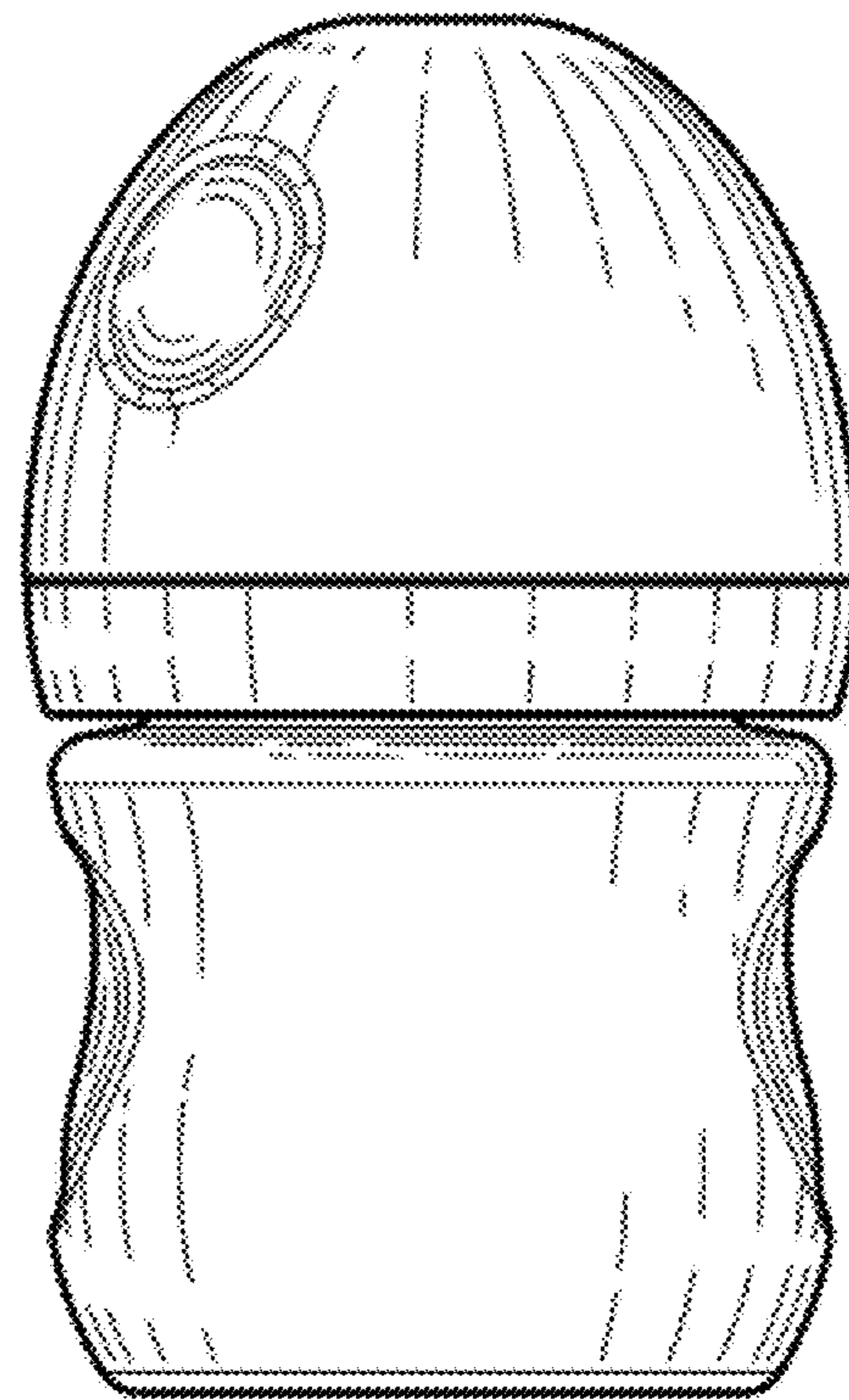


FIG. 5

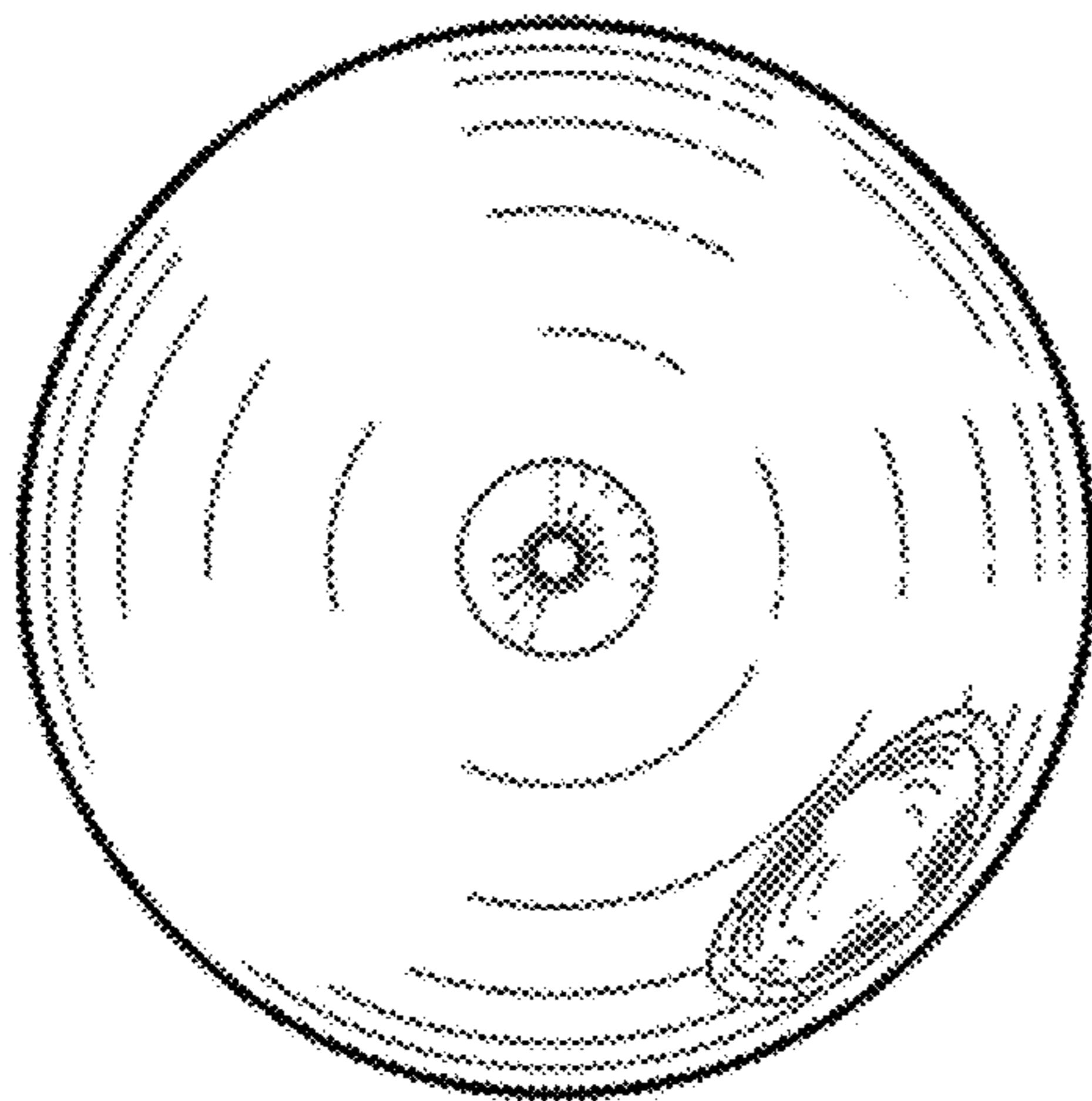


FIG. 6

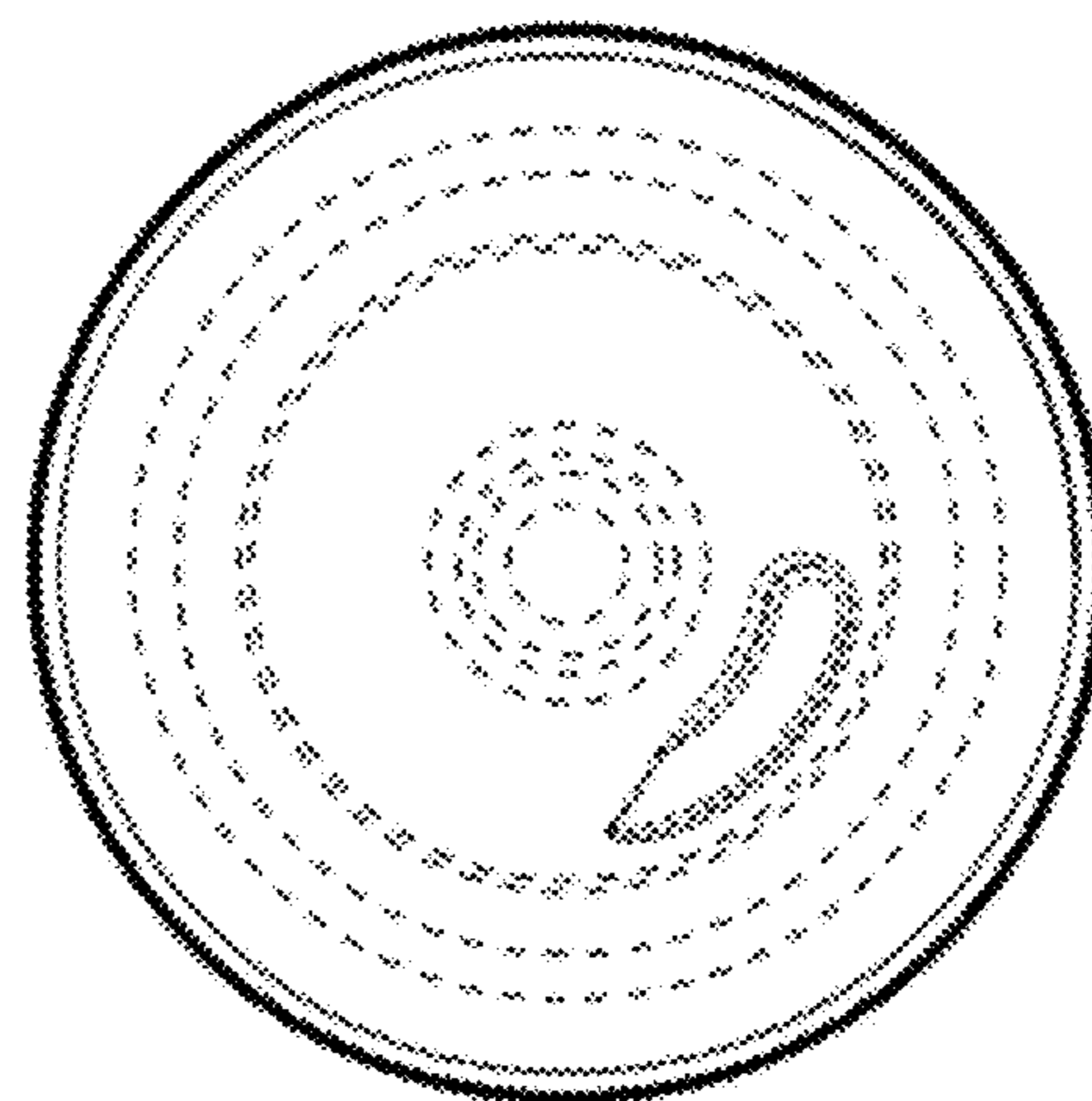


FIG. 7