



US00D674096S

(12) **United States Design Patent**
Gaw et al.

(10) **Patent No.:** **US D674,096 S**
(45) **Date of Patent:** **** Jan. 8, 2013**

(54) **ELECTRODE PAD**

(75) Inventors: **Richelle Leanne Gaw**, Greenslopes
(AU); **Todd Kirschen**, Fullerton, CA
(US)

(73) Assignee: **ImpediMed, Ltd.**, Pinkenba, QLD (AU)

(**) Term: **14 Years**

(21) Appl. No.: **29/350,474**

(22) Filed: **Nov. 17, 2009**

(51) **LOC (9) Cl.** **24-01**

(52) **U.S. Cl.** **D24/187**

(58) **Field of Classification Search** D24/168,
D24/186–187, 200, 232; D13/182; 600/372–384,
600/391; 607/62, 109, 121, 129, 139; 427/2.12
See application file for complete search history.

(56) **References Cited**

U.S. PATENT DOCUMENTS

D232,589 S *	8/1974	Hinnenkamp	D24/168
D232,590 S *	8/1974	Moore	D24/168
D425,203 S *	5/2000	Sheehan et al.	D24/187
D443,063 S *	5/2001	Pisani et al.	D24/187
D501,558 S *	2/2005	Chastain et al.	D24/187
D505,206 S *	5/2005	Chastain et al.	D24/187
D519,636 S *	4/2006	Okuda et al.	D24/168
D524,943 S *	7/2006	Faller et al.	D24/167
D541,421 S *	4/2007	Metzger et al.	D24/187
D565,183 S *	3/2008	Cheng et al.	D24/168
D598,110 S *	8/2009	Phillips et al.	D24/187
D598,111 S *	8/2009	Phillips et al.	D24/187

D598,114 S *	8/2009	Cryan	D24/187
D600,351 S *	9/2009	Phillips et al.	D24/187
D600,352 S *	9/2009	Cryan	D24/187
D605,774 S *	12/2009	Phillips et al.	D24/187
D606,660 S *	12/2009	Phillips et al.	D24/187
D607,570 S *	1/2010	Phillips et al.	D24/187
D609,353 S *	2/2010	Cryan	D24/187
D613,413 S *	4/2010	Gonopolskiy et al.	D24/187
D615,657 S *	5/2010	Anderson et al.	D24/187
D615,658 S *	5/2010	Anderson et al.	D24/187
D615,659 S *	5/2010	Anderson et al.	D24/187
D615,660 S *	5/2010	Anderson et al.	D24/187
D625,823 S *	10/2010	Schneider et al.	D24/187

* cited by examiner

Primary Examiner — T. Chase Nelson

Assistant Examiner — Mark Cavanna

(74) *Attorney, Agent, or Firm* — Hahn & Voight; Roger C. Hahn

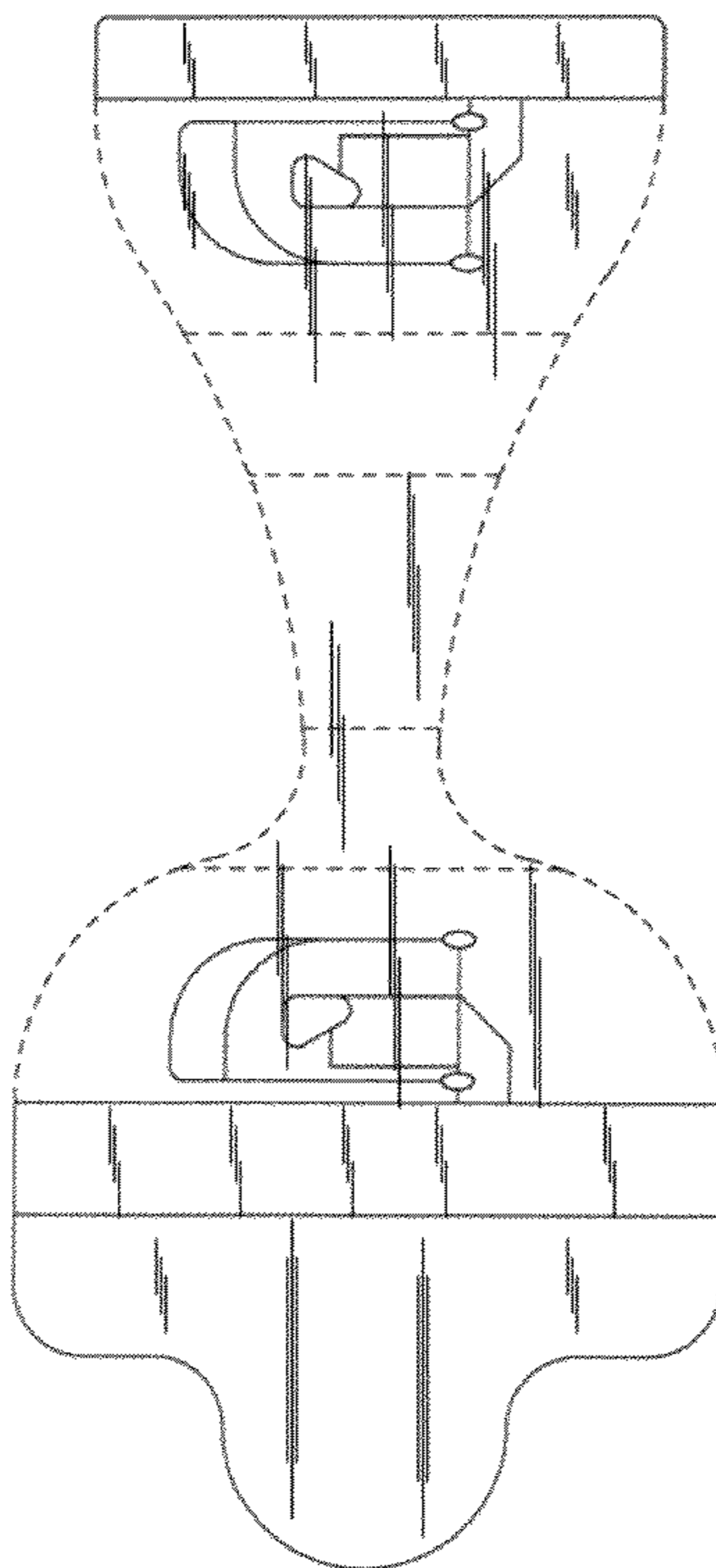
(57) **CLAIM**

We claim the ornamental design for an electrode pad, as shown and described.

DESCRIPTION

FIG. 1 is a plan view of an electrode pad; and, FIG. 2 is a side plan view thereof. The edge lines, shown in broken lines, at the change in plane between the top, sides, and bottom of the central portion of the electrode pad form no part of the claimed design. The elements shown in broken lines are for illustrative purposes only and form on part of the claimed design.

1 Claim, 1 Drawing Sheet



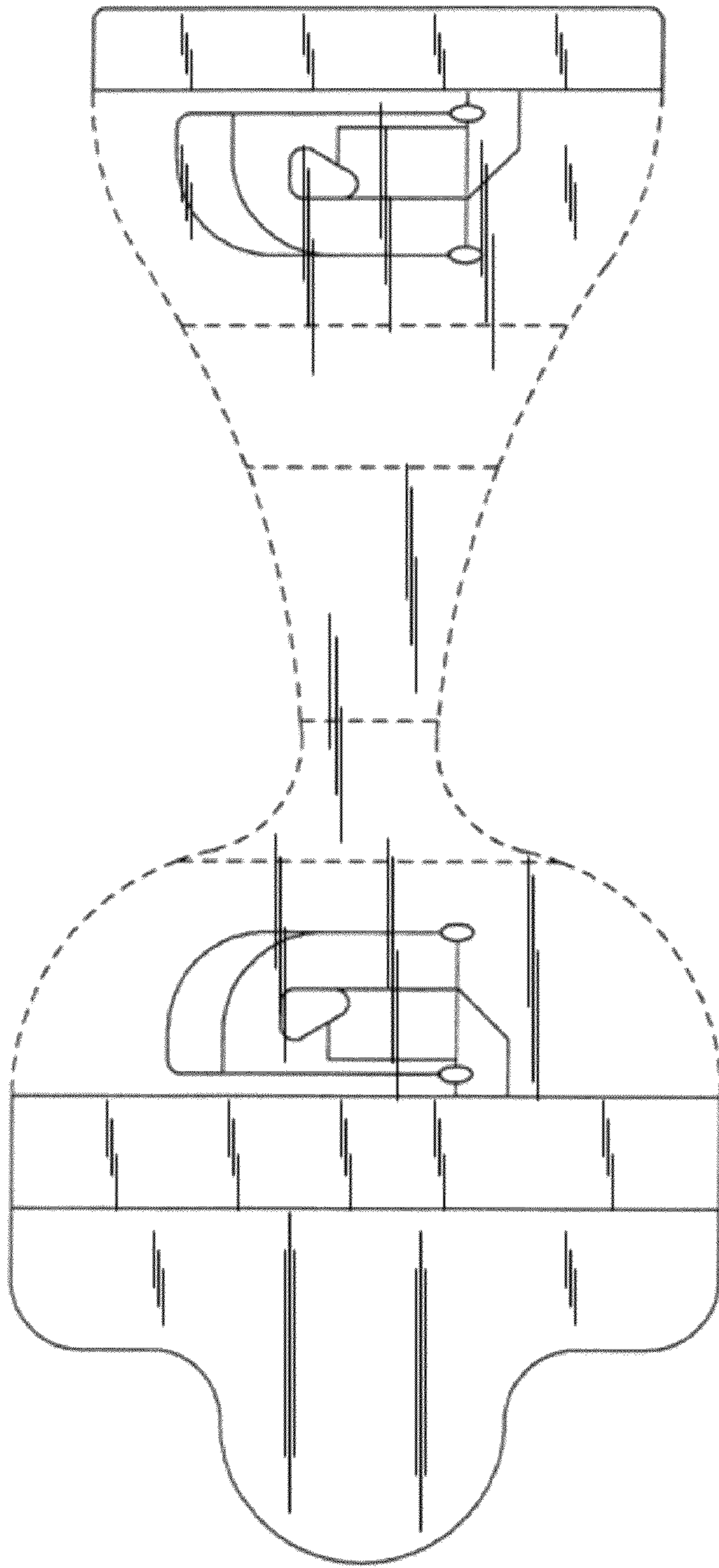


Fig. 1

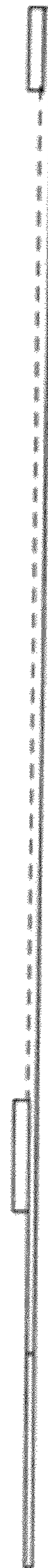


Fig. 2